



US00D604762S

(12) **United States Design Patent**
Parratt et al.

(10) **Patent No.:** **US D604,762 S**
(45) **Date of Patent:** **** Nov. 24, 2009**

(54) **SHREDDER**

(75) Inventors: **Chris Parratt**, Oxon (GB); **Andy Last**, Woodbridge (GB); **Terry Gander**, Bracknell (GB); **Steven Hickey**, Sheffield (GB); **James Henderson**, Lower Wick (GB)

(73) Assignee: **Fellowes, Inc.**, Itasca, IL (US)

(**) Term: **14 Years**

(21) Appl. No.: **29/324,982**

(22) Filed: **Sep. 24, 2008**

Related U.S. Application Data

(62) Division of application No. 29/302,833, filed on Jan. 25, 2008, now Pat. No. Des. 584,342.

(51) **LOC (9) Cl.** **18-03**

(52) **U.S. Cl.** **D18/34.9**

(58) **Field of Classification Search** D18/34.1-34.9;
241/100, 236, 101.78, 36; 83/613, 614, 623,
83/485, 57-68; 164/468; 30/294, 296.1,
30/275.4, 276; D23/359

See application file for complete search history.

(56) **References Cited**

U.S. PATENT DOCUMENTS

D437,343 S * 2/2001 Ho D18/34.6
D502,961 S * 3/2005 Lo D18/34.6
7,195,185 B2 * 3/2007 Matlin 241/36
D546,872 S * 7/2007 Kent et al. D18/34.5
D547,366 S * 7/2007 Kent et al. D18/34.5

D557,734 S * 12/2007 Ho D18/34.6
7,344,096 B2 * 3/2008 Matlin et al. 241/36
D586,846 S * 2/2009 Kent et al. D18/34.5
D591,335 S * 4/2009 Holderfield et al. D18/34.9
7,513,448 B2 * 4/2009 Ko 241/100

OTHER PUBLICATIONS

Color product information pages obtained from Internet: www.jinpex.cn, Jul. 1, 2007, 6 pages.

* cited by examiner

Primary Examiner—Charles A Rademaker

(74) *Attorney, Agent, or Firm*—Pillsbury Winthrop Shaw Pittman LLP

(57) **CLAIM**

The ornamental design for a shredder, as shown and described.

DESCRIPTION

FIG. 1 is a perspective view of a shredder showing our new design;

FIG. 2 is a top plan view thereof;

FIG. 3 is a bottom plan view thereof;

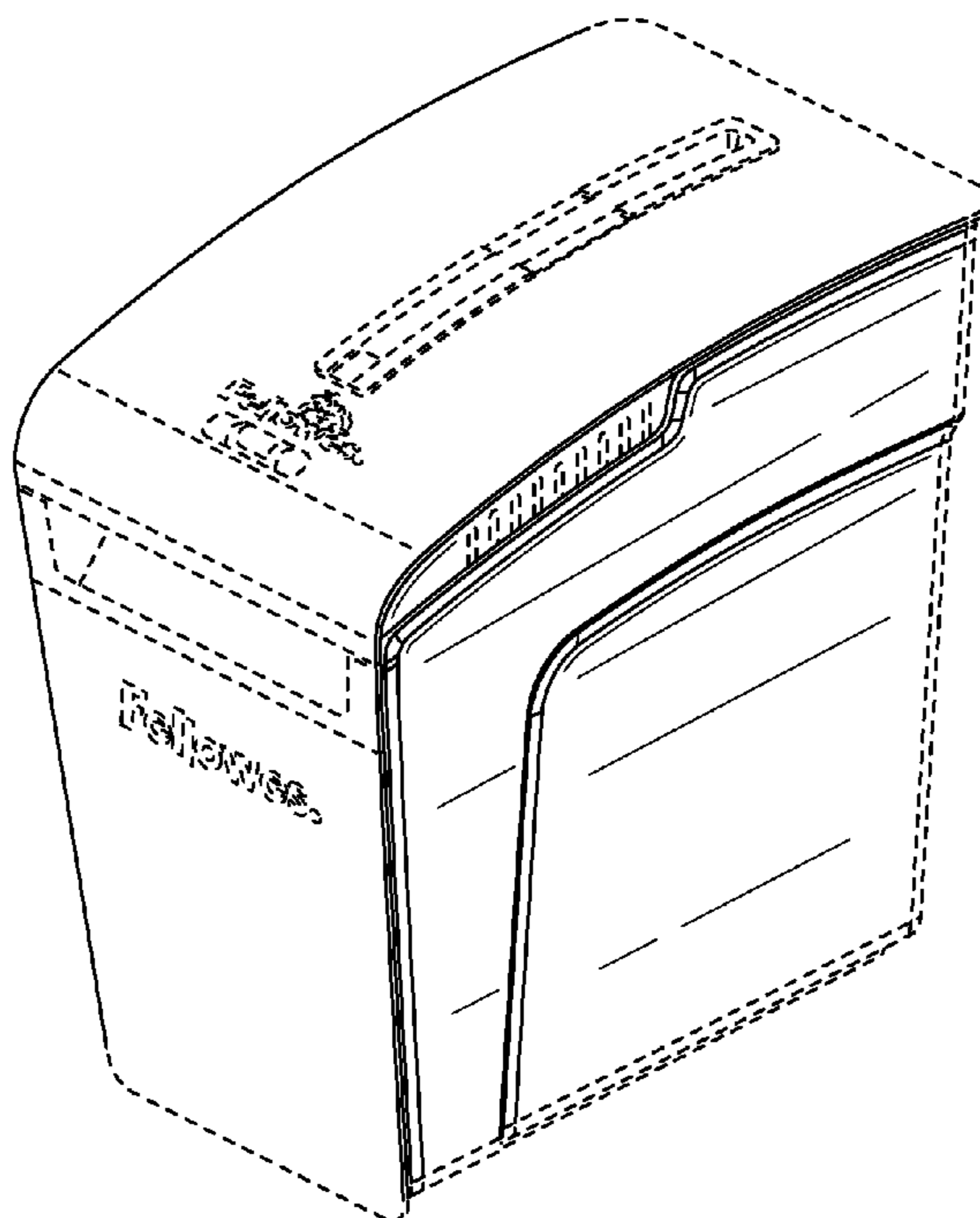
FIG. 4 is a front elevation thereof;

FIG. 5 is a rear elevation thereof; and,

FIG. 6 is a left side elevation thereof, the side opposite being a mirror image.

The broken lines shown in the figure drawings are included for the purpose of illustrating environmental structure and form no part of the claimed design.

1 Claim, 3 Drawing Sheets



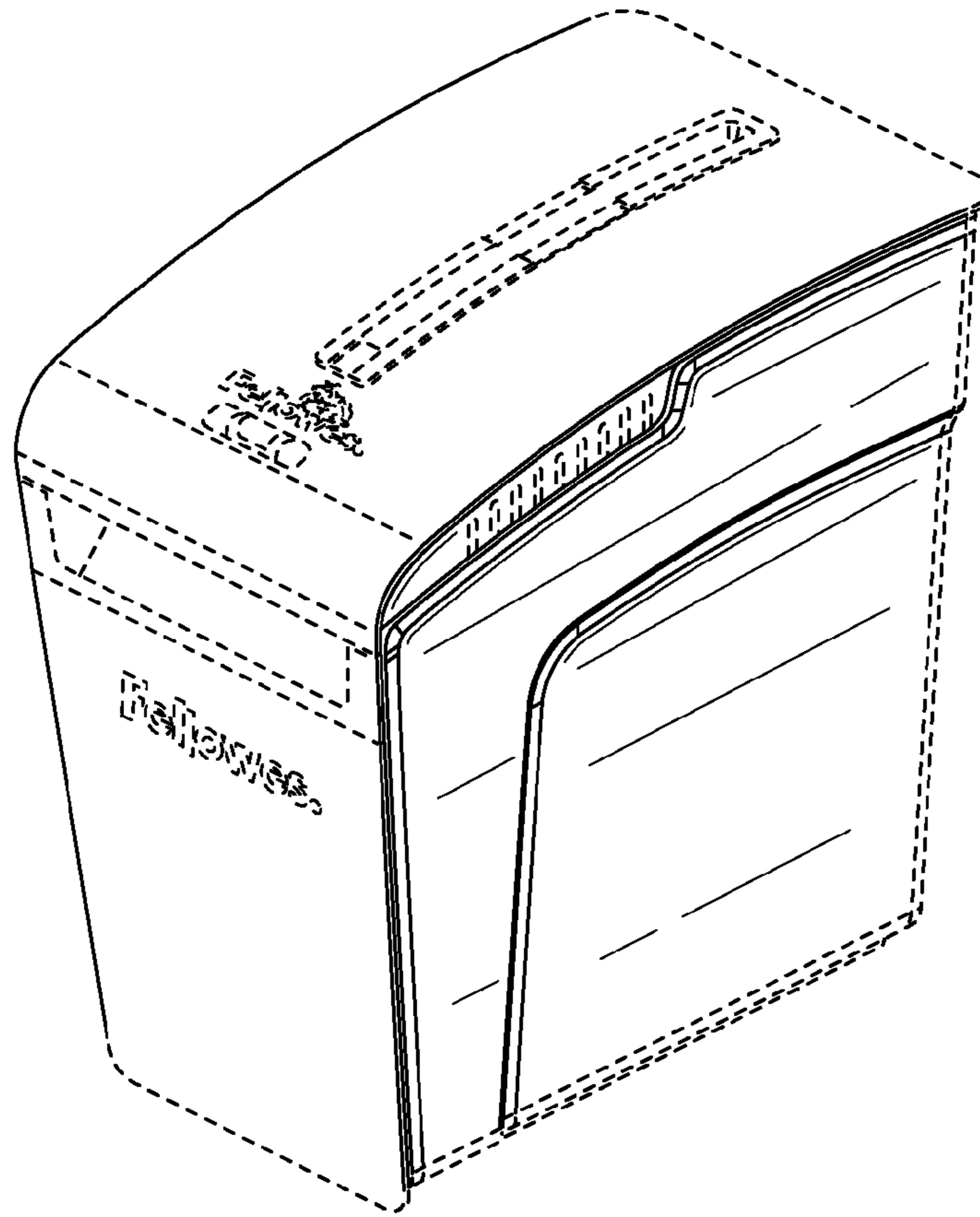


FIG. 1

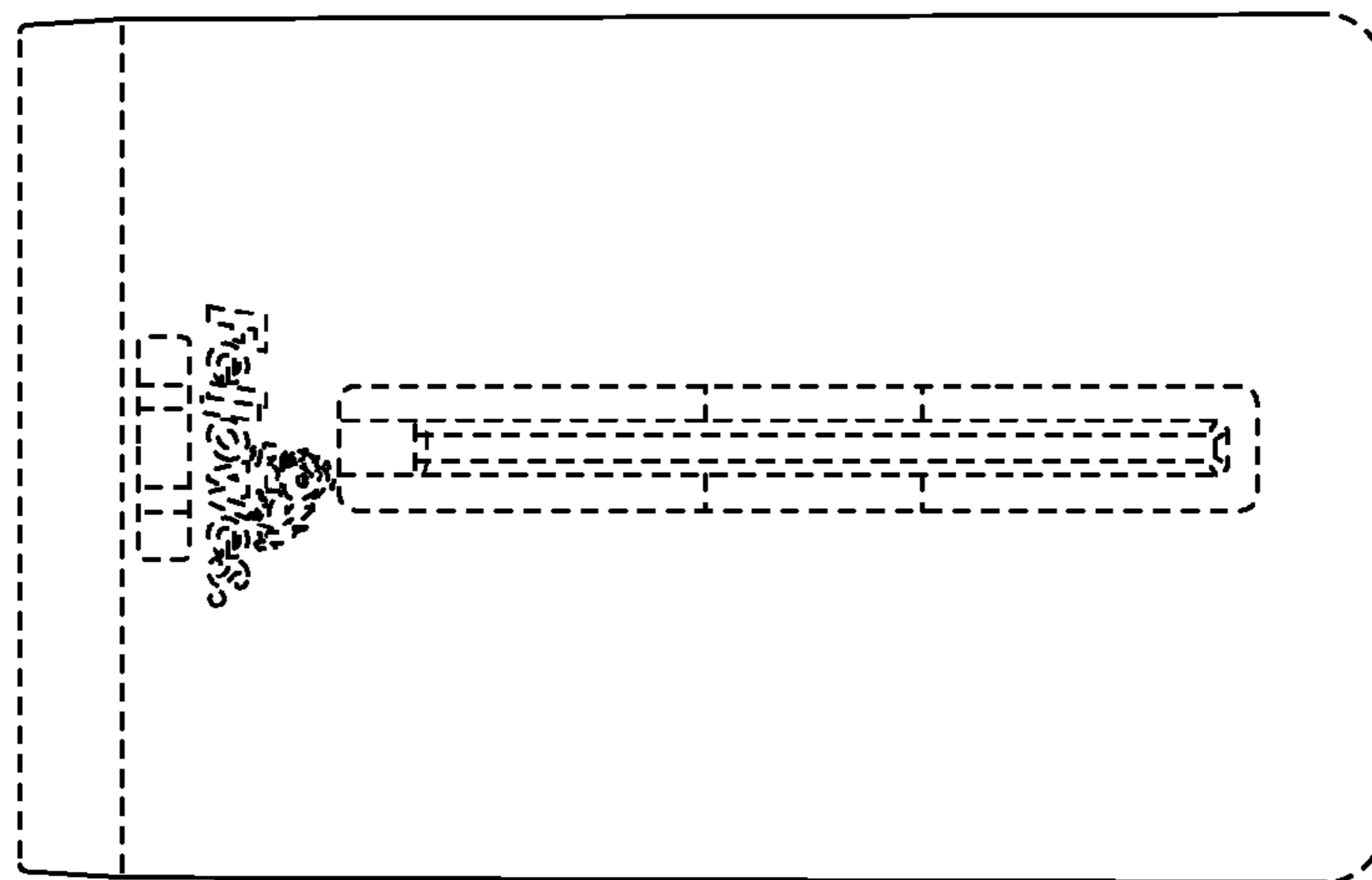


FIG. 2

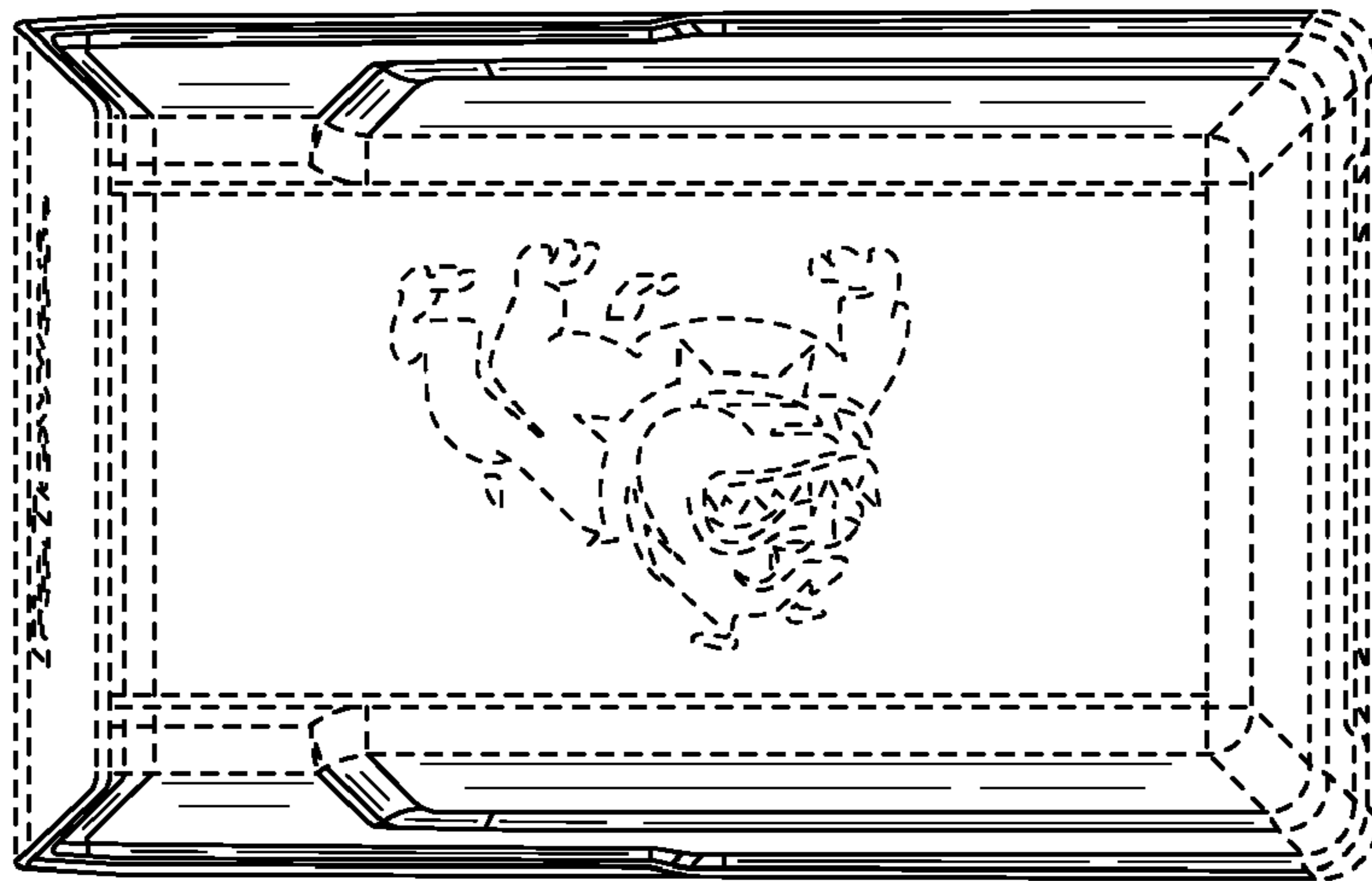


FIG. 3

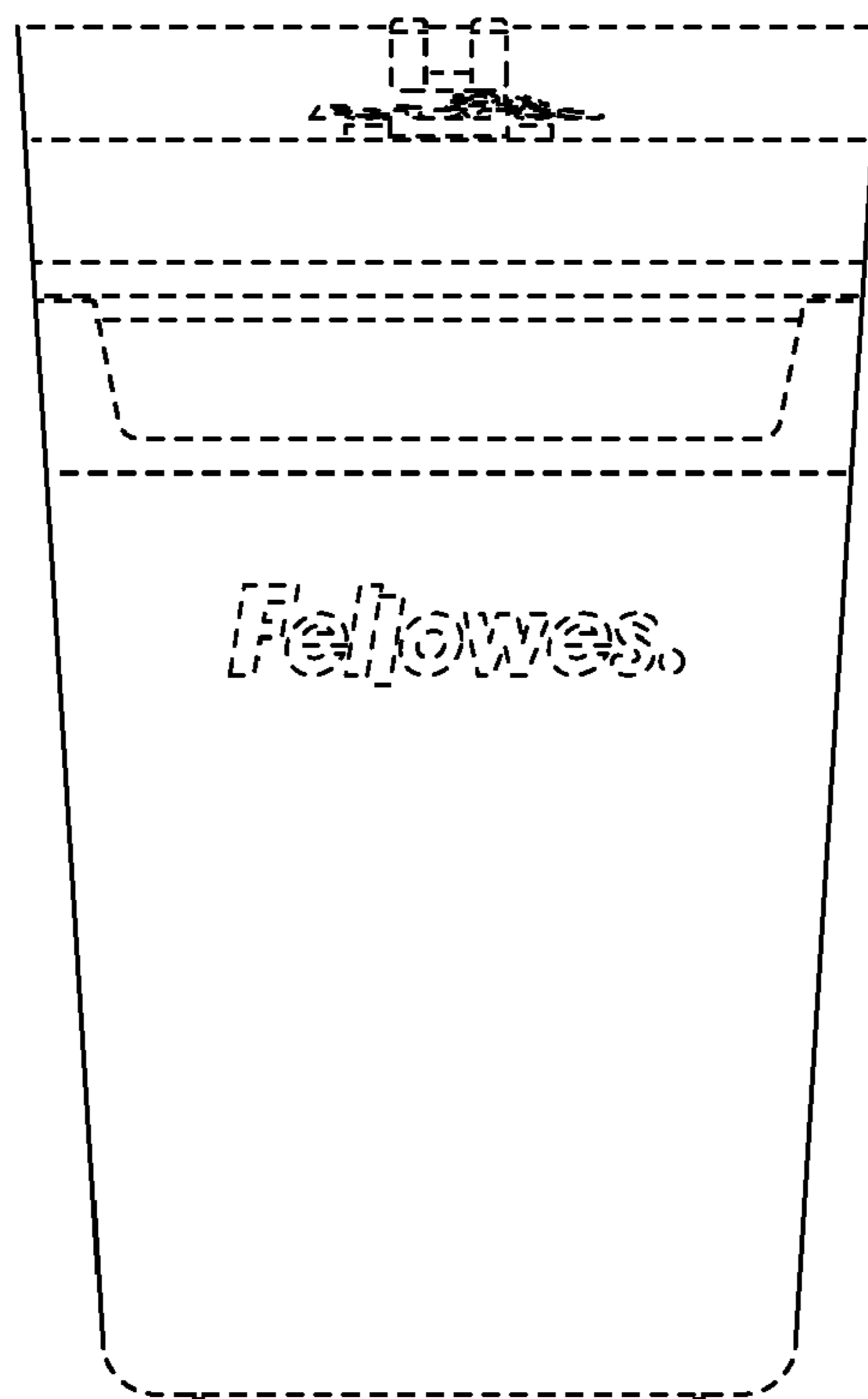


FIG. 4

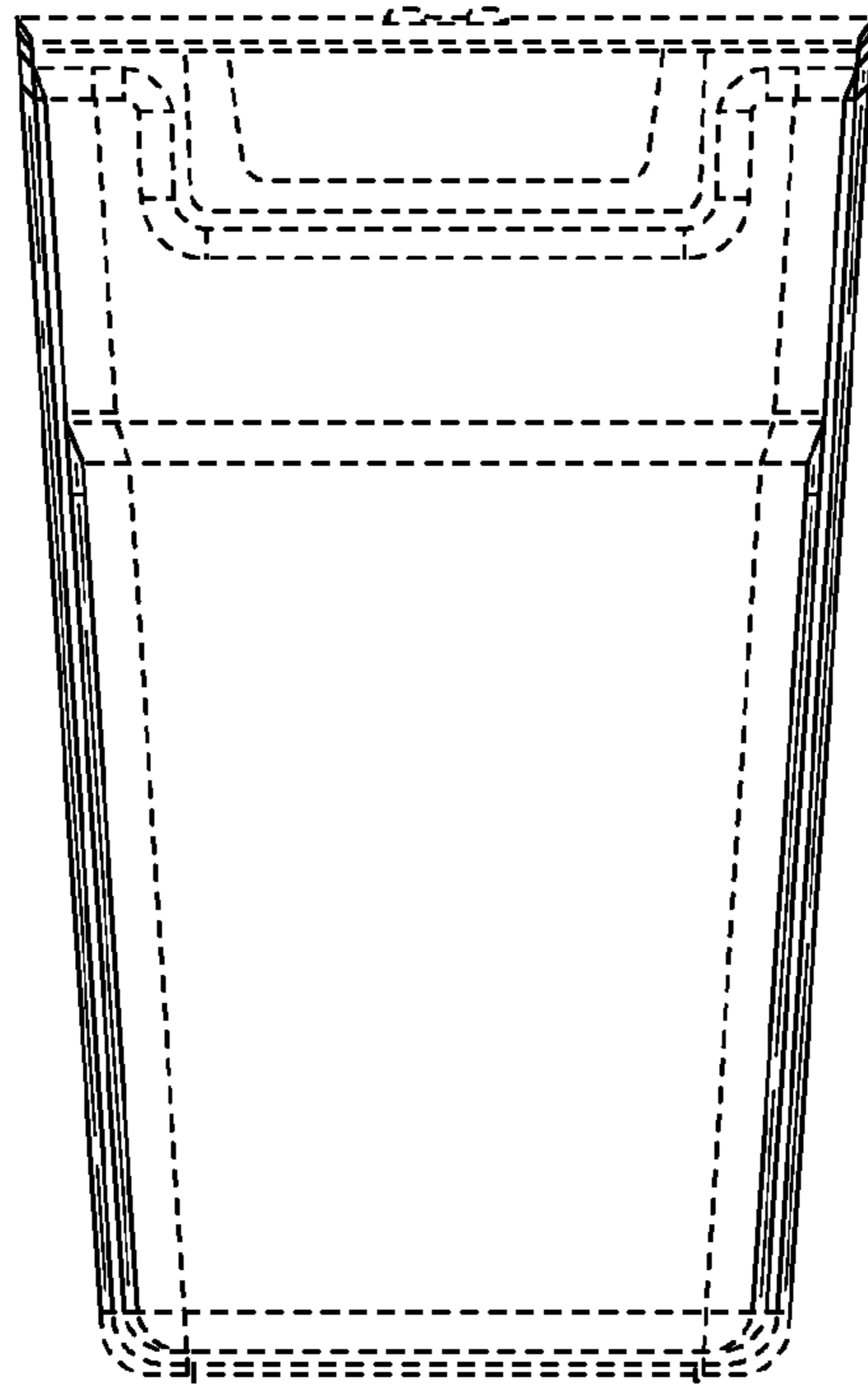


FIG. 5

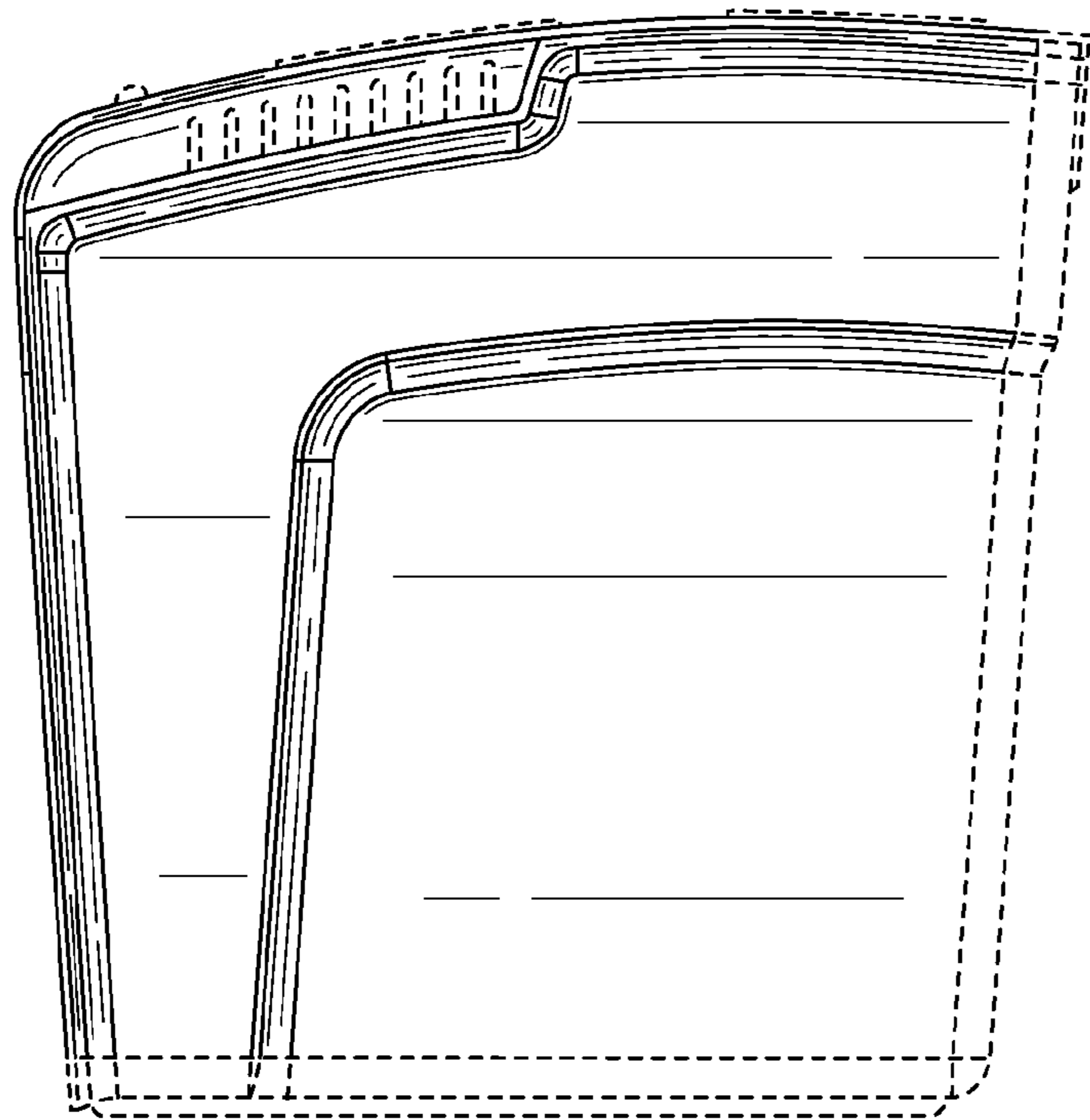


FIG. 6