

US00D604760S

(12) **United States Design Patent**  
**Small**

(10) **Patent No.:** **US D604,760 S**

(45) **Date of Patent:** **\*\* Nov. 24, 2009**

(54) **GUITAR TUNER**

(75) Inventor: **Craig Small**, Framingham, MA (US)

(73) Assignee: **First Act Inc.**, Boston, MA (US)

(\*\*) Term: **14 Years**

(21) Appl. No.: **29/329,131**

(22) Filed: **Dec. 9, 2008**

(51) **LOC (9) Cl.** ..... **17-03**

(52) **U.S. Cl.** ..... **D17/20**

(58) **Field of Classification Search** ..... D17/20,  
D17/21, 99; 84/200, 312 R, 312 P, 454, 455,  
84/DIG. 18

See application file for complete search history.

(56) **References Cited**

**U.S. PATENT DOCUMENTS**

D343,186 S *	1/1994	Omuro	.....	D17/99
D387,798 S *	12/1997	Miura	.....	D17/99
D472,551 S *	4/2003	Griffin	.....	D14/346
D487,905 S *	3/2004	Nelson et al.	.....	D17/99
6,797,872 B1 *	9/2004	Catalano et al.	.....	84/454
D518,086 S *	3/2006	Ito	.....	D17/99

D561,241 S \* 2/2008 Ridinger ..... D17/99

\* cited by examiner

*Primary Examiner*—Ian Simmons

*Assistant Examiner*—R. Johnson

(74) *Attorney, Agent, or Firm*—Townsend and Townsend and Crew LLP

(57) **CLAIM**

The ornamental design for guitar tuner, as shown and described.

**DESCRIPTION**

FIG. 1 is a perspective view of a guitar tuner showing the new design;

FIG. 2 is a front elevational view thereof;

FIG. 3 is a rear elevational view thereof;

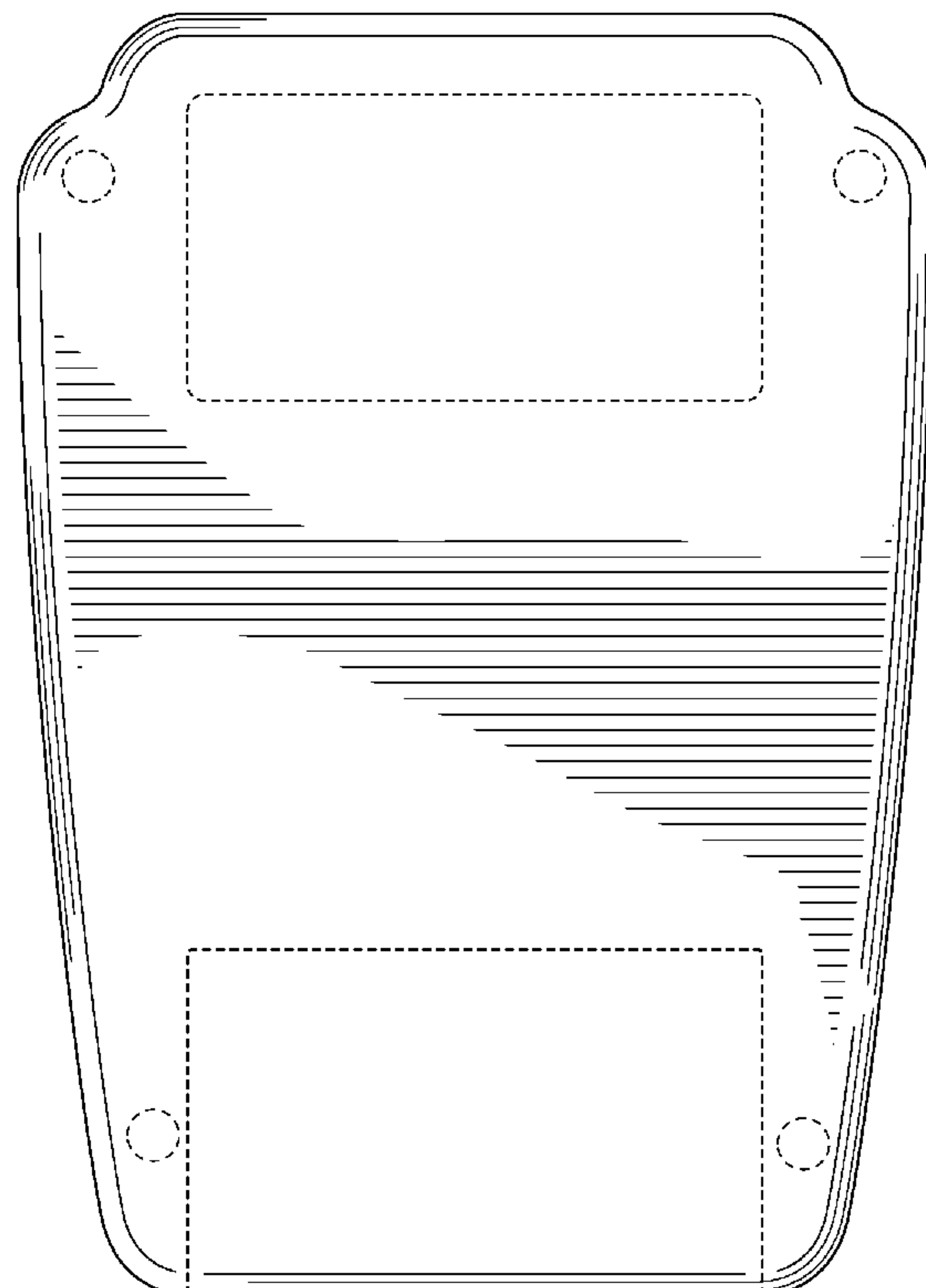
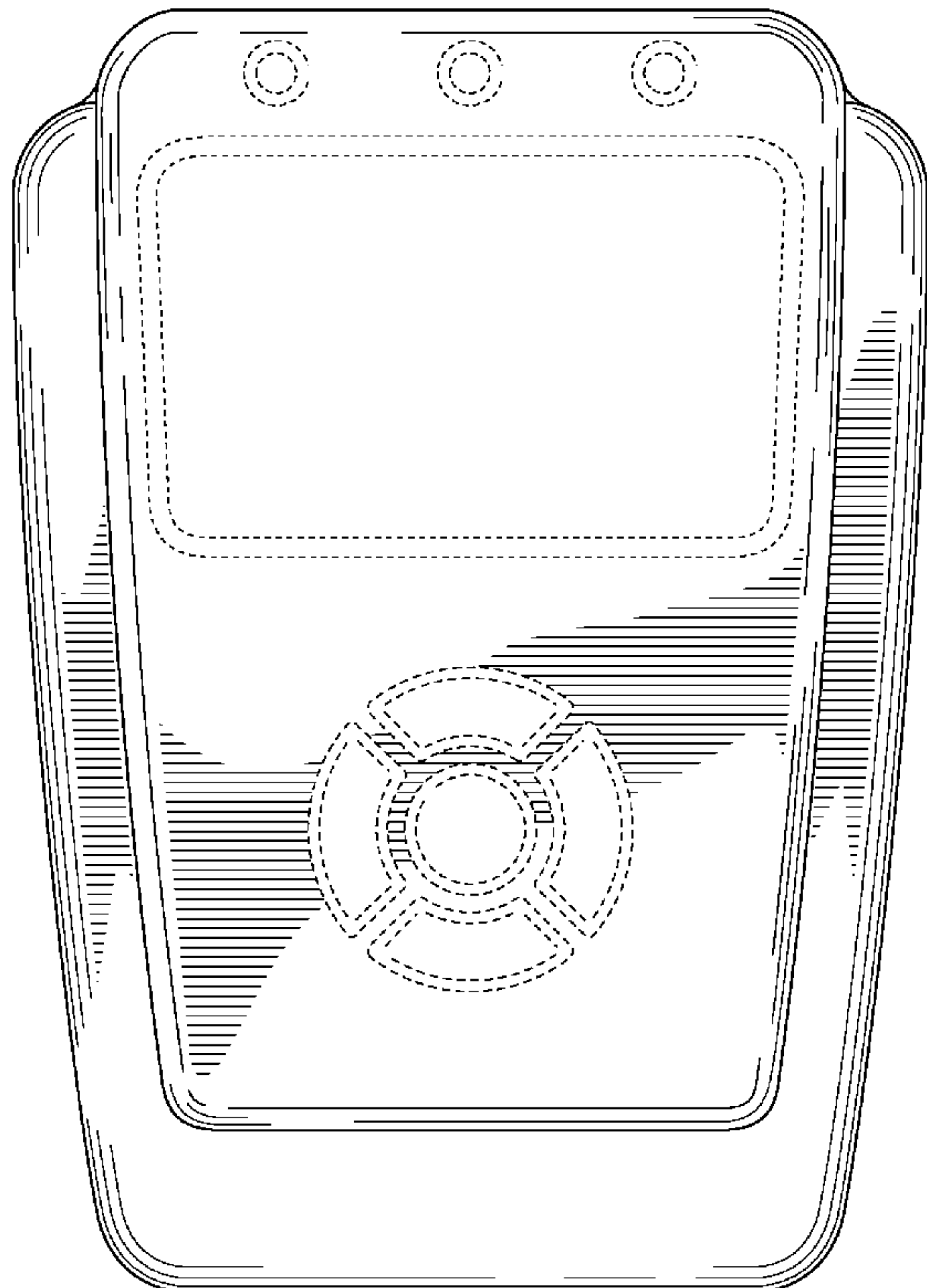
FIG. 4 is a left side elevational view thereof, the right side elevational view being a mirror image of the left side elevational view;

FIG. 5 is a top plan view thereof; and,

FIG. 6 is a bottom plan view thereof.

The portions of the article in broken lines are shown to illustrate the environment only and form no part of the claimed design.

**1 Claim, 5 Drawing Sheets**



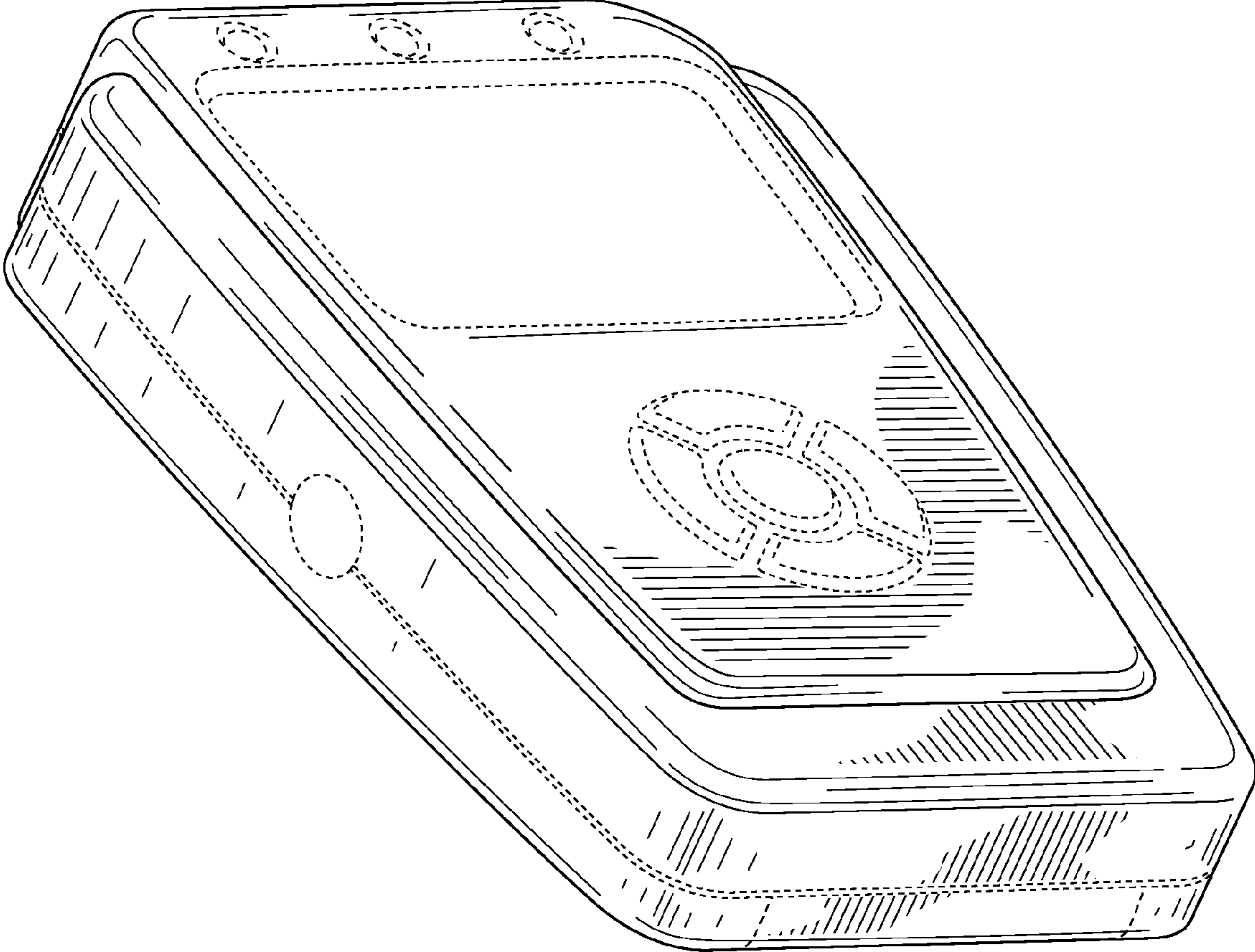
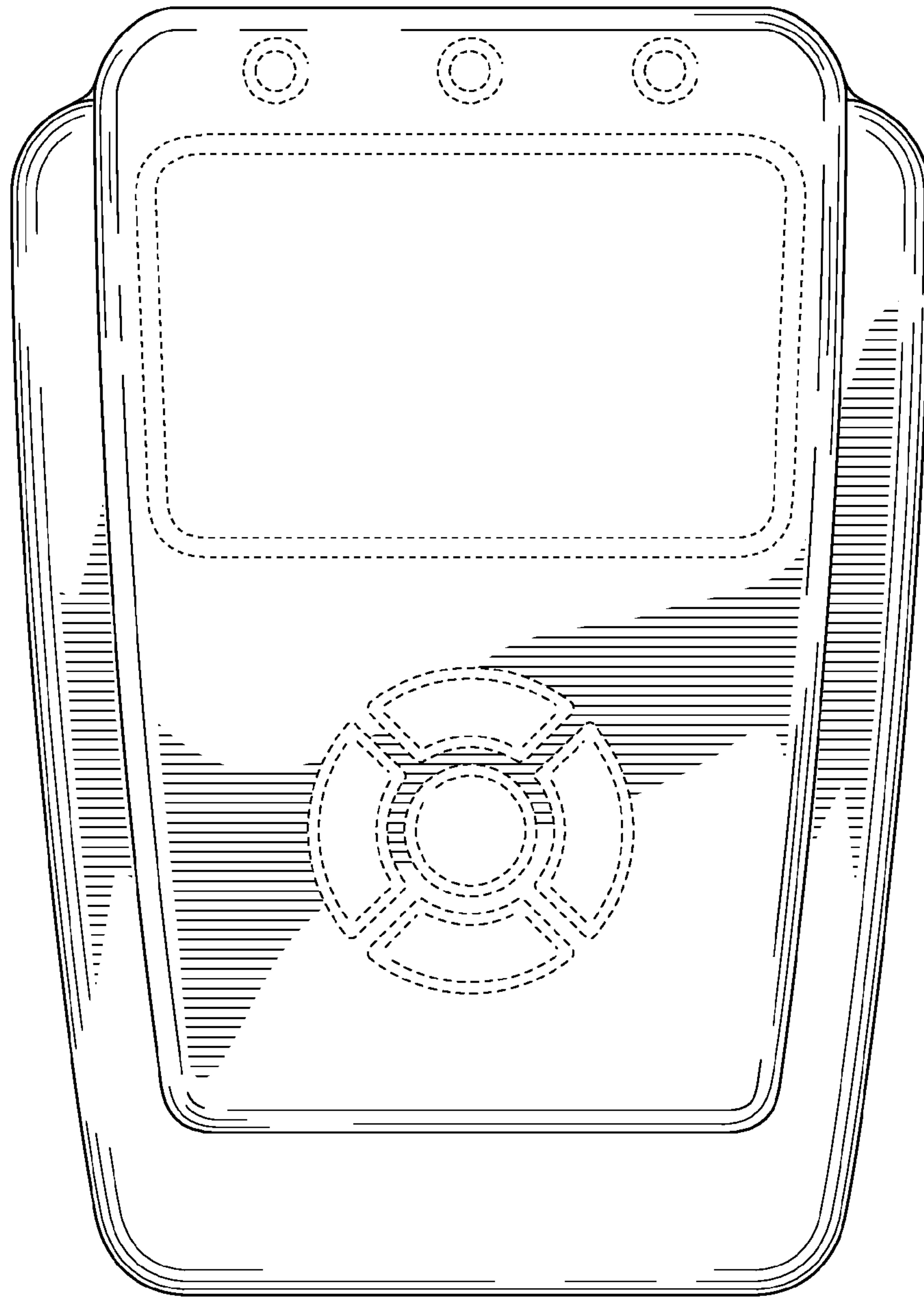
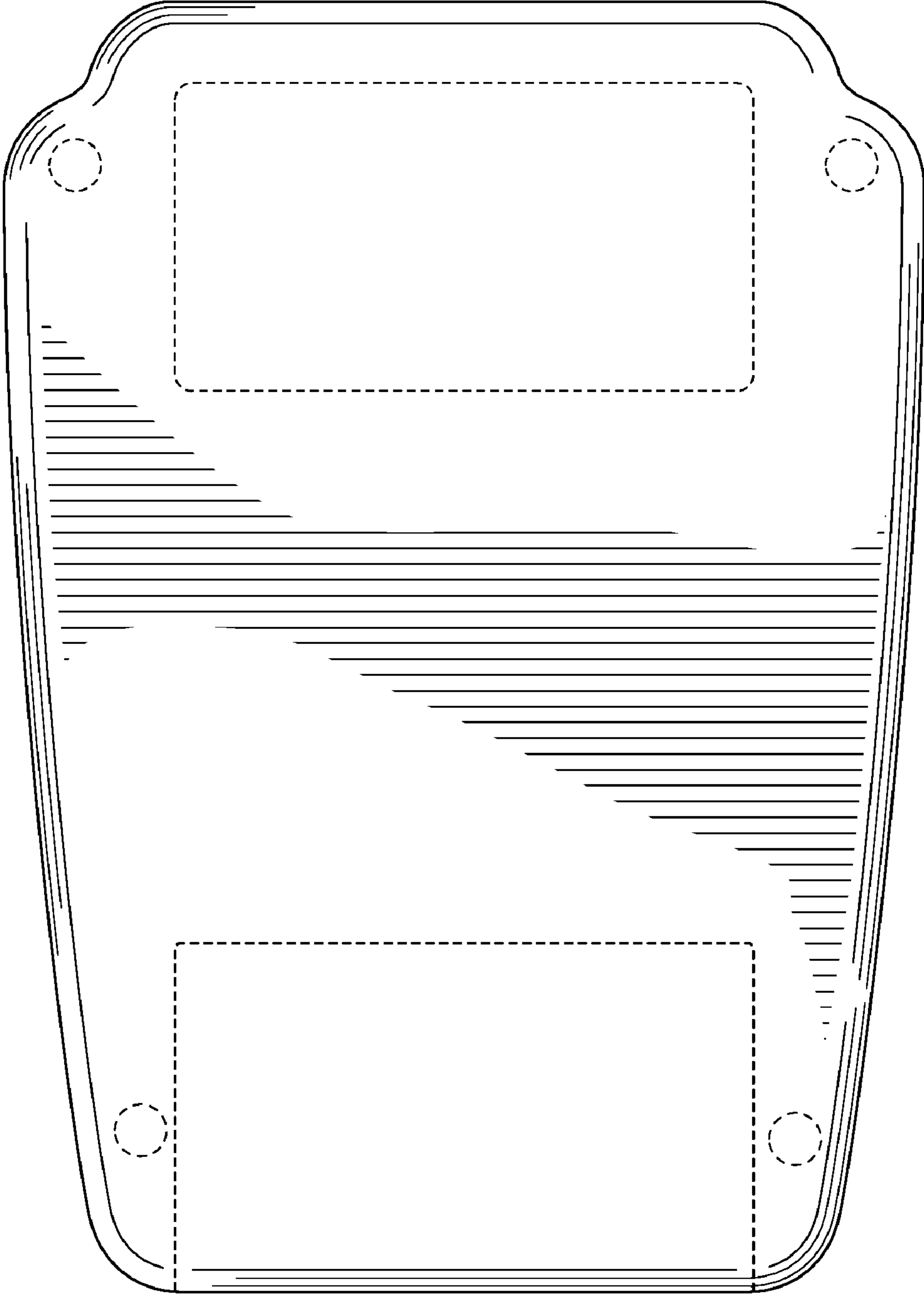


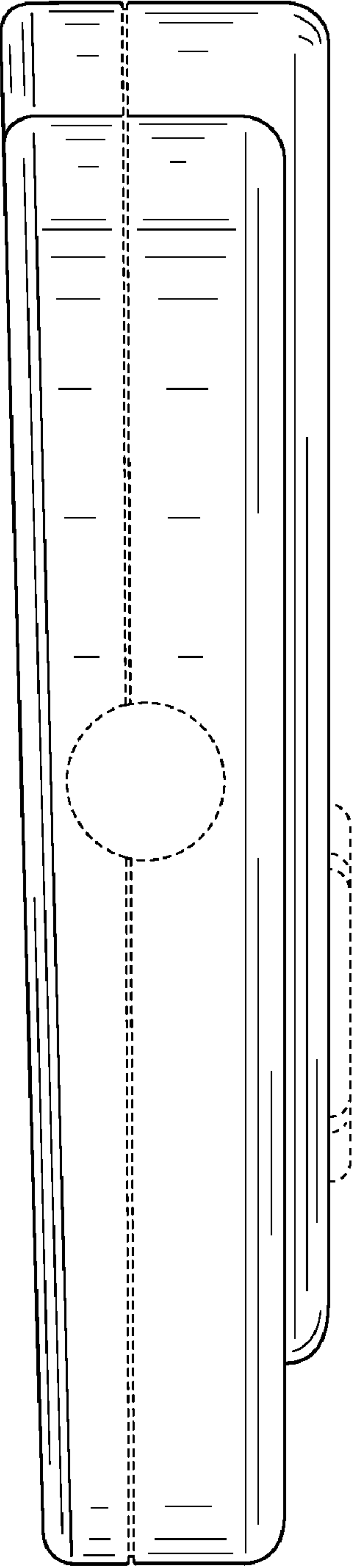
FIG. 1



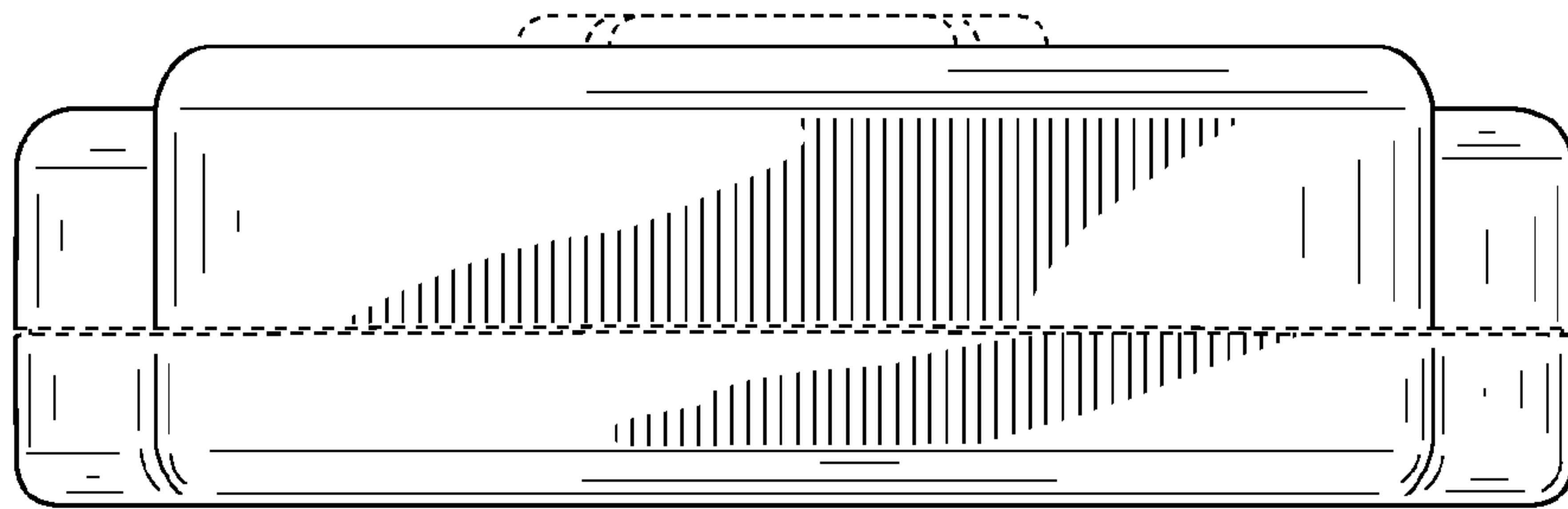
**FIG. 2**



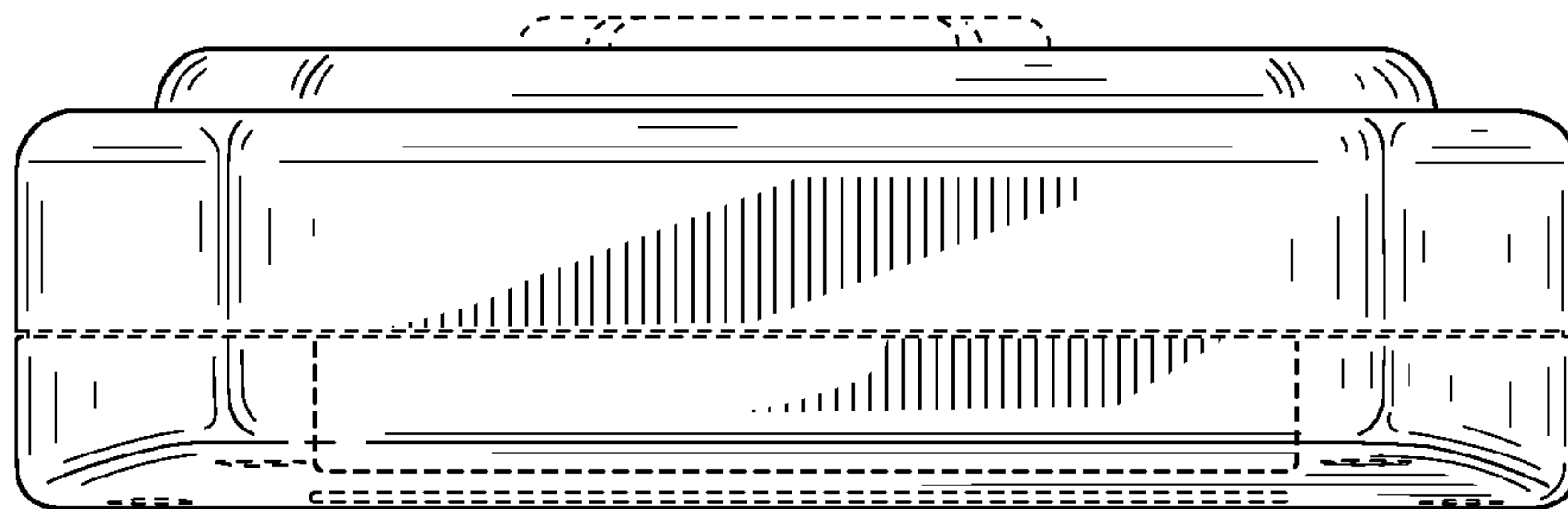
**FIG. 3**



**FIG. 4**



**FIG. 5**



**FIG. 6**