



US00D604754S

(12) **United States Design Patent**  
**Messner**

(10) **Patent No.:** **US D604,754 S**  
(45) **Date of Patent:** **\*\* Nov. 24, 2009**

(54) **BINOCULARS**

(75) Inventor: **Barry Messner**, Anaheim Hills, CA  
(US)

(73) Assignee: **MerchSource, LLC**, Foothill Ranch, CA  
(US)

(\*\*) Term: **14 Years**

(21) Appl. No.: **29/325,505**

(22) Filed: **Oct. 1, 2008**

(51) **LOC (9) Cl.** ..... **16-06**

(52) **U.S. Cl.** ..... **D16/133**

(58) **Field of Classification Search** ..... D16/133,  
D16/202, 208, 218; D14/168; 359/407,  
359/410, 412, 415, 418, 419, 432, 363, 630;  
396/432; 352/131; 250/214 VT; 348/61;  
D21/483

See application file for complete search history.

(56) **References Cited**

**U.S. PATENT DOCUMENTS**

2,013,288	A *	9/1935	Porter	.....	352/131
2,882,791	A *	4/1959	Moller et al.	.....	359/363
4,067,027	A *	1/1978	Yamazaki	.....	396/432
D259,569	S *	6/1981	Nishioka	.....	D16/133
D299,724	S *	2/1989	Aoki	.....	D16/133
D338,027	S *	8/1993	Ushiyama	.....	D16/133
D353,388	S *	12/1994	Matsushita	.....	D16/133
5,579,165	A *	11/1996	Michel et al.	.....	359/630
5,777,785	A *	7/1998	Ishikawa	.....	359/425
6,067,190	A *	5/2000	Kelly	.....	359/407
6,088,053	A *	7/2000	Hammack et al.	.....	348/61
6,476,963	B1 *	11/2002	Chen	.....	359/412
D484,900	S *	1/2004	Lee et al.	.....	D16/133
D488,178	S *	4/2004	Huang	.....	D16/218
D496,672	S *	9/2004	Hines et al.	.....	D16/133
D496,673	S *	9/2004	Hines et al.	.....	D16/133

D502,201	S *	2/2005	Hines et al.	.....	D16/208
D504,144	S *	4/2005	Lee et al.	.....	D16/133
D506,486	S *	6/2005	Kuo	.....	D16/133
D513,620	S *	1/2006	Kuo	.....	D16/133
D538,317	S *	3/2007	Mullett et al.	.....	D16/133
D544,897	S *	6/2007	Mullett et al.	.....	D16/133
7,271,954	B2 *	9/2007	Perger et al.	.....	359/407

\* cited by examiner

*Primary Examiner*—Paula Greene

(74) *Attorney, Agent, or Firm*—The Eclipse Group LLP

(57) **CLAIM**

The ornamental design for binoculars, as shown and described.

**DESCRIPTION**

FIG. 1 is a front perspective view of binoculars.

FIG. 2 is a rear perspective view of the binoculars illustrated in FIG. 1.

FIG. 3 is a front elevational view of the binoculars illustrated in FIG. 1.

FIG. 4 is a rear elevational view of the binoculars illustrated in FIG. 1.

FIG. 5 is a right side view of the binoculars illustrated in FIG. 1.

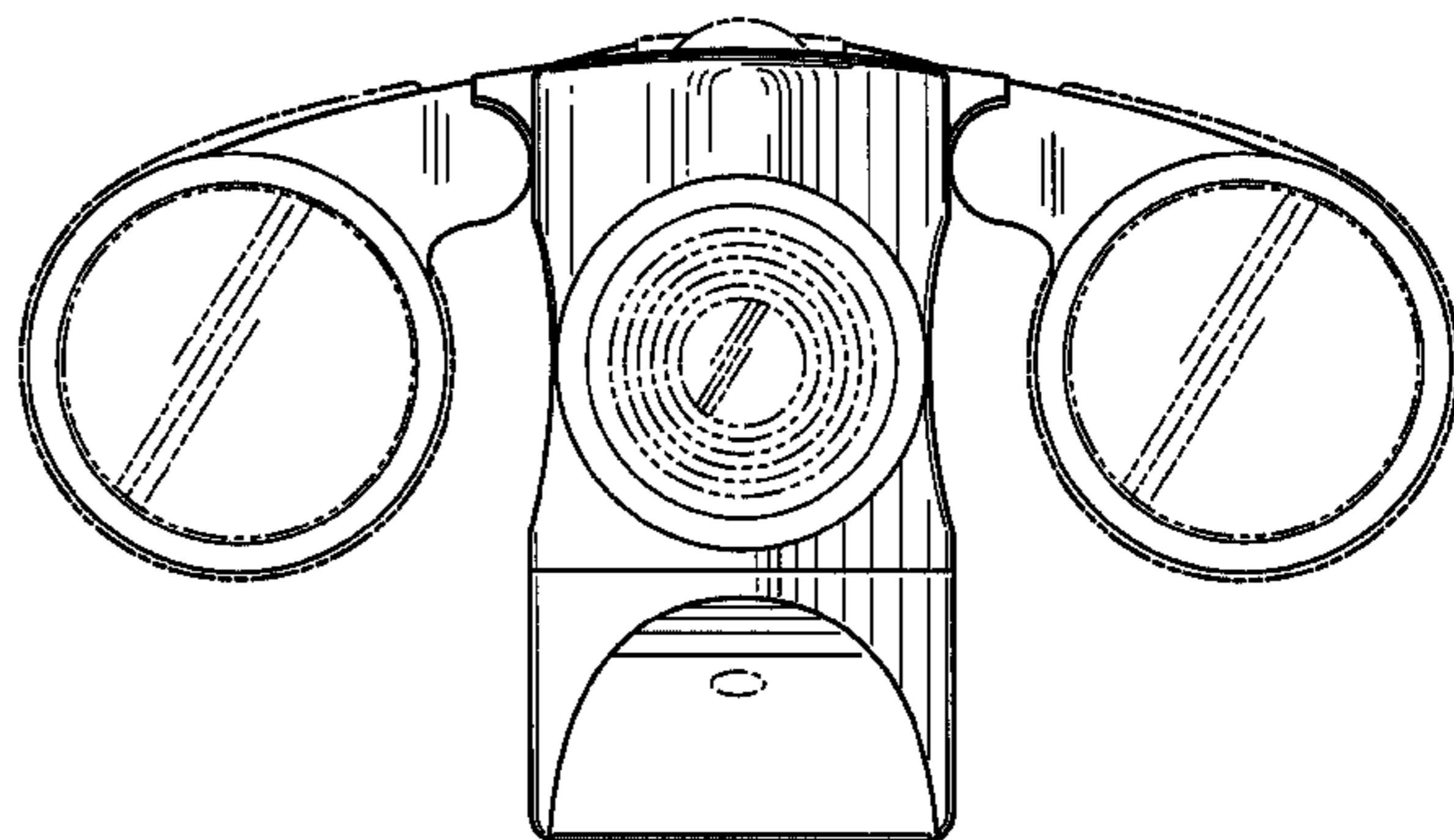
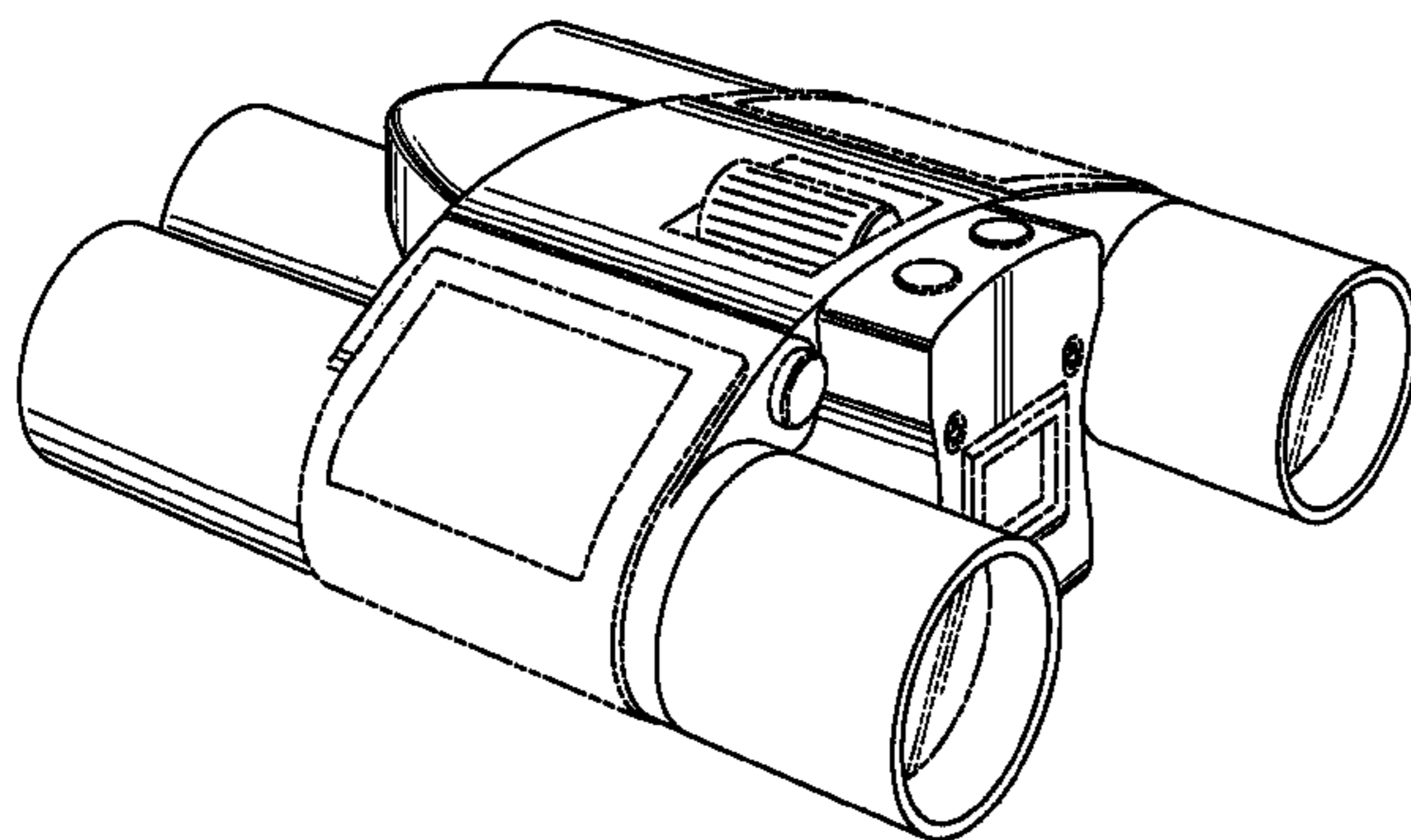
FIG. 6 is a left side view of the binoculars illustrated in FIG. 1.

FIG. 7 is a top plan view of the binoculars illustrated in FIG. 1; and,

FIG. 8 is a bottom plan view of the binoculars illustrated in FIG. 1.

The portions of the binoculars body in broken lines are shown for illustrative purposes only and form no part of the claimed design.

**1 Claim, 8 Drawing Sheets**



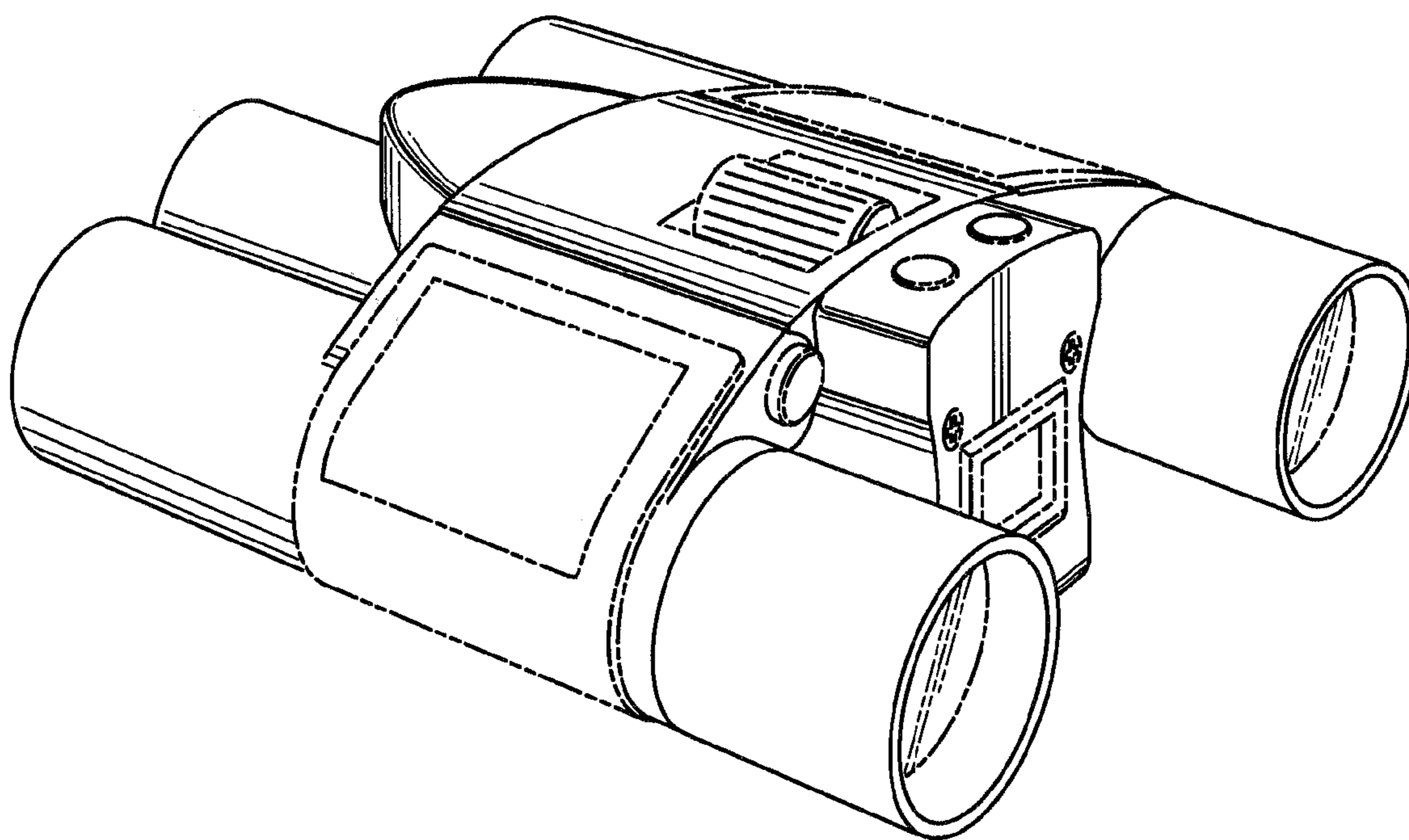


Fig. 1

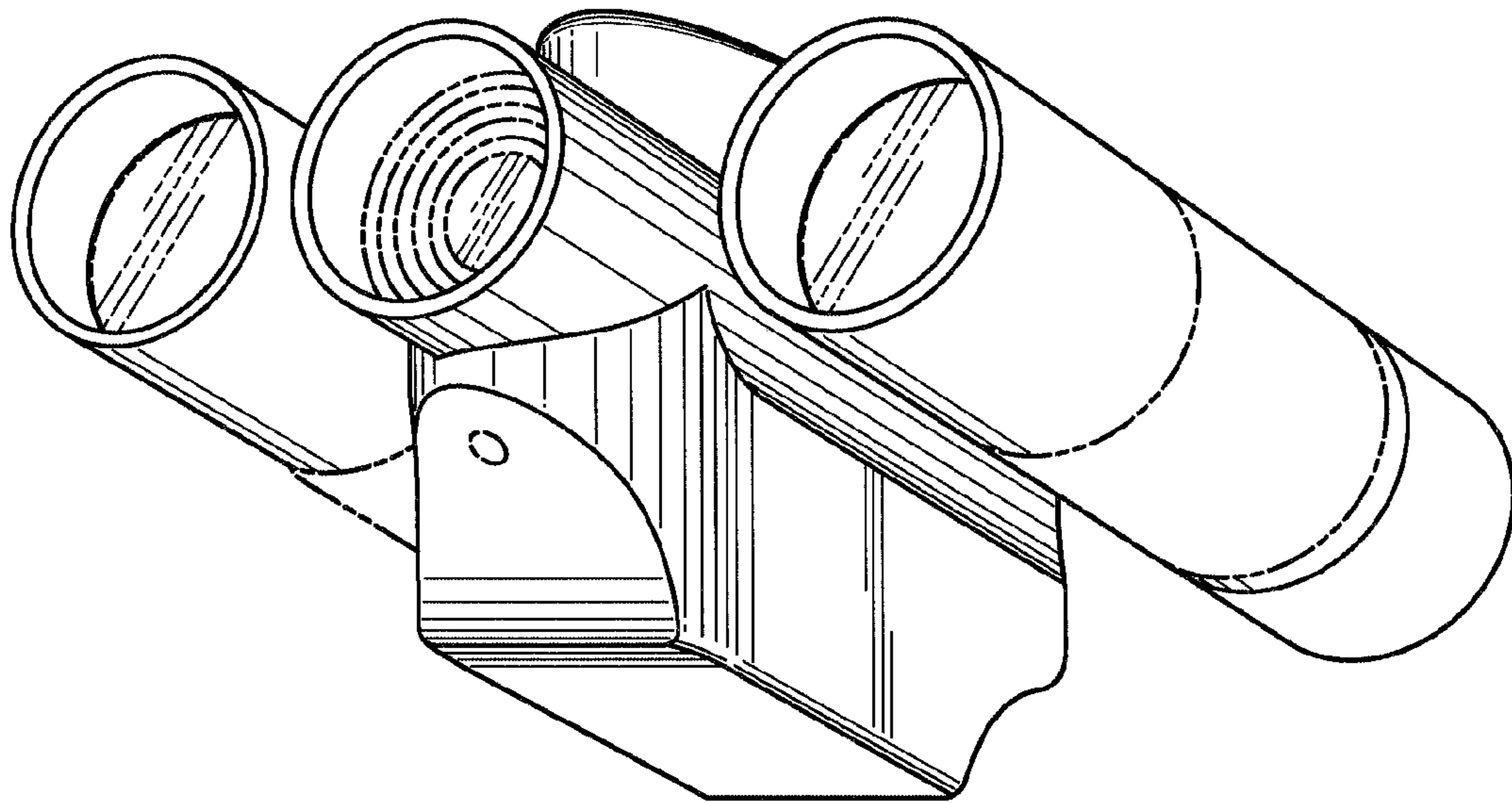


Fig. 2

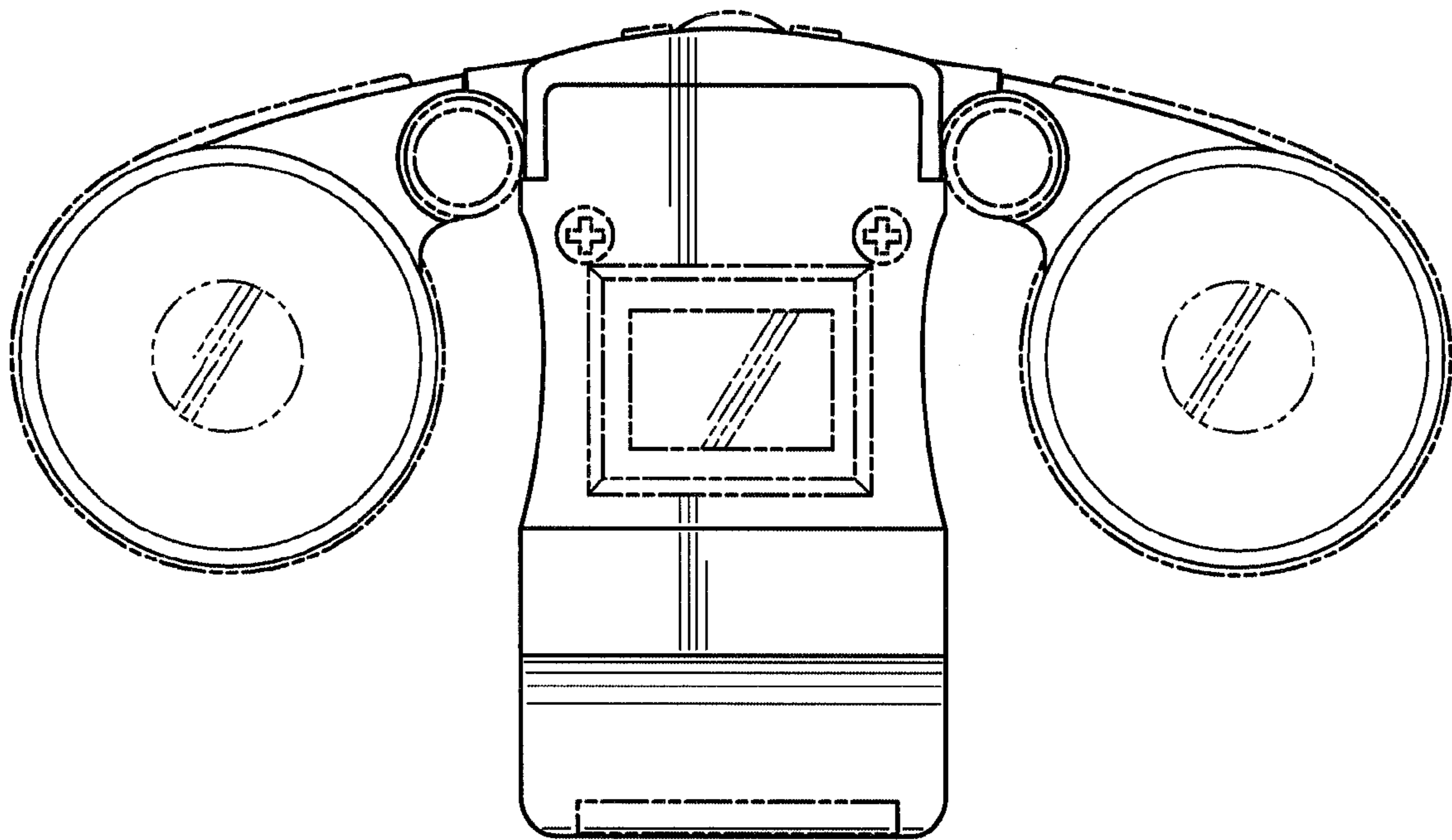


Fig. 3

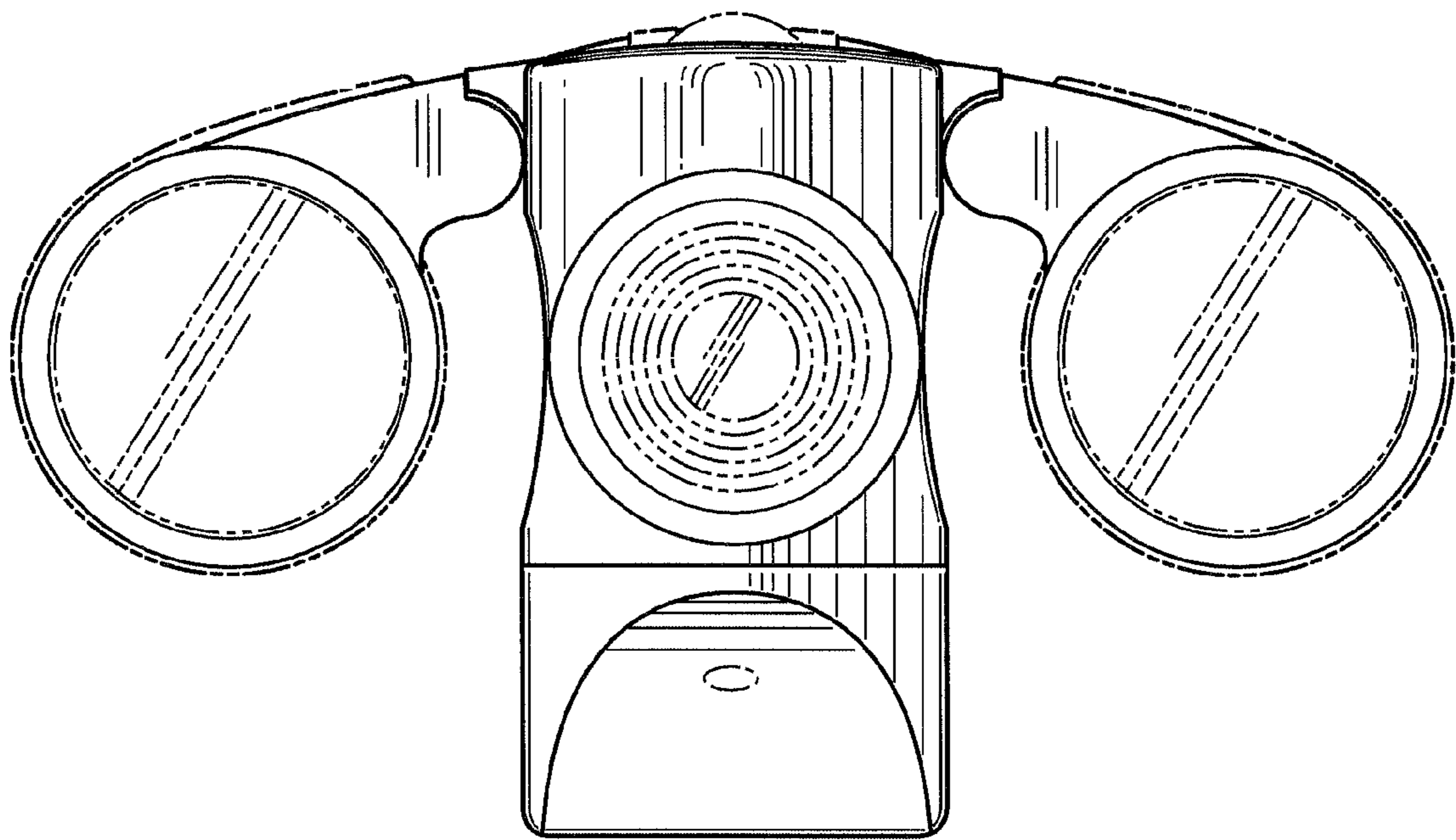


Fig. 4

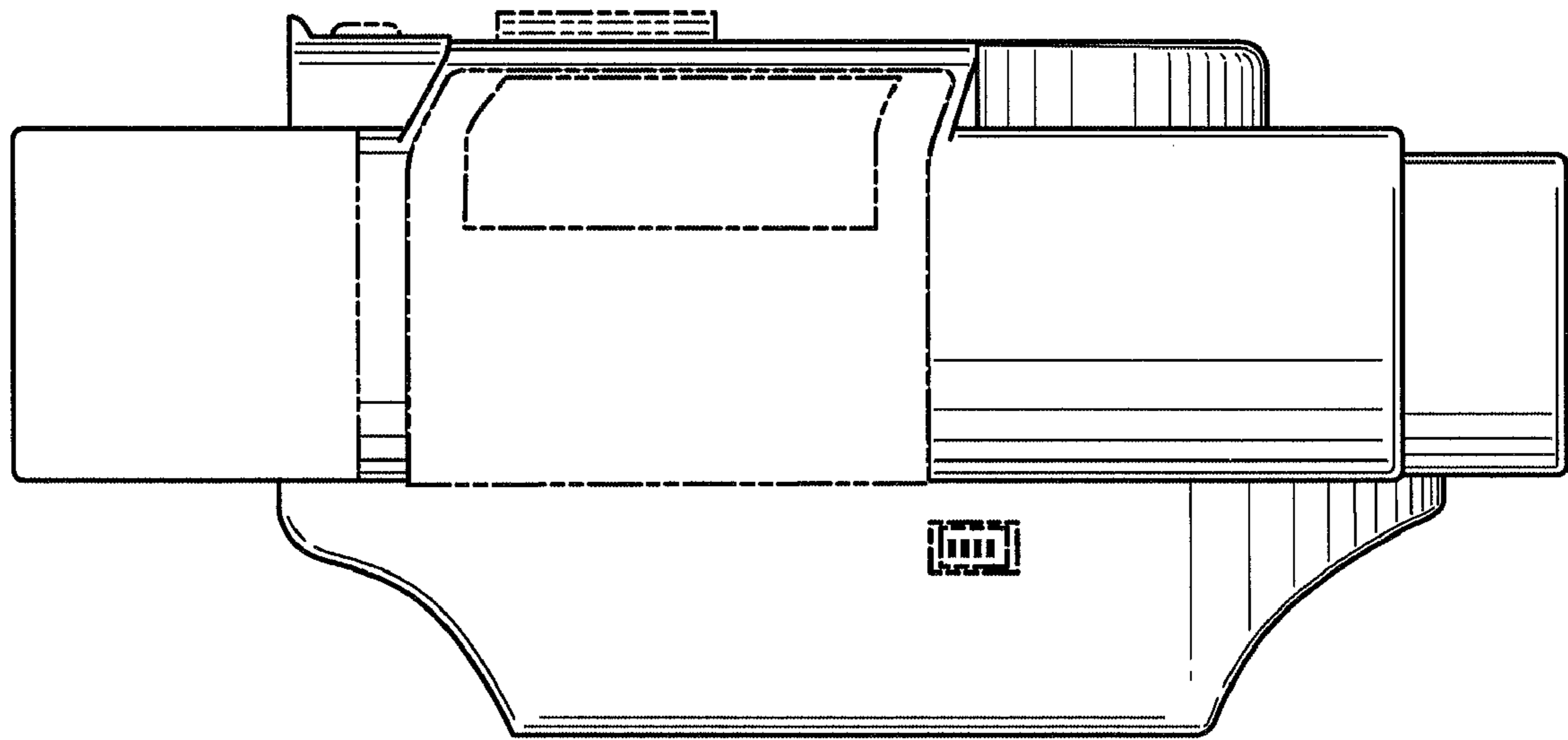


Fig. 5

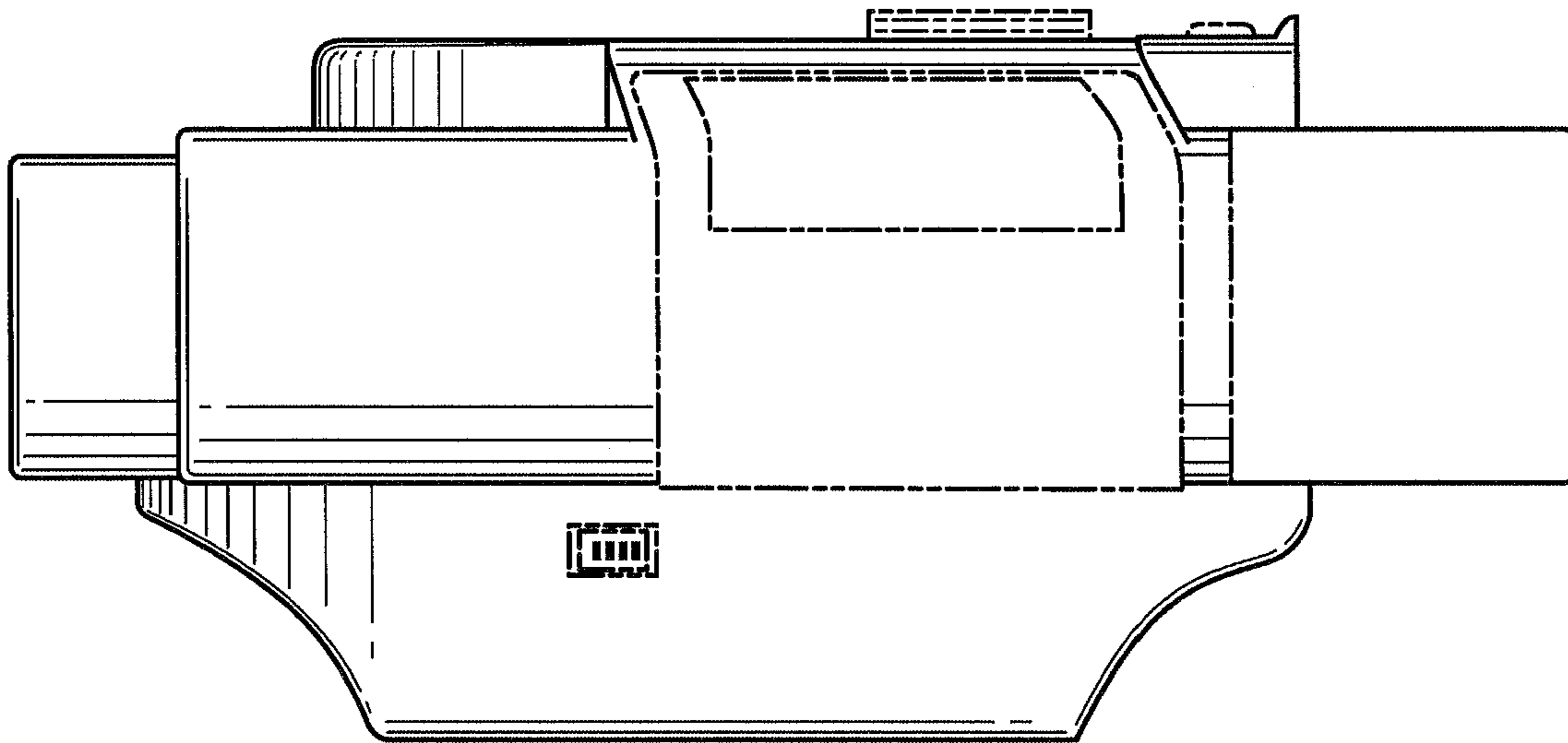


Fig. 6

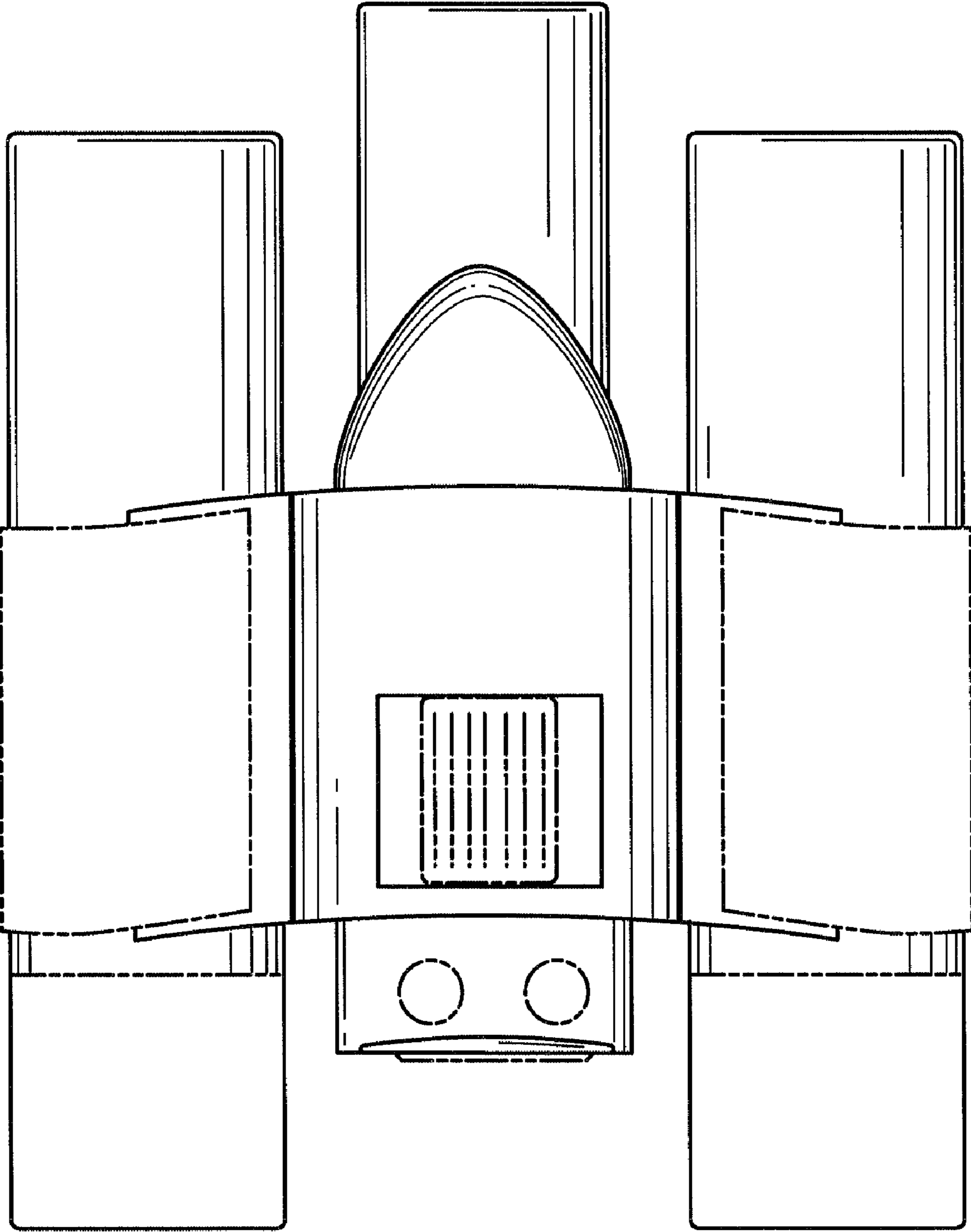


Fig. 7



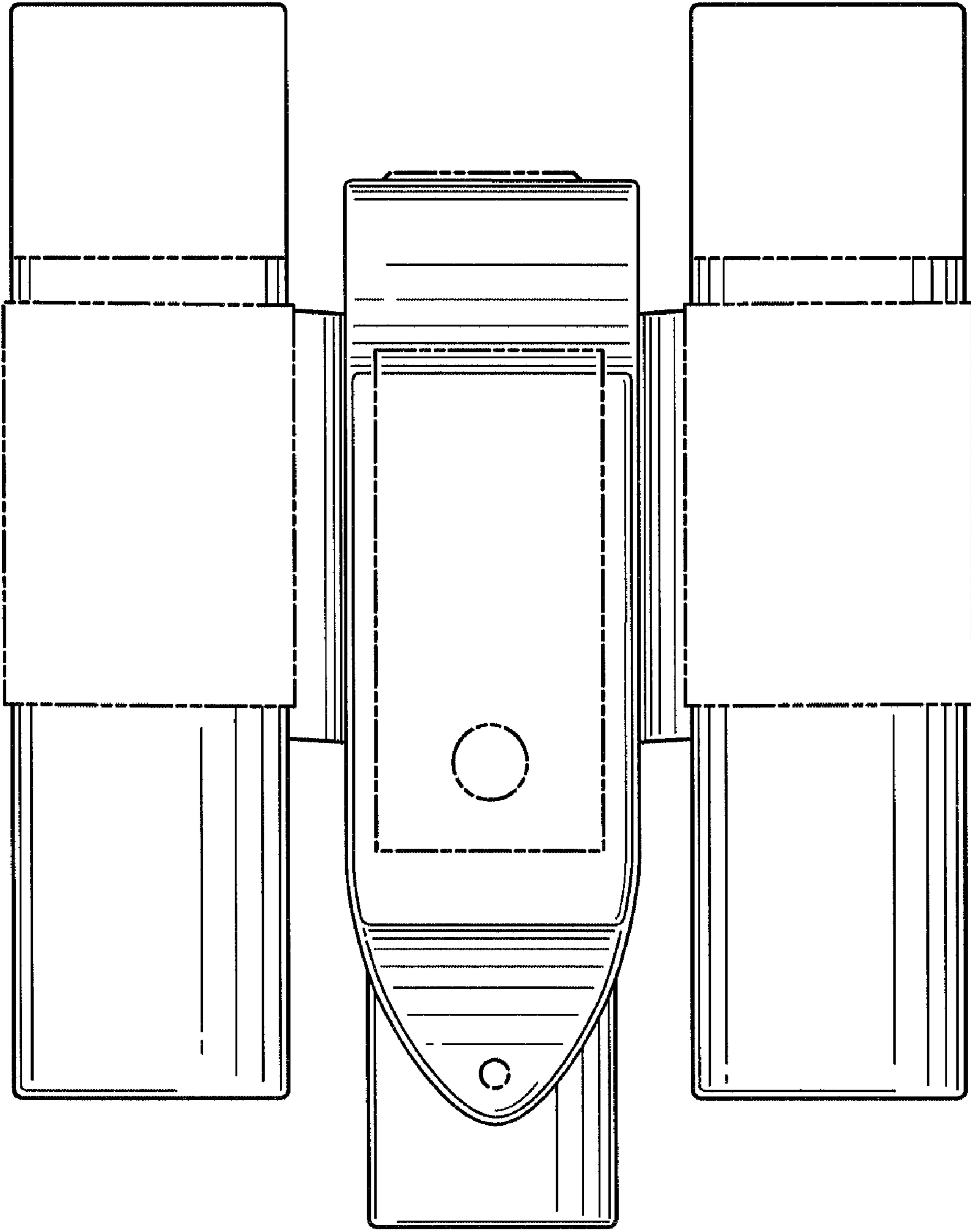


Fig. 8