



US00D604753S

(12) **United States Design Patent**  
**Suarez et al.**

(10) **Patent No.:** **US D604,753 S**

(45) **Date of Patent:** **\*\* Nov. 24, 2009**

(54) **ROBOT END EFFECTOR**

(75) Inventors: **Joseph Suarez**, Plantation, FL (US);  
**Christopher Labak**, Milford, NH (US);  
**Seth Banks**, Lake Worth, FL (US);  
**Brian Schmitz**, Fort Lauderdale, FL (US)

(73) Assignee: **Mako Surgical Corp.**, Ft. Lauderdale, FL (US)

(\*\*) Term: **14 Years**

(21) Appl. No.: **29/340,764**

(22) Filed: **Jul. 24, 2009**

(51) **LOC (9) Cl.** ..... **15-99**

(52) **U.S. Cl.** ..... **D15/199**

(58) **Field of Classification Search** ..... D8/18,  
D8/80, 94; D15/144, 199; D24/108, 112,  
D24/127, 145; 74/490.01; 294/30, 99.1,  
294/902; 318/568.13; 606/1, 130, 180

See application file for complete search history.

(56) **References Cited**

U.S. PATENT DOCUMENTS

5,240,299	A *	8/1993	Flavell et al. ....	294/99.1
D455,209	S *	4/2002	Himbert .....	D24/114
D532,432	S *	11/2006	Owens .....	D15/144
7,248,012	B2 *	7/2007	Takahashi et al. ....	318/568.13
D564,319	S *	3/2008	Tsai .....	D15/144
D578,645	S *	10/2008	Shumer et al. ....	D24/133
2004/0113444	A1 *	6/2004	Blonigan et al. ....	294/1.1
2005/0149003	A1 *	7/2005	Tierney et al. ....	606/1
2007/0137370	A1 *	6/2007	Ichibangase et al. ....	74/490.01
2007/0137372	A1 *	6/2007	Devengenzo et al. ....	74/490.01
2007/0145027	A1 *	6/2007	Izawa et al. ....	219/124.34
2008/0052936	A1 *	3/2008	Briggs et al. ....	33/502

2008/0092689	A1 *	4/2008	Shiraki et al. ....	74/490.02
2008/0271302	A1 *	11/2008	Betzig et al. ....	29/430
2009/0163931	A1 *	6/2009	Cooper et al. ....	606/130
2009/0163943	A1 *	6/2009	Cavanaugh et al. ....	606/180
2009/0173177	A1 *	7/2009	Sugawara et al. ....	74/490.03
2009/0178506	A1 *	7/2009	Yamamoto et al. ....	74/490.03
2009/0192522	A1 *	7/2009	Blumenkranz .....	606/130

\* cited by examiner

*Primary Examiner*—Sandra Snapp

*Assistant Examiner*—Patricia Palasik

(74) *Attorney, Agent, or Firm*—Foley & Lardner LLP

(57) **CLAIM**

The ornamental design for a robot end effector, as shown and described.

**DESCRIPTION**

FIG. 1 is a front perspective view of a robot end effector according to our new design;

FIG. 2 is a left side view of the robot end effector shown in FIG. 1;

FIG. 3 is a right side view of the robot end effector shown in FIG. 1;

FIG. 4 is a front view of the robot end effector shown in FIG. 1;

FIG. 5 is a back view of the robot end effector shown in FIG. 1;

FIG. 6 is a top view of the robot end effector shown in FIG. 1; and,

FIG. 7 is a bottom view of the robot end effector shown in FIG. 1.

Any broken lines in the drawings are for illustrative purposes only and form no part of the claimed design.

**1 Claim, 4 Drawing Sheets**

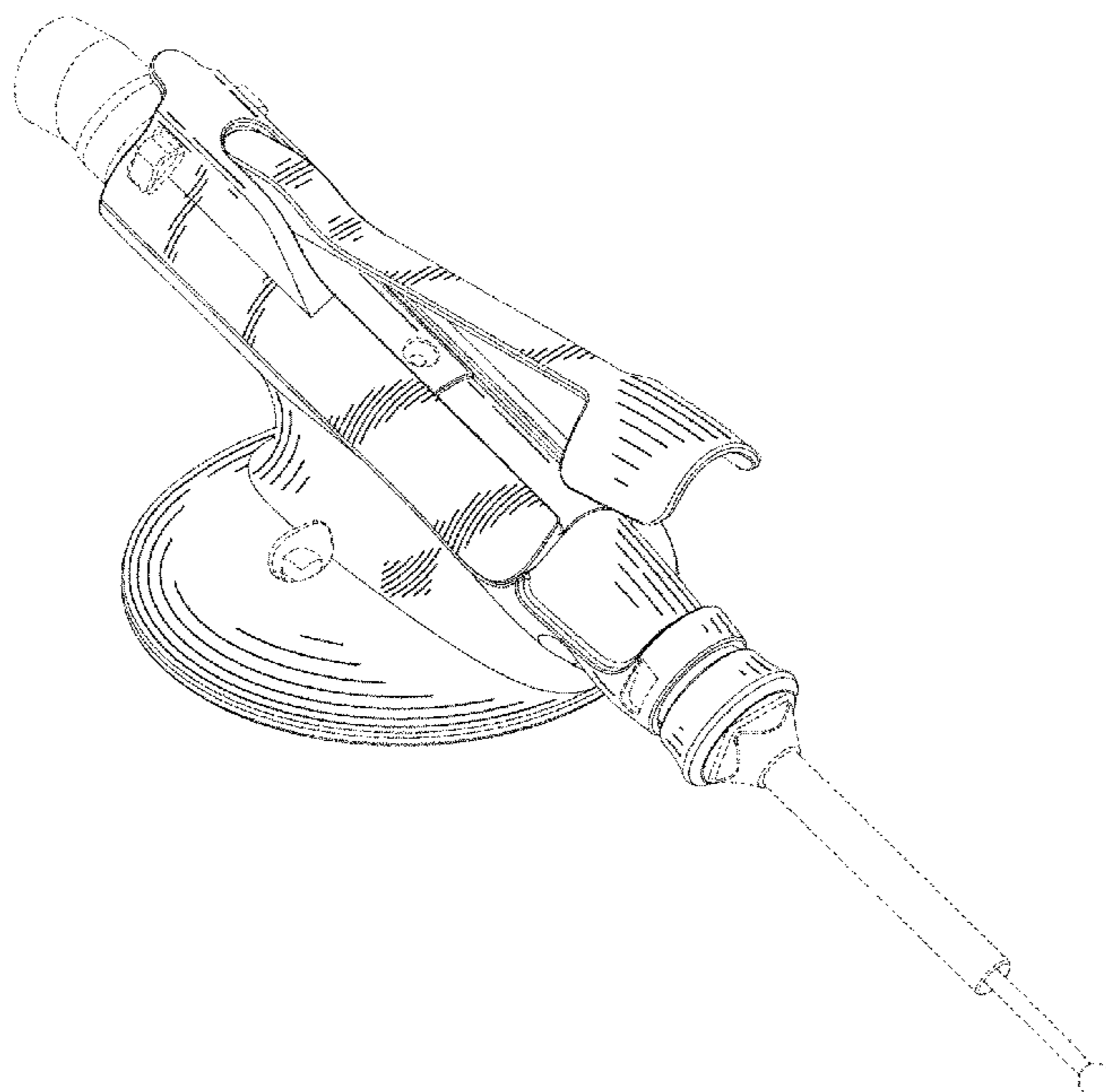


Fig. 1

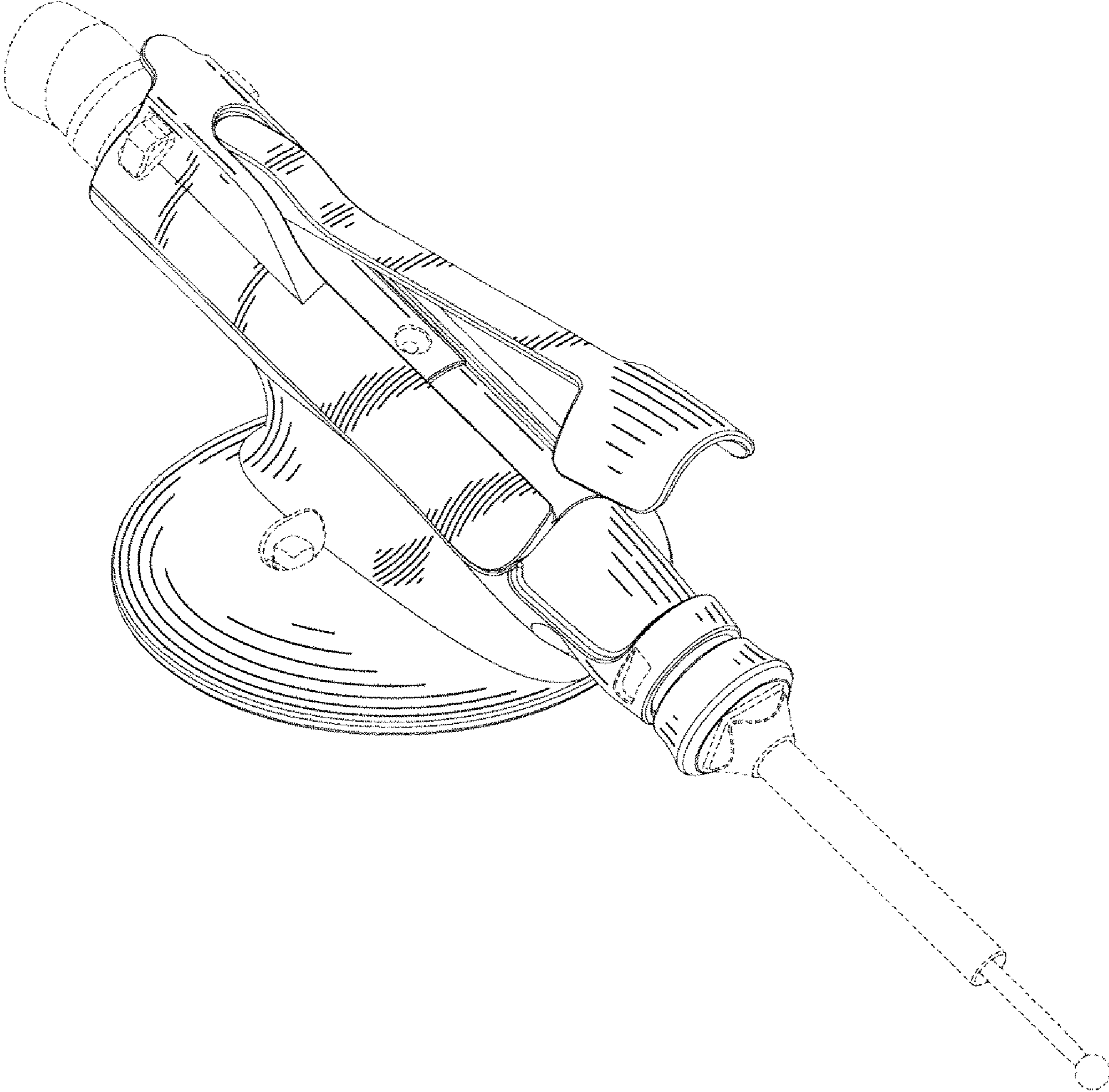


Fig. 2

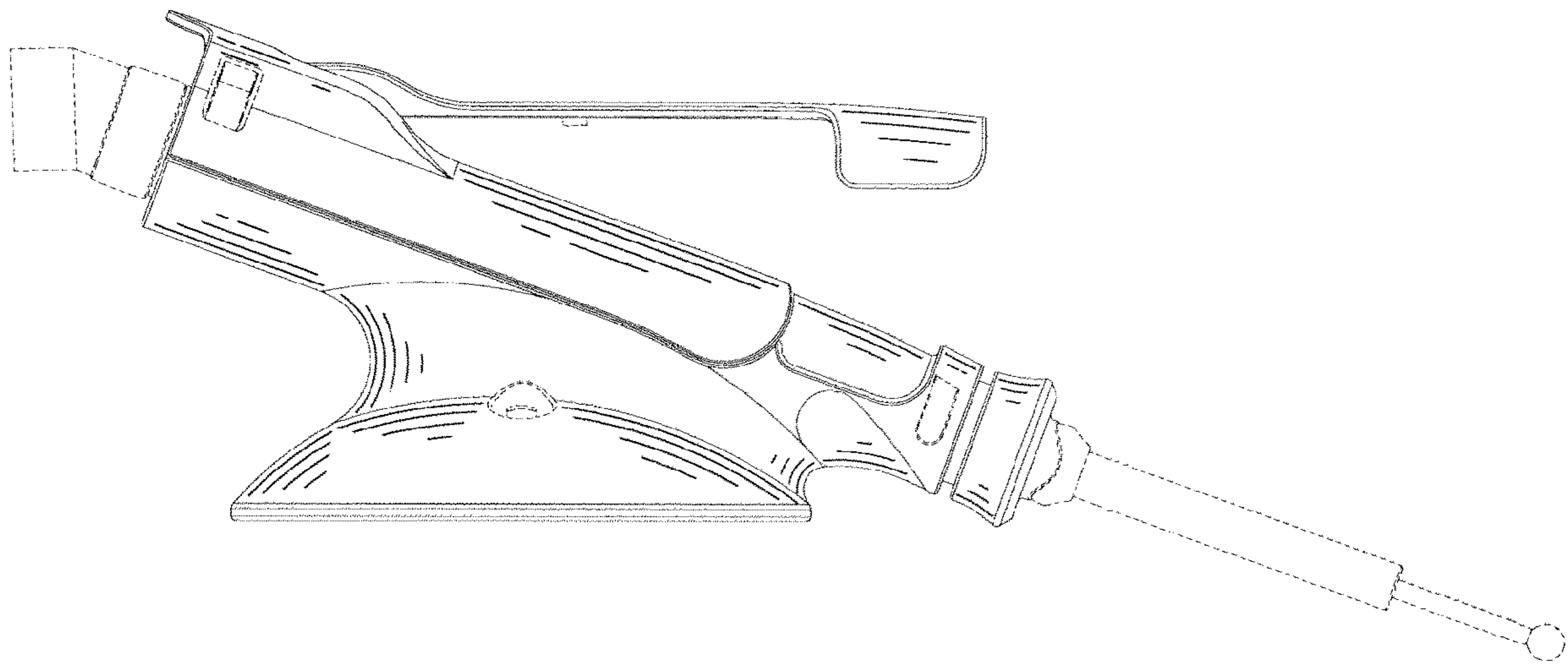


Fig. 3

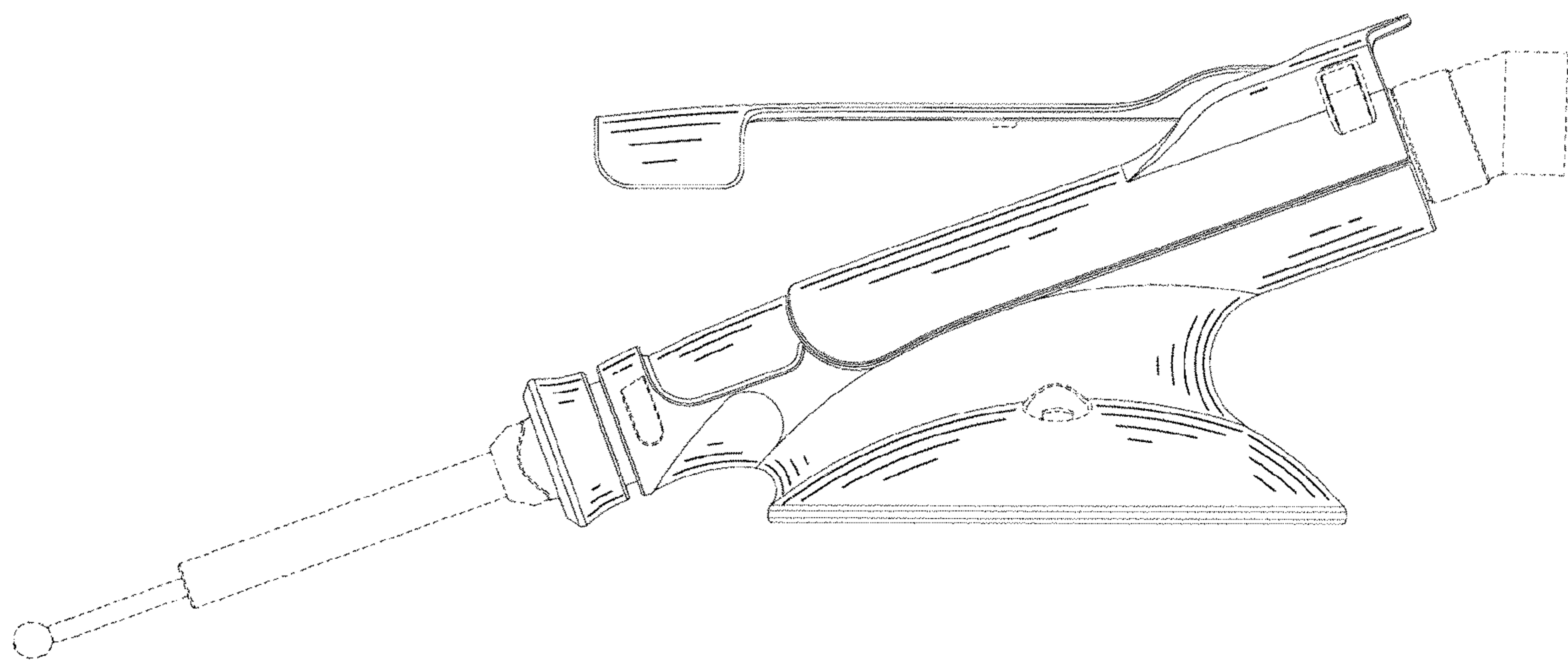


Fig. 4

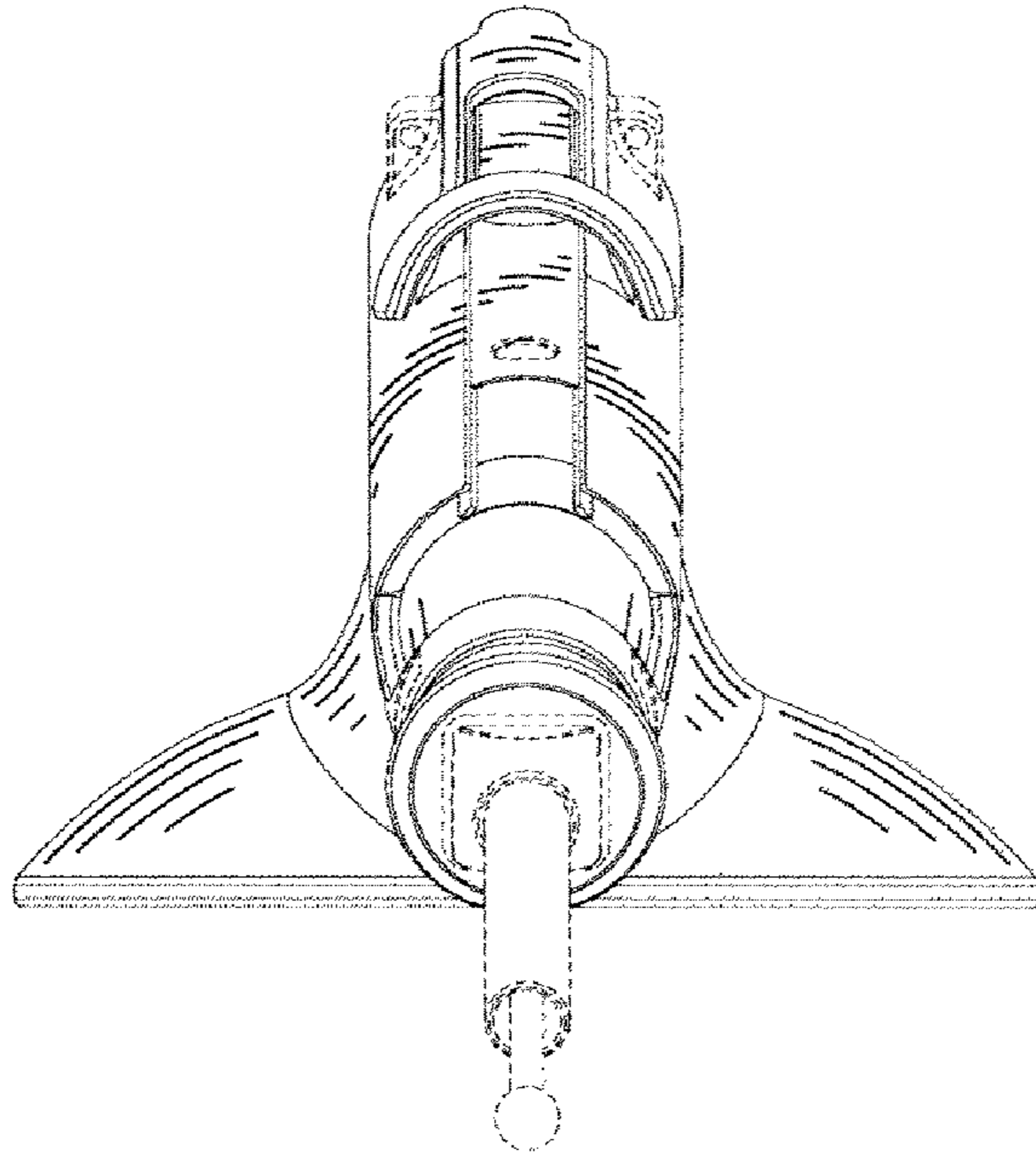


Fig. 5

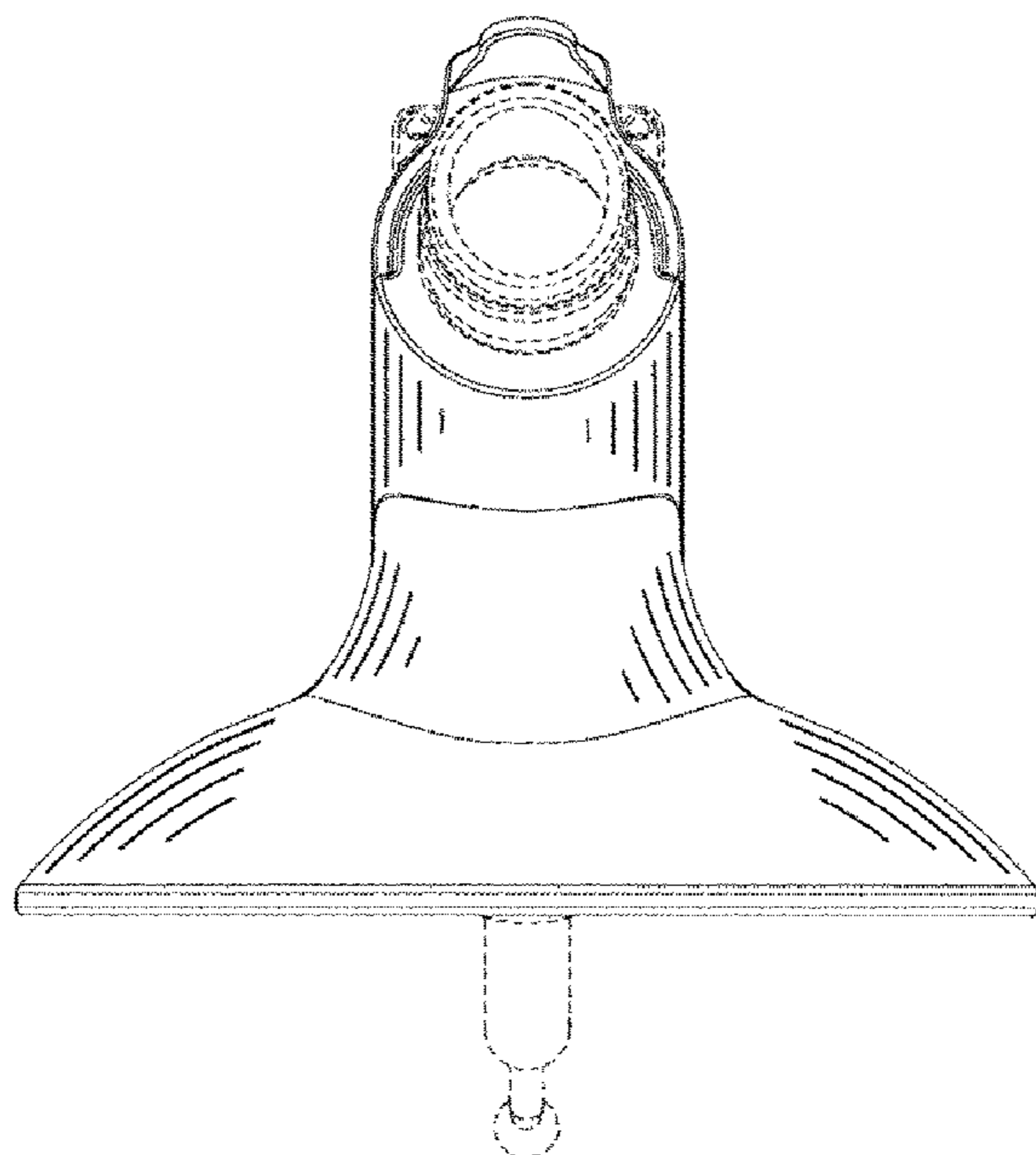


Fig. 6

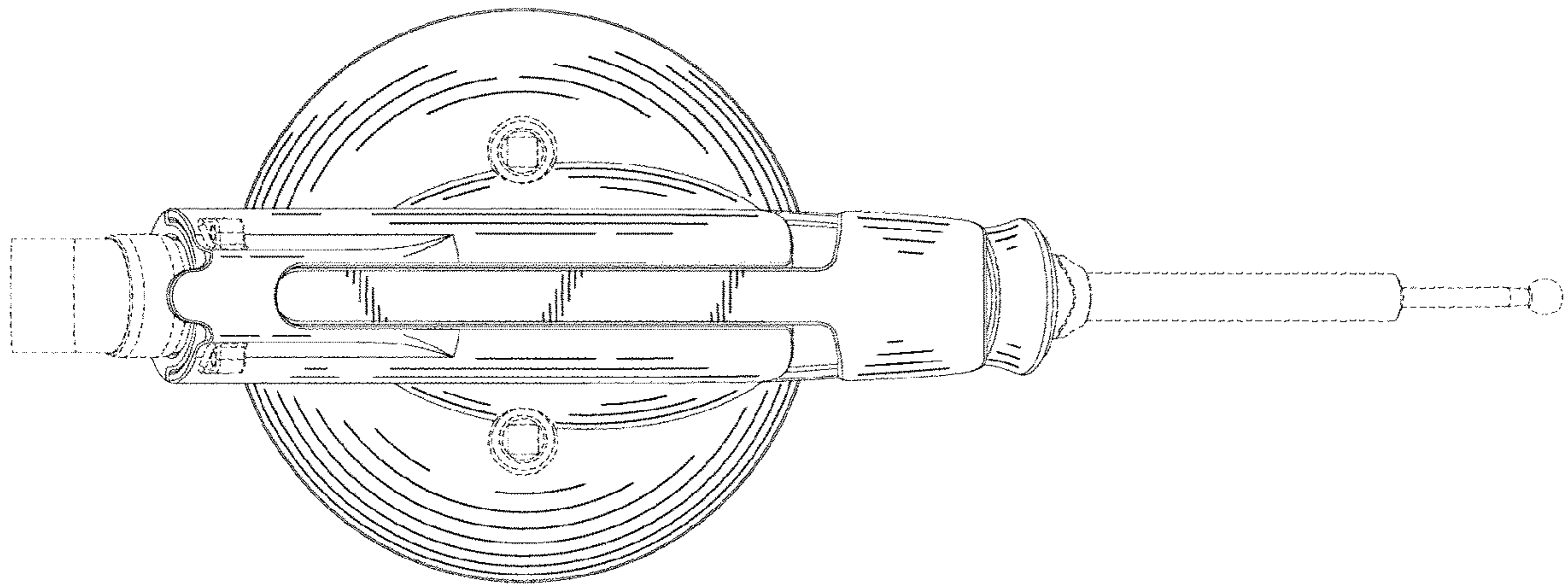


Fig. 7

