



US00D604752S

(12) **United States Design Patent**
Haag et al.

(10) **Patent No.:** **US D604,752 S**

(45) **Date of Patent:** **** Nov. 24, 2009**

(54) **GRIPPING DEVICE**

(75) Inventors: **Matthias Haag**, Stuttgart (DE); **Andreas Hoch**, Talheim (DE)

(73) Assignee: **Schunk GmbH & Co. KG Spann- und Greiftechnik**, Lauffen am Neckar (DE)

(**) Term: **14 Years**

(21) Appl. No.: **29/297,708**

(22) Filed: **Nov. 16, 2007**

(30) **Foreign Application Priority Data**

May 16, 2007 (EM) 000724000

(51) **LOC (9) Cl.** **15-99**

(52) **U.S. Cl.** **D15/199**

(58) **Field of Classification Search** D8/394-396;
D15/199; D21/578; 294/86.4, 88, 106, 115,
294/902; 414/729, 739; 623/64; 901/31,
901/37, 39

See application file for complete search history.

(56) **References Cited**

U.S. PATENT DOCUMENTS

D185,571 S *	6/1959	Reed	D21/483
4,351,553 A *	9/1982	Rovetta et al.	294/106
4,766,775 A *	8/1988	Hodge	D15/199
4,784,422 A *	11/1988	Jones et al.	294/106
4,834,443 A *	5/1989	Crowder et al.	294/106
5,108,140 A *	4/1992	Bartholet	294/106
5,280,981 A *	1/1994	Schulz	294/106
5,501,498 A *	3/1996	Ulrich	294/106
6,817,641 B1 *	11/2004	Singleton, Jr.	294/106
D547,643 S *	7/2007	Ratajczek et al.	D15/199
2001/0028174 A1 *	10/2001	Matsuda et al.	294/106
2002/0060465 A1 *	5/2002	Laliberte et al.	294/106

2004/0207222 A1 *	10/2004	Miyamoto	294/88
2005/0021154 A1 *	1/2005	Brimalm	623/64
2005/0121929 A1 *	6/2005	Greenhill et al.	294/106
2006/0145494 A1 *	7/2006	Nihei et al.	294/106
2008/0018124 A1 *	1/2008	Waldorf et al.	294/116

* cited by examiner

Primary Examiner—Sandra Snapp

Assistant Examiner—Patricia Palasik

(74) *Attorney, Agent, or Firm*—Paul Vincent

(57) **CLAIM**

The ornamental design for a gripping device, as shown.

DESCRIPTION

FIG. 1 shows an upper perspective view of the gripping device in accordance with the invention;

FIG. 2 shows a lower perspective view of the gripping device of FIG. 1;

FIG. 3 shows a first side view of the gripping device in accordance with FIGS. 1 and 2;

FIG. 4 shows a second side view of the gripping device in accordance with FIGS. 1 through 3;

FIG. 5 shows a third side view of the gripping device in accordance with FIGS. 1 through 4;

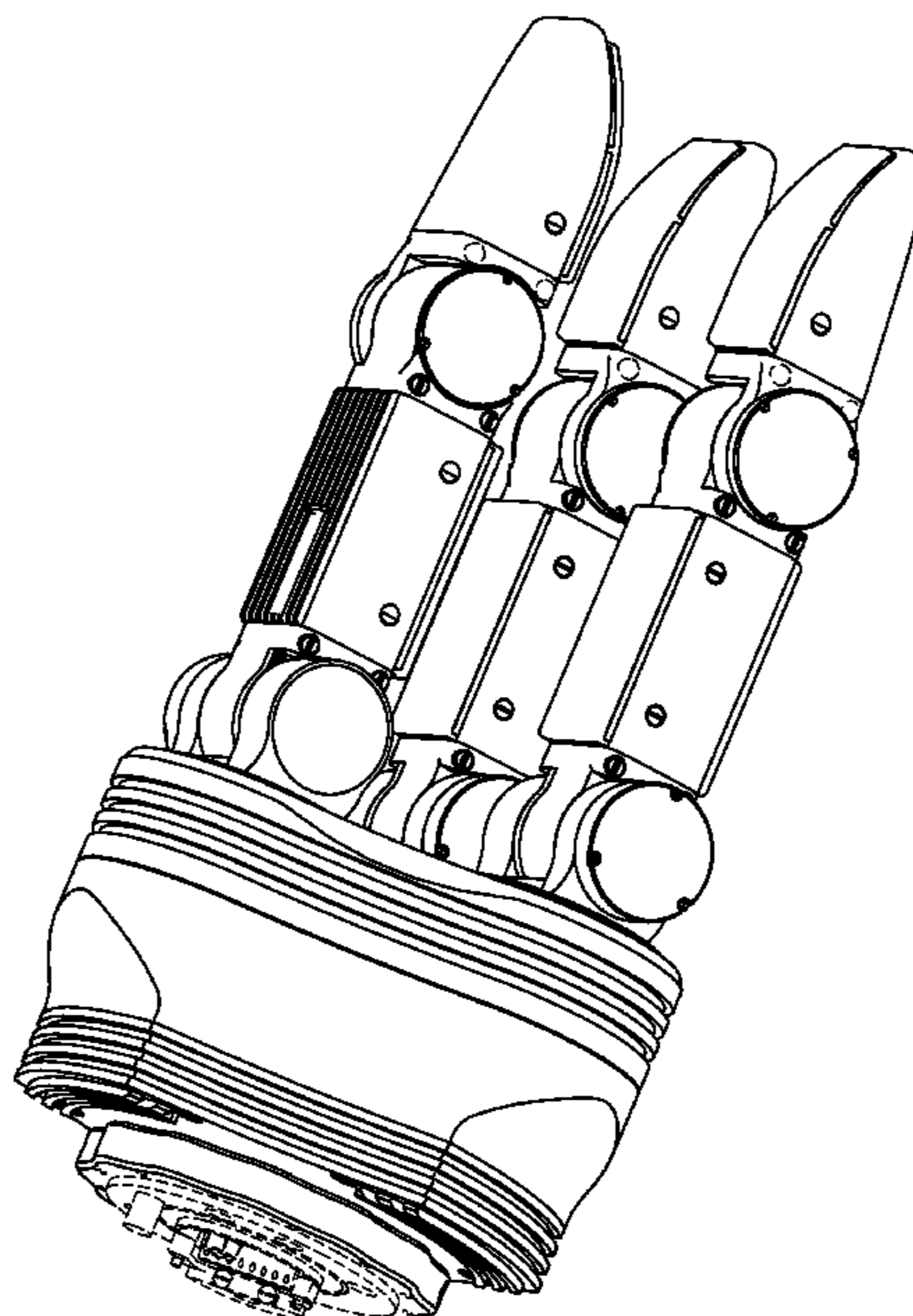
FIG. 6 shows a fourth side view of the gripping device in accordance with FIGS. 1 through 5;

FIG. 7 shows a top view of the gripping device in accordance with FIGS. 1 through 6; and,

FIG. 8 shows a bottom view of the gripping device in accordance with FIGS. 1 through 7.

The features shown in broken lines do not constitute claimed elements of the instant invention.

1 Claim, 8 Drawing Sheets



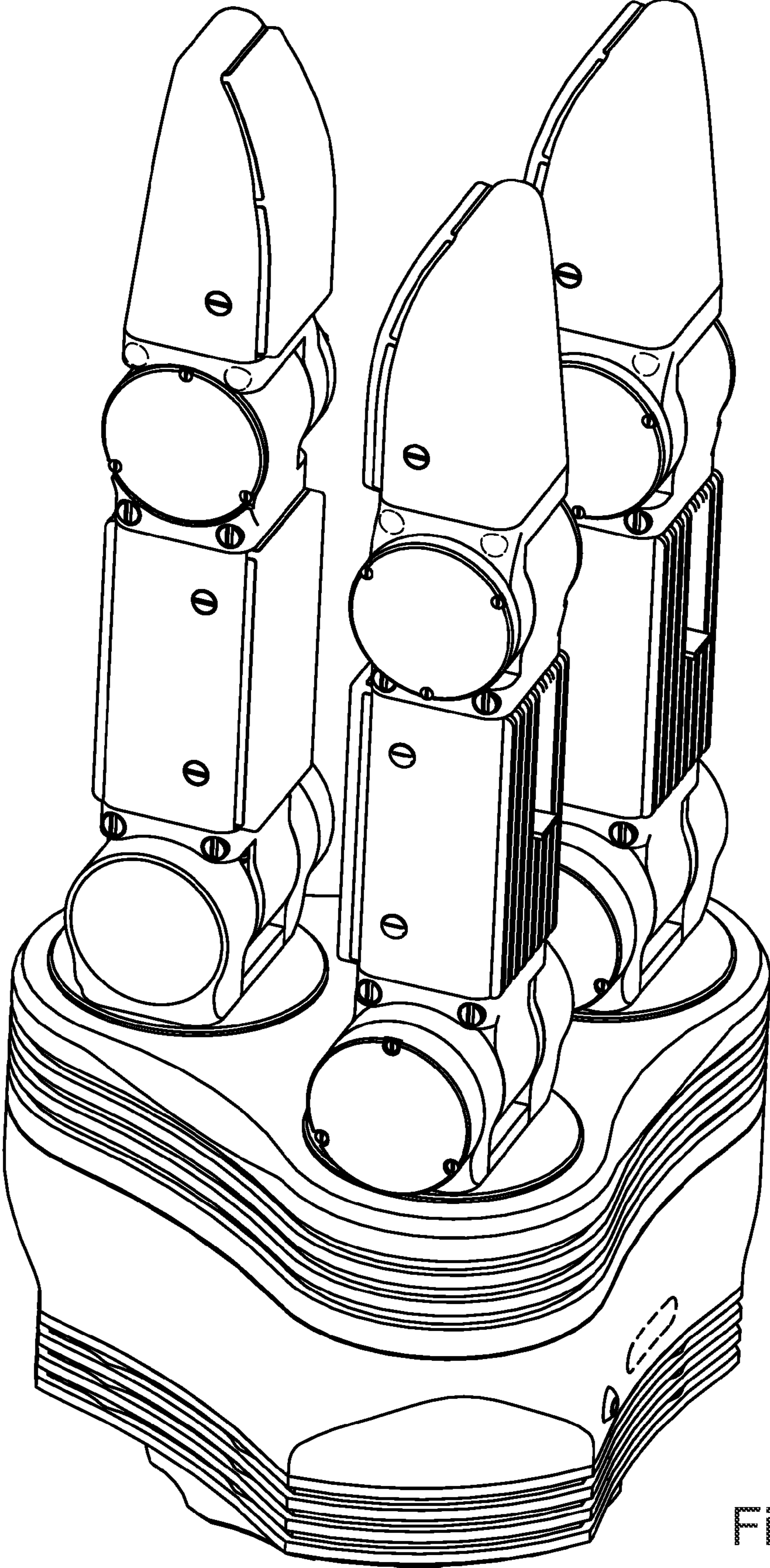


Figure 1

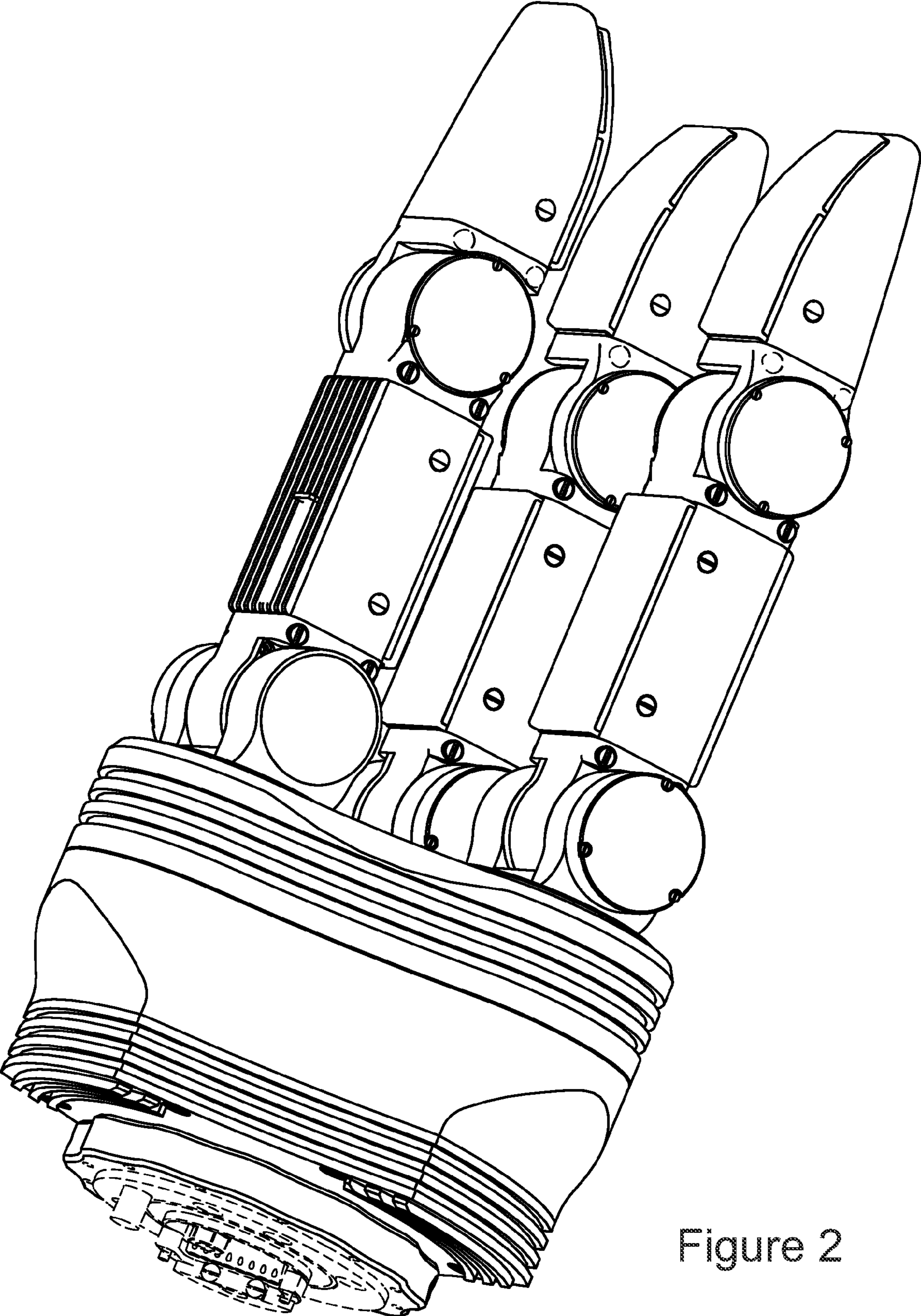


Figure 2

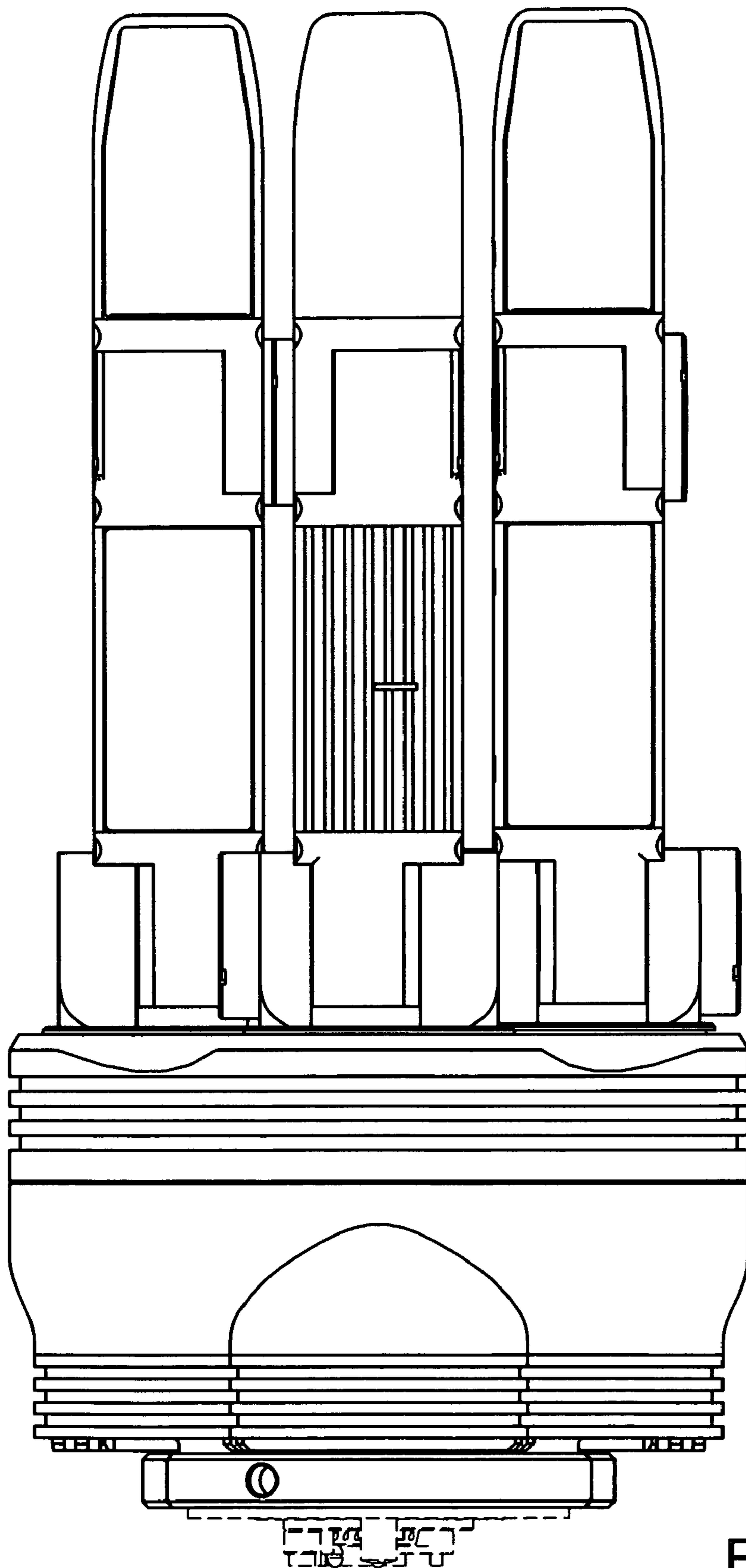


Figure 3

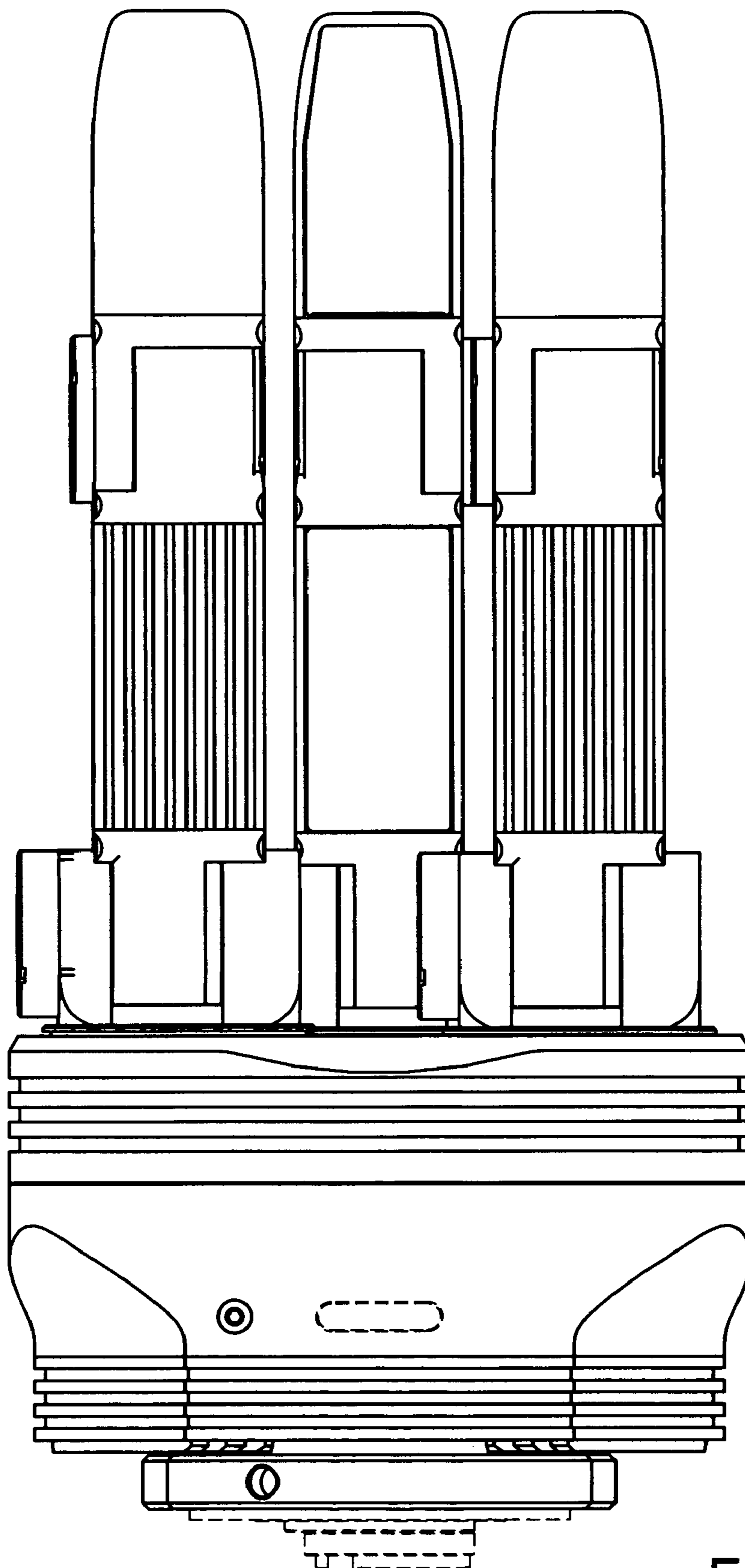


Figure 4

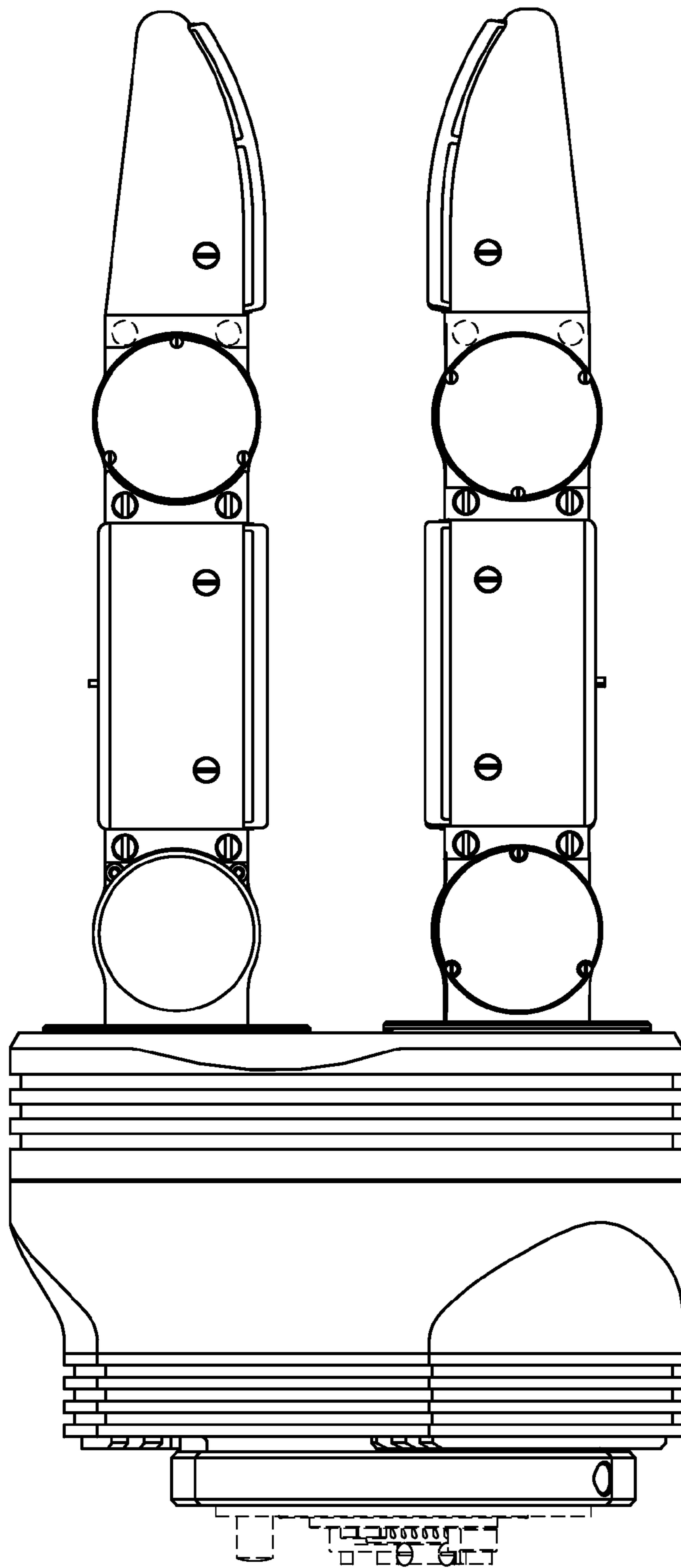


Figure 5

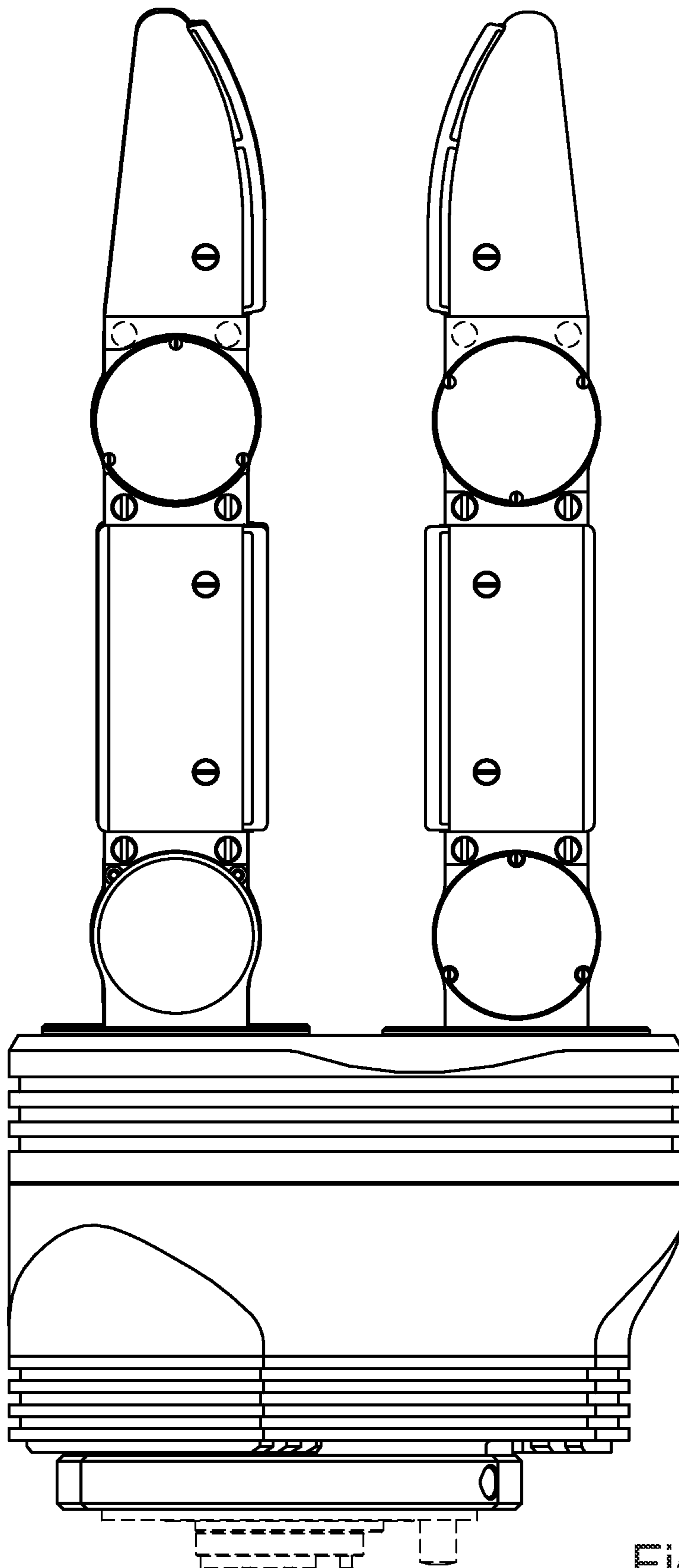


Figure 6

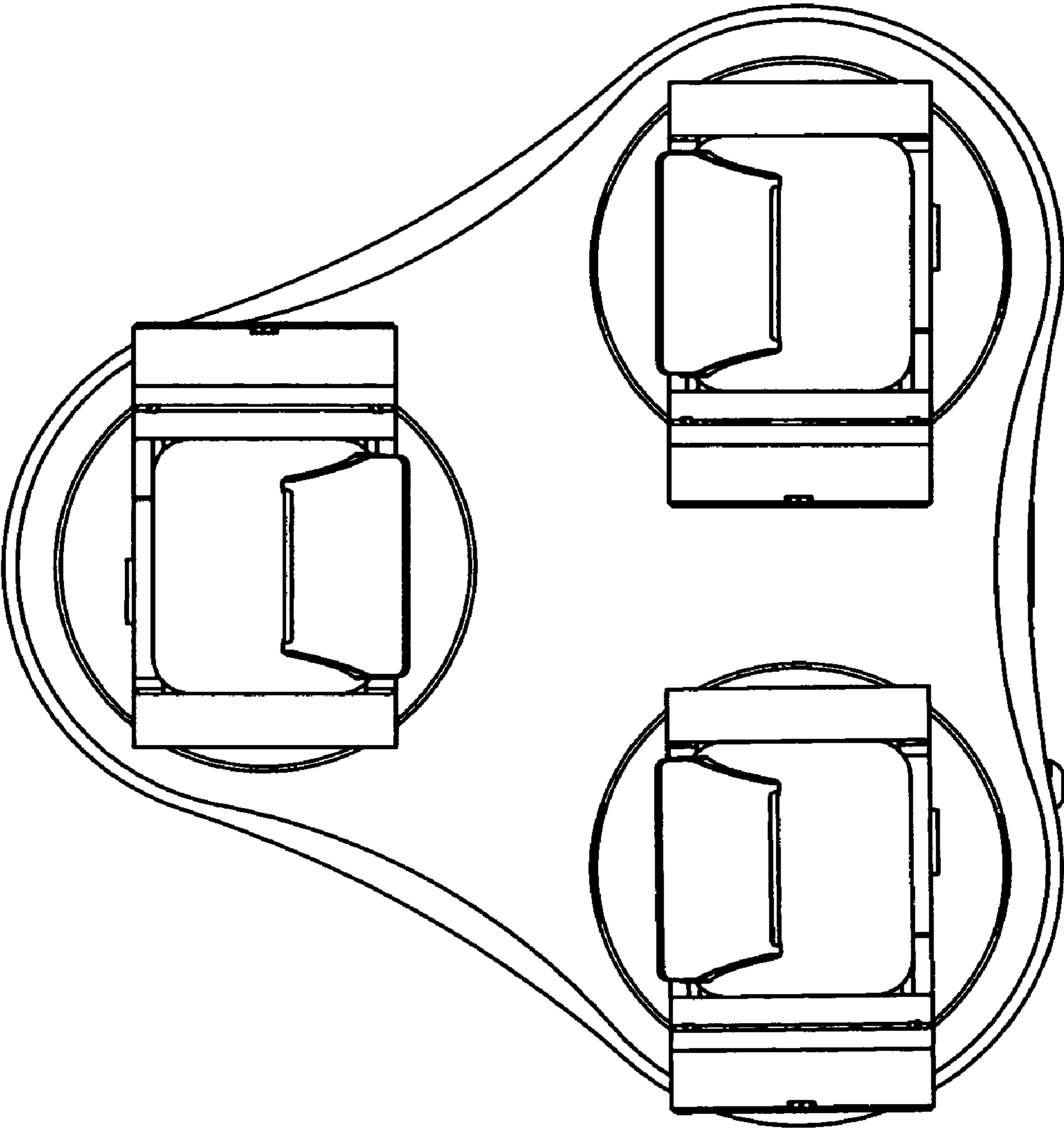


Figure 7

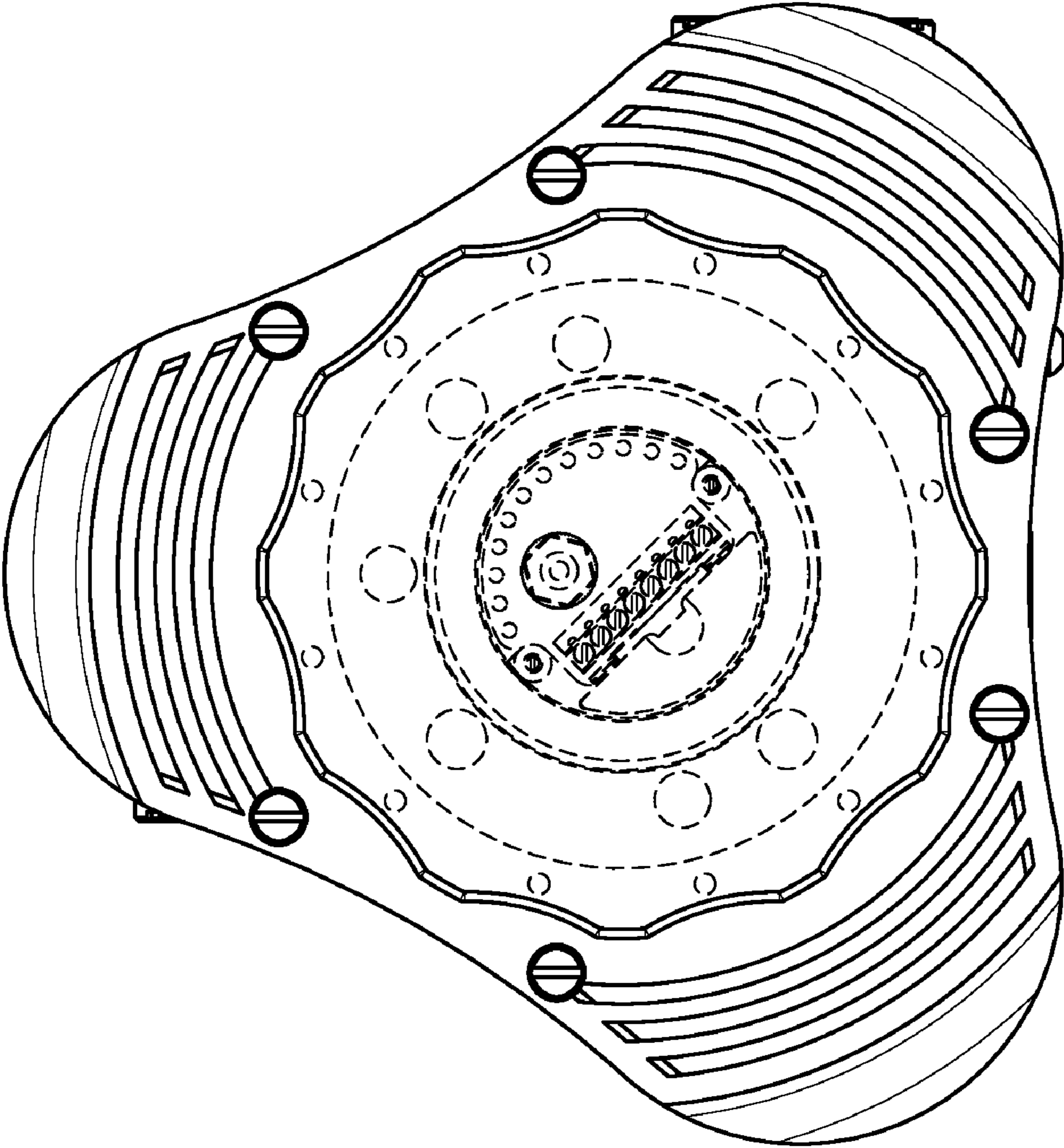


Figure 8