



US00D604749S

(12) **United States Design Patent**  
**Kushita et al.**

(10) **Patent No.:** **US D604,749 S**  
(45) **Date of Patent:** **\*\* Nov. 24, 2009**

(54) **TRACTOR**

(75) Inventors: **Yoshihiro Kushita, Sakai (JP);**  
**Yoshitaka Higashikawa, Sakai (JP)**

(73) Assignee: **Kubota Corporation, Osaka (JP)**

(\*\*) Term: **14 Years**

(21) Appl. No.: **29/333,538**

(22) Filed: **Mar. 11, 2009**

(30) **Foreign Application Priority Data**

Oct. 31, 2008 (JP) ..... 2008-028020

(51) **LOC (9) Cl.** ..... **12-09**

(52) **U.S. Cl.** ..... **D15/23; D15/24; D15/26**

(58) **Field of Classification Search** ..... D15/10,  
D15/14, 15, 22-26, 33; 180/69.2, 89.1, 89.12,  
180/900; 56/12.7, 15.8, 16.7, 13.3, 10.1,  
56/202, 320.1

See application file for complete search history.

(56) **References Cited**

**U.S. PATENT DOCUMENTS**

- D256,017 S \* 7/1980 Emundts et al. .... D15/23
- D274,524 S \* 7/1984 Koval et al. .... D15/23
- D277,861 S \* 3/1985 Sieren ..... D15/23
- D375,506 S \* 11/1996 Bastian et al. .... D15/24
- D387,068 S \* 12/1997 Kato et al. .... D15/23
- D391,581 S \* 3/1998 Kato et al. .... D15/23
- D419,164 S \* 1/2000 Heiler et al. .... D15/31
- D440,234 S \* 4/2001 Katoh et al. .... D15/23
- D483,043 S \* 12/2003 Akashima et al. .... D15/24
- D497,621 S \* 10/2004 Inaoka et al. .... D15/28

- D498,245 S \* 11/2004 Kuwae et al. .... D15/23
- D527,026 S 8/2006 Kuwae et al.
- D555,674 S 11/2007 Kuwae
- D556,789 S \* 12/2007 Kitayama et al. .... D15/24
- D559,277 S \* 1/2008 Tsujita et al. .... D15/24
- D559,278 S \* 1/2008 Tsujita et al. .... D15/24
- D564,544 S 3/2008 Higashikawa et al.

**FOREIGN PATENT DOCUMENTS**

- JP 1026383 S 11/1998
- JP 1309081 S 9/2007

\* cited by examiner

*Primary Examiner*—Stella M Reid

*Assistant Examiner*—Mark A Goodwin

(74) *Attorney, Agent, or Firm*—The Webb Law Firm

(57) **CLAIM**

The ornamental design for a tractor, as shown and described.

**DESCRIPTION**

FIG. 1 is a front side view of a tractor showing our new design;

FIG. 2 is a rear side view thereof;

FIG. 3 is a left side view thereof;

FIG. 4 is a right side view thereof;

FIG. 5 is a top plan view thereof;

FIG. 6 is a left front perspective view thereof; and,

FIG. 7 is a right rear perspective view thereof.

A bottom view is omitted because it is plain and unornamental and forms no part of the subject matter of the claimed design.

**1 Claim, 7 Drawing Sheets**





**FIG. 1**



**FIG. 2**

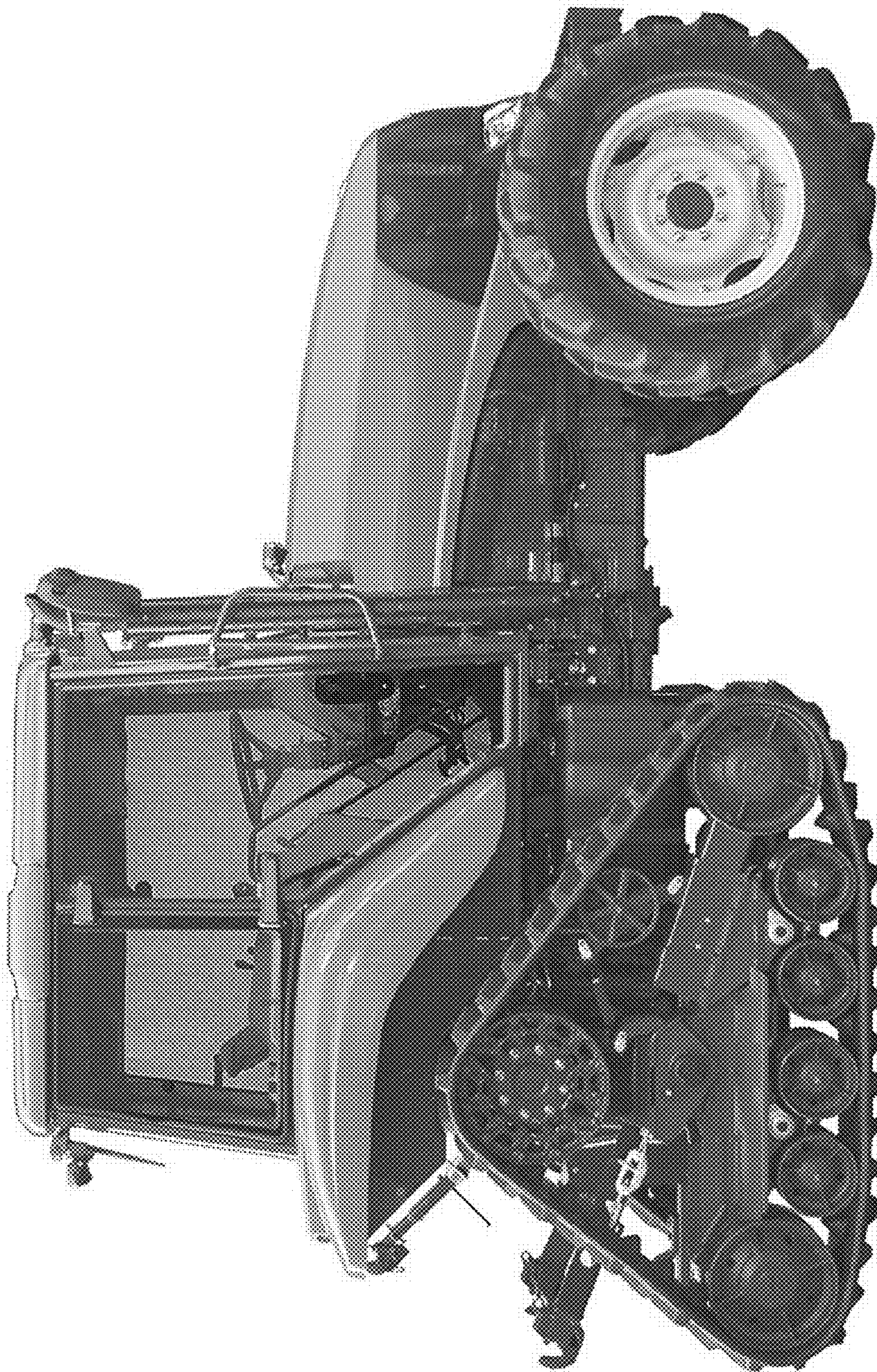


FIG. 3

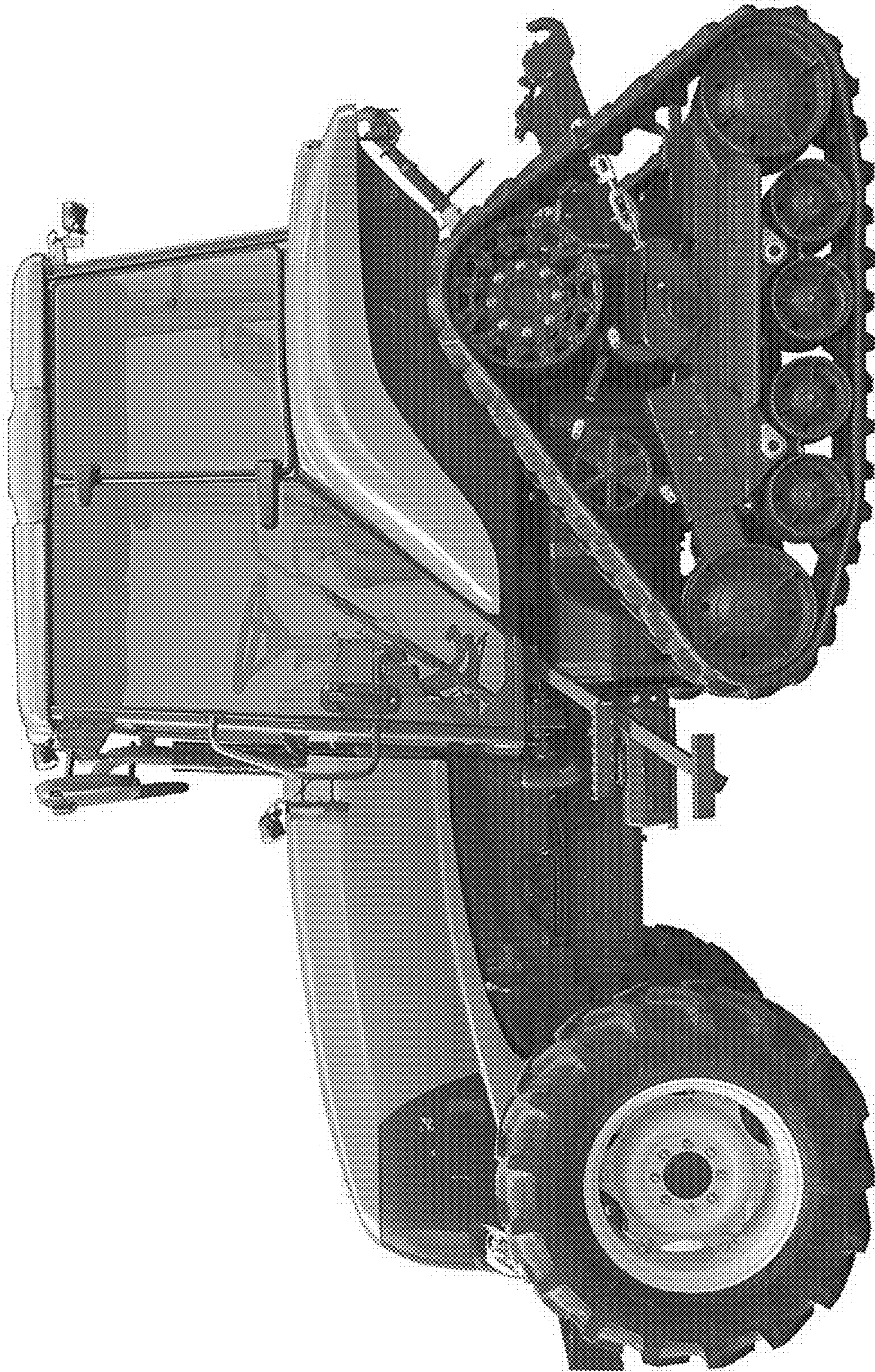


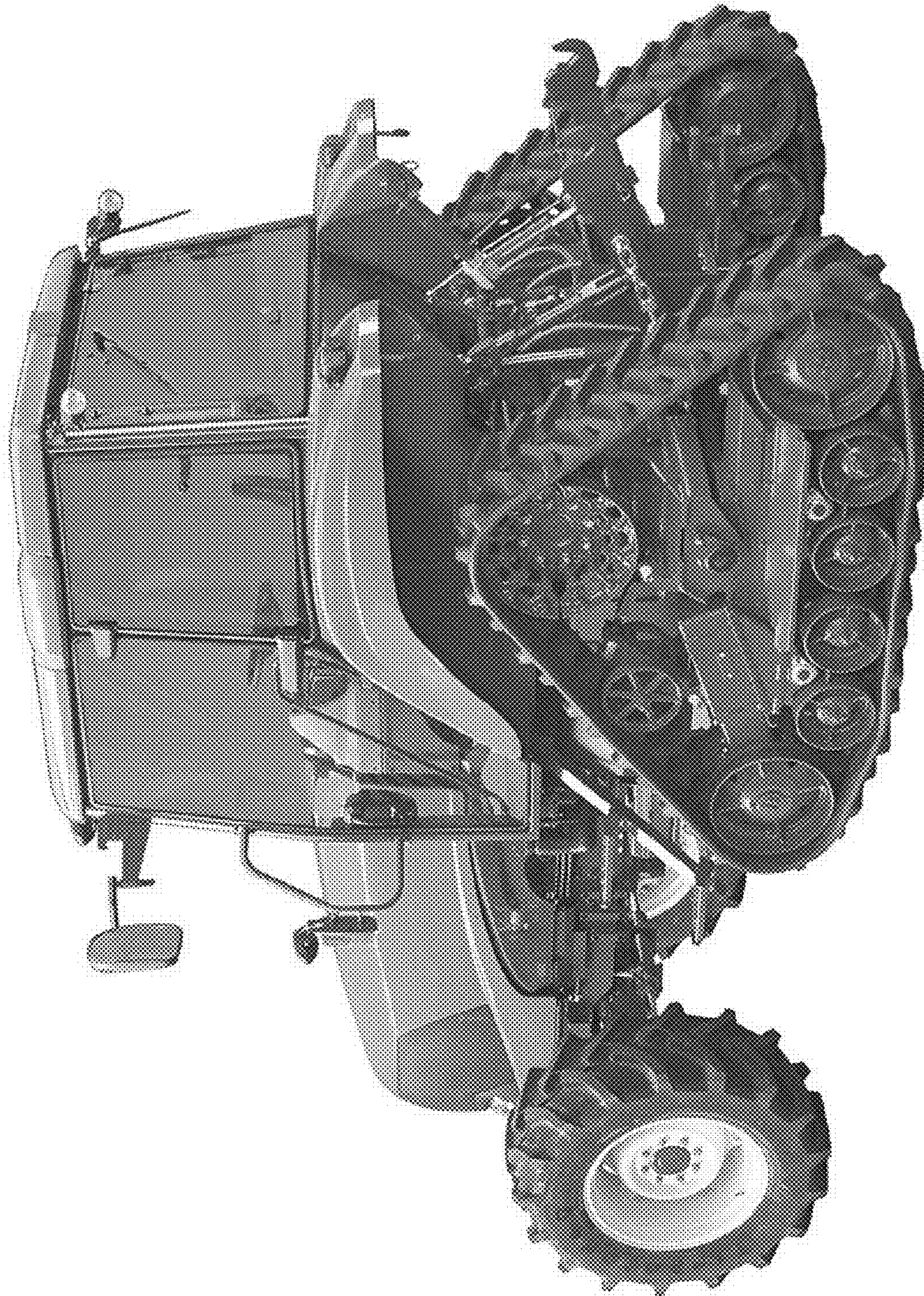
FIG. 4



FIG. 5



**FIG. 6**



**FIG. 7**