

US00D604748S

(12) **United States Design Patent**  
**Schmidt**

(10) **Patent No.:** **US D604,748 S**

(45) **Date of Patent:** **\*\* Nov. 24, 2009**

(54) **CONSTRUCTION MACHINE**

D202,365 S \* 9/1965 Kimball ..... D15/22

(Continued)

(75) **Inventor:** **Hans-Heinrich Schmidt,**  
Lichtenfels-Sachsenberg (DE)

**FOREIGN PATENT DOCUMENTS**

(73) **Assignee:** **Weidemann GmbH,** Diemelsee (DE)

EP	496872-0001	3/2006
EP	496872-0003	3/2006
EP	496872-0004	3/2006
EP	496872-0005	3/2006
EP	496872-0006	3/2006
EP	496872-0007	3/2006
EP	496872-0008	3/2006
EP	496872-0009	3/2006

(\*\*) **Term:** **14 Years**

(21) **Appl. No.:** **29/313,409**

(22) **Filed:** **Jan. 2, 2009**

**Related U.S. Application Data**

*Primary Examiner*—Ian Simmons

*Assistant Examiner*—Mark A Goodwin

(63) Continuation-in-part of application No. 29/266,033,  
filed on Sep. 13, 2006.

(74) *Attorney, Agent, or Firm*—D. Peter Hochberg; Sean F.  
Mellino; Daniel J. Smola

(30) **Foreign Application Priority Data**

(57) **CLAIM**

Mar. 13, 2006	(EM)	.....	496872-0001
Mar. 13, 2006	(EM)	.....	496872-0003
Mar. 13, 2006	(EM)	.....	496872-0004
Mar. 13, 2006	(EM)	.....	496872-0005
Mar. 13, 2006	(EM)	.....	496872-0006
Mar. 13, 2006	(EM)	.....	496872-0007
Mar. 13, 2006	(EM)	.....	496872-0008
Mar. 13, 2006	(EM)	.....	496872-0009

The ornamental design for construction machine, as shown  
and described.

**DESCRIPTION**

(51) **LOC (9) Cl.** ..... **12-09**

(52) **U.S. Cl.** ..... **D15/23**

(58) **Field of Classification Search** ..... D15/10,  
D15/22-26; D34/28, 34; 37/407, 442; 414/685,  
414/694, 722; 296/190; 180/89.1, 89.12  
See application file for complete search history.

FIG. 1 is a side view of a construction machine according to  
my new design;

FIG. 2 is a side view of the construction machine as shown in  
FIG. 1, shown from the opposite side as that shown in FIG. 1;

FIG. 3 is a front view of the construction machine as shown in  
FIG. 1;

FIG. 4 is a rear view of the construction machine as shown in  
FIG. 1;

FIG. 5 is a top view of the construction machine as shown in  
FIG. 1; and,

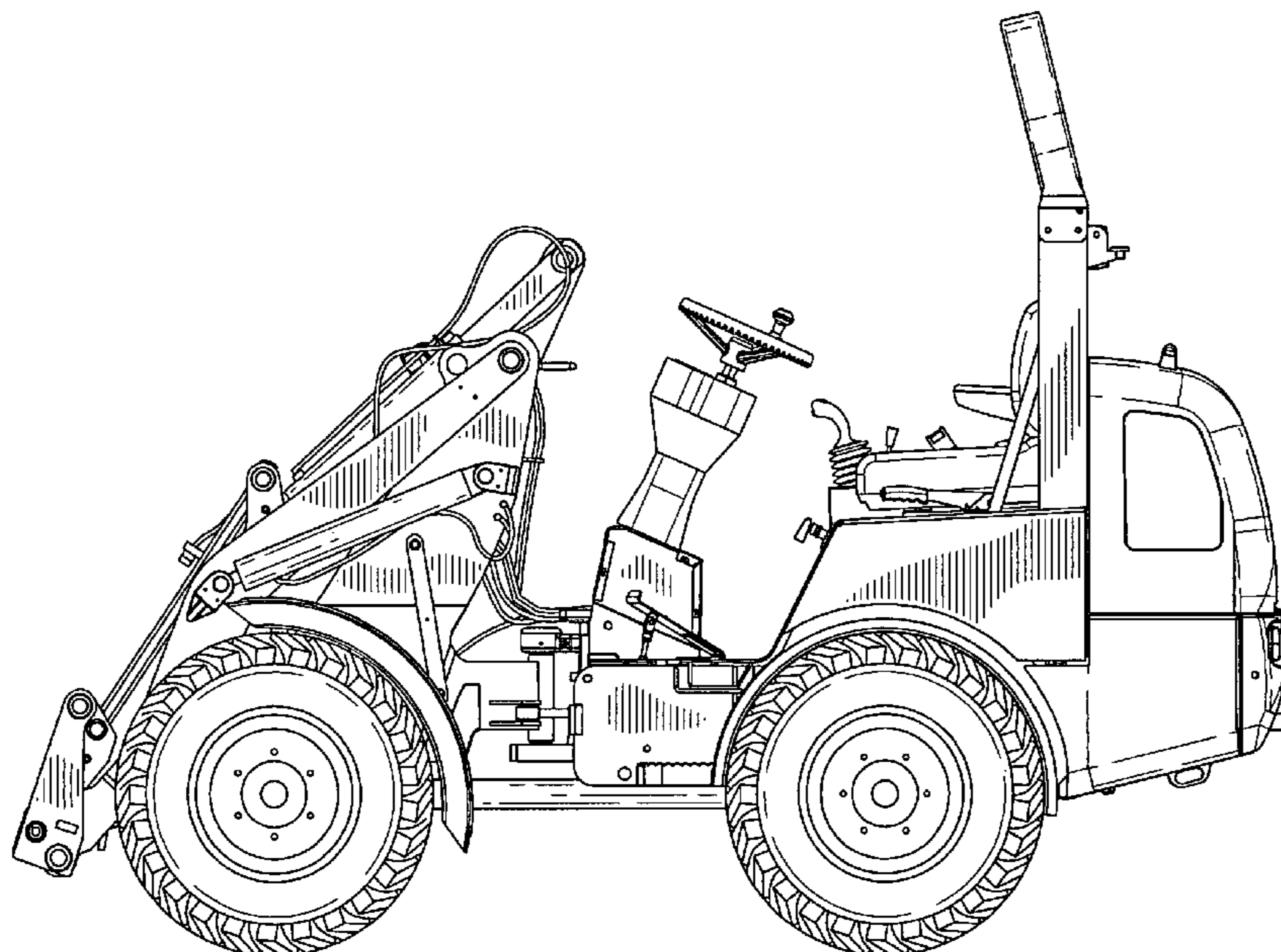
FIG. 6 is a bottom view of the construction machine as shown  
in FIG. 1.

(56) **References Cited**

**U.S. PATENT DOCUMENTS**

D172,069 S \* 4/1954 Wagner ..... D15/25

**1 Claim, 4 Drawing Sheets**



# US D604,748 S

Page 2

---

## U.S. PATENT DOCUMENTS

3,426,720	A *	2/1969	Enos	440/12.66	D297,539	S *	9/1988	Morita et al.	D15/23
3,446,302	A *	5/1969	Schoonover	180/9.1	D361,576	S *	8/1995	Matsubara et al.	D15/25
D217,661	S *	5/1970	McCawley	D15/25	D364,408	S *	11/1995	Bryant et al.	D15/25
3,521,719	A *	7/1970	Forpahl	180/235	D405,807	S *	2/1999	Amy et al.	D15/25
3,805,908	A *	4/1974	Thompson	180/235	D412,506	S *	8/1999	Boyer et al.	D15/25
3,888,372	A *	6/1975	Gorby et al.	414/713	D438,359	S *	2/2001	Braud	D34/34
D240,155	S *	6/1976	Burns et al.	D15/12	D460,085	S *	7/2002	Crookes et al.	D15/25
D271,397	S *	11/1983	Kuhn et al.	D15/25	D463,805	S *	10/2002	Witte et al.	D15/23
					D464,661	S *	10/2002	Dahl et al.	D15/23

\* cited by examiner

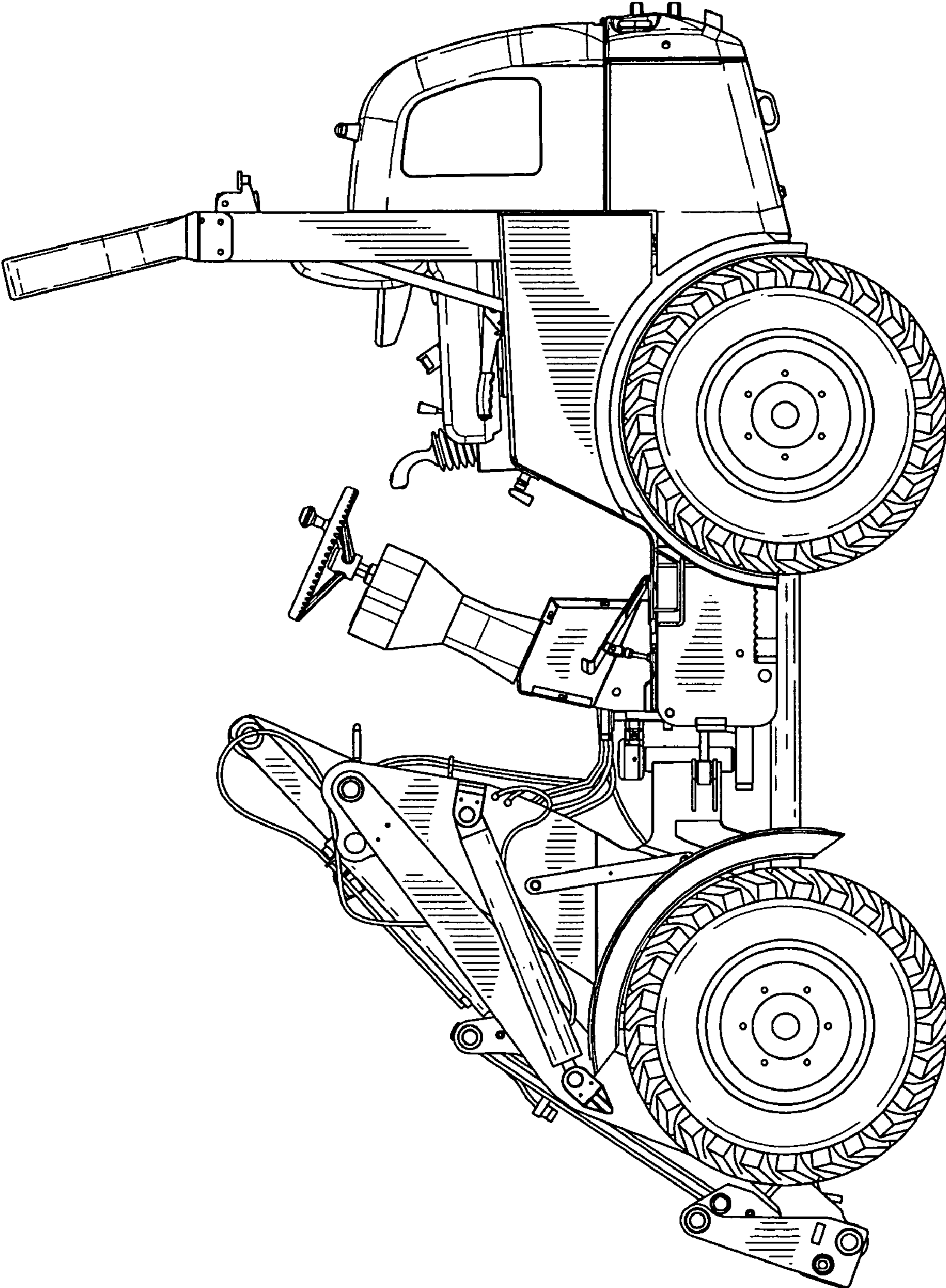


FIG-1

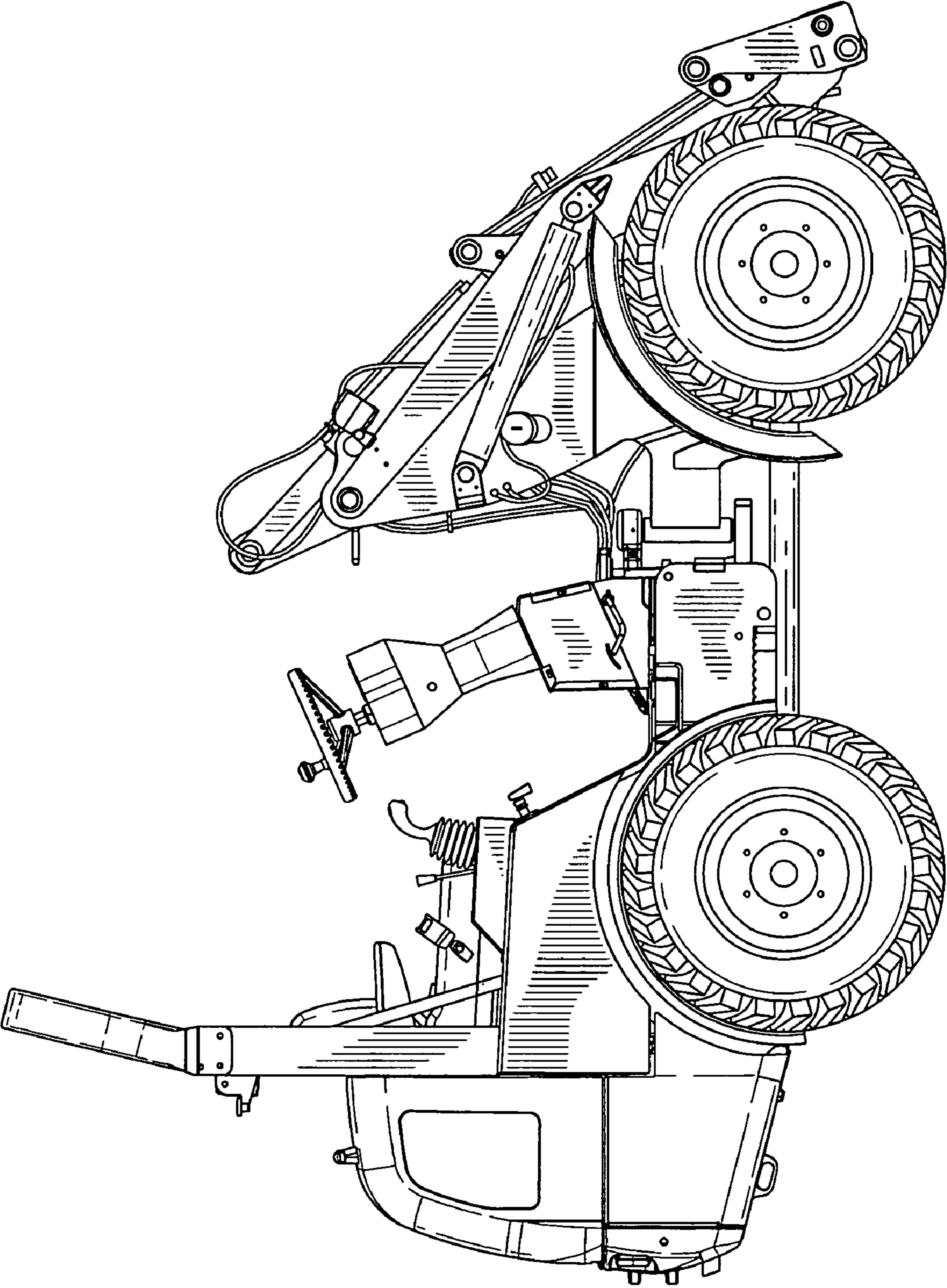


FIG-2

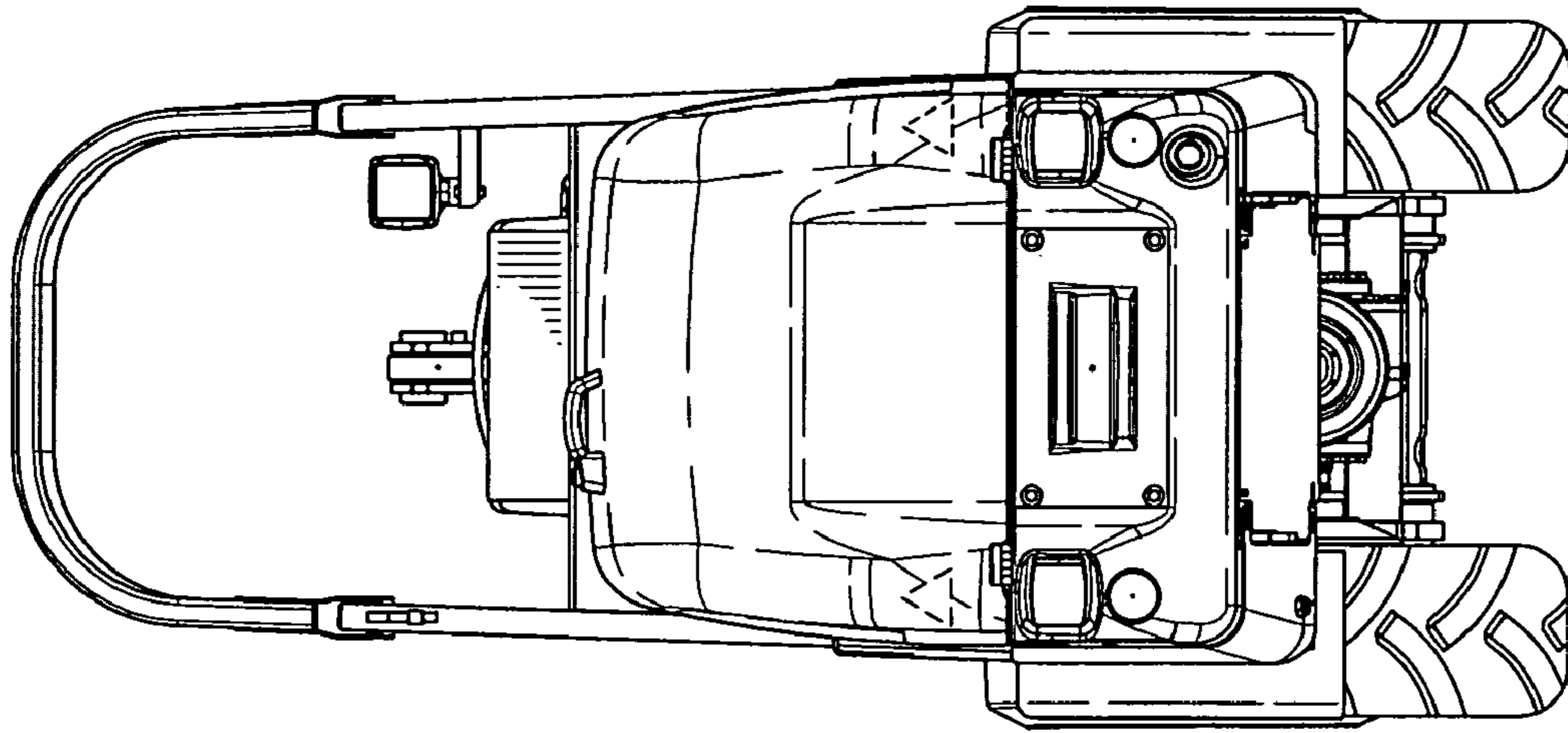


FIG-4

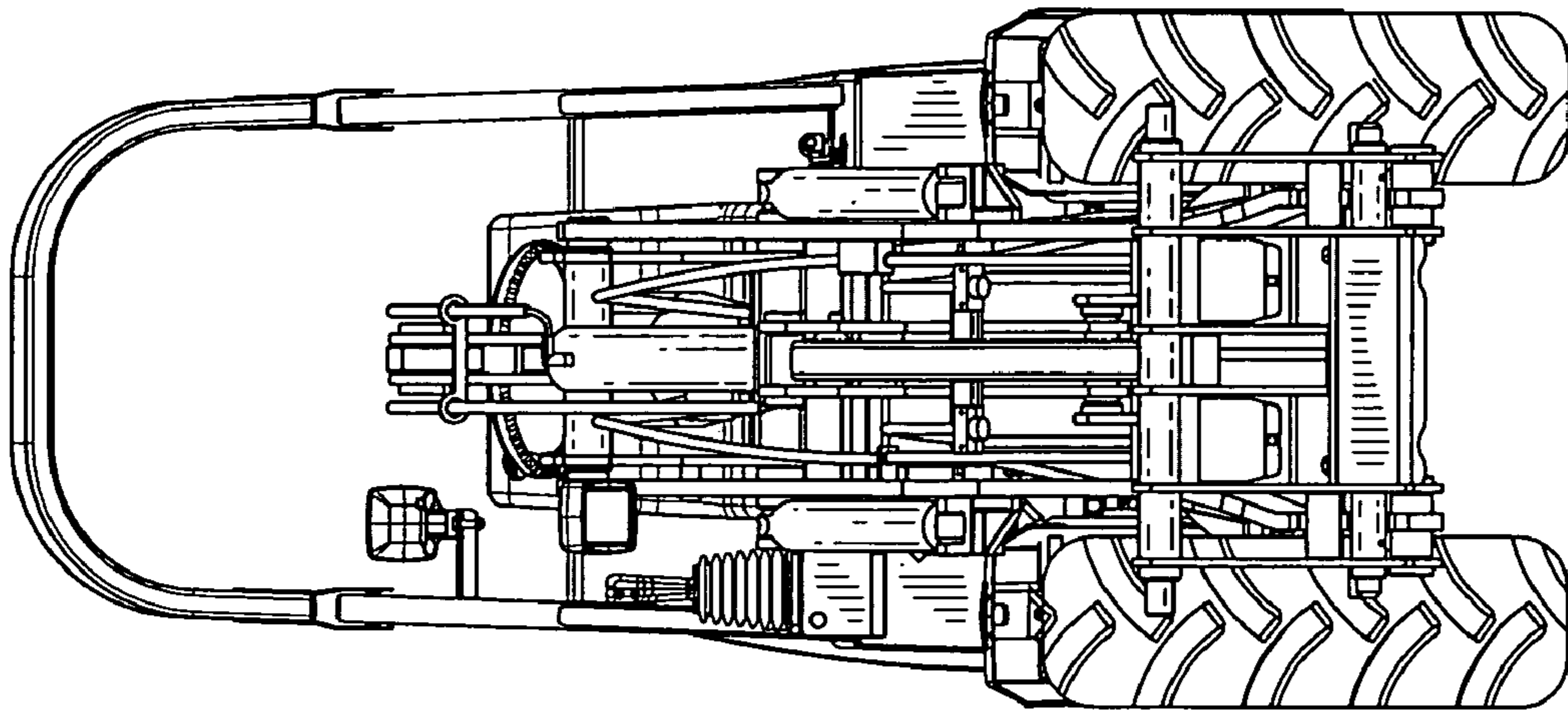


FIG-3

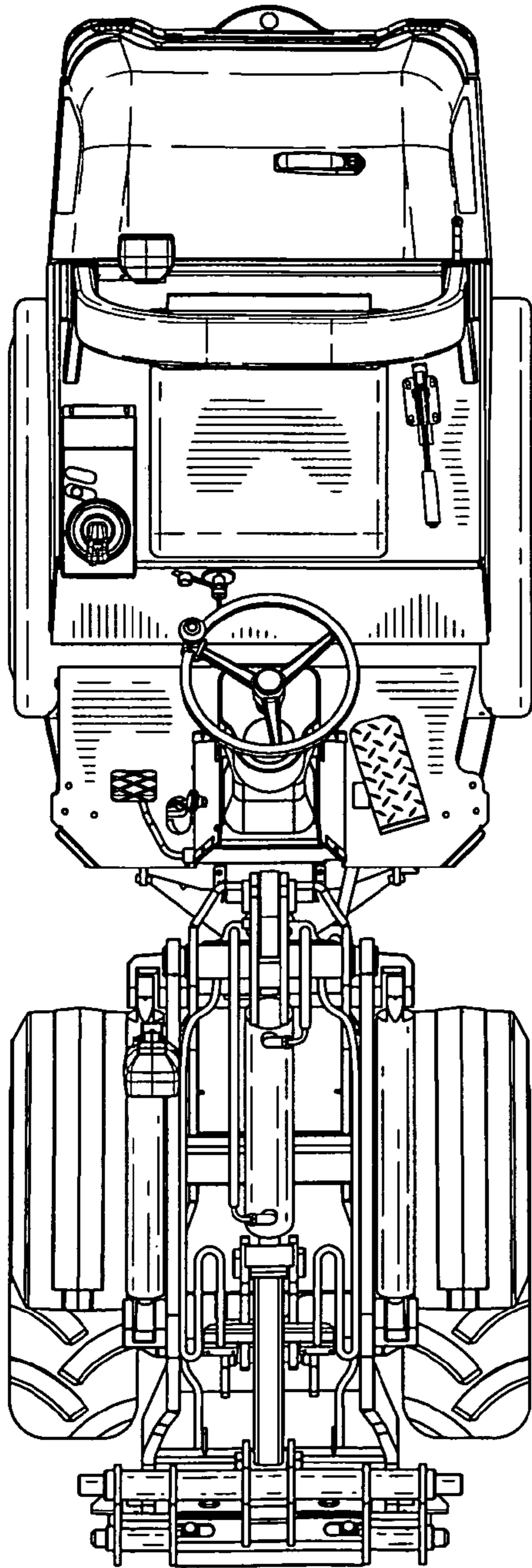


FIG-5

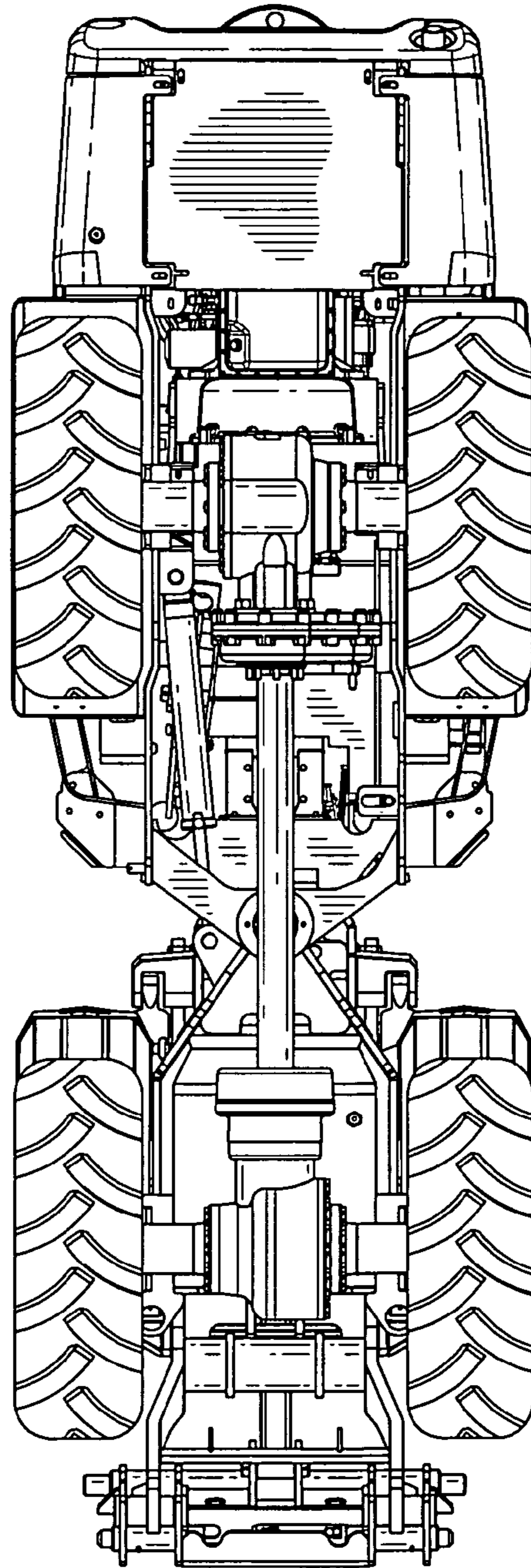


FIG-6