



US00D604747S

(12) **United States Design Patent**
Hodge

(10) **Patent No.:** **US D604,747 S**

(45) **Date of Patent:** **** Nov. 24, 2009**

(54) **LADDER FRAME OIL PUMP**

(75) Inventor: **Stephen Mark Hodge**, Tamworth (GB)

(73) Assignee: **Concentric PLC**, Birmingham (GB)

(**) Term: **14 Years**

(21) Appl. No.: **29/323,315**

(22) Filed: **Aug. 22, 2008**

(51) **LOC (9) Cl.** **15-02**

(52) **U.S. Cl.** **D15/9**

(58) **Field of Classification Search** D15/7-9;
D23/231, 232; 417/410.1, 359, 415-416,
417/234, 321, 265, 405, 313

See application file for complete search history.

(56) **References Cited**

U.S. PATENT DOCUMENTS

D506,477 S *	6/2005	Chu et al.	D15/9
D507,280 S *	7/2005	Chu et al.	D15/9
D529,049 S *	9/2006	Chu	D15/9
D529,050 S *	9/2006	Chu	D15/9
D529,517 S *	10/2006	Chu	D15/9
D529,927 S *	10/2006	Chu	D15/9
D529,928 S *	10/2006	Chu	D15/9
D529,929 S *	10/2006	Chu	D15/9
D529,930 S *	10/2006	Chu	D15/9
D533,881 S *	12/2006	Chu	D15/9
D540,824 S *	4/2007	Chu	D15/9
D541,307 S *	4/2007	Chu	D15/9
D541,308 S *	4/2007	Chu	D15/9
D554,666 S *	11/2007	Chu	D15/9
D554,667 S *	11/2007	Chu	D15/9
D555,174 S *	11/2007	Hwang	D15/9
D556,782 S *	12/2007	Chu	D15/9
D556,783 S *	12/2007	Chu	D15/9
D556,784 S *	12/2007	Chu	D15/9

D556,785 S *	12/2007	Chu	D15/9
D556,786 S *	12/2007	Chu	D15/9
D557,287 S *	12/2007	Chu	D15/9
D557,288 S *	12/2007	Chu	D15/9
D574,854 S *	8/2008	Chu	D15/9
D574,855 S *	8/2008	Chu	D15/9
D574,858 S *	8/2008	Chu	D15/9
D575,306 S *	8/2008	Chu	D15/9
D575,307 S *	8/2008	Chu	D15/9
D575,802 S *	8/2008	Chu	D15/9
D589,064 S *	3/2009	Chu	D15/9
D589,534 S *	3/2009	Chu	D15/9

* cited by examiner

Primary Examiner—R. Seifert

(74) *Attorney, Agent, or Firm*—Buchanan Ingersoll & Rooney PC

(57) **CLAIM**

The ornamental design for a ladder frame oil pump, as shown and described.

DESCRIPTION

FIG. 1 is a front perspective view of a ladder frame oil pump according to my new design.

FIG. 2 is a front elevational view thereof.

FIG. 3 is a rear elevational view thereof.

FIG. 4 is a right side elevational view thereof.

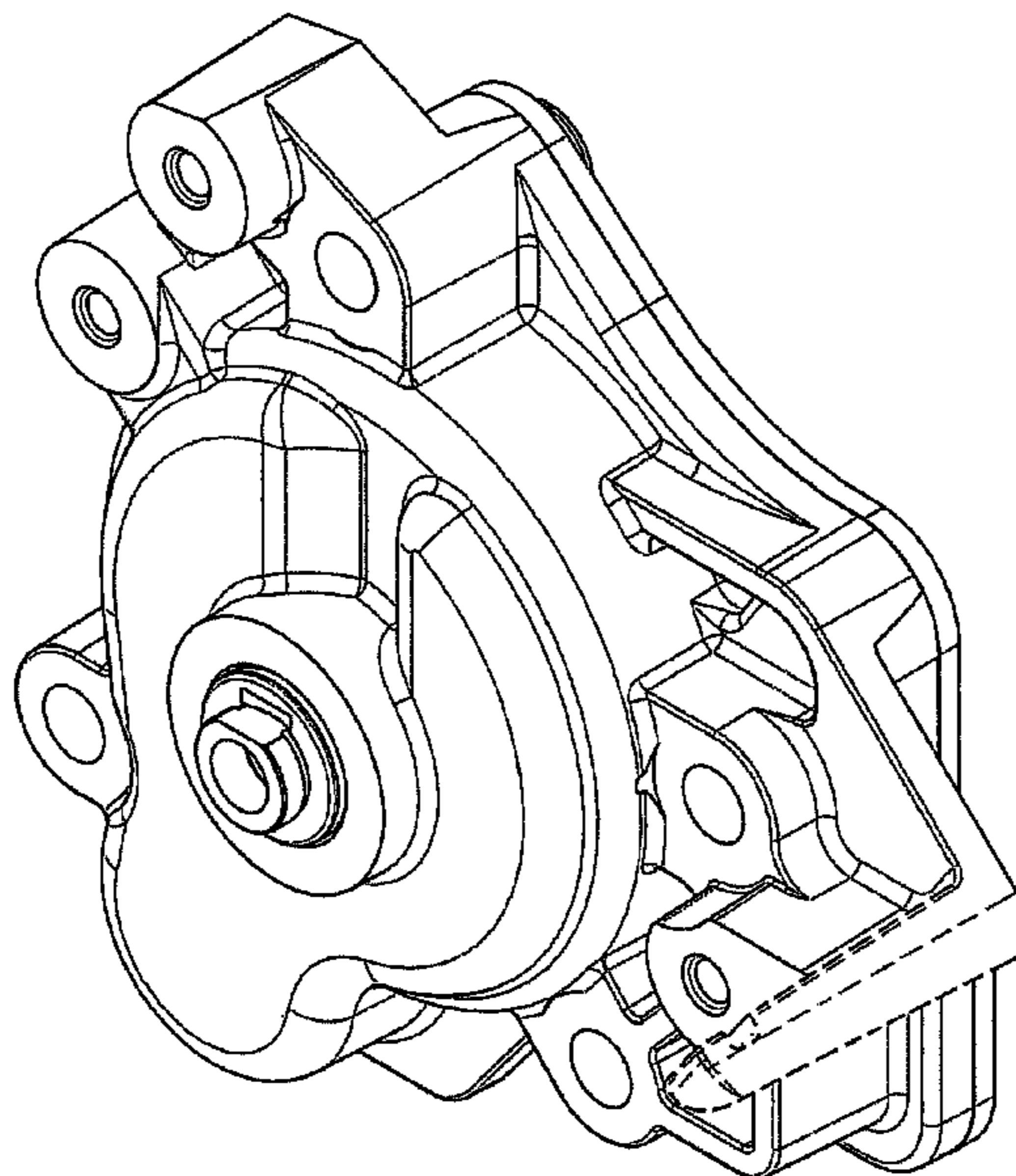
FIG. 5 is a left side elevational view thereof.

FIG. 6 is a top view thereof; and,

FIG. 7 is a bottom view thereof.

The broken line showing of a portion of the oil pump is for illustrative purposes only and forms no part of the claimed design.

1 Claim, 7 Drawing Sheets



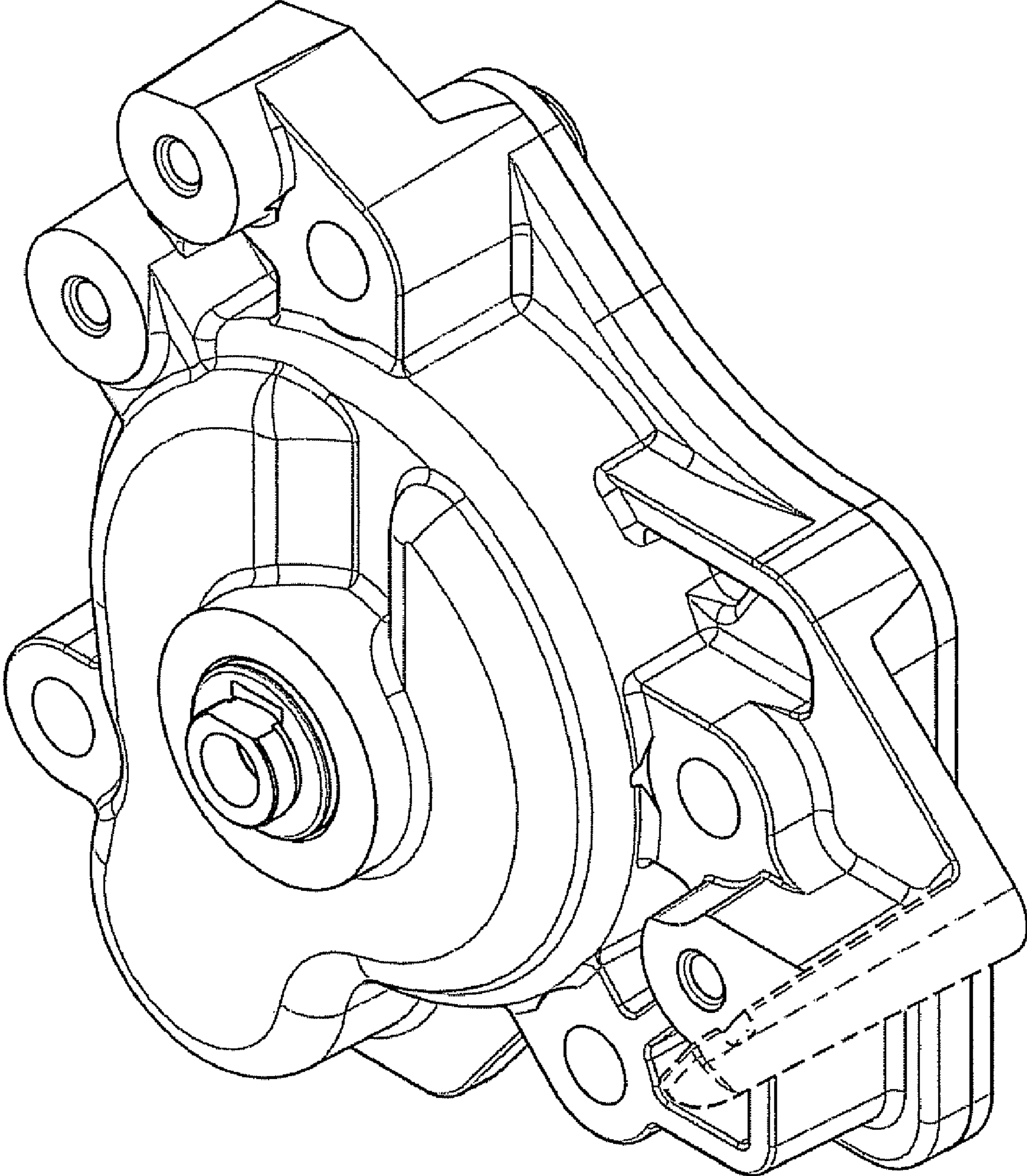


FIG. 1

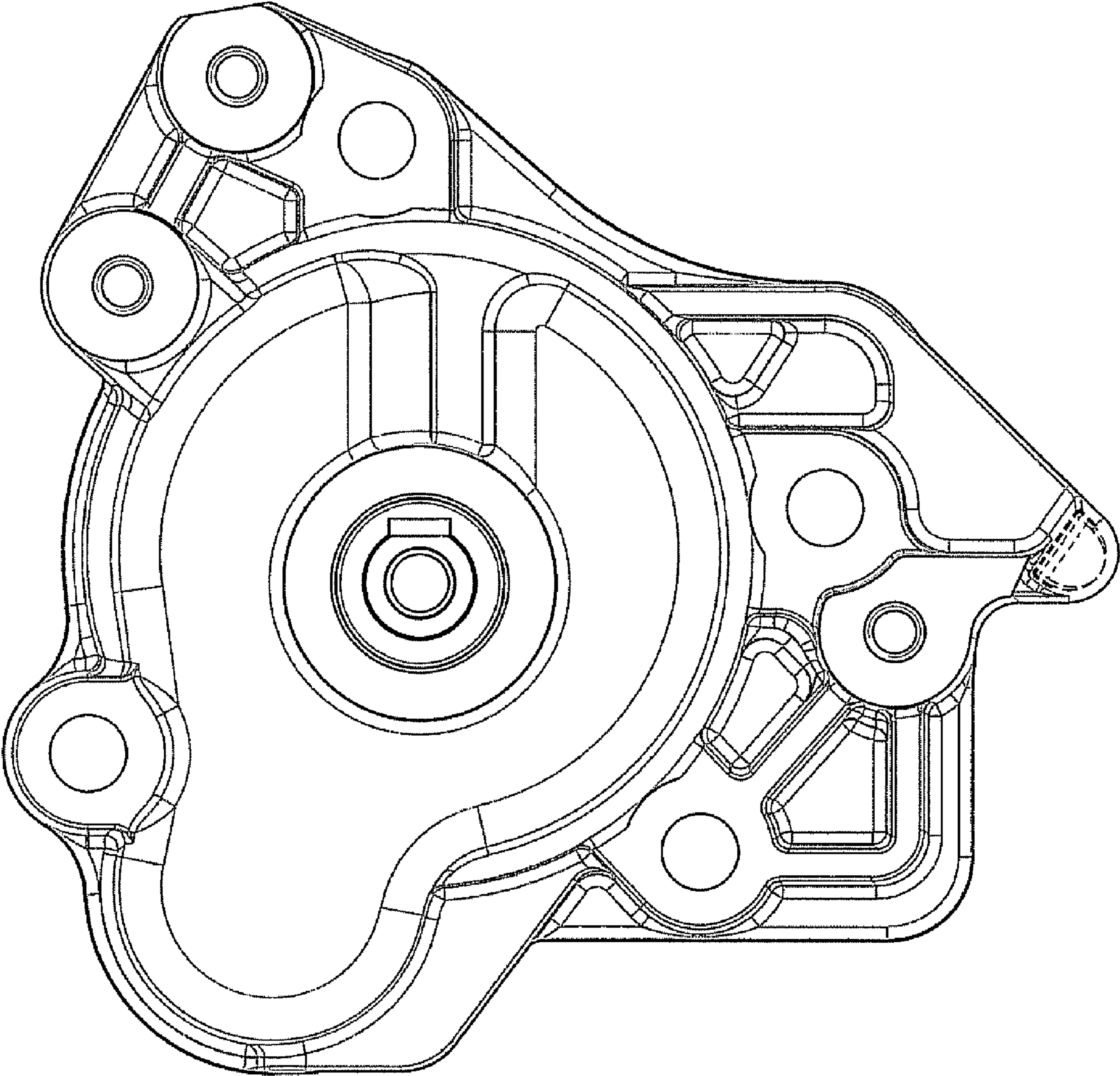
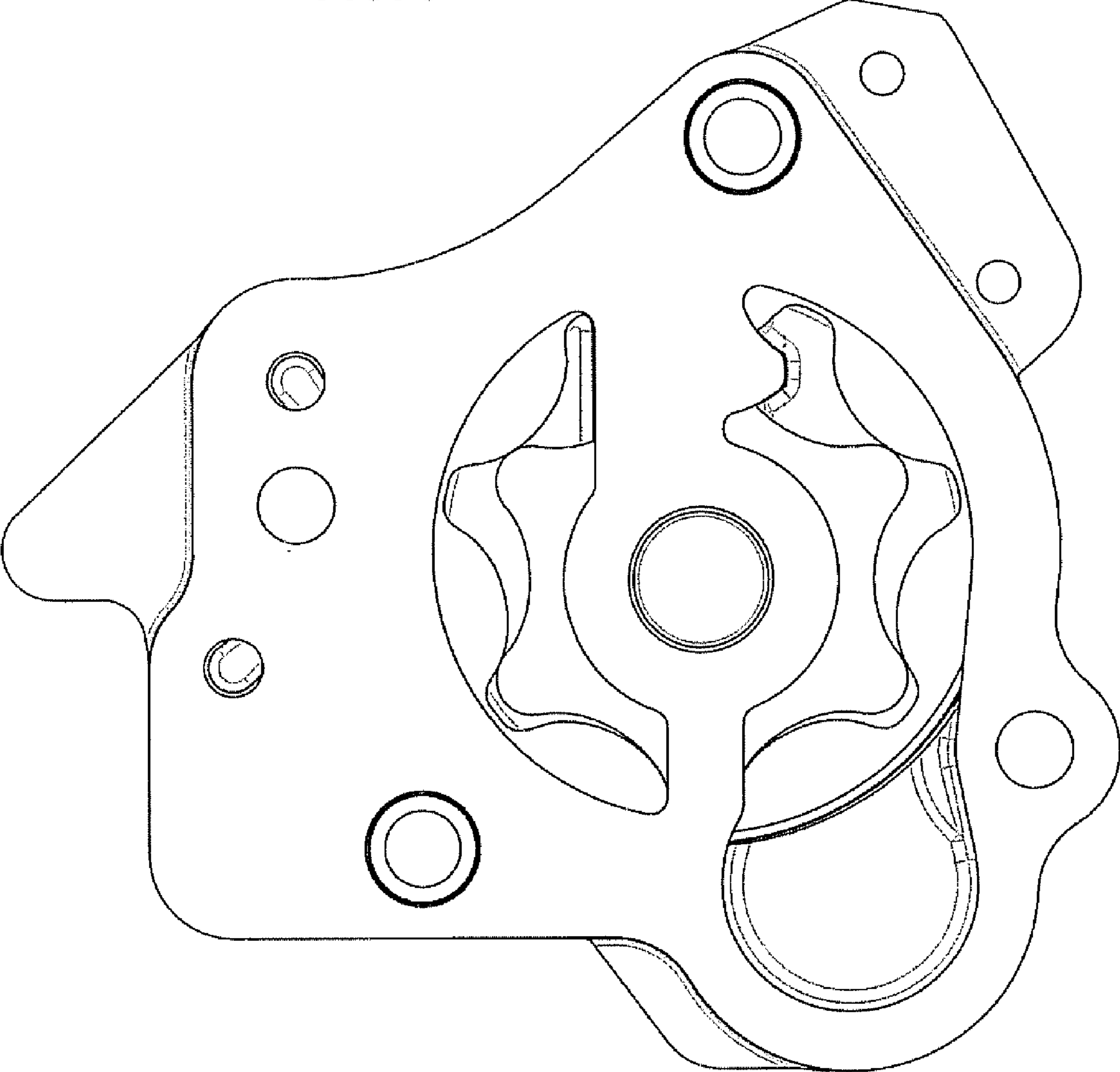


FIG. 2

FIG. 3



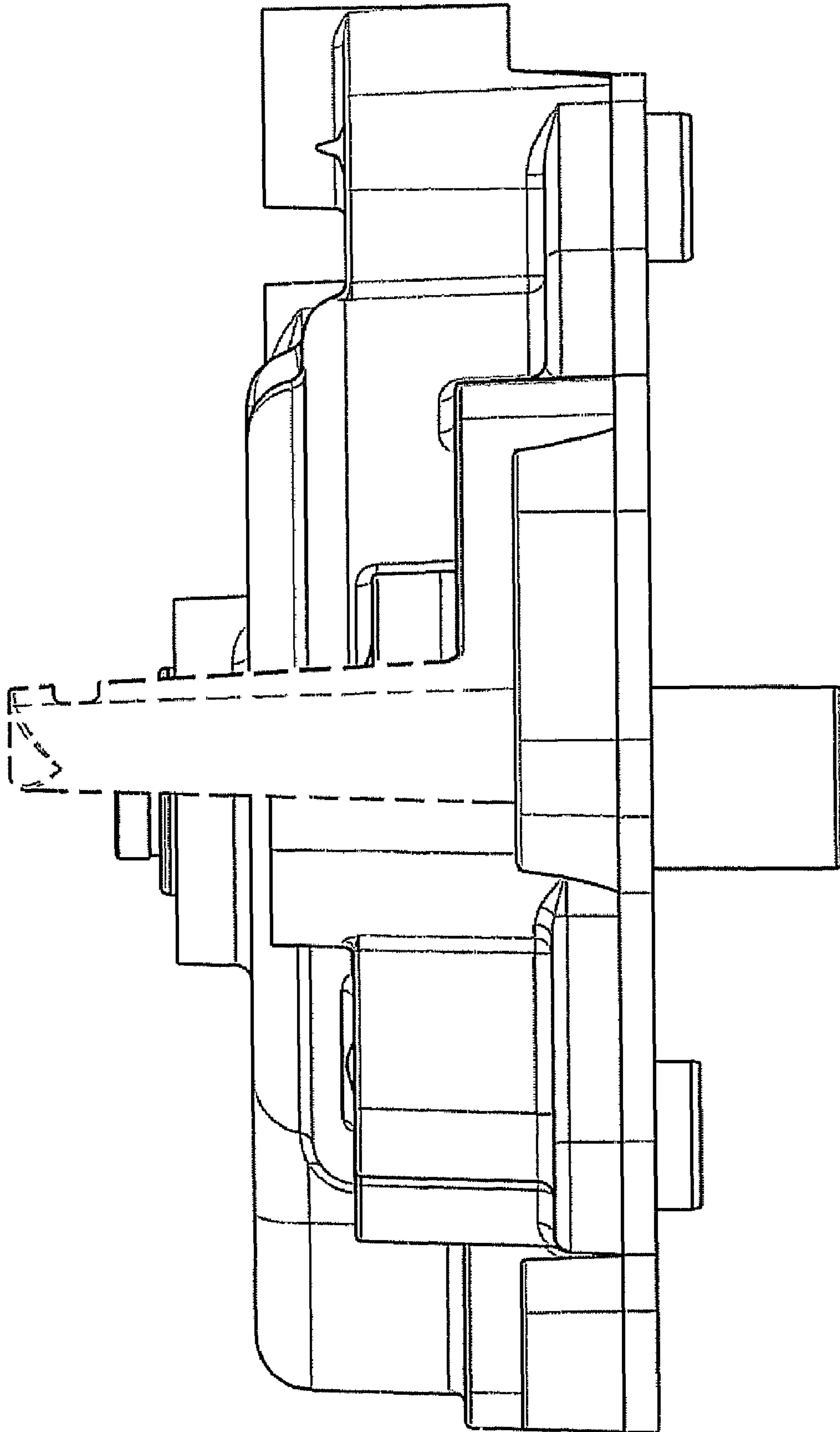


FIG. 4

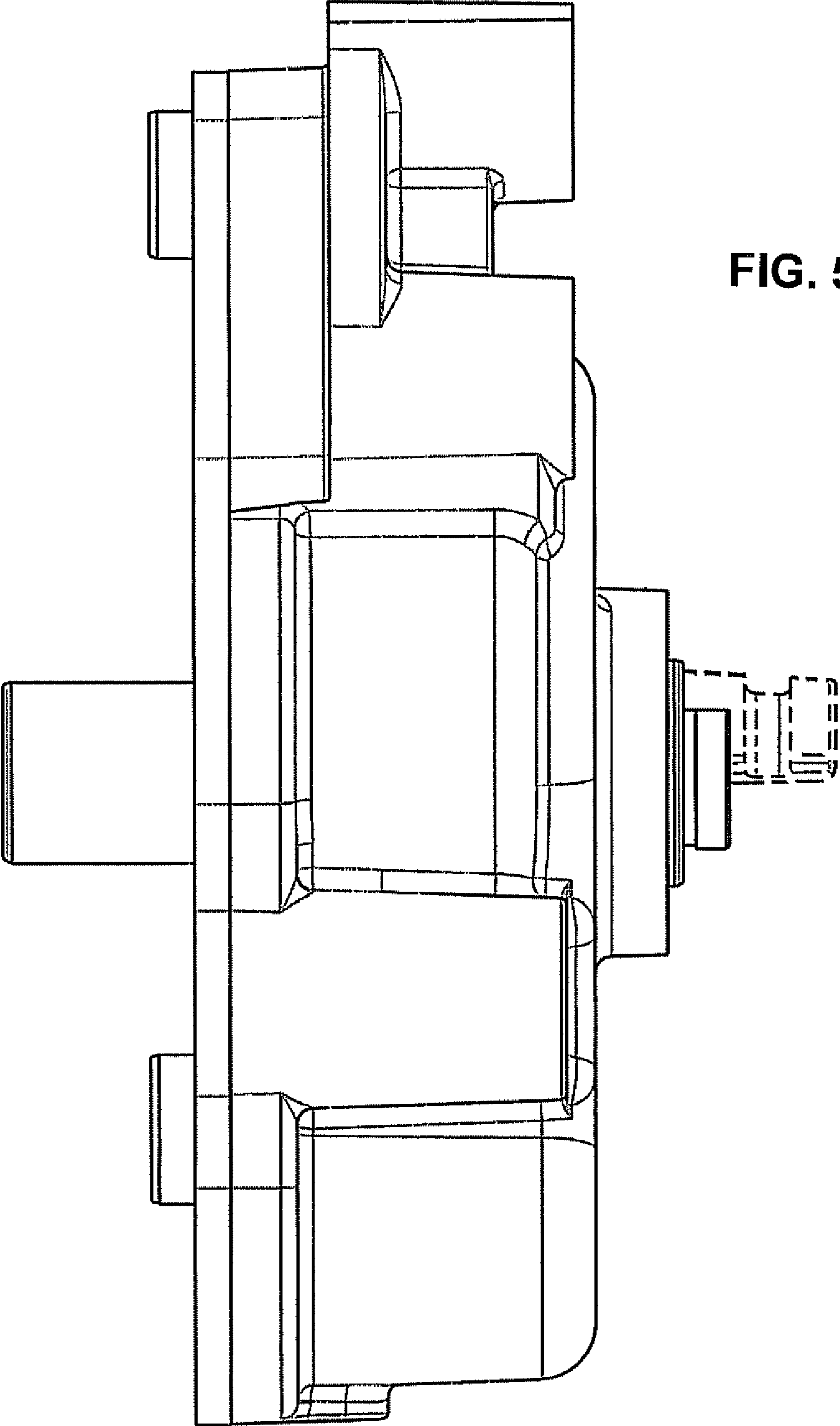


FIG. 5

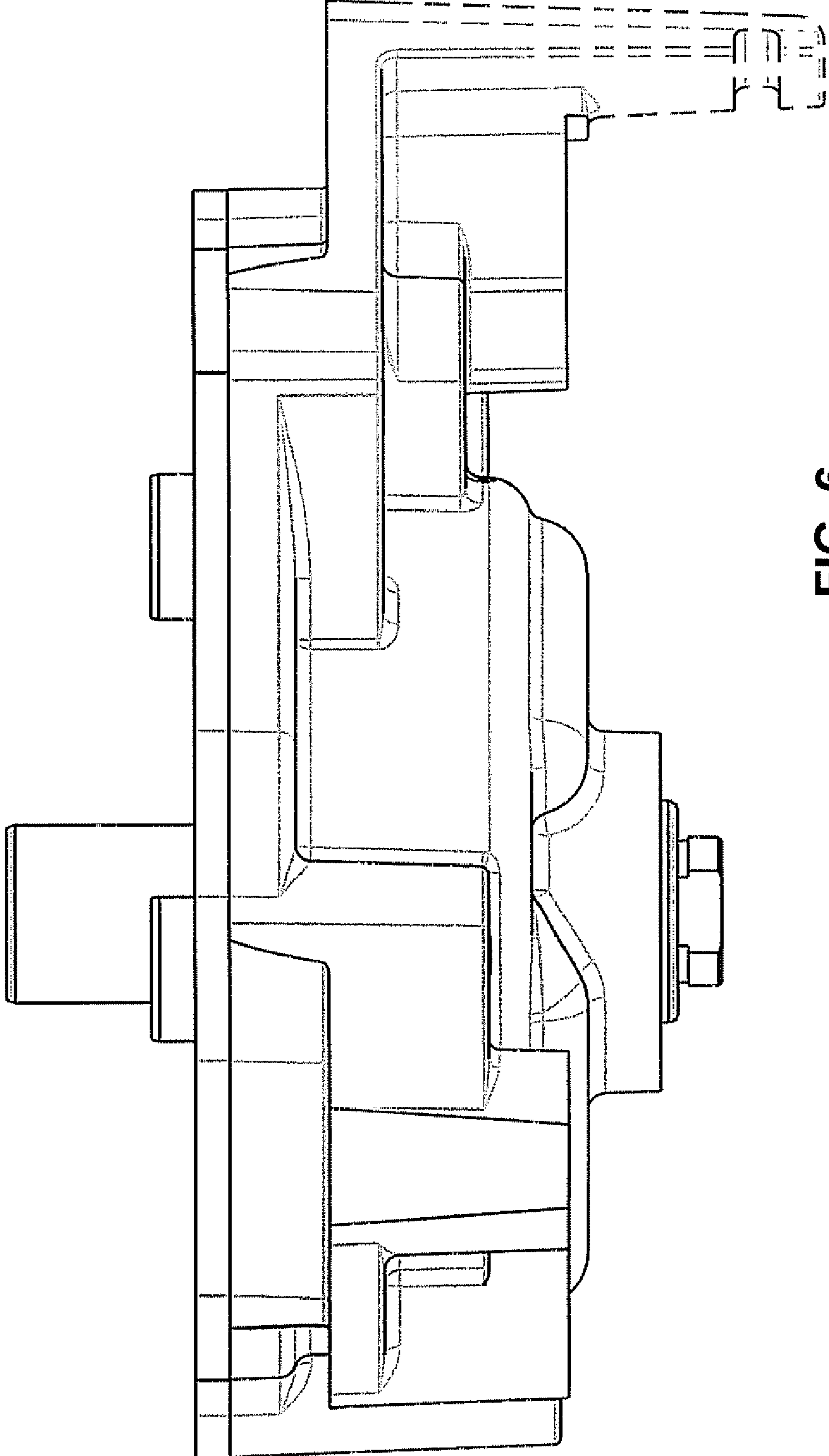


FIG. 6

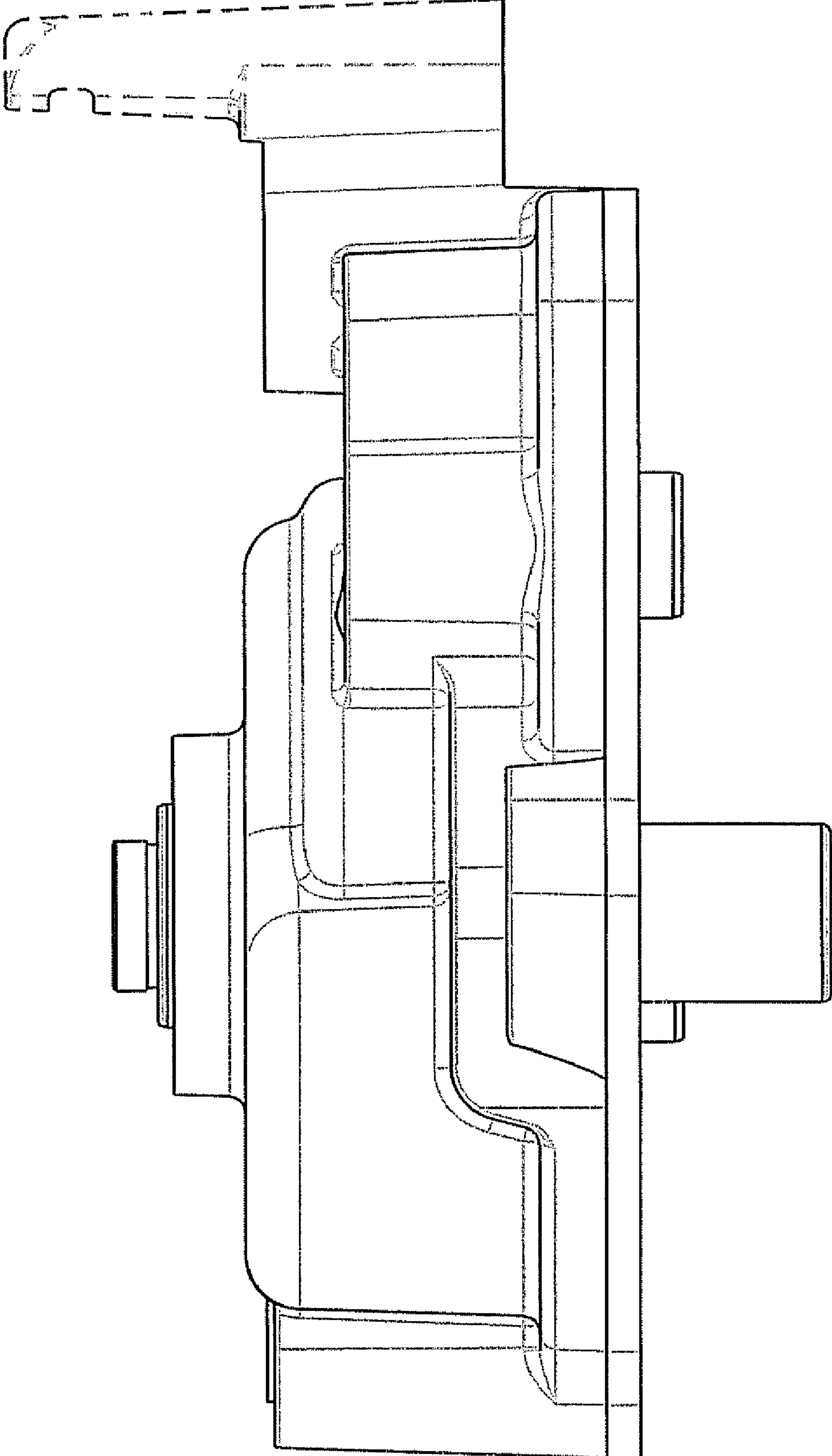


FIG. 7