



US00D604737S

(12) **United States Design Patent**  
**Symons**

(10) **Patent No.:** **US D604,737 S**  
(45) **Date of Patent:** **\*\* Nov. 24, 2009**

(54) **EXTENDED DESK ORGANIZER FOR NOTEBOOK COMPUTERS**

(75) Inventor: **Dominic Symons**, Pasadena, CA (US)

(73) Assignee: **Blue Lounge Design, LLC**, Pasadena, CA (US)

(\*\*) Term: **14 Years**

(21) Appl. No.: **29/304,457**

(22) Filed: **Mar. 3, 2008**

(51) **LOC (9) Cl.** ..... **14-02**

(52) **U.S. Cl.** ..... **D14/434**

(58) **Field of Classification Search** ..... D14/432-434, D14/356-358, 451; D13/147, 146, 110, D13/139.4, 155, 154; 361/683, 685-688, 361/679, 690, 697, 801, 725, 726, 727, 735, 361/724, 832, 797; 439/638, 341, 372, 142, 439/501, 74, 928, 894, 131, 527, 535, 569; 710/303, 2, 1, 100; 248/346.01, 553, 49, 248/68.1; 429/98, 100; 312/223.1, 223.6, 312/194; 70/58; 455/73, 90.3, 347; 320/116; 713/340; 174/72 A, 135, 138 E, 498, 481, 174/50, 101, 68.3, 504, 70 C, 494, 500, 57, 174/67; 108/26, 50.02; 206/388, 702, 408, 206/63.3, 392, 394, 416, 49, 83; 242/388.1, 242/405.2, 407, 405.1; 59/78.1; 52/312, 52/716.1; D25/119; 24/115 J, 115 R, 909; 16/224; 29/825, 33 F, 857, 850, 861, 826-832  
See application file for complete search history.

(56) **References Cited**

**U.S. PATENT DOCUMENTS**

4,163,867 A \* 8/1979 Breidenbach ..... 174/481

(Continued)

*Primary Examiner*—Susan Moon Lee  
(74) *Attorney, Agent, or Firm*—Law Office of David Hong

(57) **CLAIM**

The ornamental design for an extended desk organizer for notebook computers, as shown and described.

**DESCRIPTION**

FIG. 1 is a front plan view of an embodiment of an extended desk organizer for notebook computers.

FIG. 2 is a front perspective view of an embodiment of the extended desk organizer for notebook computers with the “bluelounge” mark logo.

FIG. 3 is a rear perspective view of an embodiment of the extended desk organizer for notebook computers with the “bluelounge” mark logo.

FIG. 4 is a first or right side view of an embodiment of the extended desk organizer for notebook computers; note that the second or left side view would be a mirror image of the first or right side view.

FIG. 5 is a top view of an embodiment of the extended desk organizer for notebook computers with the “bluelounge” mark logo.

FIG. 6 is a rear plan view of an embodiment of the extended desk organizer for notebook computers.

FIG. 7 is a bottom perspective view of an embodiment of the extended desk organizer for notebook computers.

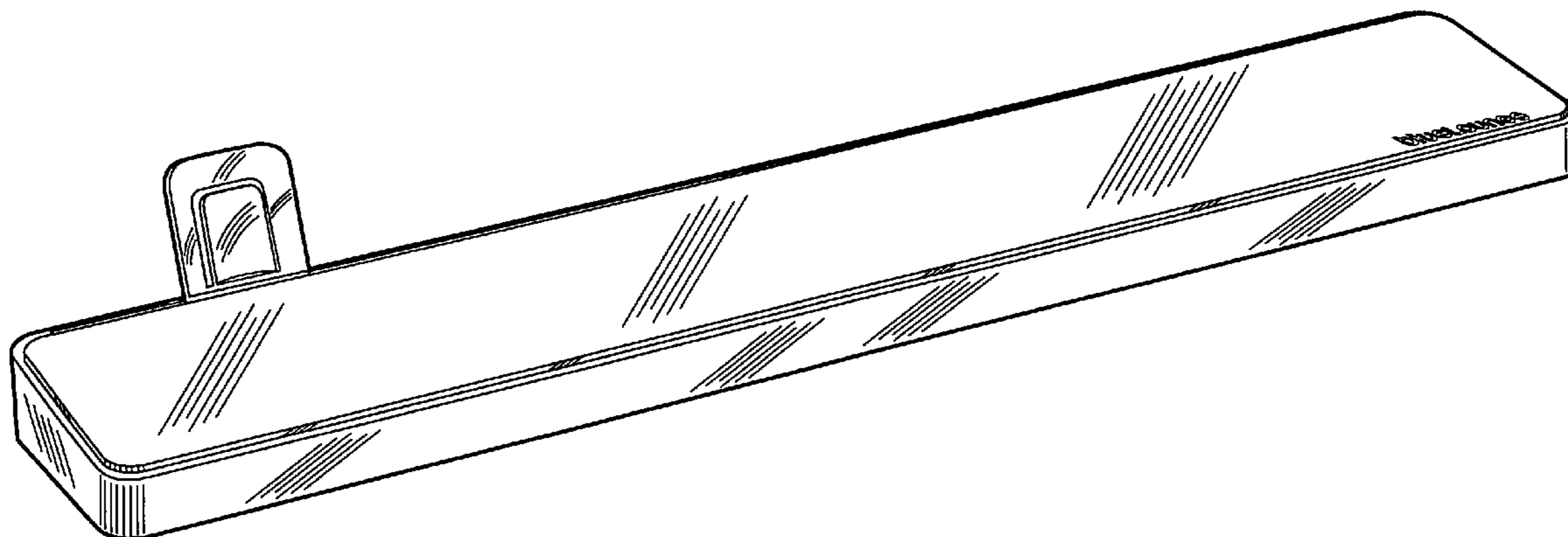
FIG. 8 is a view of the bottom portion an embodiment of the extended desk organizer for notebook computers.

FIG. 9 a rear perspective view of an embodiment of the extended desk organizer for notebook computers without the “bluelounge” mark logo.

FIG. 10 is a front perspective view of an embodiment of the extended desk organizer for notebook computers without the “bluelounge” mark logo; and,

FIG. 11 is a top view of an embodiment of the extended desk organizer for notebook computers without the “bluelounge” mark logo.

**1 Claim, 11 Drawing Sheets**



# US D604,737 S

## U.S. PATENT DOCUMENTS

D271,895	S *	12/1983	Runions	.....	D21/392	6,563,702	B1 *	5/2003	Shin et al.	.....	361/686
4,582,196	A *	4/1986	Hughson et al.	.....	206/63.3	D477,767	S *	7/2003	Burdett et al.	.....	D8/330
5,029,704	A *	7/1991	Stillinger	.....	206/702	6,628,517	B1 *	9/2003	Helot et al.	.....	361/686
5,071,367	A *	12/1991	Luu	.....	439/501	D483,018	S *	12/2003	Chen	.....	D13/164
5,186,646	A *	2/1993	Pederson	.....	439/374	6,674,637	B2 *	1/2004	Shin et al.	.....	361/683
5,230,552	A *	7/1993	Schipper et al.	.....	312/223.6	6,722,917	B2 *	4/2004	Huang	.....	439/501
5,231,562	A *	7/1993	Pierce et al.	.....	361/832	6,724,615	B2 *	4/2004	Kabayashi et al.	.....	361/683
5,235,136	A *	8/1993	Santucci et al.	.....	174/68.3	6,757,166	B2 *	6/2004	DeLuga et al.	.....	361/686
5,375,708	A *	12/1994	Wittman	.....	206/315.1	6,768,652	B2 *	7/2004	DeLuga	.....	361/801
D354,733	S *	1/1995	Ingraham	.....	D13/155	6,804,113	B2 *	10/2004	Kabayashi et al.	.....	361/686
D359,034	S *	6/1995	Kondo	.....	D14/434	6,813,145	B2 *	11/2004	DeLuga	.....	361/679
5,460,547	A *	10/1995	Belt et al.	.....	439/638	6,833,989	B2 *	12/2004	Helot et al.	.....	361/686
D366,470	S *	1/1996	Youens et al.	.....	D14/434	D505,958	S *	6/2005	Cheng	.....	D14/434
5,516,298	A *	5/1996	Smith	.....	439/131	D506,726	S *	6/2005	Suckle et al.	.....	D13/110
D370,458	S *	6/1996	Fladung et al.	.....	D13/139.8	6,934,788	B2 *	8/2005	Laity et al.	.....	710/303
D373,569	S *	9/1996	van Engelen et al.	.....	D13/147	6,948,966	B2 *	9/2005	Kabayashi et al.	.....	439/362
5,580,182	A *	12/1996	Lin	.....	403/325	D511,143	S *	11/2005	Diatschenko et al.	.....	D13/153
5,641,588	A *	6/1997	Sieminski et al.	.....	429/98	7,038,908	B2 *	5/2006	Usui et al.	.....	361/686
5,645,434	A *	7/1997	Leung	.....	439/74	7,078,617	B1 *	7/2006	Luciere	.....	174/500
D384,044	S *	9/1997	Tanimura	.....	D14/434	D535,257	S *	1/2007	Byrne	.....	D13/139.4
D400,515	S *	11/1998	Shima	.....	D14/433	D554,582	S *	11/2007	Iseki	.....	D13/108
5,841,424	A *	11/1998	Kikinis	.....	345/168	D561,186	S *	2/2008	Kawase	.....	D14/434
D405,064	S *	2/1999	Iino	.....	D14/434	7,381,079	B2 *	6/2008	Chuang	.....	439/352
D413,312	S *	8/1999	Suzuki	.....	D14/434	2003/0008566	A1 *	1/2003	Kato et al.	.....	439/638
D413,574	S *	9/1999	Goto	.....	D13/146	2003/0119384	A1 *	6/2003	Zhang	.....	439/894
5,959,287	A *	9/1999	Myers et al.	.....	235/472.02	2003/0148656	A1 *	8/2003	Huang	.....	439/501
D430,882	S *	9/2000	Tsai	.....	D14/434	2003/0211784	A1 *	11/2003	Wu et al.	.....	439/638
D443,860	S *	6/2001	Ogasawara	.....	D13/146	2004/0043657	A1 *	3/2004	Helot et al.	.....	439/535
6,406,327	B1 *	6/2002	Soon	.....	439/501	2005/0116685	A1 *	6/2005	Liu et al.	.....	320/116
6,411,503	B1 *	6/2002	Kabayashi et al.	.....	361/683	2006/0250767	A1 *	11/2006	Brophy et al.	.....	361/686
D472,213	S *	3/2003	Byrne	.....	D13/139.4	2007/0072485	A1 *	3/2007	Lin et al.	.....	439/527

\* cited by examiner

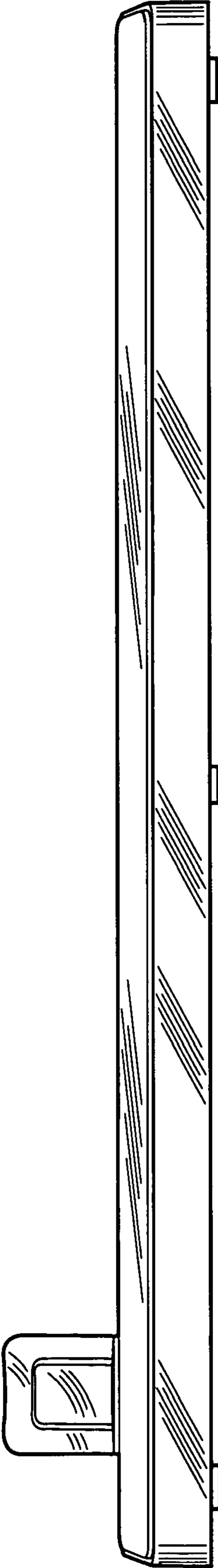


FIG. 1

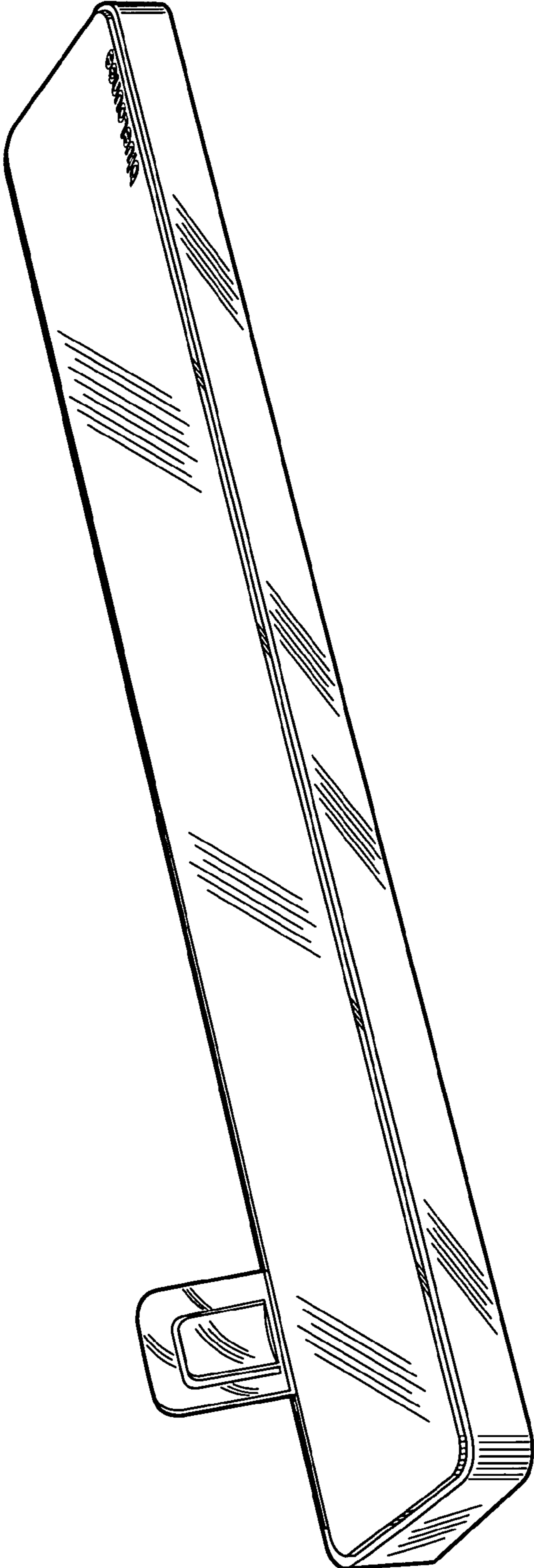


FIG. 2



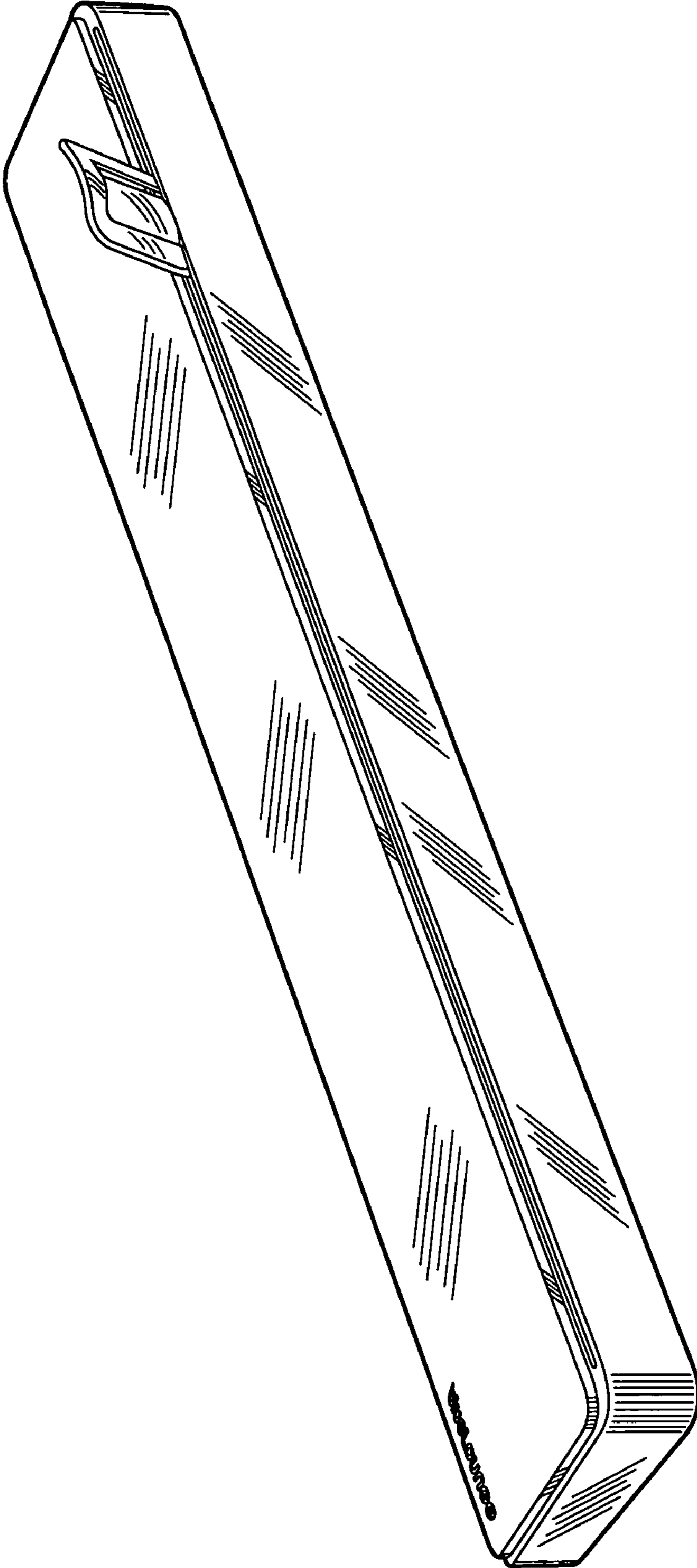


FIG. 3

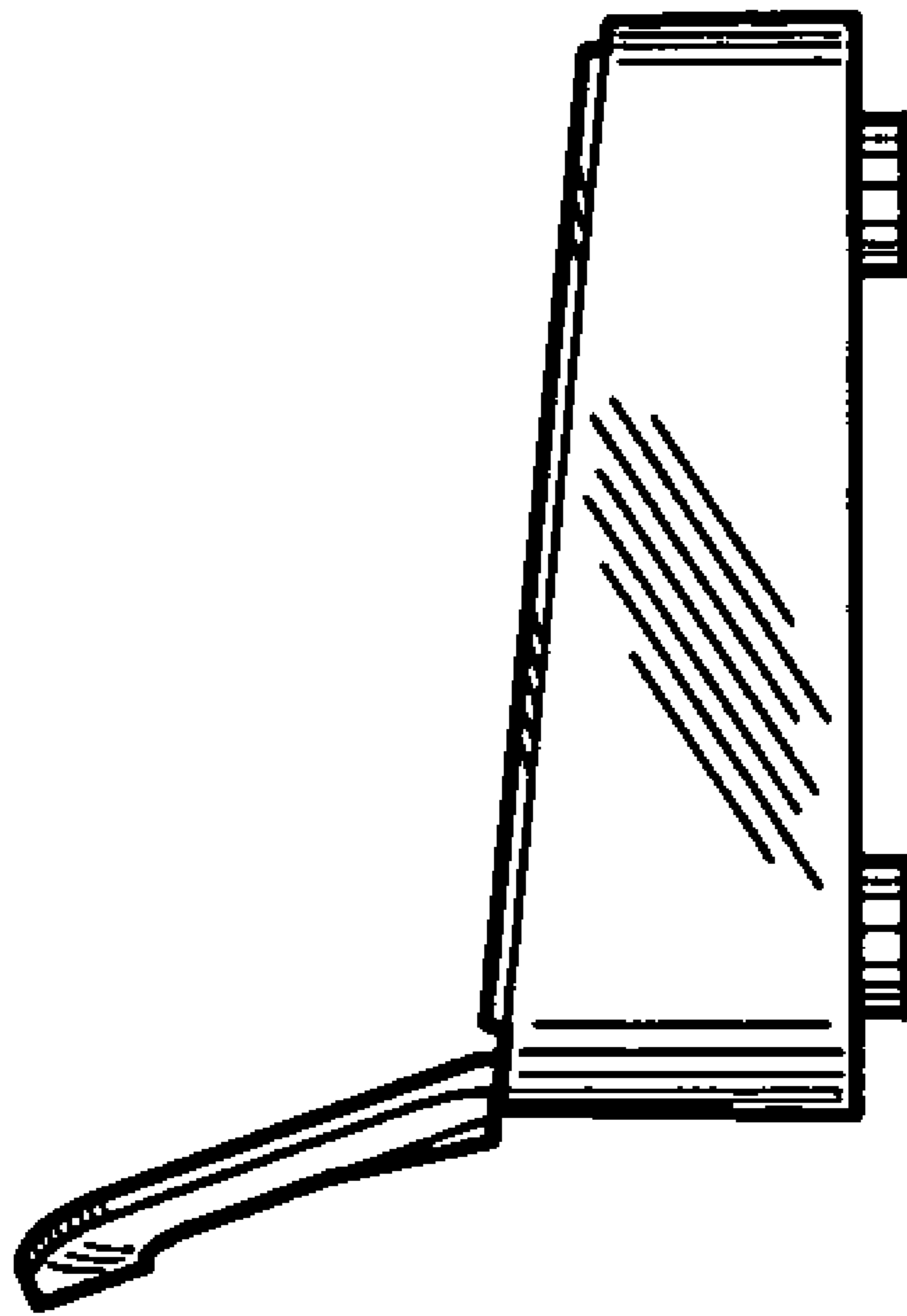


FIG. 4

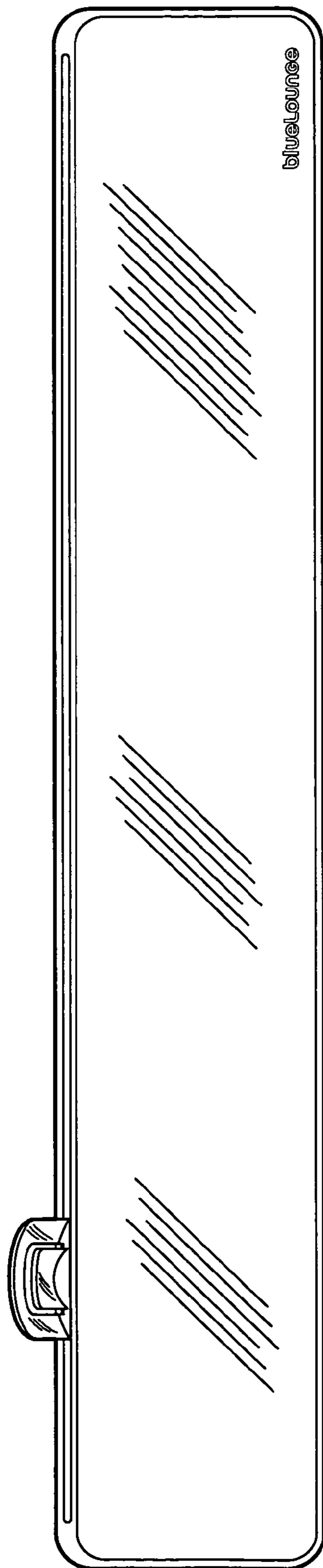


FIG. 5

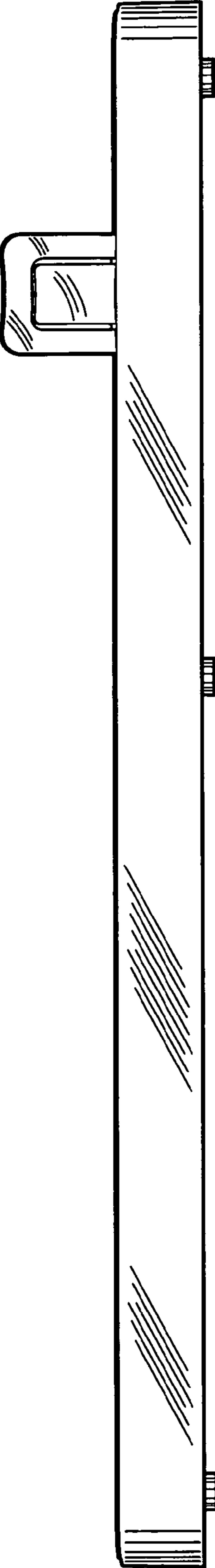


FIG. 6



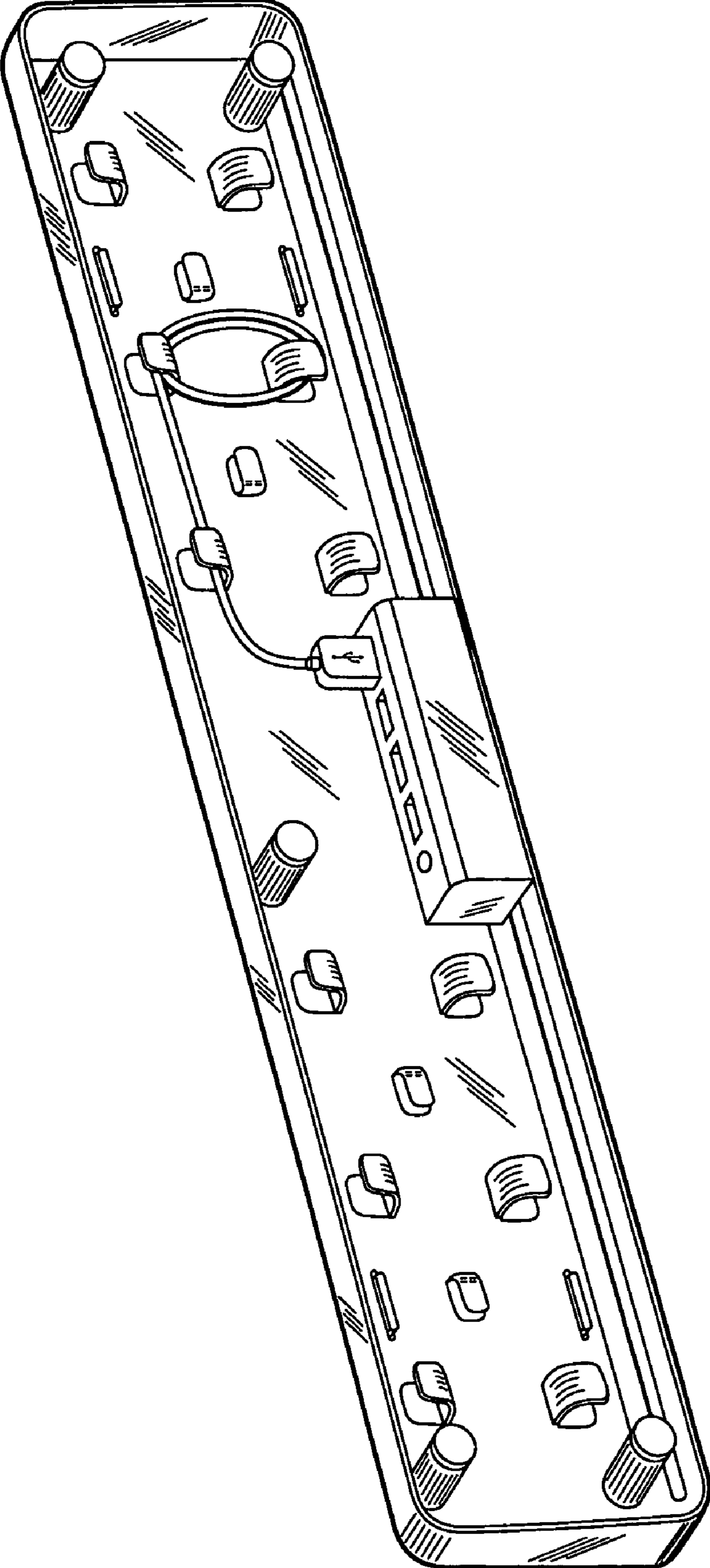


FIG. 7

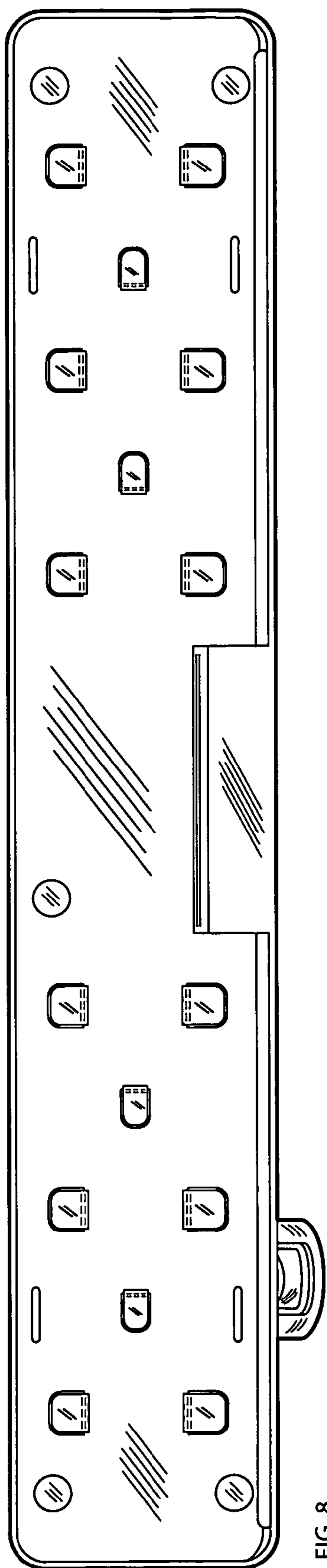


FIG. 8

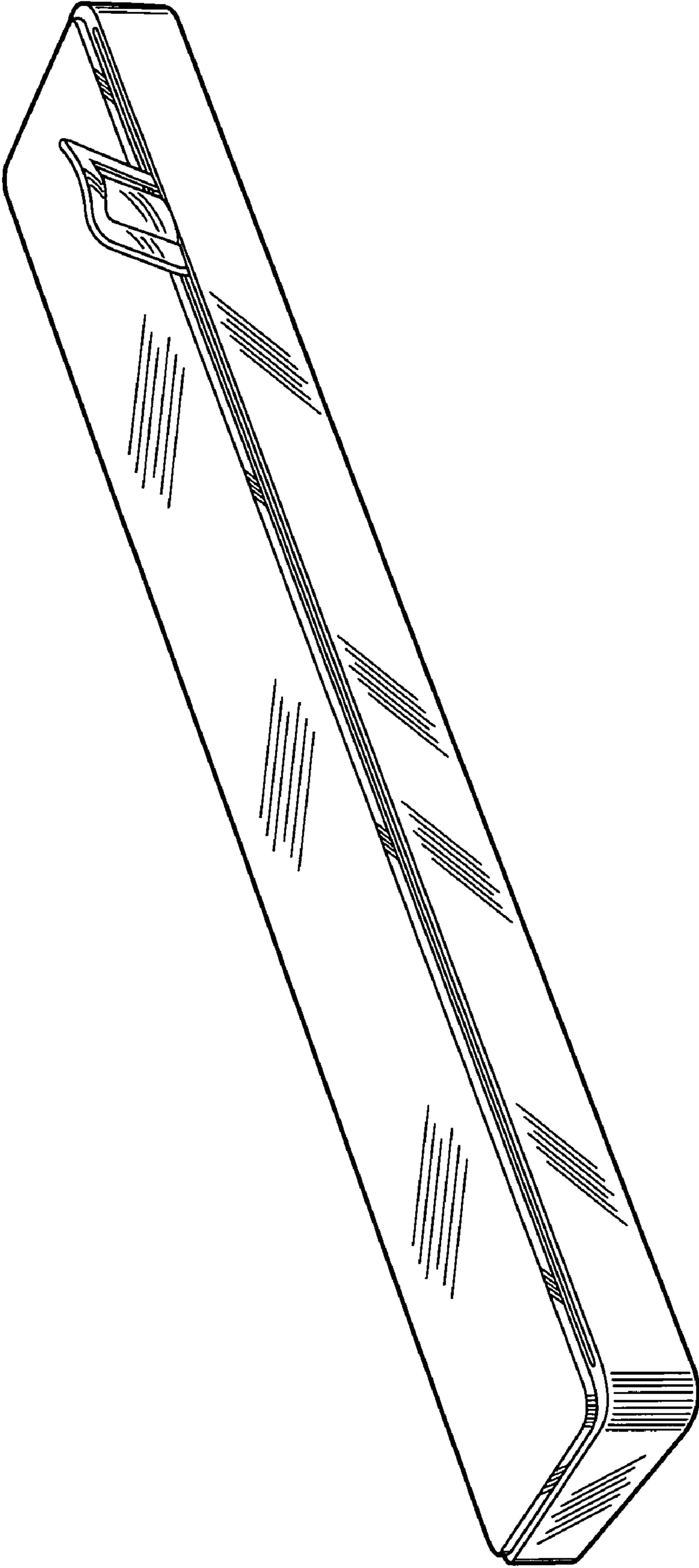


FIG. 9

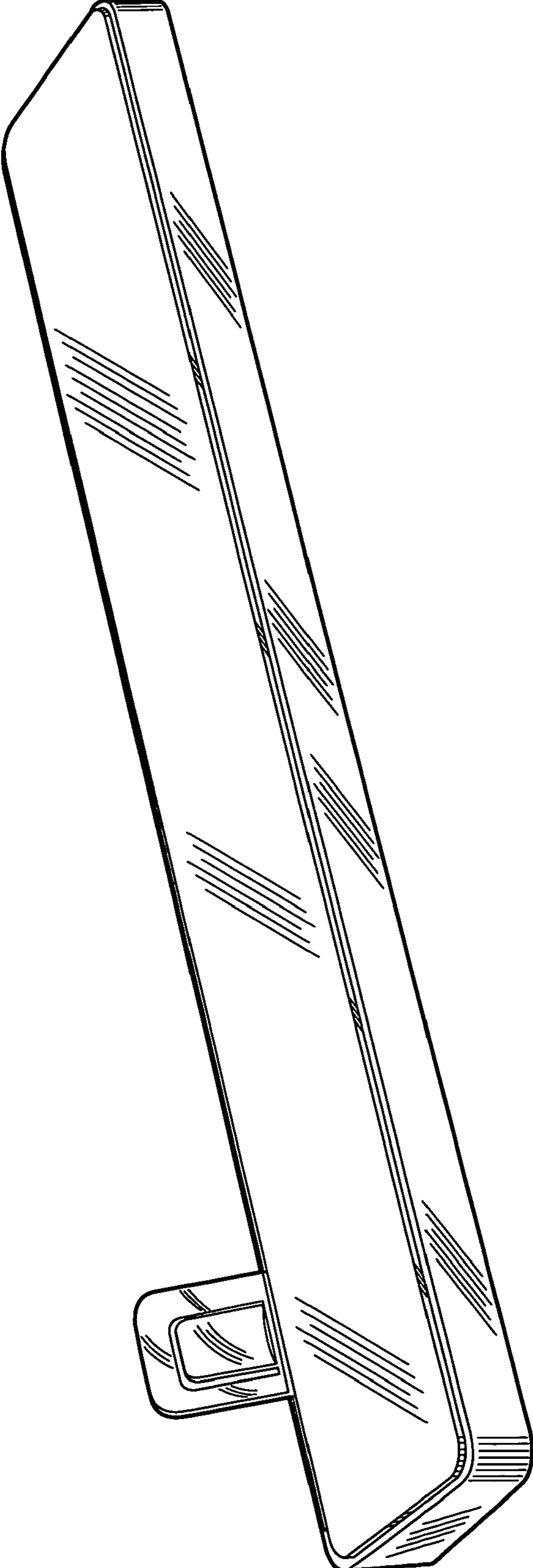


FIG. 10

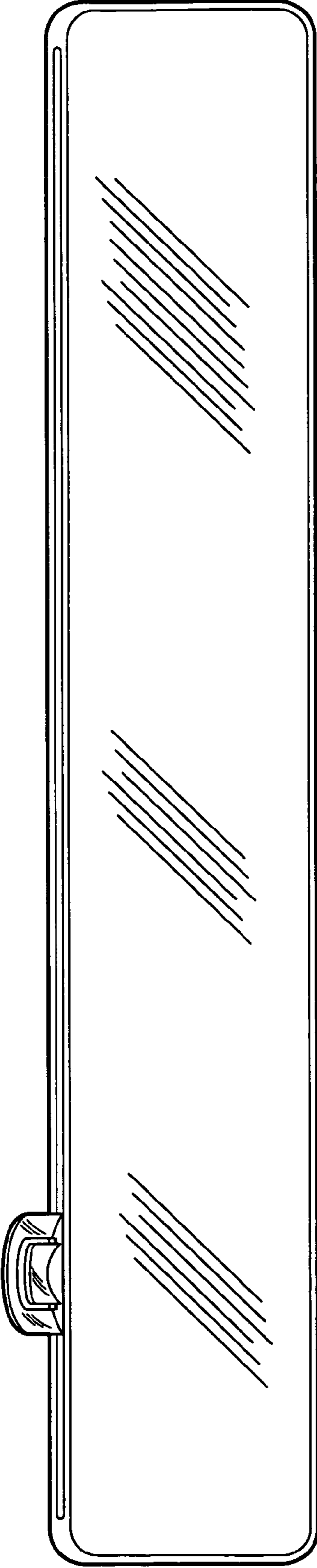


FIG. 11