



US00D604735S

(12) **United States Design Patent**  
**Hirasawa et al.**

(10) **Patent No.:** **US D604,735 S**

(45) **Date of Patent:** **\*\* \*Nov. 24, 2009**

(54) **DISPLAY**

(75) Inventors: **Kenichi Hirasawa**, Tokyo (JP);  
**Yoshihito Mochizuki**, Tokyo (JP);  
**Chin-Jen Lin**, Taipei (TW)

(73) Assignee: **NEC Display Solutions, Ltd.**, Tokyo (JP)

(\*) Notice: This patent is subject to a terminal disclaimer.

(\*\*) Term: **14 Years**

(21) Appl. No.: **29/321,626**

(22) Filed: **Jul. 21, 2008**

(30) **Foreign Application Priority Data**

Jan. 28, 2008 (JP) ..... 2008-001602

(51) **LOC (9) Cl.** ..... **14-02**

(52) **U.S. Cl.** ..... **D14/375**

(58) **Field of Classification Search** ..... D14/371-375,  
D14/336, 337, 341, 320, 331, 125-129; 341/12,  
341/22; 345/104, 156, 168, 173, 901-905;  
348/180, 184, 325, 837; 349/1, 2, 11, 62;  
361/679.08, 679.23

See application file for complete search history.

(56) **References Cited**

**U.S. PATENT DOCUMENTS**

D411,522 S \* 6/1999 Chuo et al. .... D14/375  
D494,941 S \* 8/2004 Kim ..... D14/126  
6,807,051 B2 \* 10/2004 Takahashi ..... 361/679.23  
D522,509 S \* 6/2006 Park et al. .... D14/375

D534,879 S \* 1/2007 Imboden et al. .... D14/126  
D545,315 S \* 6/2007 Kim ..... D14/375  
D545,316 S \* 6/2007 Kim ..... D14/375  
D545,780 S \* 7/2007 Kita ..... D14/126  
D556,159 S \* 11/2007 Park et al. .... D14/126  
D556,160 S \* 11/2007 Lee et al. .... D14/126

\* cited by examiner

*Primary Examiner*—Freda S Nunn

(74) *Attorney, Agent, or Firm*—Sughrue Mion, PLLC

(57) **CLAIM**

The ornamental design for a display, as shown and described.

**DESCRIPTION**

FIG. 1 is a front, right side, top perspective view of a display showing our new design;

FIG. 2 is a front elevational view thereof;

FIG. 3 is a rear elevational view thereof;

FIG. 4 is a left side view thereof;

FIG. 5 is a right side view thereof;

FIG. 6 is a top plan view thereof;

FIG. 7 is a bottom plan view thereof;

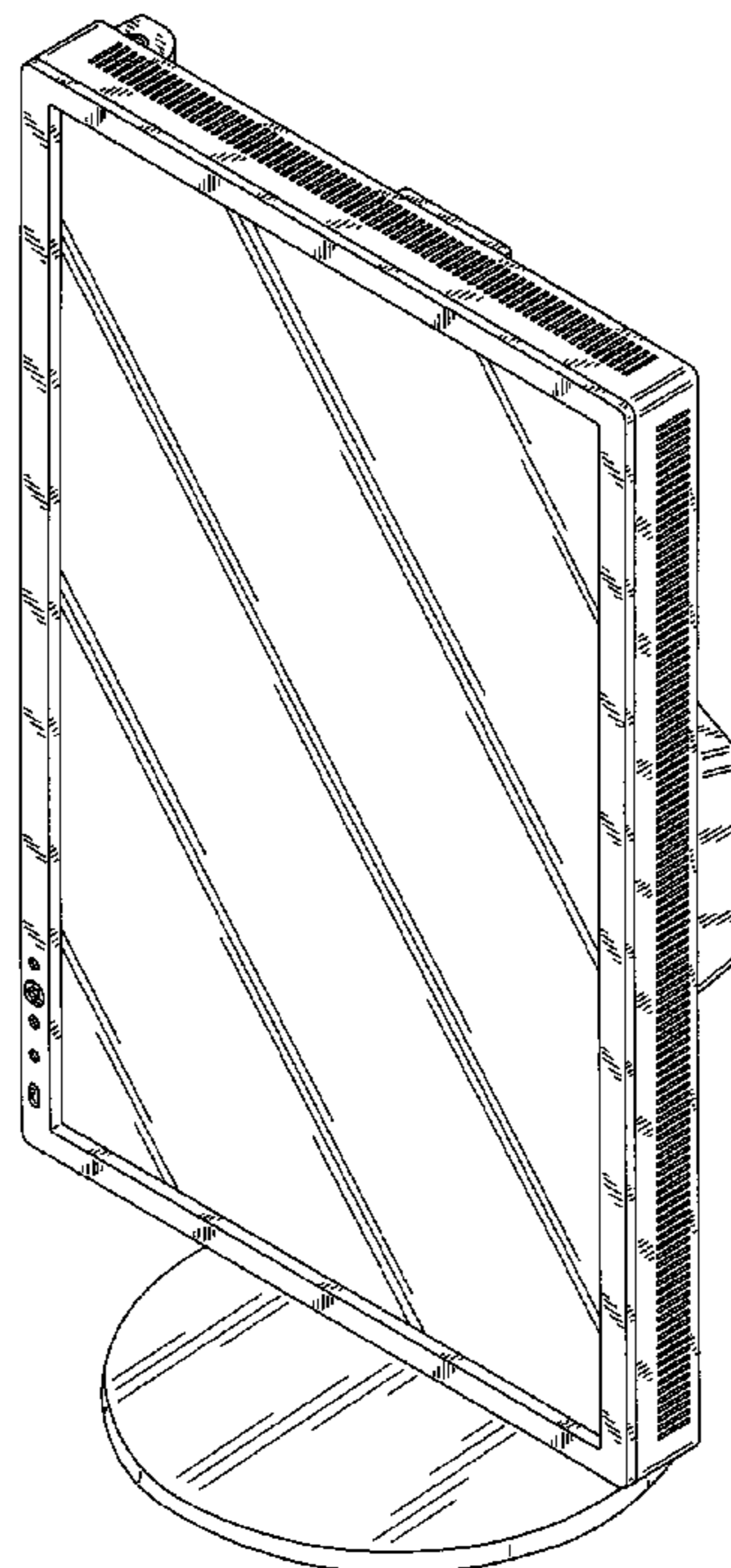
FIG. 8 is a perspective view thereof showing a state in which the leg part is extended;

FIG. 9 is a rear elevational view thereof showing a state in which the leg part is extended;

FIG. 10 is a right side view thereof showing a state in which the leg part is extended; and,

FIG. 11 is a perspective view thereof showing a state in which the leg part is extended and the display portion is rotated.

**1 Claim, 10 Drawing Sheets**



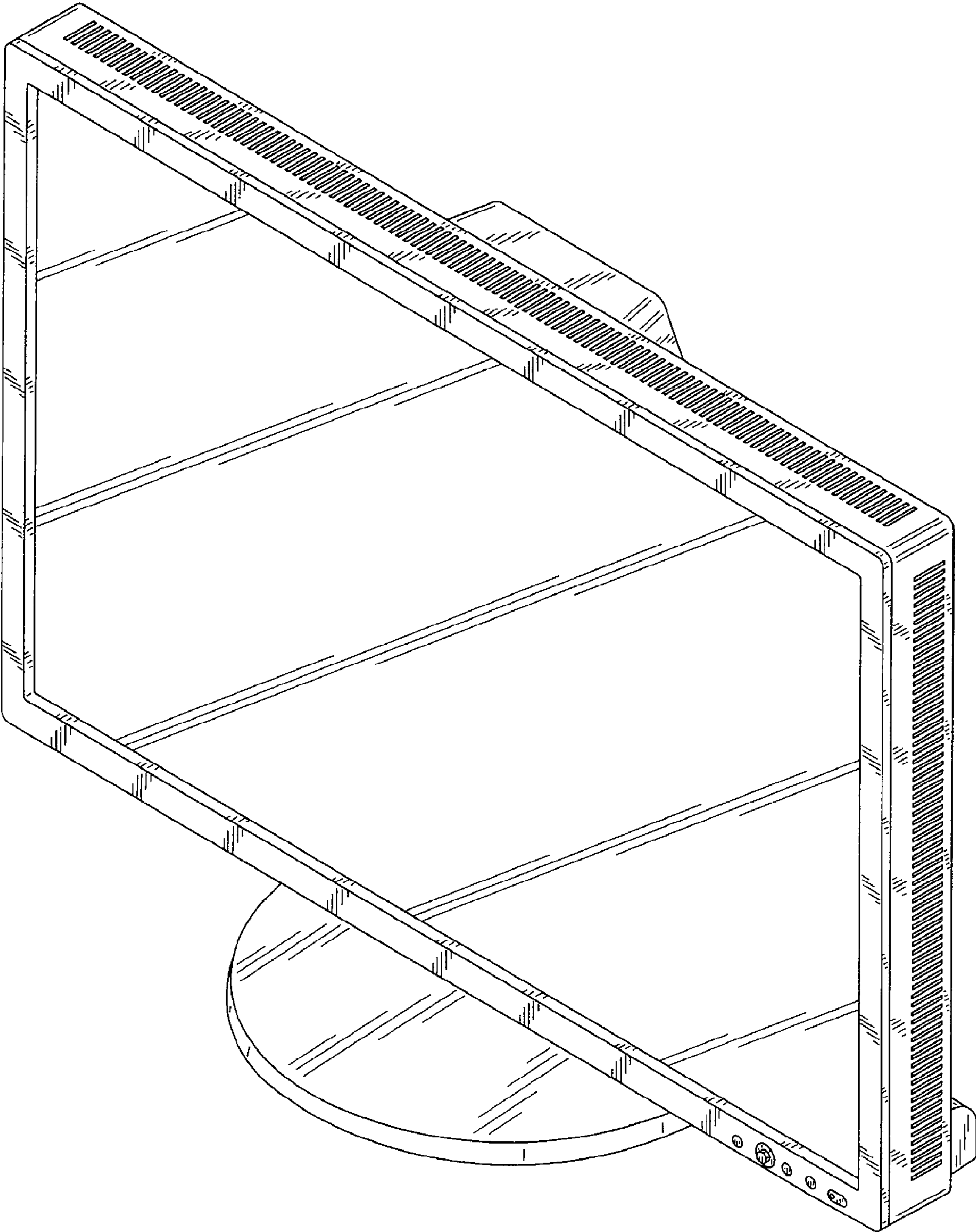


FIG. 1

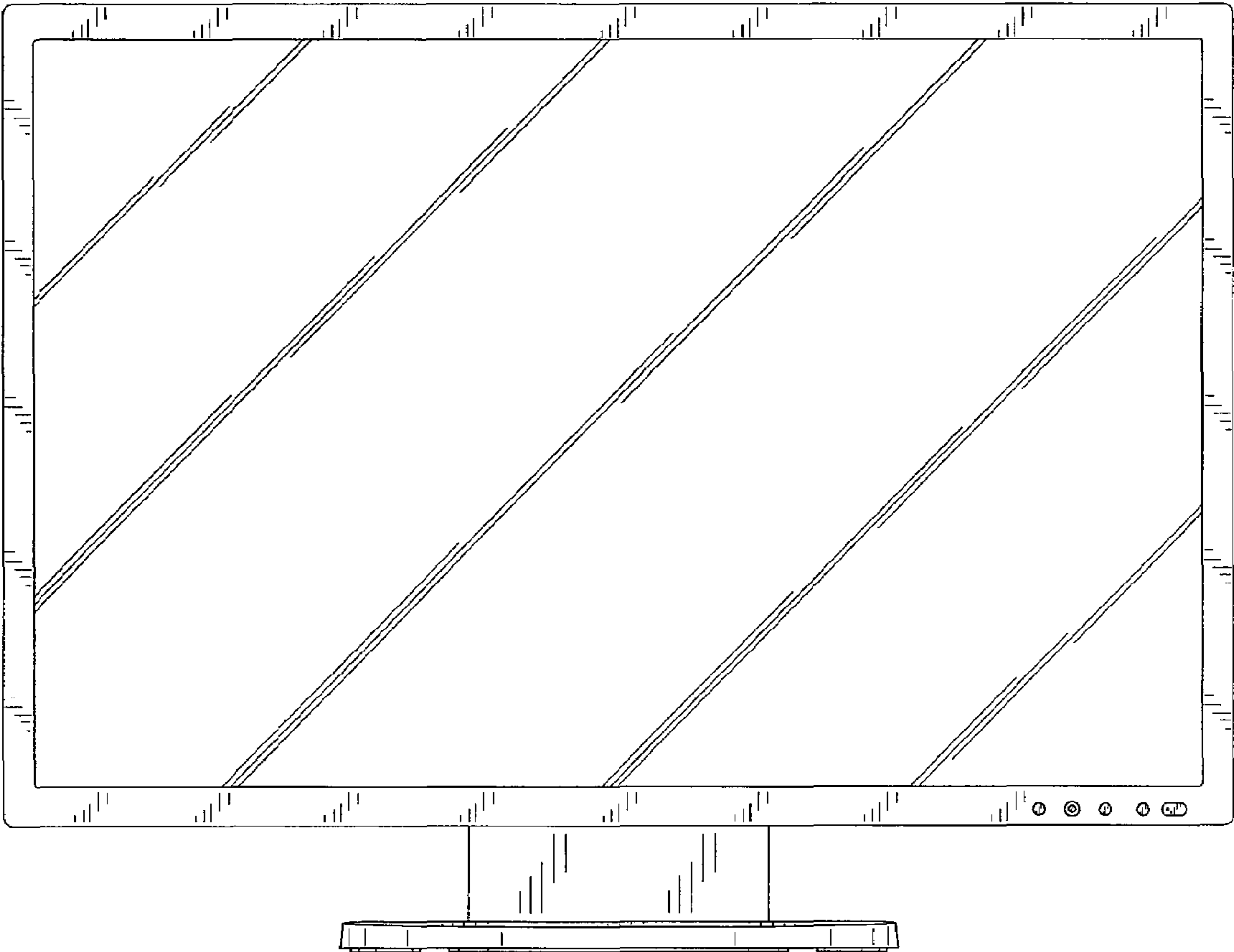


FIG. 2

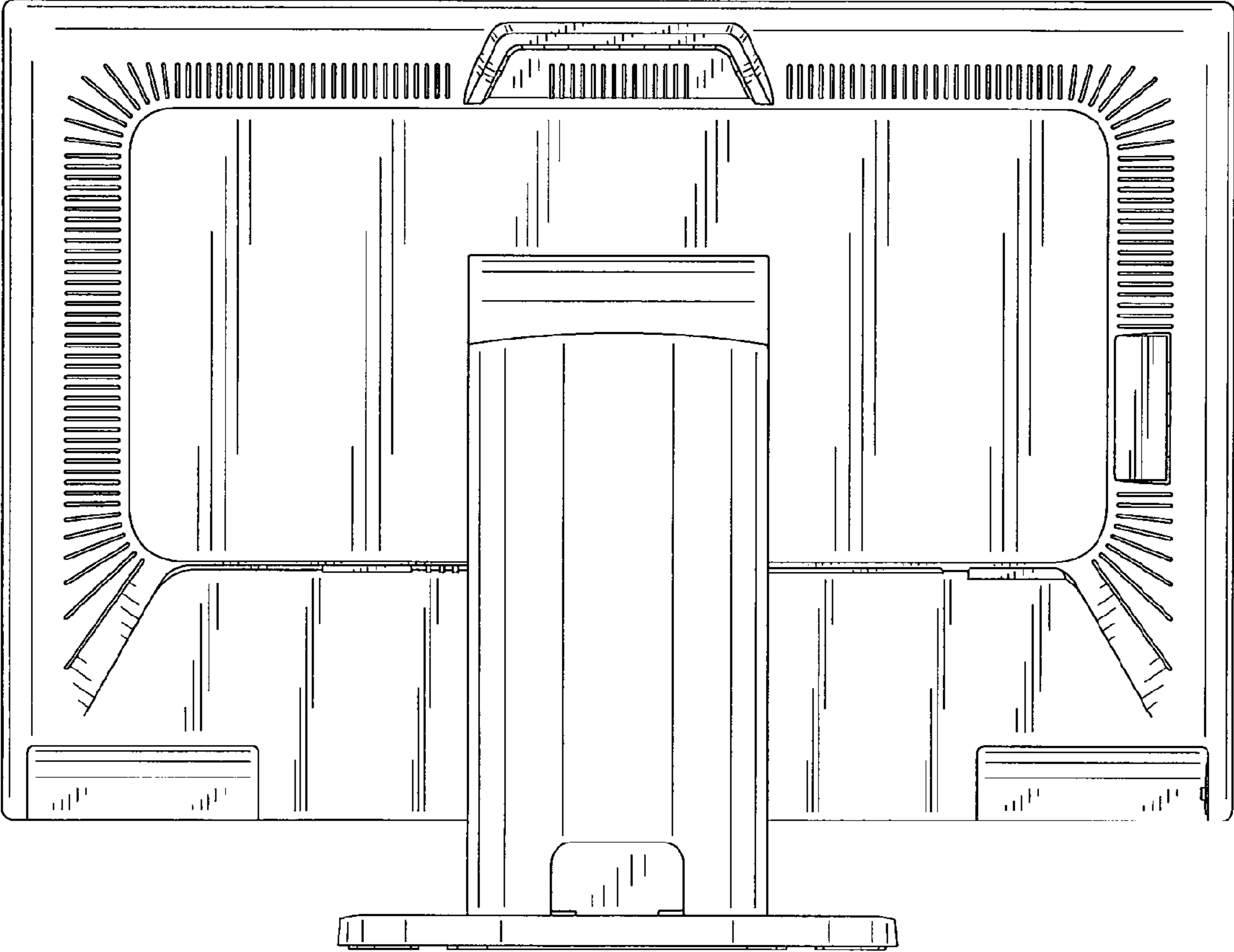
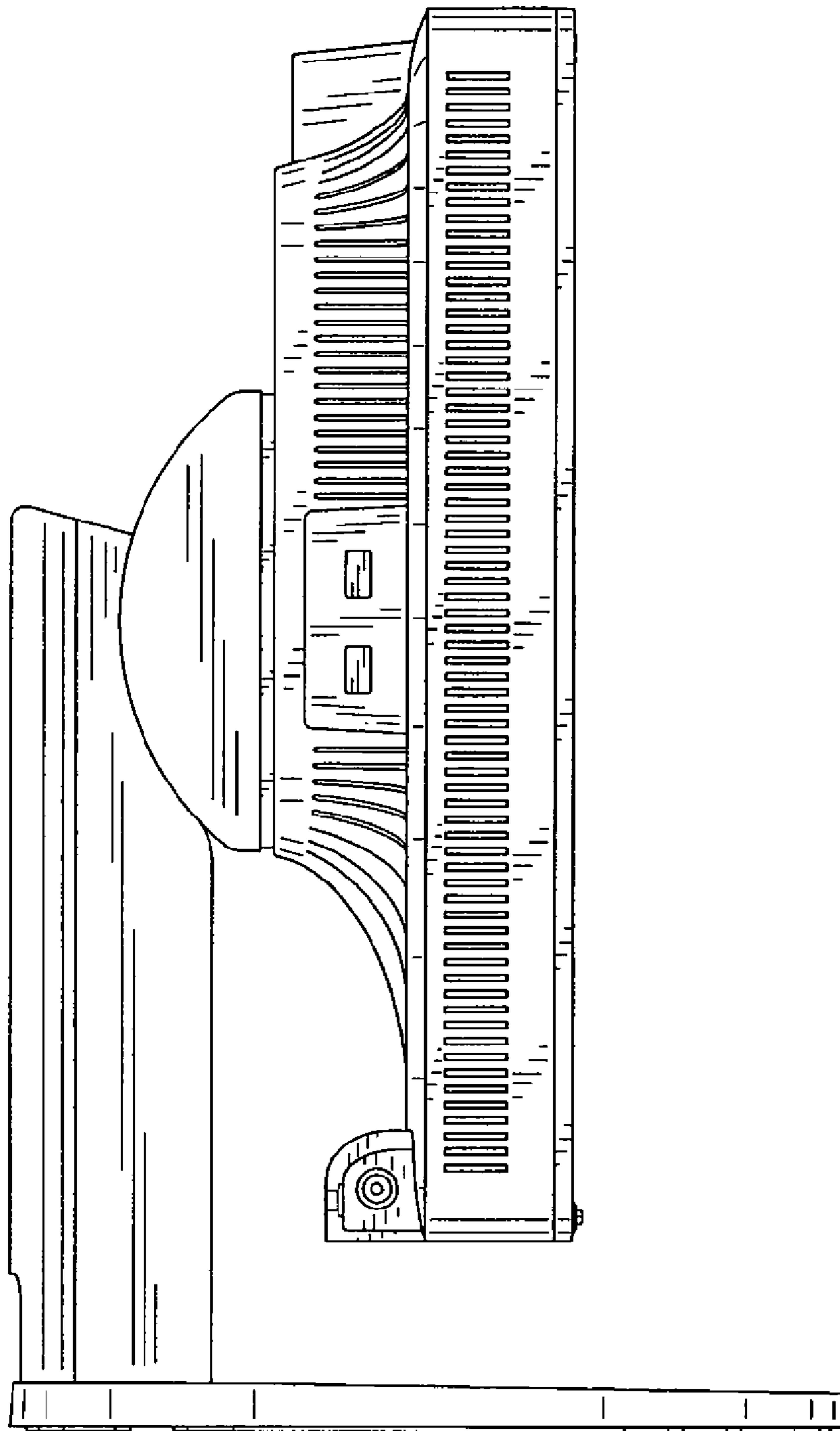
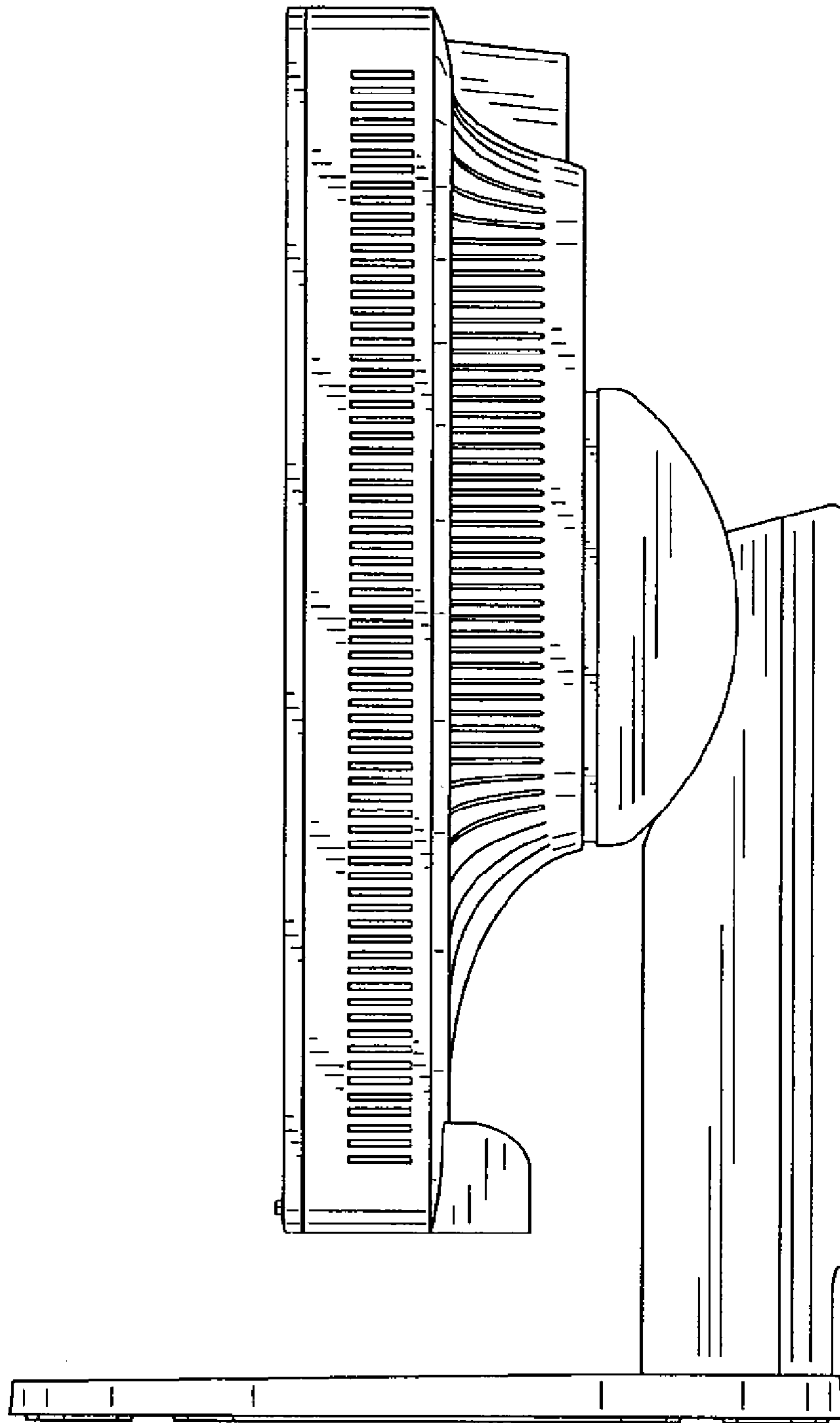


FIG. 3



**FIG. 4**





**FIG. 5**

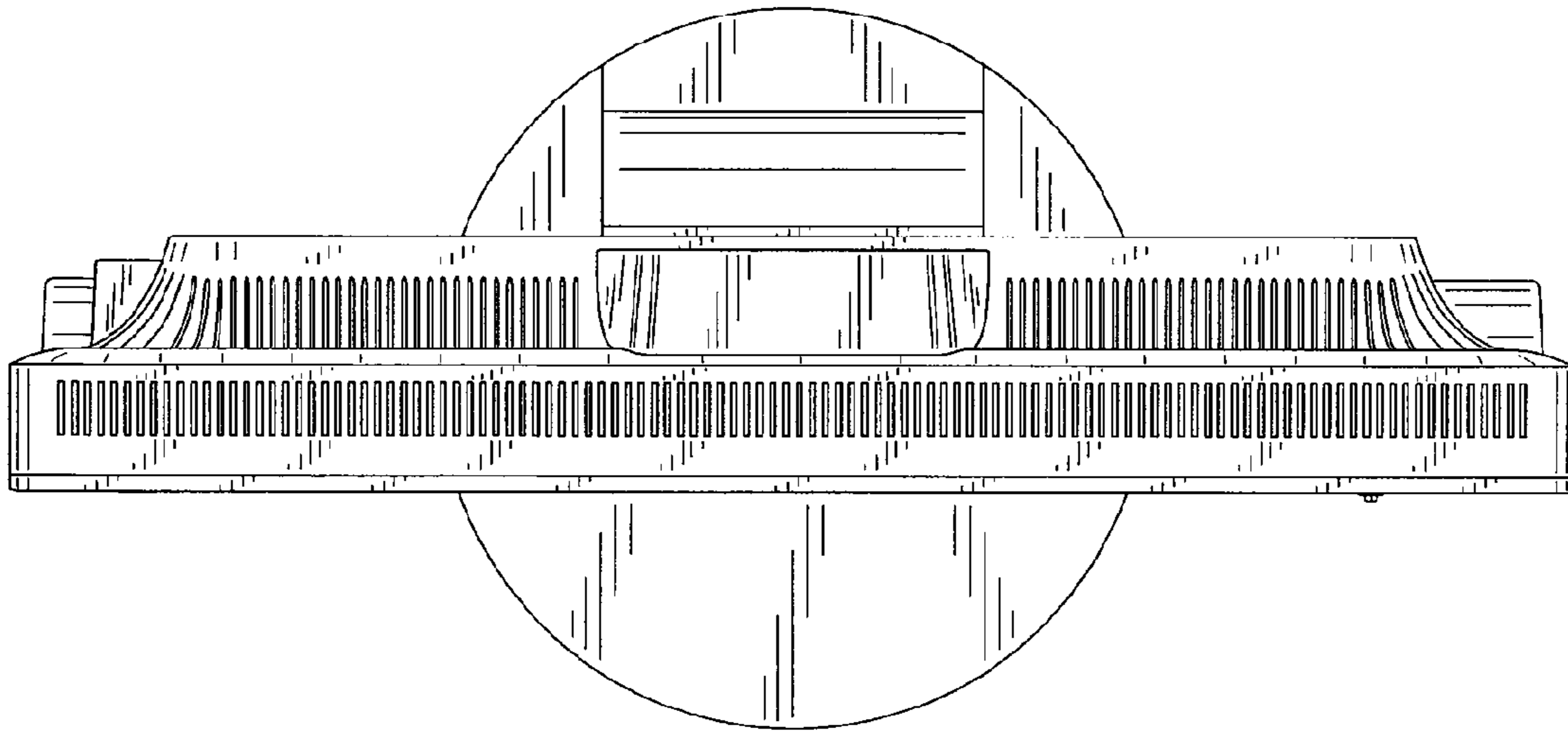


FIG. 6

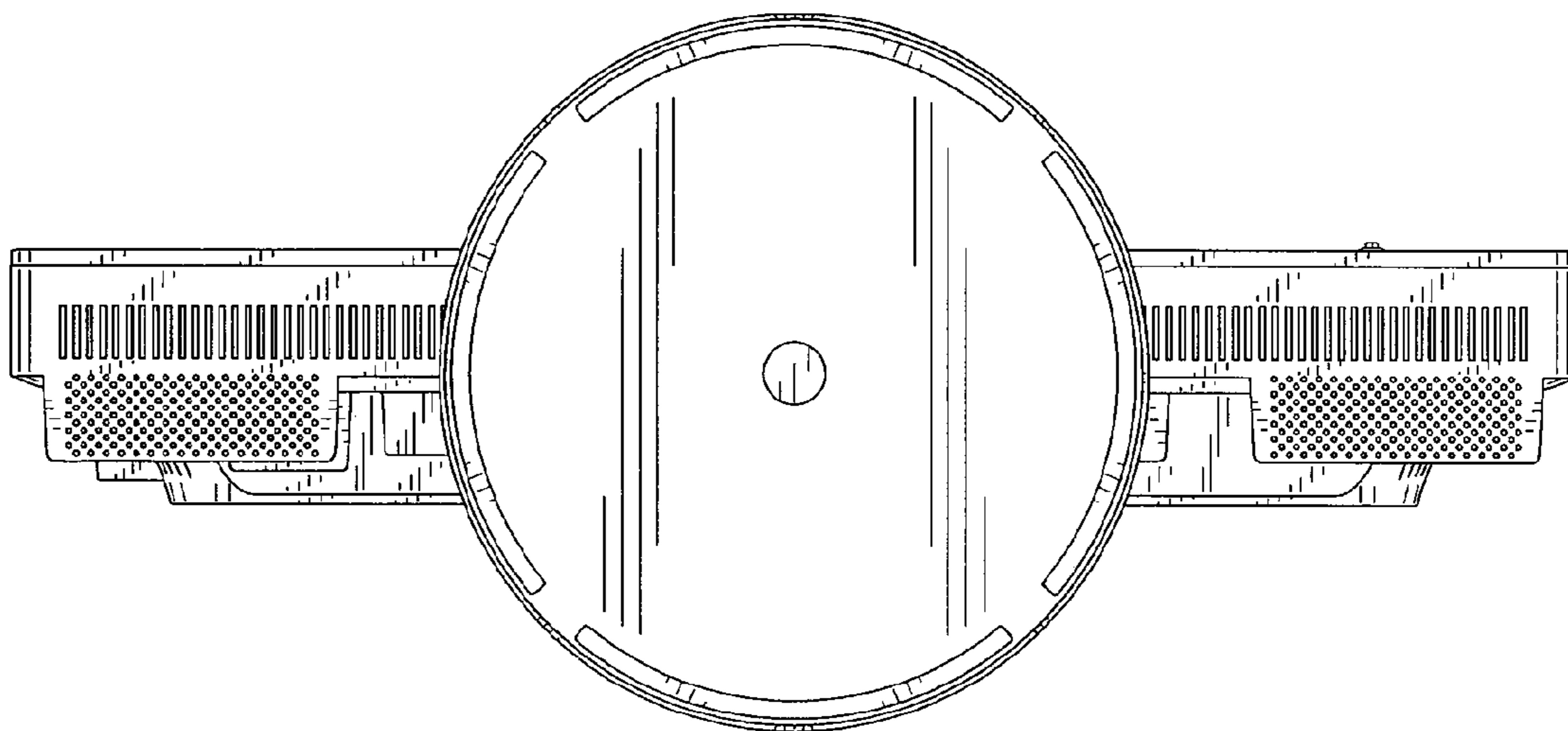


FIG. 7

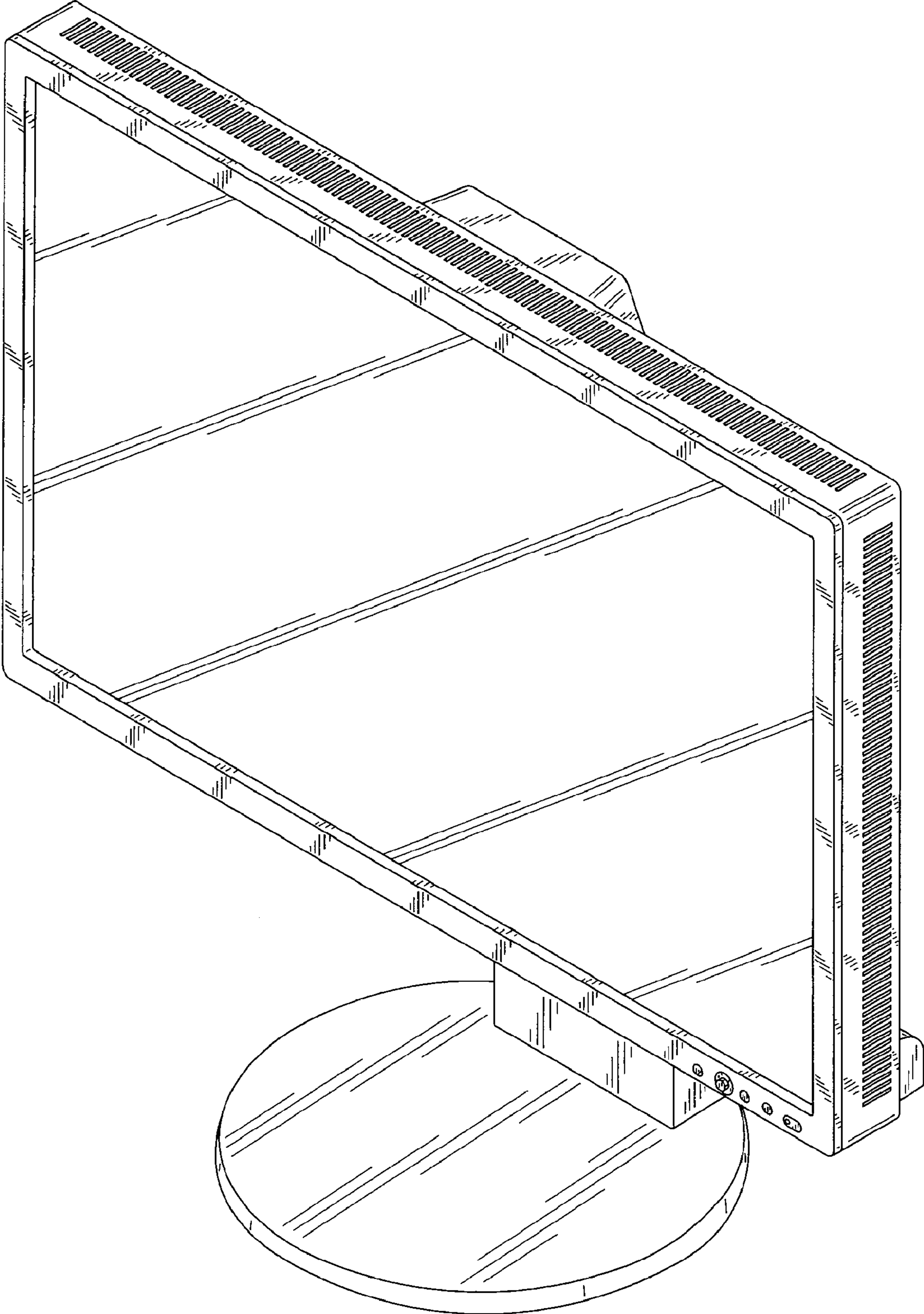


FIG. 8



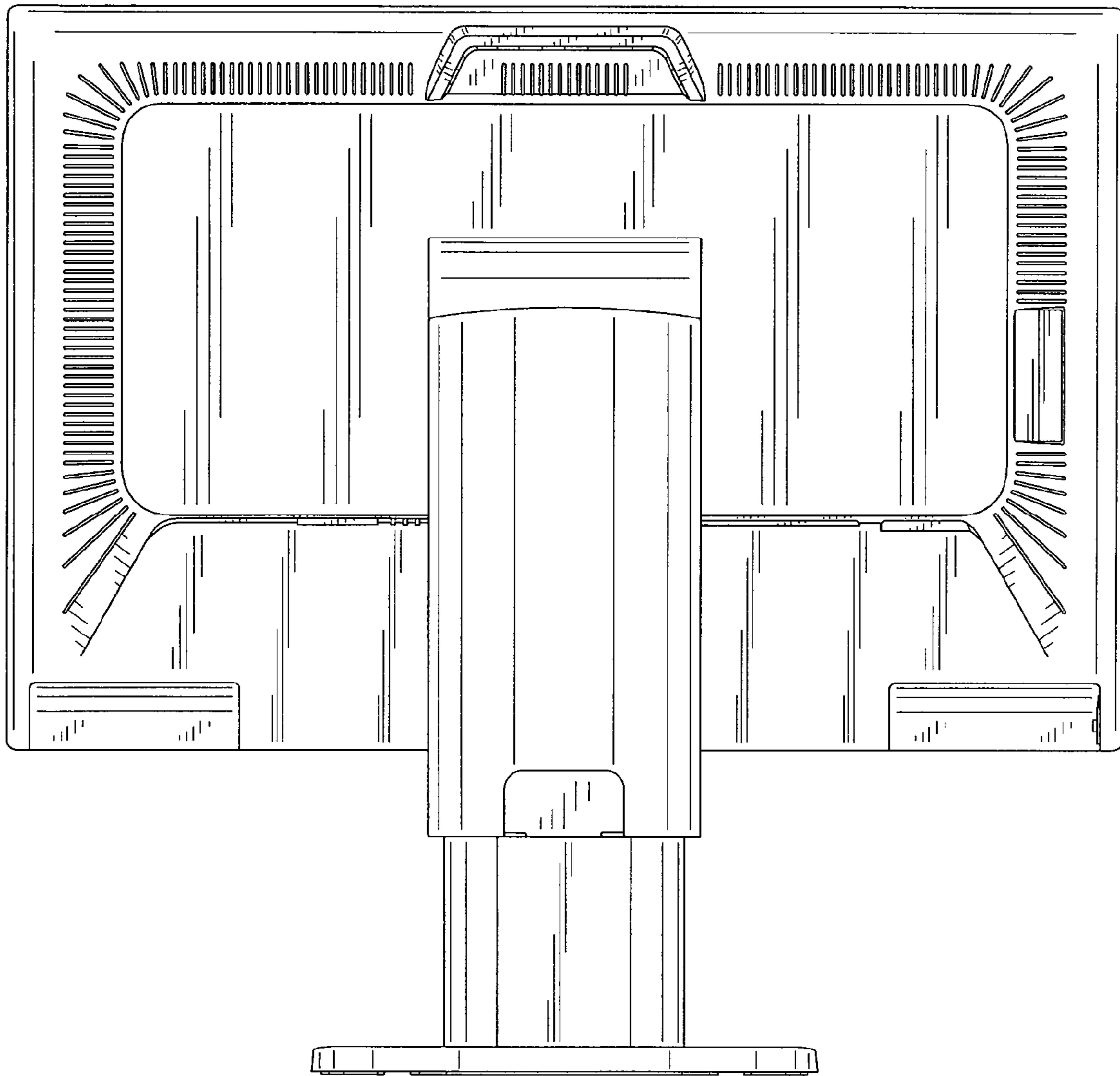
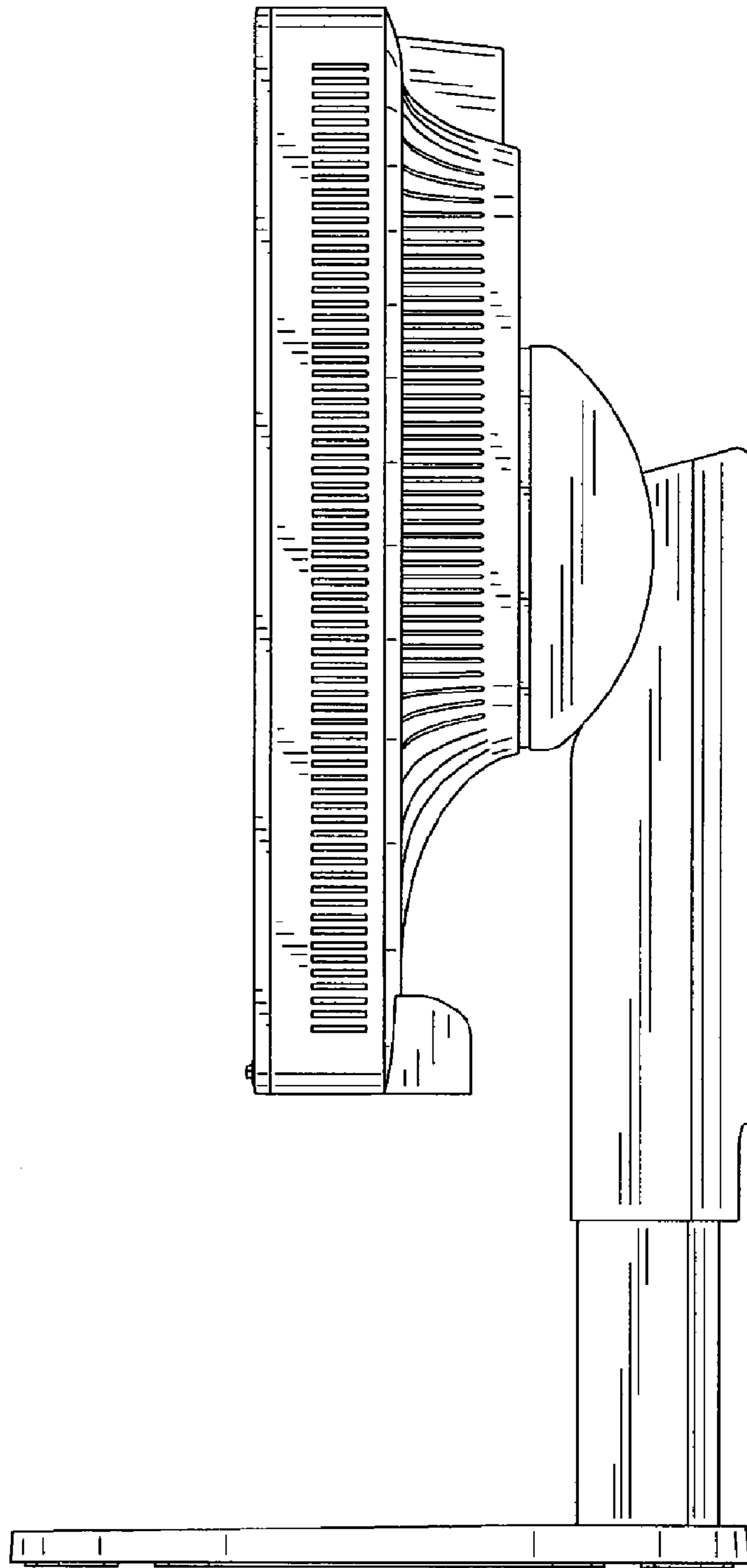


FIG. 9



**FIG. 10**

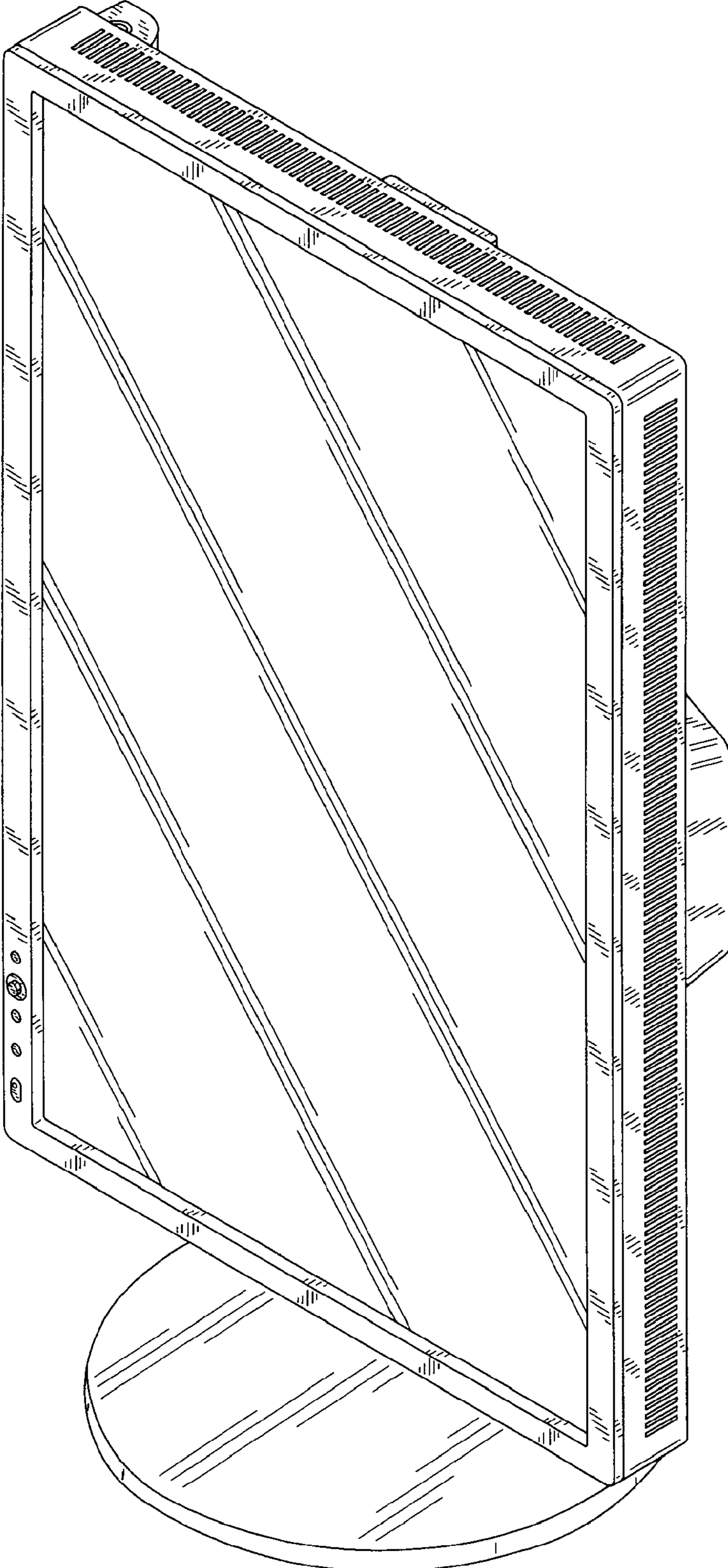


FIG. 11