



US00D604731S

(12) **United States Design Patent**
Minehart et al.

(10) **Patent No.:** **US D604,731 S**

(45) **Date of Patent:** **** Nov. 24, 2009**

(54) **INFORMATION HANDLING SYSTEM
HOUSING**

2003/0026067 A1* 2/2003 Rubenstein et al. 361/681
2003/0122457 A1* 7/2003 Diaz et al. 312/223.2
2005/0012436 A1* 1/2005 Lai 312/223.2

(75) Inventors: **Jason Minehart**, Austin, TX (US);
Brian Hargrove Leonard, Austin, TX
(US)

OTHER PUBLICATIONS

HP Pavilion Media Center a1630n PC Datasheet, printed Apr. 17,
2009, http://www.hp.com/hpinfo/newsroom/press_kits/2006/psgconsumer/ds_a1630n.pdf.

(73) Assignee: **Dell Products L.P.**, Round Rock, TX
(US)

* cited by examiner

(**) Term: **14 Years**

Primary Examiner—Freda S Nunn

(21) Appl. No.: **29/335,125**

(74) *Attorney, Agent, or Firm*—Hamilton & Terrile, LLP;
Robert W. Holland

(22) Filed: **Apr. 9, 2009**

(57) **CLAIM**

(51) **LOC (9) Cl.** **14-02**

The ornamental design for an information handling system housing, as shown and described.

(52) **U.S. Cl.** **D14/349**

(58) **Field of Classification Search** D14/308,
D14/313, 349–361, 388, 300; D13/162,
D13/184, 199; 312/223.1–223.3; 360/99.01–99.12;
361/680–686, 690–696, 816, 679.6; 369/34.01,
369/36.01; 358/496

DESCRIPTION

FIG. 1 is a front perspective view of the information handling system housing comprising the present invention;

See application file for complete search history.

FIG. 2 is a front view thereof;

FIG. 3 is a right side view thereof;

(56) **References Cited**

U.S. PATENT DOCUMENTS

6,278,606 B1* 8/2001 Schmitt et al. 361/679.35
6,297,952 B1* 10/2001 Liu et al. 361/679.31
6,549,398 B2* 4/2003 Chen 361/679.58
D545,306 S * 6/2007 Lauffer et al. D14/349
D549,702 S * 8/2007 Kim et al. D14/349
D553,617 S * 10/2007 Tosh et al. D14/352
D581,412 S * 11/2008 Yang D14/349

FIG. 4 is a left side view thereof;

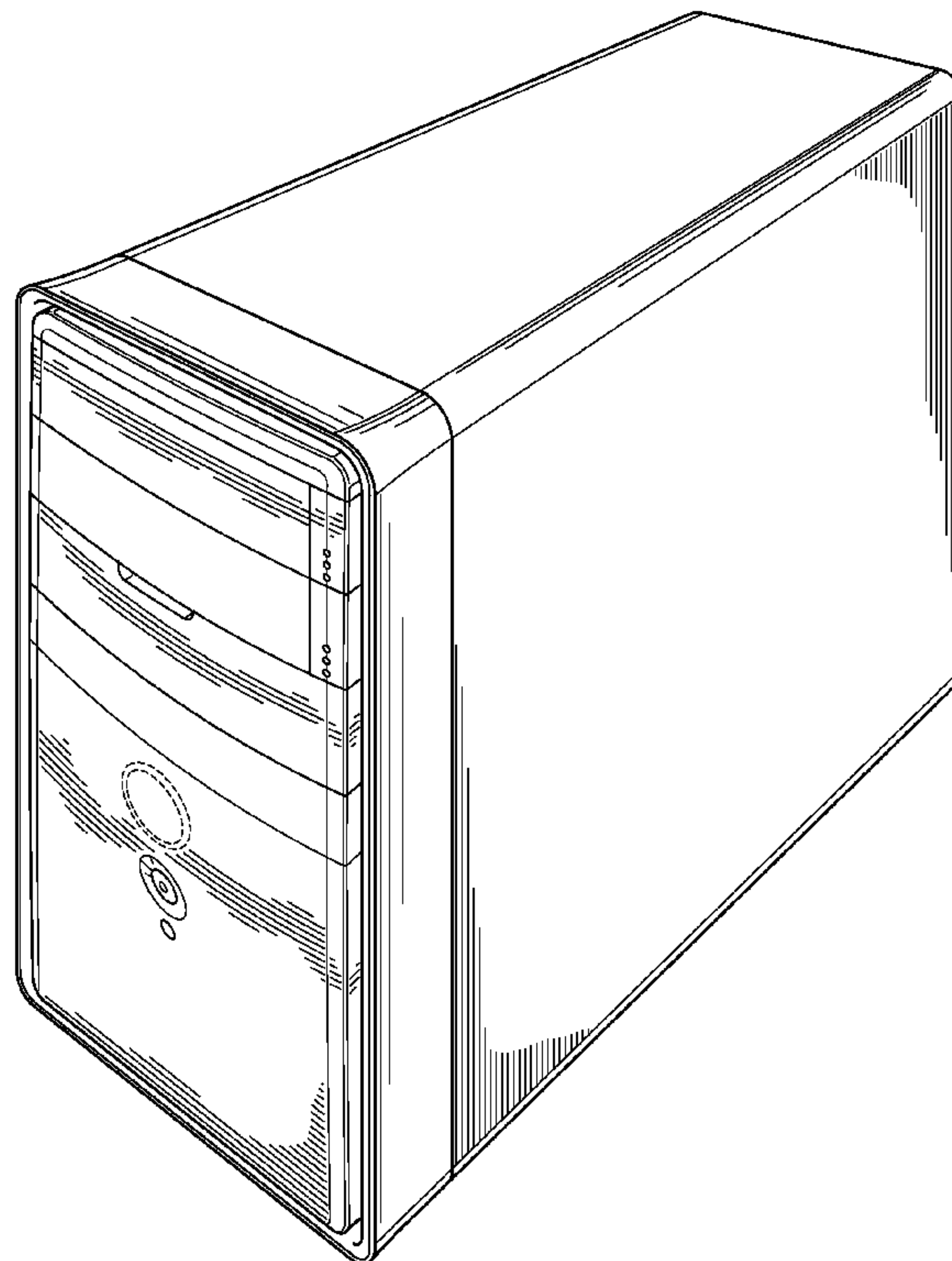
FIG. 5 is a rear view thereof;

FIG. 6 is a top view thereof; and,

FIG. 7 is a bottom view thereof.

Broken lines shown in the drawings illustrate portions of the information handling system housing, and form no part of the claimed design.

1 Claim, 7 Drawing Sheets



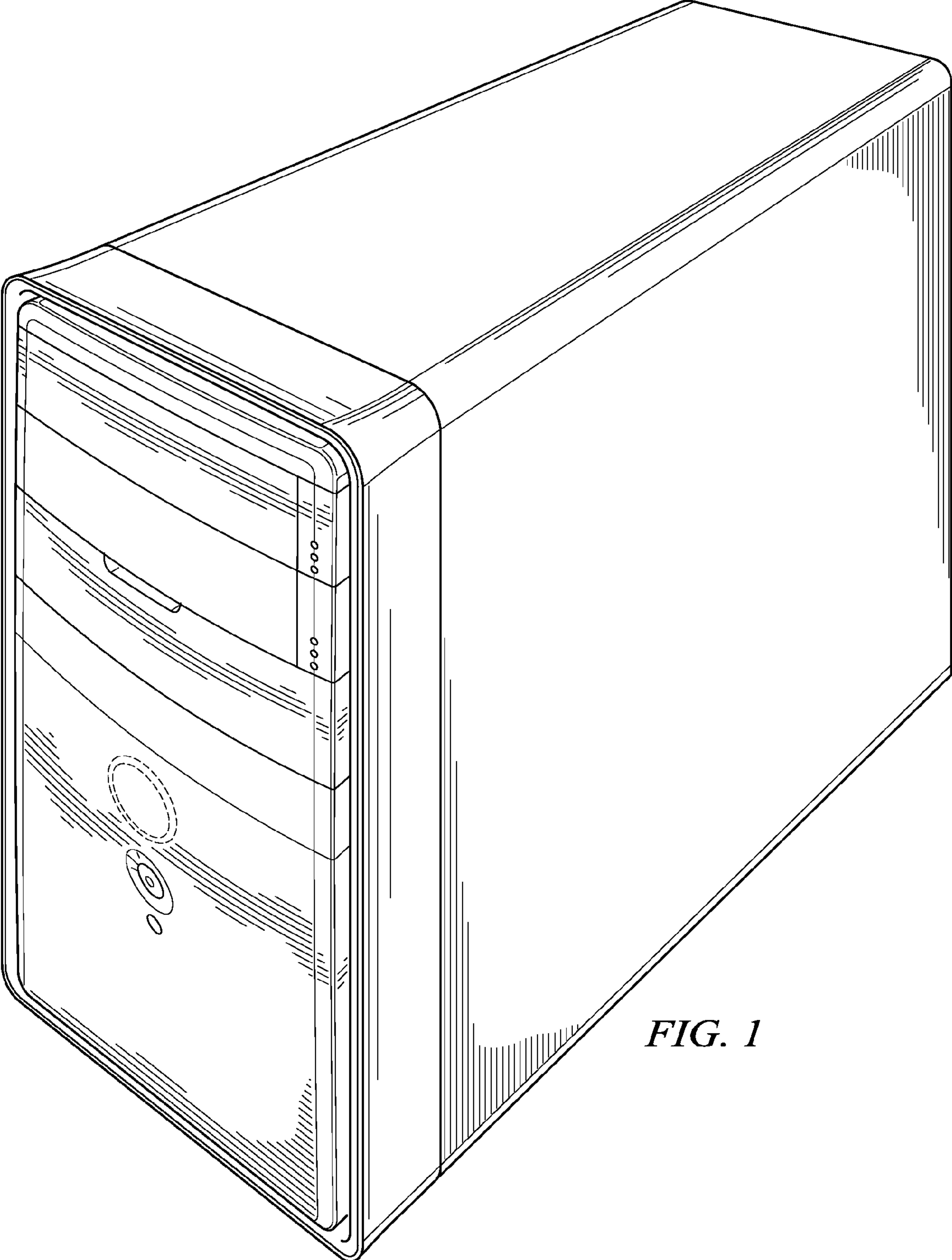


FIG. 1

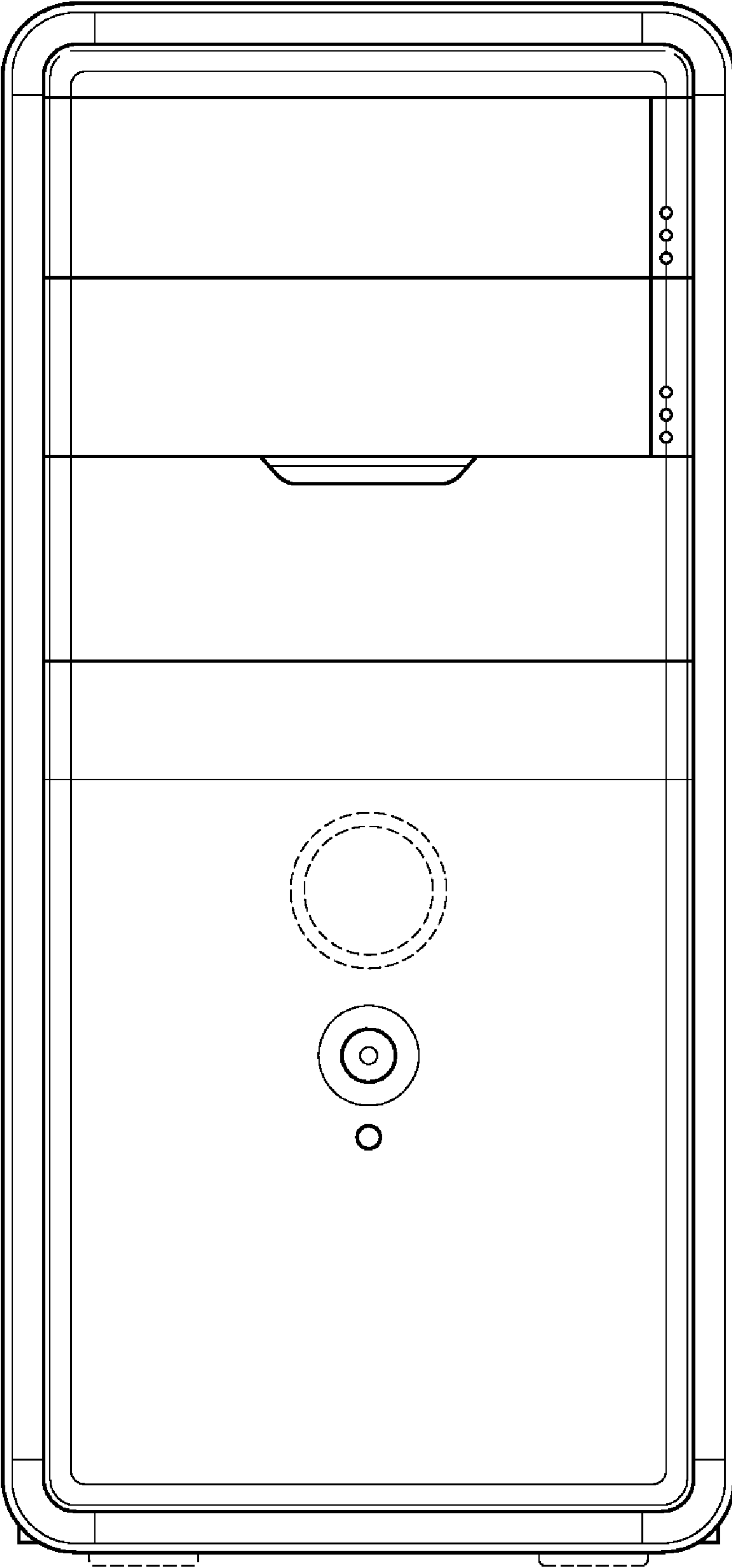


FIG. 2

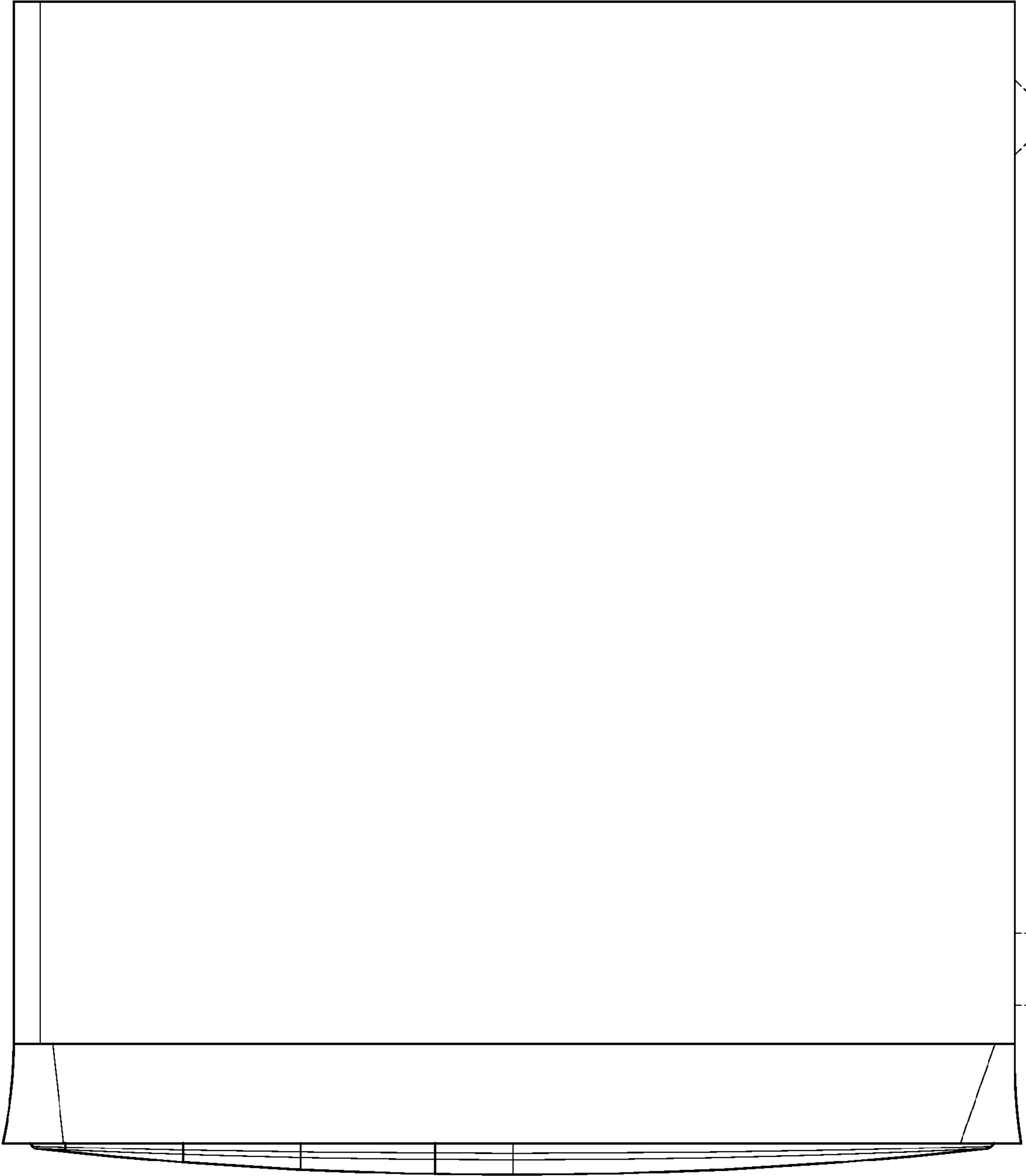


FIG. 3

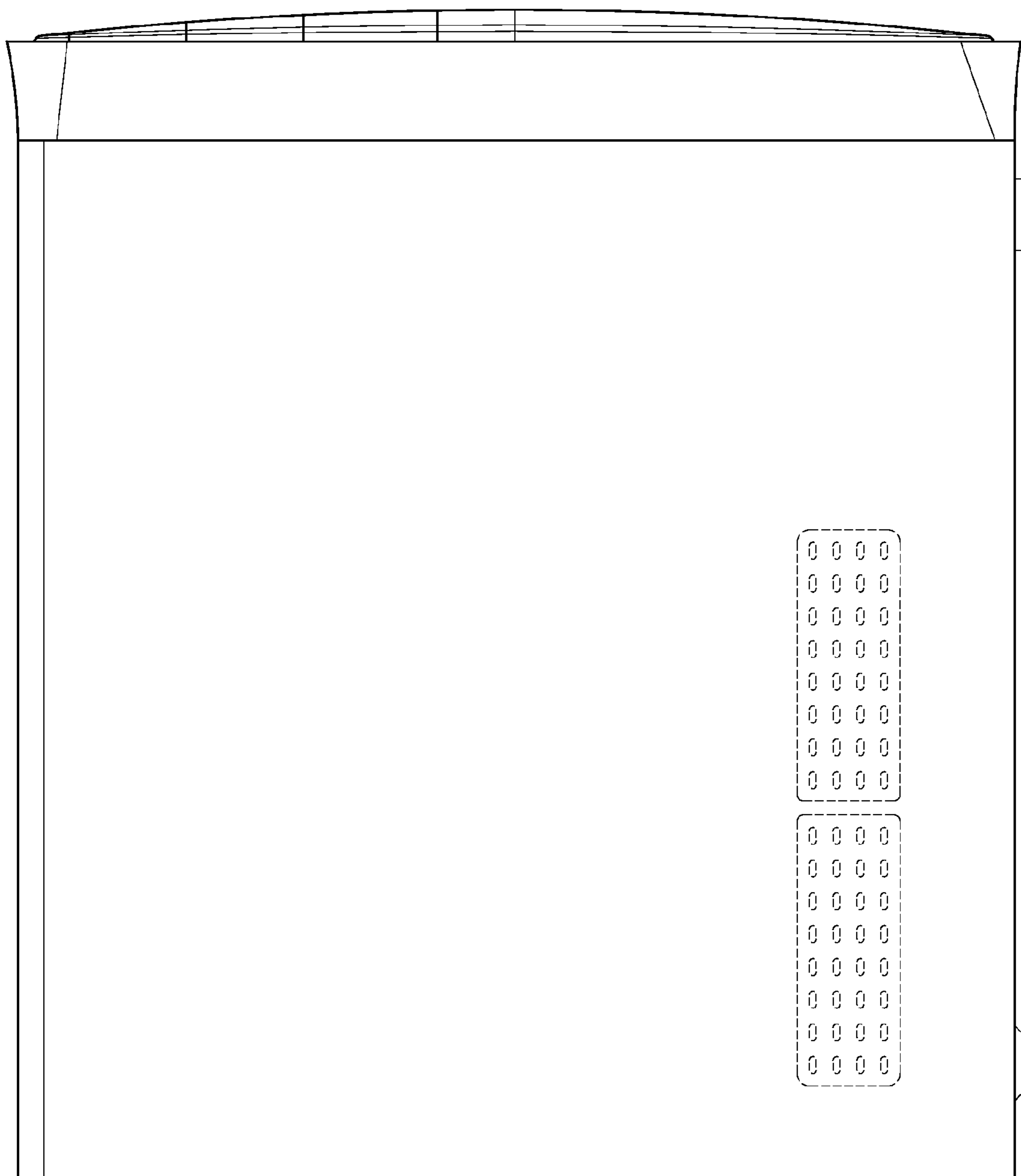


FIG. 4

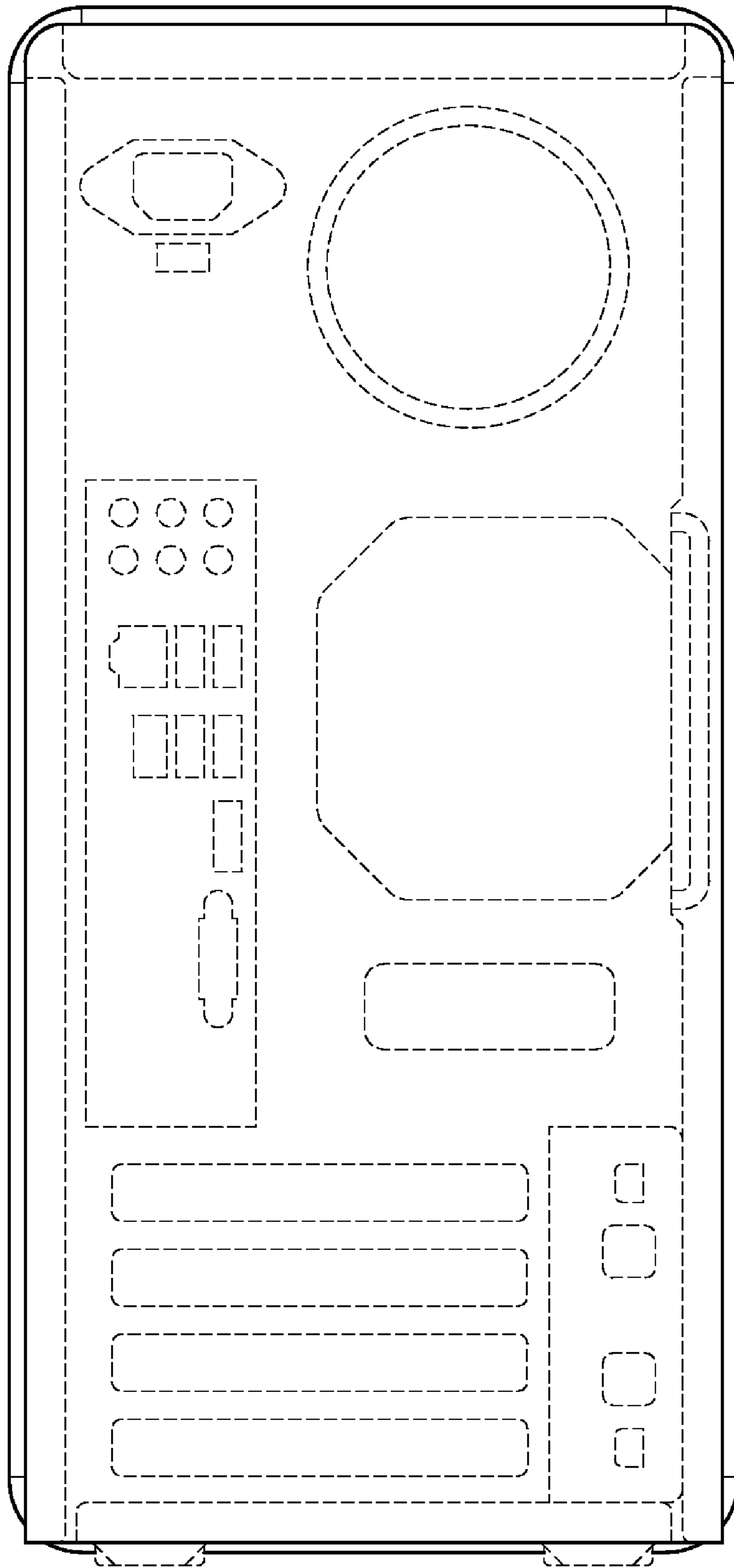


FIG. 5

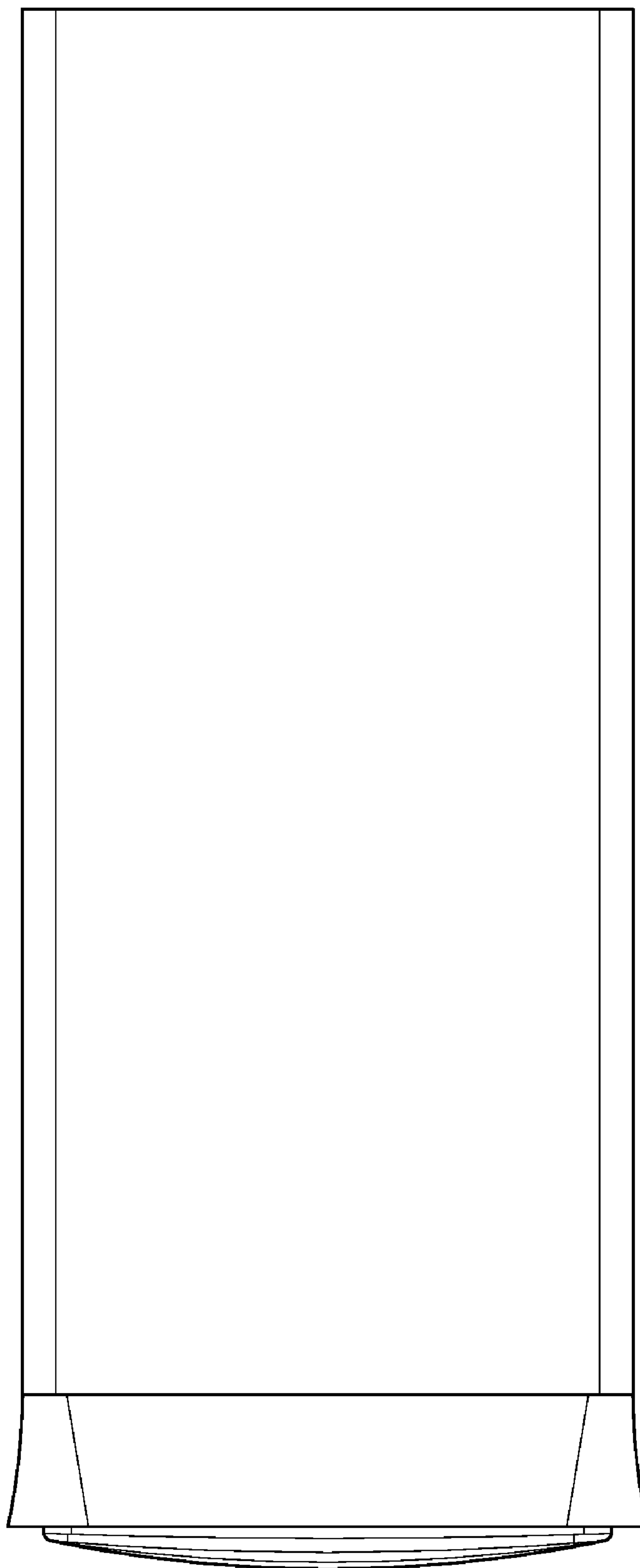


FIG. 6

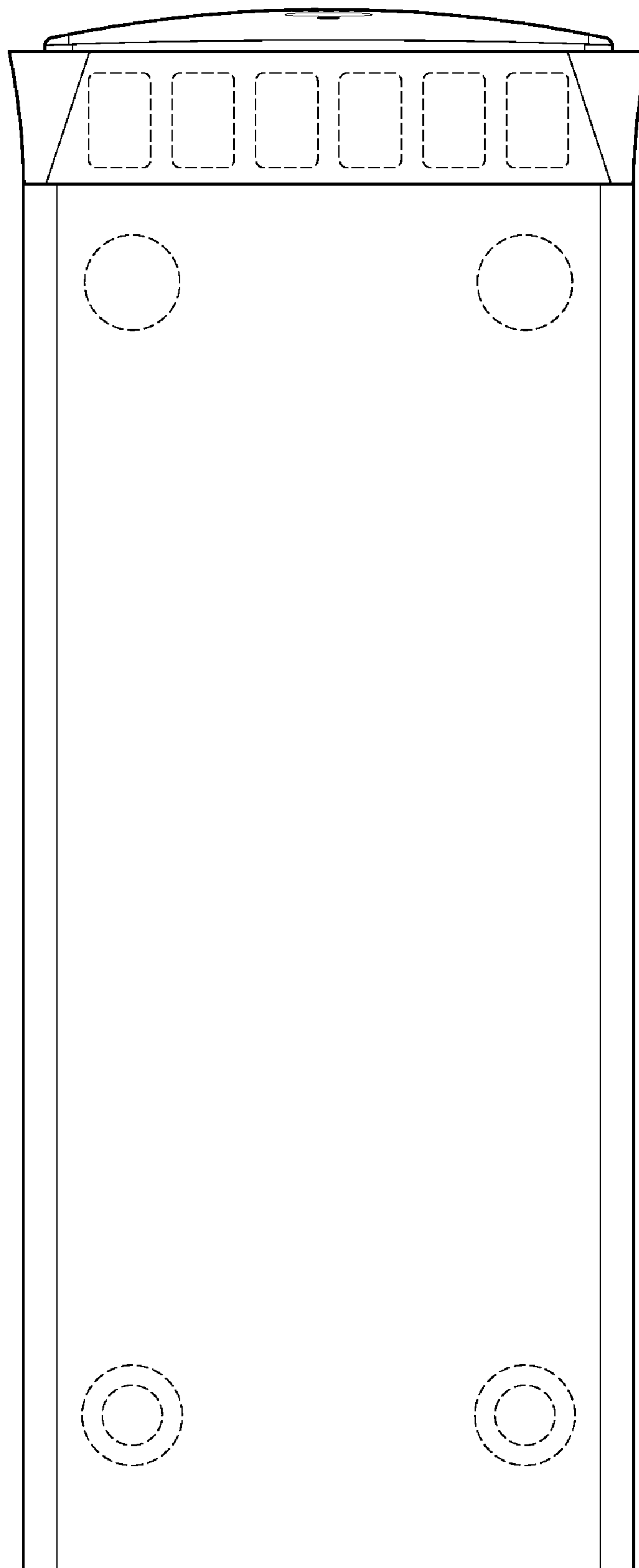


FIG. 7