

US00D604729S

(12) **United States Design Patent**  
**Andre et al.**

(10) **Patent No.:** **US D604,729 S**

(45) **Date of Patent:** **\*\* \*Nov. 24, 2009**

(54) **ELECTRONIC DEVICE**

(75) Inventors: **Bartley K. Andre**, Menlo Park, CA (US); **Daniel J. Coster**, San Francisco, CA (US); **Daniele De Iuliis**, San Francisco, CA (US); **Evans Hankey**, San Francisco, CA (US); **Richard P. Howarth**, San Francisco, CA (US); **Jonathan P. Ive**, San Francisco, CA (US); **Duncan Robert Kerr**, San Francisco, CA (US); **Shin Nishibori**, Portola Valley, CA (US); **Matthew Dean Rohrbach**, San Francisco, CA (US); **Peter Russell-Clarke**, San Francisco, CA (US); **Douglas B. Satzger**, Menlo Park, CA (US); **Christopher J. Stringer**, Woodside, CA (US); **Eugene Antony Whang**, San Francisco, CA (US); **Rico Zorkendorfer**, San Francisco, CA (US)

(73) Assignee: **Apple Inc.**, Cupertino, CA (US)

(\*\*) Term: **14 Years**

(21) Appl. No.: **29/294,332**

(22) Filed: **Jan. 4, 2008**

(51) **LOC (9) Cl.** ..... **14-02**

(52) **U.S. Cl.** ..... **D14/314**

(58) **Field of Classification Search** ..... D14/314, D14/348, 363-369, 353-356; D13/162, D13/184, 199; 312/223.1-223.3; 360/99.01-99.12; 369/34.01, 36.01; 361/680-686, 690-696  
See application file for complete search history.

(56) **References Cited**

**U.S. PATENT DOCUMENTS**

D299,651 S	1/1989	Preussner	
D301,470 S	6/1989	Preussner	
D347,212 S *	5/1994	Riley	D14/355
D373,117 S *	8/1996	Barthelemy et al.	D14/353
D426,831 S *	6/2000	Hu	D14/348
D435,845 S *	1/2001	Piersol	D14/355
D461,187 S *	8/2002	Andre et al.	D14/356

D494,579 S *	8/2004	Chuang et al.	D14/314
6,933,928 B1	8/2005	Lilienthal	
D513,617 S	1/2006	Tierney	
D522,531 S	6/2006	Solomon et al.	
D526,648 S	8/2006	Andre et al.	
D533,177 S	12/2006	Andre et al.	
D537,817 S	3/2007	Andre et al.	
D542,288 S	5/2007	Andre et al.	
D558,970 S	1/2008	Guers-Neyrud et al.	

**FOREIGN PATENT DOCUMENTS**

JP	1241896	6/2005
JP	D1241895	6/2005

**OTHER PUBLICATIONS**

Nexstar, GX, www.vantecusa.com, available at least as early as Mar. 2006.

(Continued)

*Primary Examiner*—Freda S Nunn

(74) *Attorney, Agent, or Firm*—Saidman DesignLaw Group

(57) **CLAIM**

The ornamental design for an electronic device, as shown and described.

**DESCRIPTION**

FIG. 1 is a front, top perspective view of an electronic device showing our new design;

FIG. 2 is rear, bottom perspective view thereof;

FIG. 3 is a front view thereof;

FIG. 4 is a rear view thereof;

FIG. 5 is a left side view thereof;

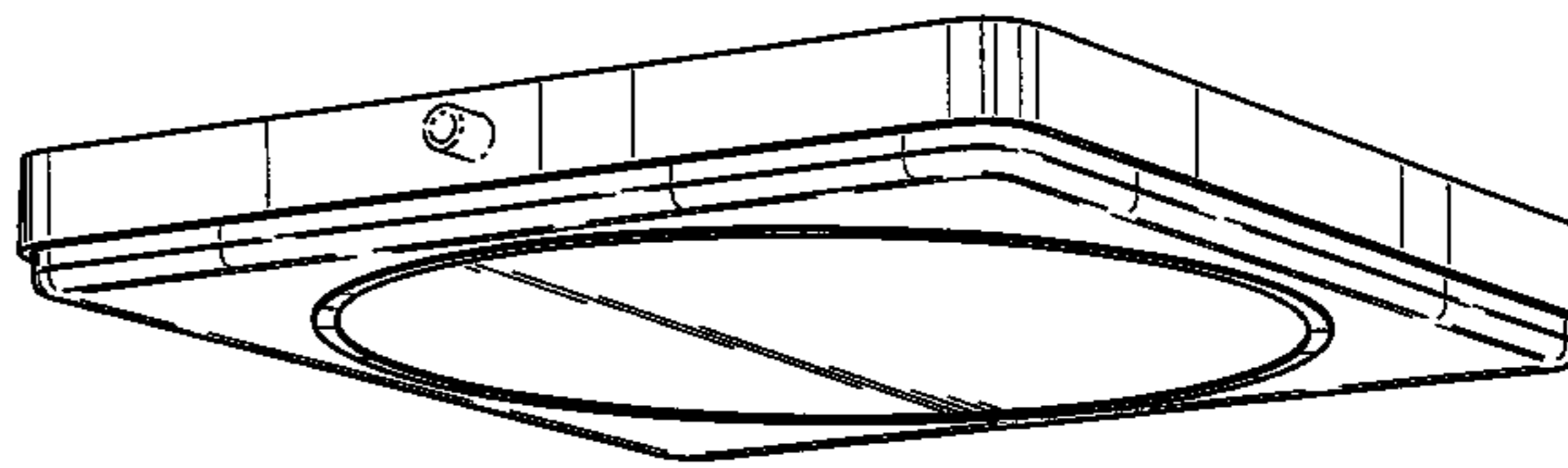
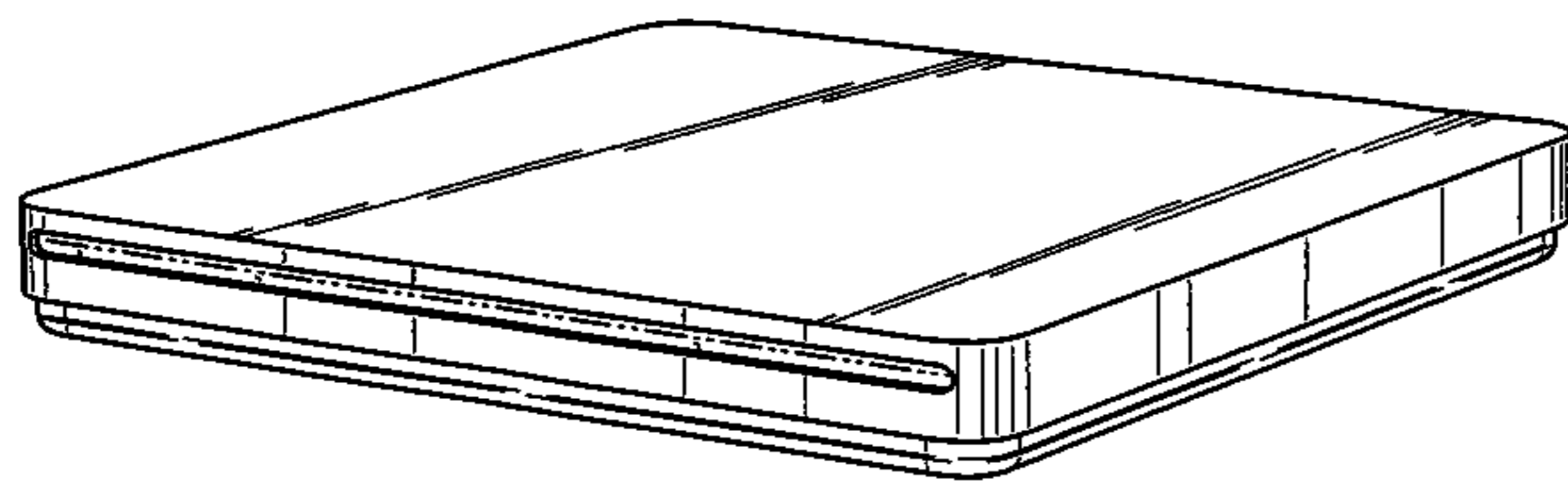
FIG. 6 is a right side view thereof;

FIG. 7 is a top view thereof; and,

FIG. 8 is a bottom view thereof.

The broken lines are environmental and form no part of the claimed design.

**1 Claim, 5 Drawing Sheets**



OTHER PUBLICATIONS

Eyegonomic, Eyegonomic Eyebox, www.prweb.com, available at least as early as Mar. 10, 2004.

Eyegonomic, Eyegonomic Eyebox, www.eyegonomic.com, available at least as early as Feb. 7, 2005.

U.S. Appl. No. 29/265,955 entitled "Media Device" filed Sep. 11, 2006.

U.S. Appl. No. 29/266,005 entitled "Media Device" filed Sep. 11, 2006.

U.S. Appl. No. 29/281,459 entitled "Electronic Device" filed Jun. 22, 2007.

Green House, Mac Mini, www.green-house.co.jp, Nov. 14, 2005.

[http://www.amazon.com/gp/product/images/B000CDR8PU/ref=dp\\_othersviews\\_3?ie=UTF8&s=electronics&simg=3](http://www.amazon.com/gp/product/images/B000CDR8PU/ref=dp_othersviews_3?ie=UTF8&s=electronics&simg=3), first available Apr. 2, 2004.

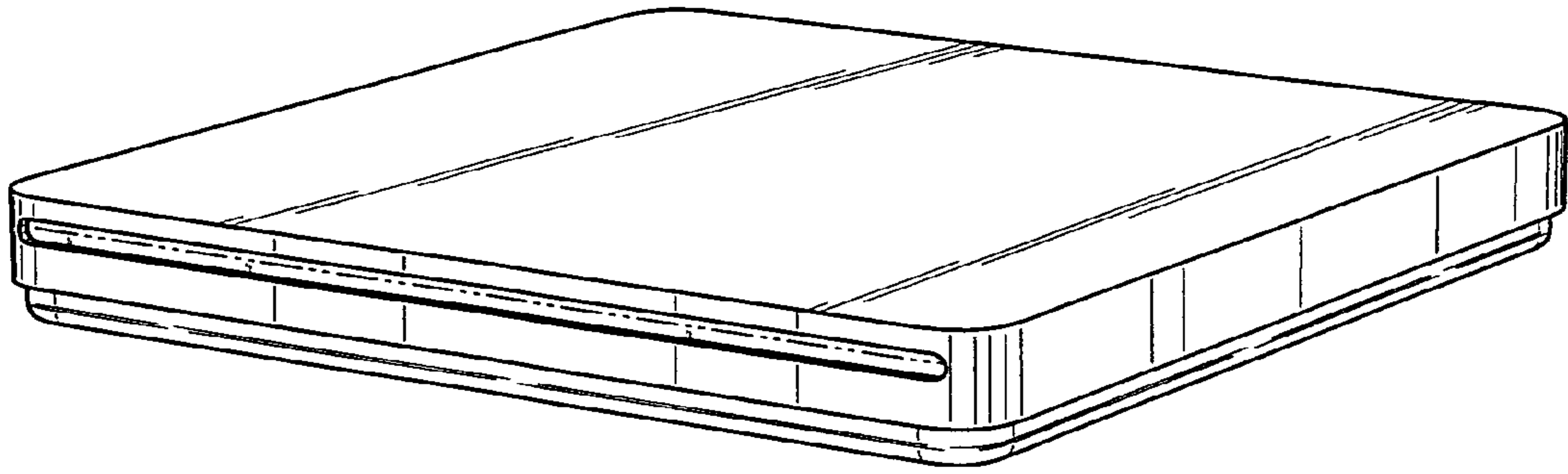
Office action dated Apr. 22, 2008 in U.S. Appl. No. 29/266,005 entitled "Media Device".

Office action dated Apr. 23, 2008 in U.S. Appl. No. 29/265,955 entitled "Media Device".

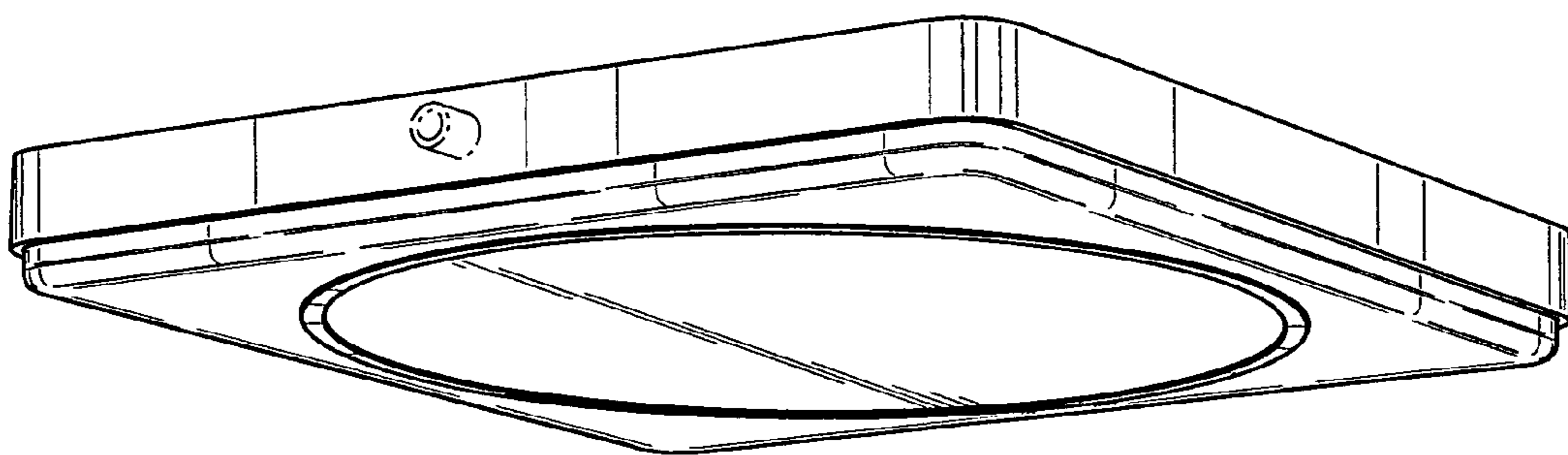
Office action dated Nov. 19, 2008 in U.S. Appl. No. 29/265,955 entitled "Media Device".

Office action dated Nov. 25, 2008 in U.S. Appl. No. 29/266,005 entitled "Media Device".

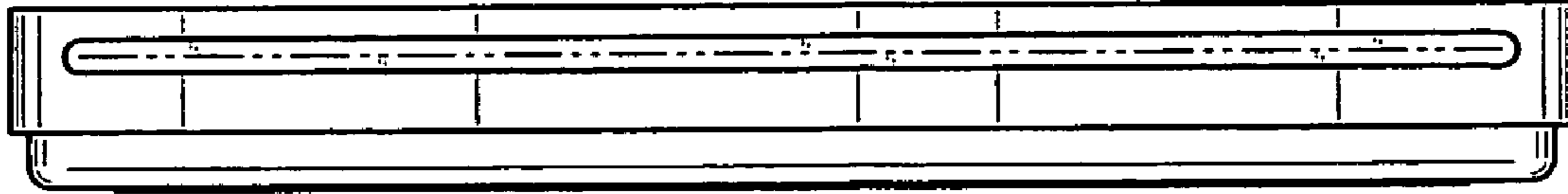
\* cited by examiner



**Fig. 1**



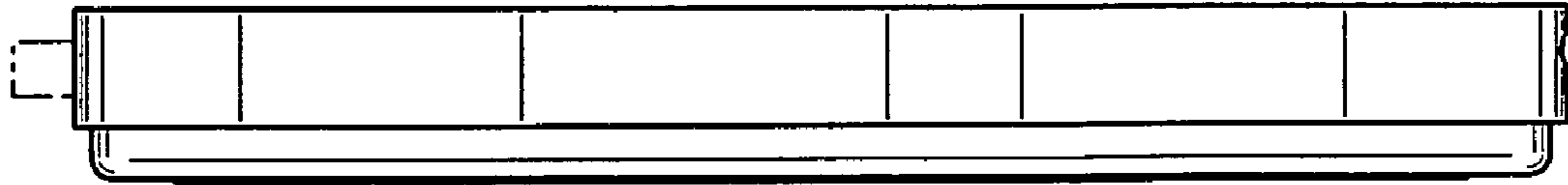
**Fig. 2**



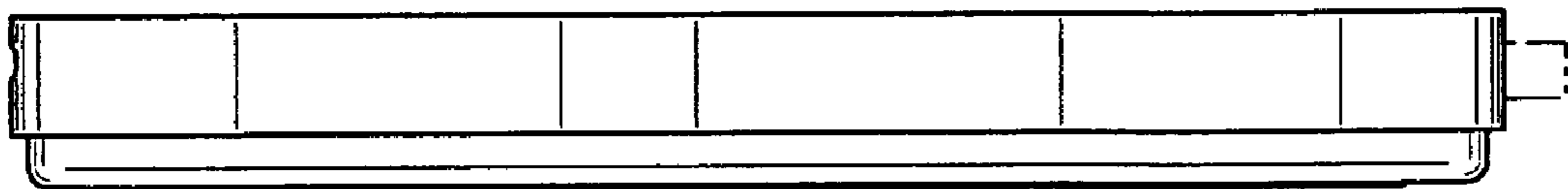
**Fig. 3**



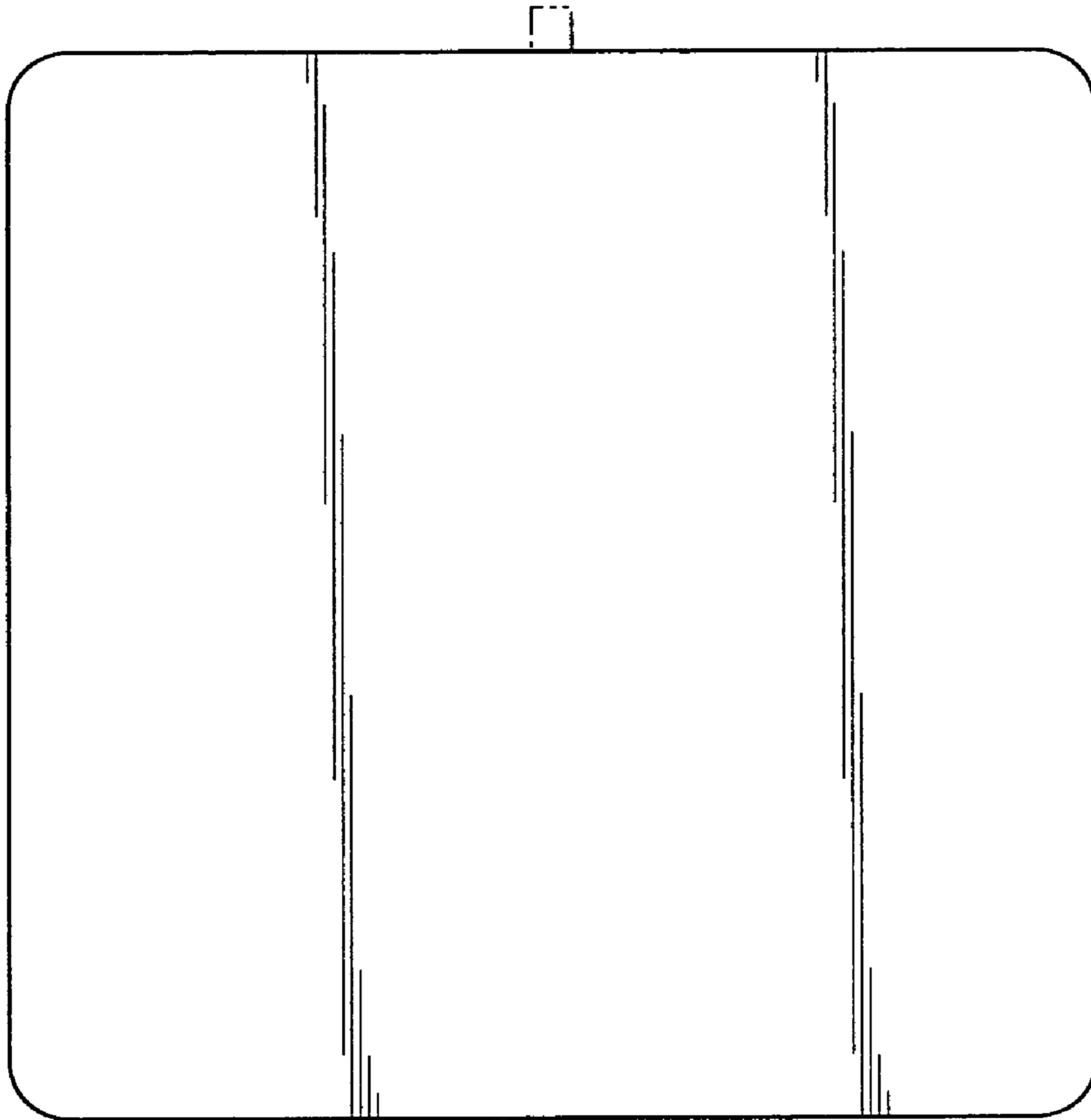
**Fig. 4**



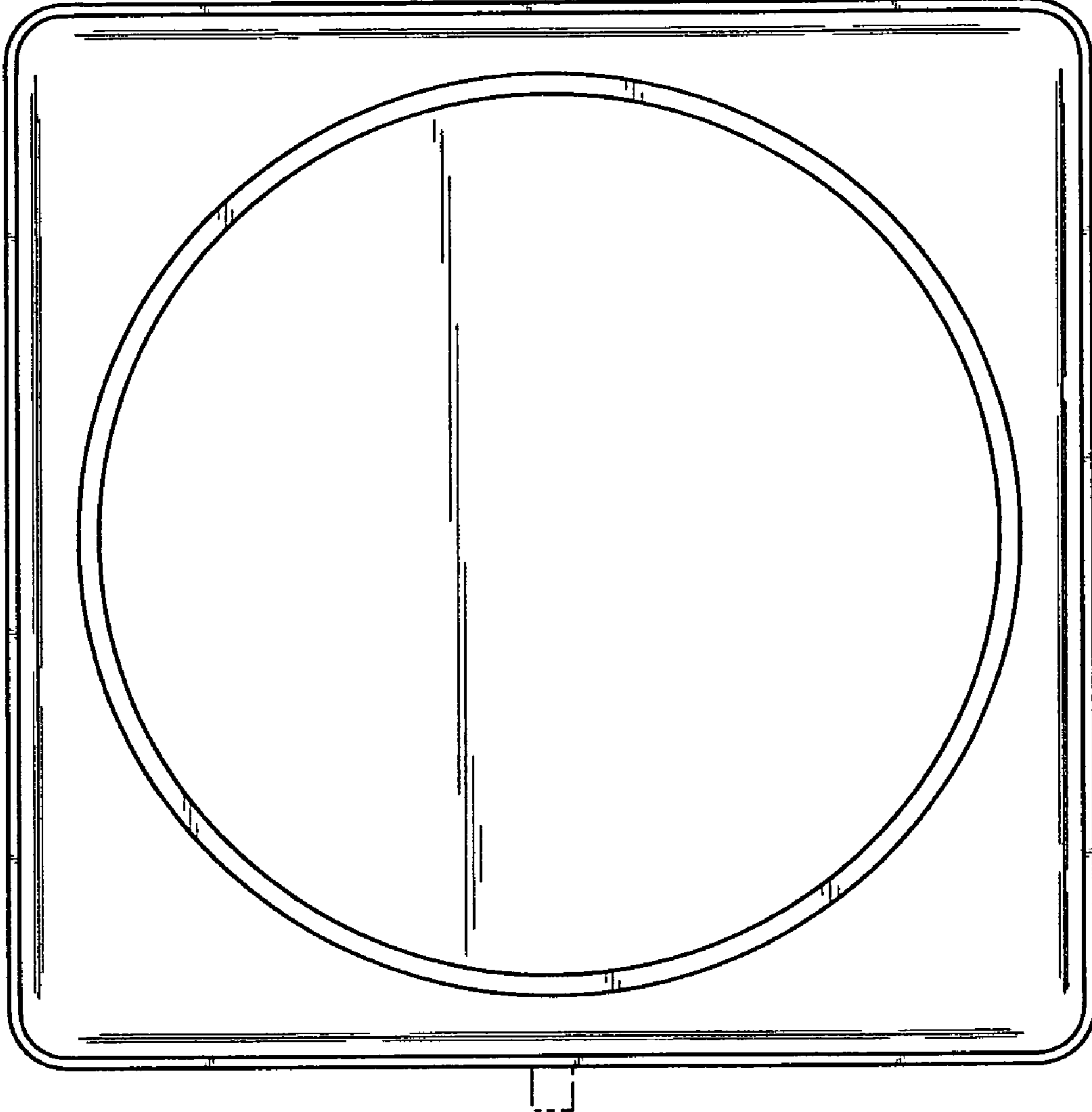
***Fig. 5***



***Fig. 6***



***Fig. 7***



**Fig. 8**