



US00D604725S

(12) **United States Design Patent**  
**Chen**

(10) **Patent No.:** **US D604,725 S**

(45) **Date of Patent:** **\*\* Nov. 24, 2009**

(54) **SIGNAL ADAPTING APPARATUS**

(75) Inventor: **Sung-Chi Chen**, Chung Ho (TW)

(73) Assignee: **Amtran Technology Co., Ltd.**, Taipei  
County (TW)

(\*\*) Term: **14 Years**

(21) Appl. No.: **29/321,365**

(22) Filed: **Jul. 15, 2008**

(30) **Foreign Application Priority Data**

Jun. 6, 2008 (TW) ..... 97303332

(51) **LOC (9) Cl.** ..... **14-03**

(52) **U.S. Cl.** ..... **D14/240; D13/184; D14/433**

(58) **Field of Classification Search** ..... D14/356,  
D14/358, 233, 240, 242, 300, 348, 388, 433,  
D14/155; D13/184, 137.2, 107, 108, 144;  
360/69; 379/220.1, 220.14, 25, 93.09, 93.15,  
379/156, 900, 338, 329; 381/124; 607/36;  
307/10.1; 439/668

See application file for complete search history.

(56) **References Cited**

**U.S. PATENT DOCUMENTS**

- D262,106 S \* 12/1981 Frassanito ..... D14/242
- D322,963 S \* 1/1992 Kittirutsunetorn ..... D14/242
- D326,089 S \* 5/1992 Gowda et al. .... D14/355
- D400,512 S \* 11/1998 Korhonen ..... D13/184
- D407,393 S \* 3/1999 Kazama ..... D14/125
- D464,339 S \* 10/2002 Tomino et al. .... D14/240
- D497,350 S \* 10/2004 Ichitsubo et al. .... D13/184
- D522,508 S \* 6/2006 Chen ..... D14/356
- D525,968 S \* 8/2006 Peng et al. .... D14/300

- D529,903 S \* 10/2006 McRae et al. .... D14/240
- D532,781 S \* 11/2006 Ohno ..... D14/300
- D535,281 S \* 1/2007 Yang ..... D14/203.3
- D541,263 S \* 4/2007 Yao ..... D14/240
- D541,792 S \* 5/2007 Liu et al. .... D14/240
- D564,493 S \* 3/2008 Tejima ..... D14/168
- D565,568 S \* 4/2008 Trifilio et al. .... D14/356
- D568,312 S \* 5/2008 Wang et al. .... D14/356
- D583,796 S \* 12/2008 Tanaka ..... D14/155
- D585,055 S \* 1/2009 Sabag et al. .... D14/300

\* cited by examiner

*Primary Examiner*—Charles A Rademaker

*Assistant Examiner*—Charles D Hanson

(74) *Attorney, Agent, or Firm*—Muncy, Geissler, Olds &  
Lowe, PLLC

(57) **CLAIM**

The ornamental design for a signal adapting apparatus, as shown and described.

**DESCRIPTION**

FIG. 1 is a perspective view of a signal adapting apparatus showing our design;

FIG. 2 is another perspective view thereof;

FIG. 3 is a front elevation view thereof;

FIG. 4 is a top plan view thereof;

FIG. 5 is a rear elevation view thereof;

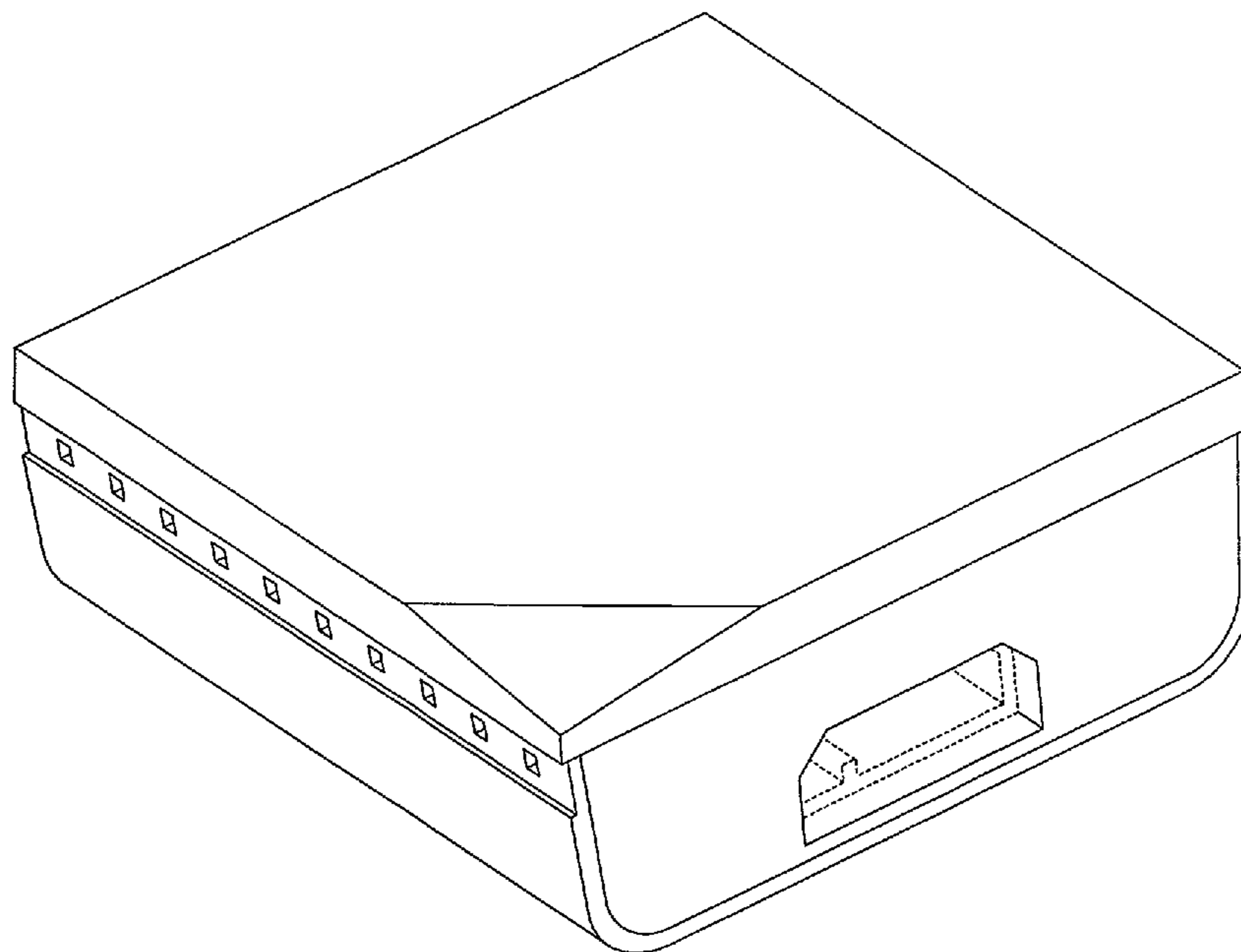
FIG. 6 is a left elevation view thereof;

FIG. 7 is a right elevation view thereof; and,

FIG. 8 is a bottom plan view thereof.

The broken lines are shown in the views for illustrative purposes only and form no part of the claimed design.

**1 Claim, 7 Drawing Sheets**



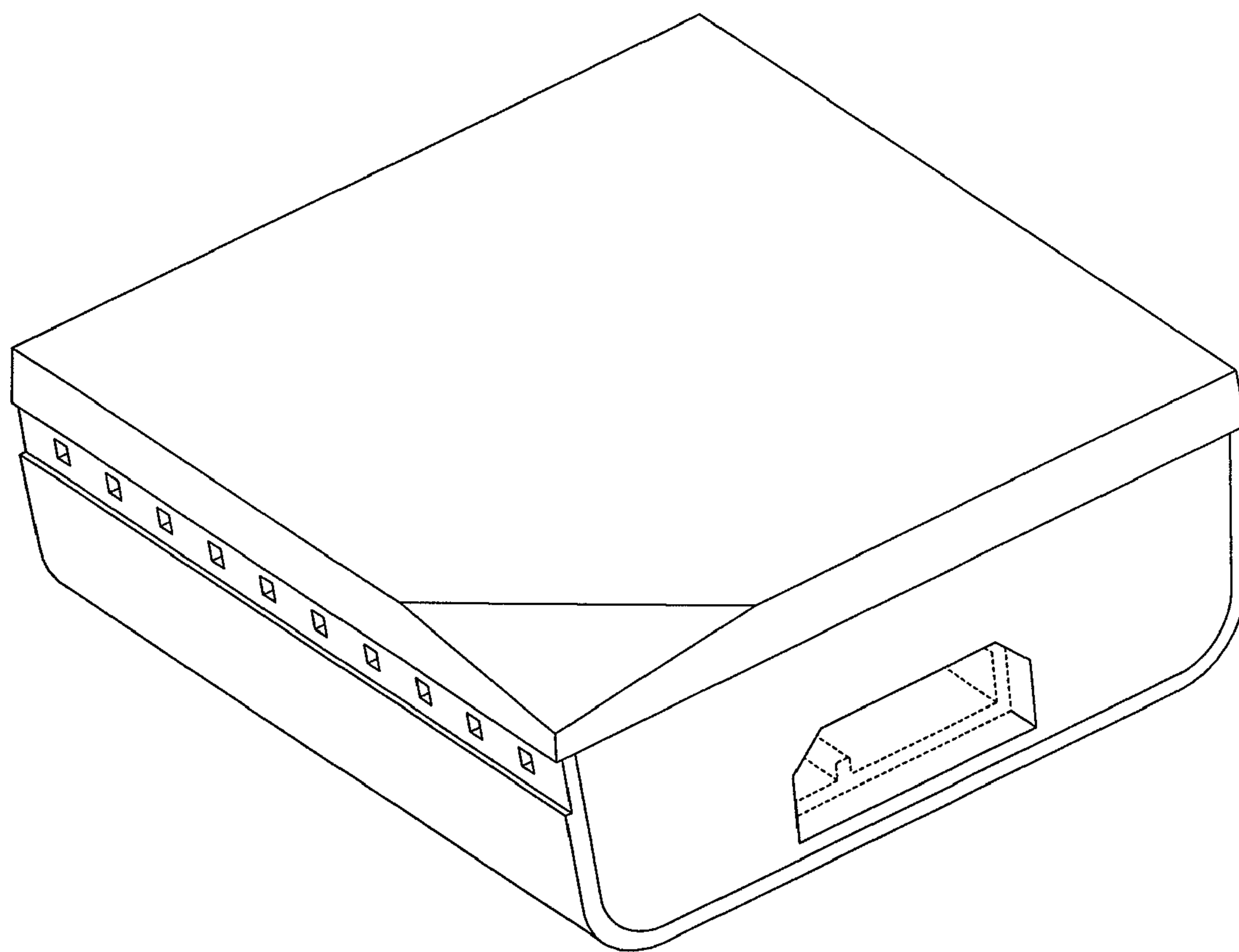


FIG. 1

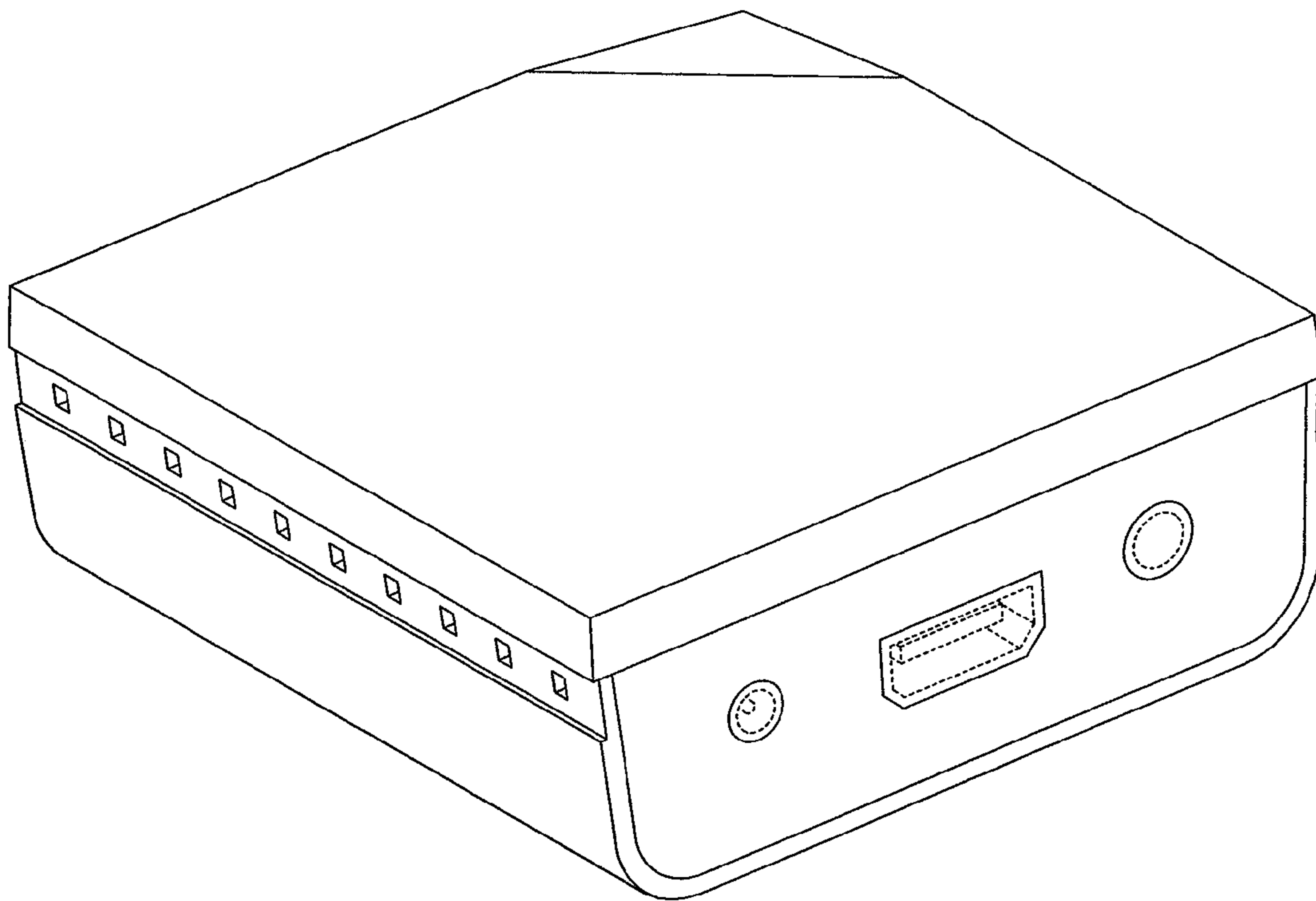


FIG. 2

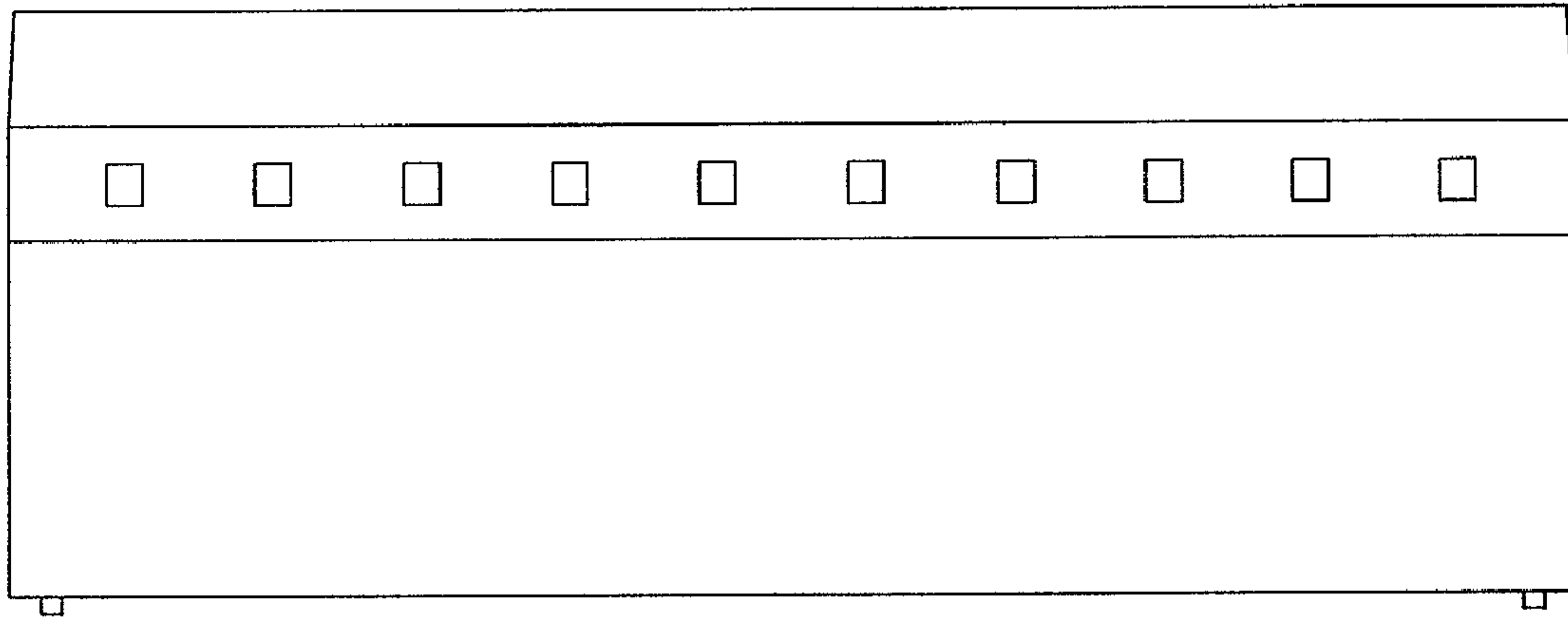


FIG. 3

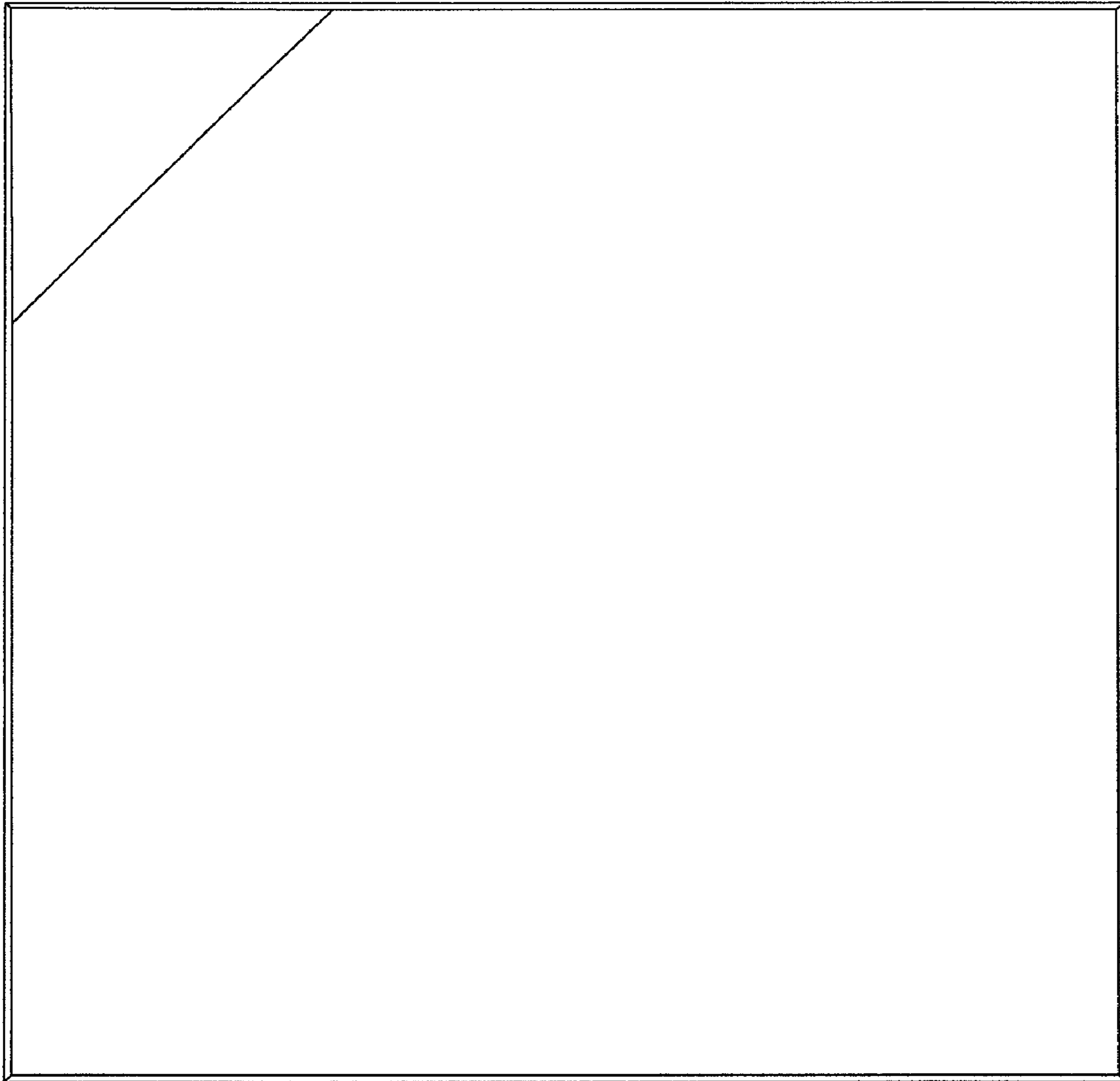


FIG. 4

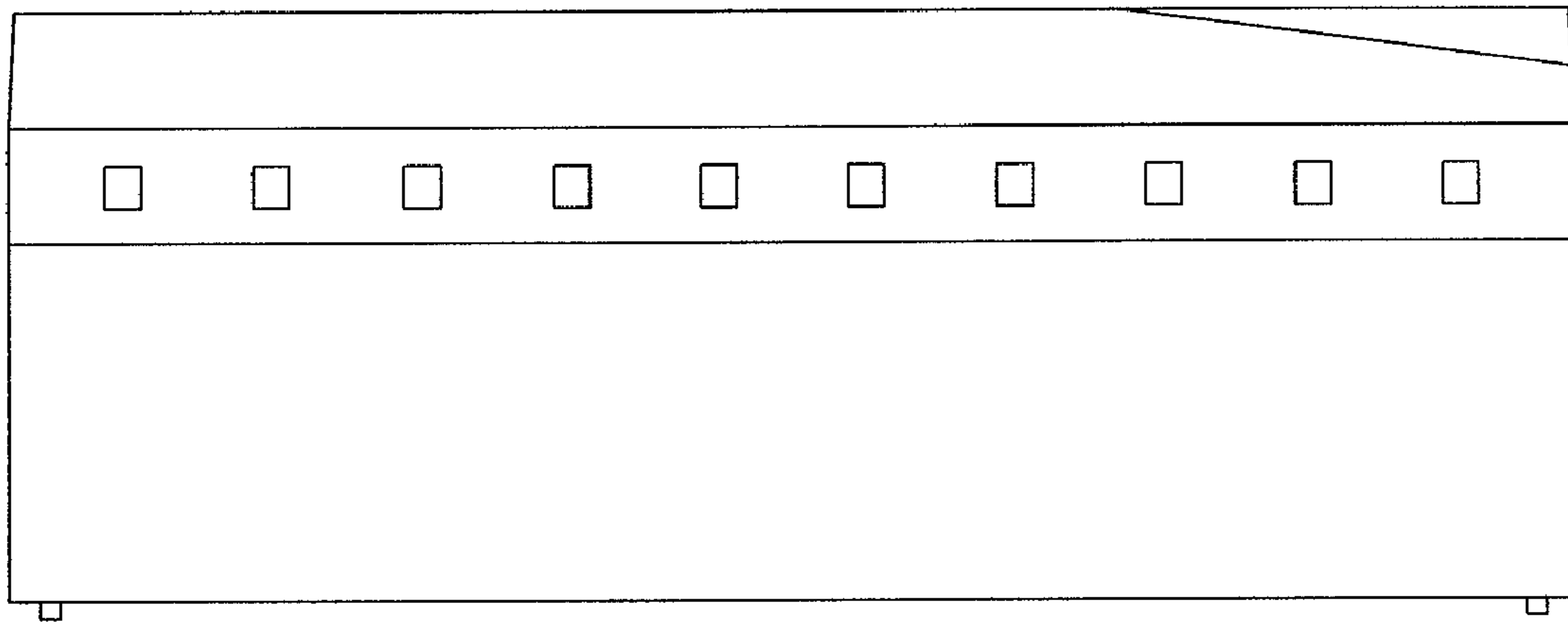


FIG. 5

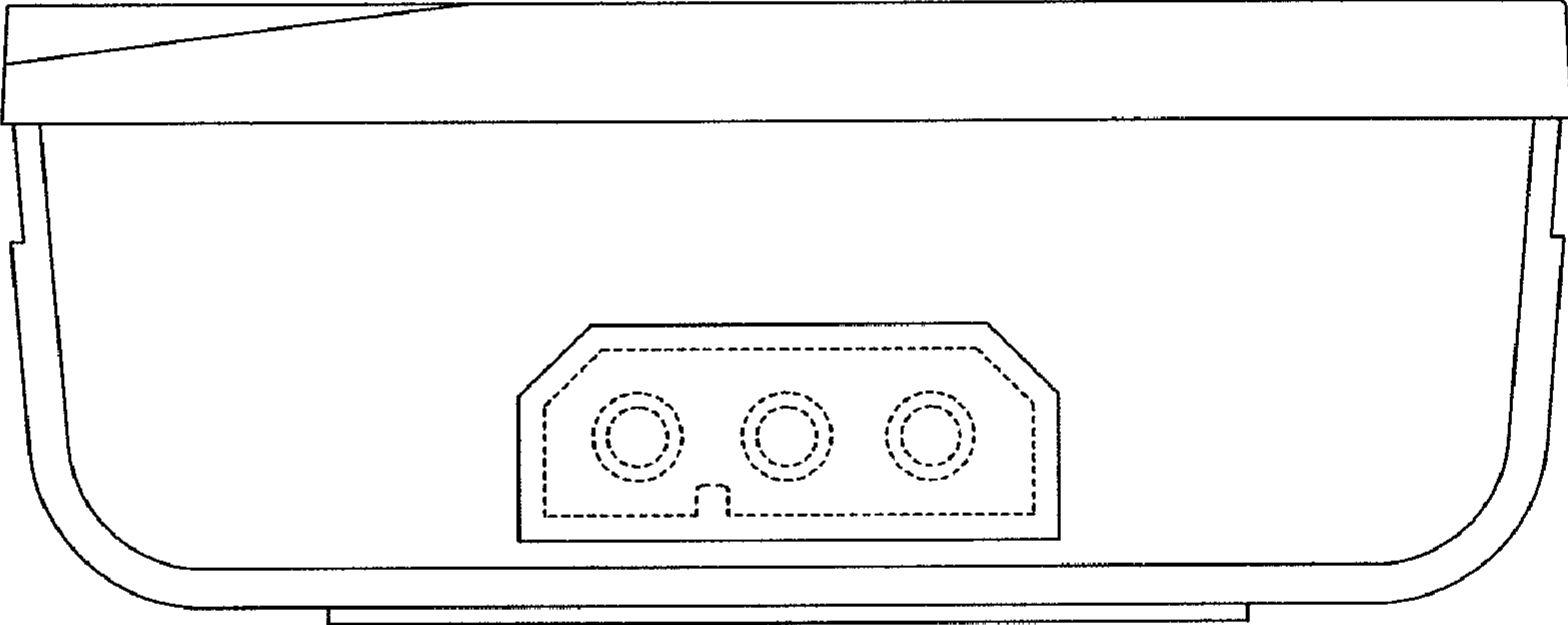


FIG. 6

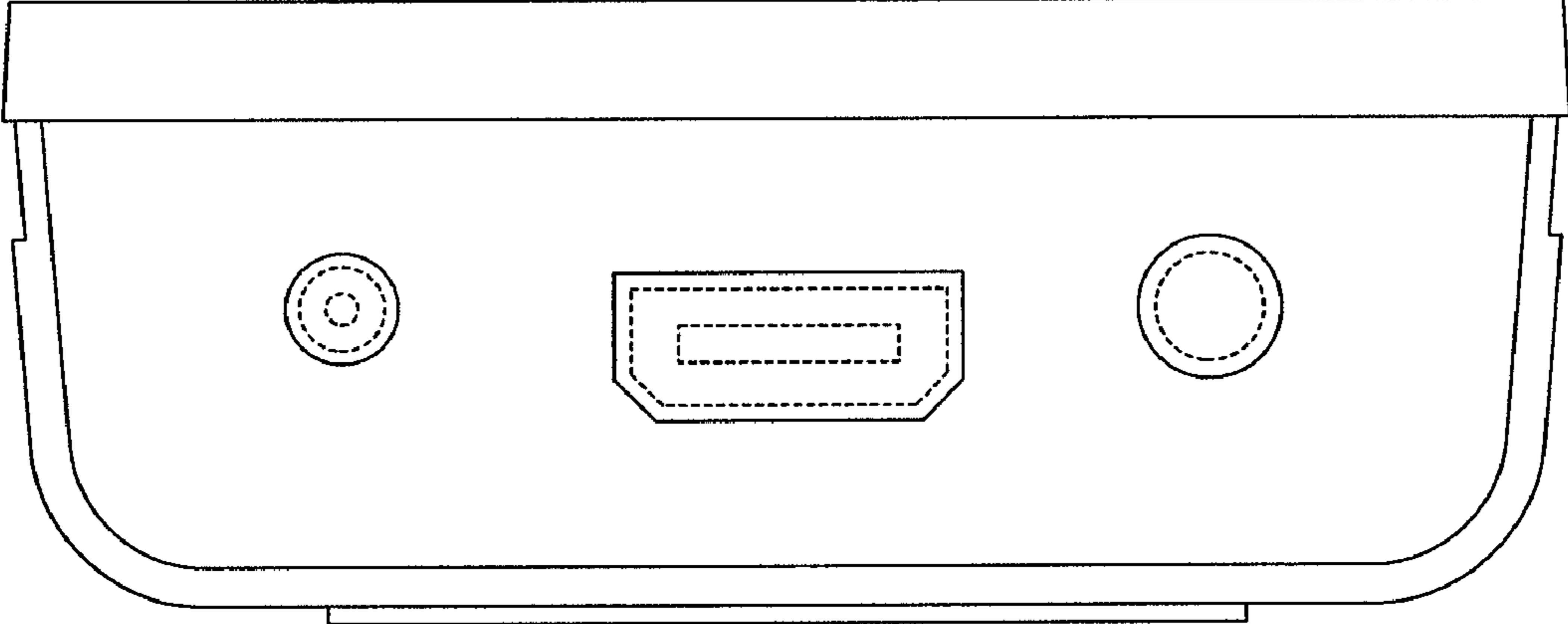


FIG. 7

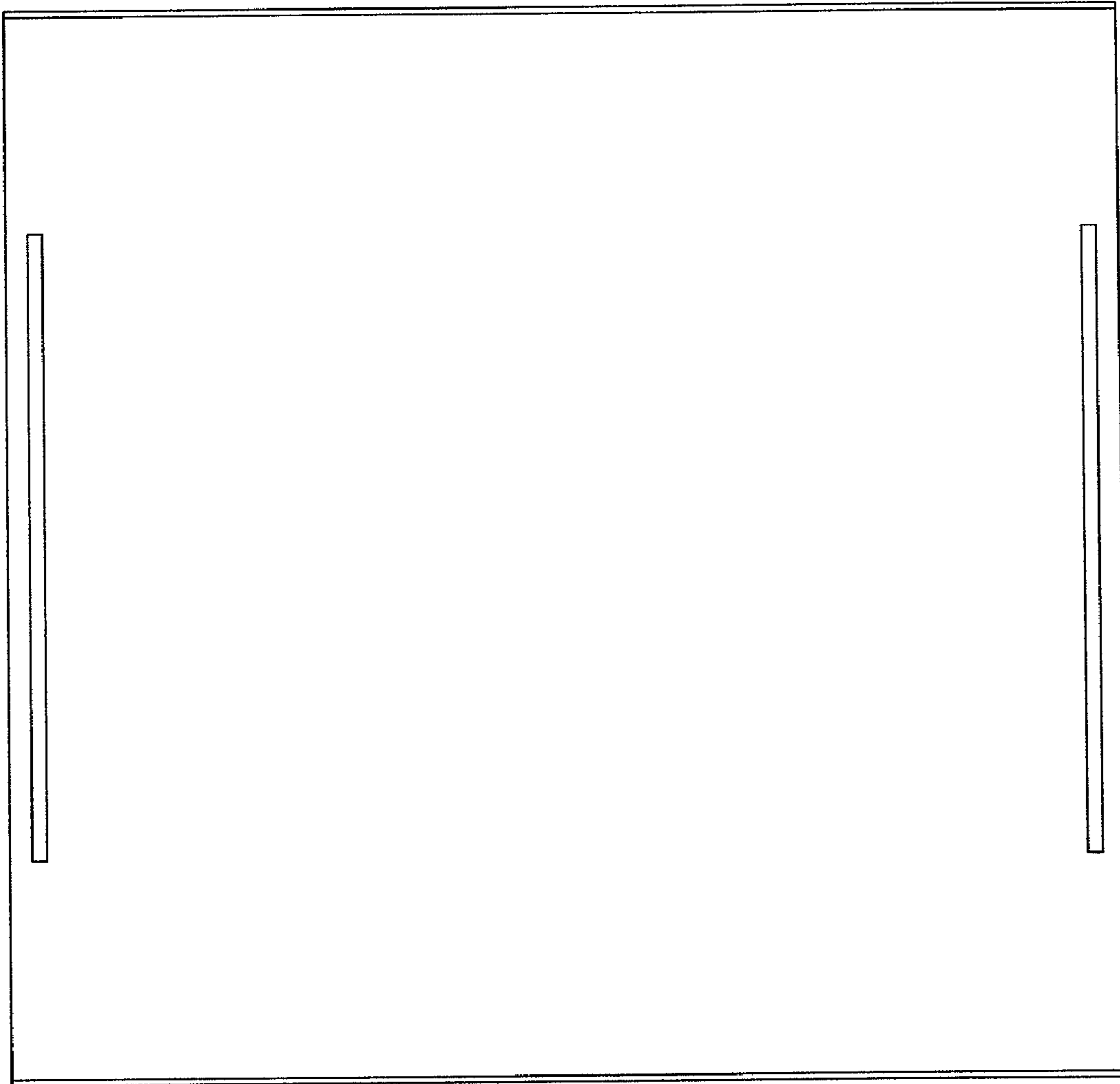


FIG. 8