



US00D604724S

(12) **United States Design Patent**
Vorreiter et al.

(10) **Patent No.:** **US D604,724 S**
(45) **Date of Patent:** **** Nov. 24, 2009**

(54) **WIRELESS LOCAL AREA NETWORK
DEVICE**

(75) Inventors: **Lor John Vorreiter**, San Jose, CA (US);
Jeffrey L. Pochop, Jr., Los Gatos, CA
(US); **Jonathan Burke**, Corte Madera,
CA (US)

(73) Assignee: **Aruba Networks, Inc.**, Sunnyvale, CA
(US)

(**) Term: **14 Years**

(21) Appl. No.: **29/282,827**

(22) Filed: **Jul. 30, 2007**

(51) **LOC (9) Cl.** **14-02**

(52) **U.S. Cl.** **D14/240**

(58) **Field of Classification Search** D14/188,
D14/242, 496, 230–237, 241, 167, 302, 314,
D14/348–358, 363, 383, 433, 43, 439–441,
D14/140–140.94; D13/149, 184; D3/201,
D3/273; 711/100, 115; 361/685, 725, 752;
369/272.1, 273, 75.11; 360/133, 79.01, 97.03;
379/220.01, 221.09, 220.14, 25, 93.09, 93.19,
379/156, 900, 338–339, 441

See application file for complete search history.

(56) **References Cited**

U.S. PATENT DOCUMENTS

D307,274 S * 4/1990 Sasaki et al. D14/243

D369,149 S * 4/1996 Chang et al. D14/357
D430,549 S * 9/2000 Du D14/149
D455,420 S * 4/2002 Arpe D14/240
D471,543 S * 3/2003 Yang et al. D14/240
D478,580 S * 8/2003 Schmidt et al. D14/240
D486,481 S * 2/2004 Chen D14/242
D512,050 S * 11/2005 Verding D14/240
D580,931 S * 11/2008 Chang et al. D14/356

* cited by examiner

Primary Examiner—Charles A Rademaker

Assistant Examiner—Charles D Hanson

(74) *Attorney, Agent, or Firm*—Blakely, Sokoloff, Taylor &
Zafman LLP

(57) **CLAIM**

We claim the ornamental design for a wireless local area
network device, as shown and described.

DESCRIPTION

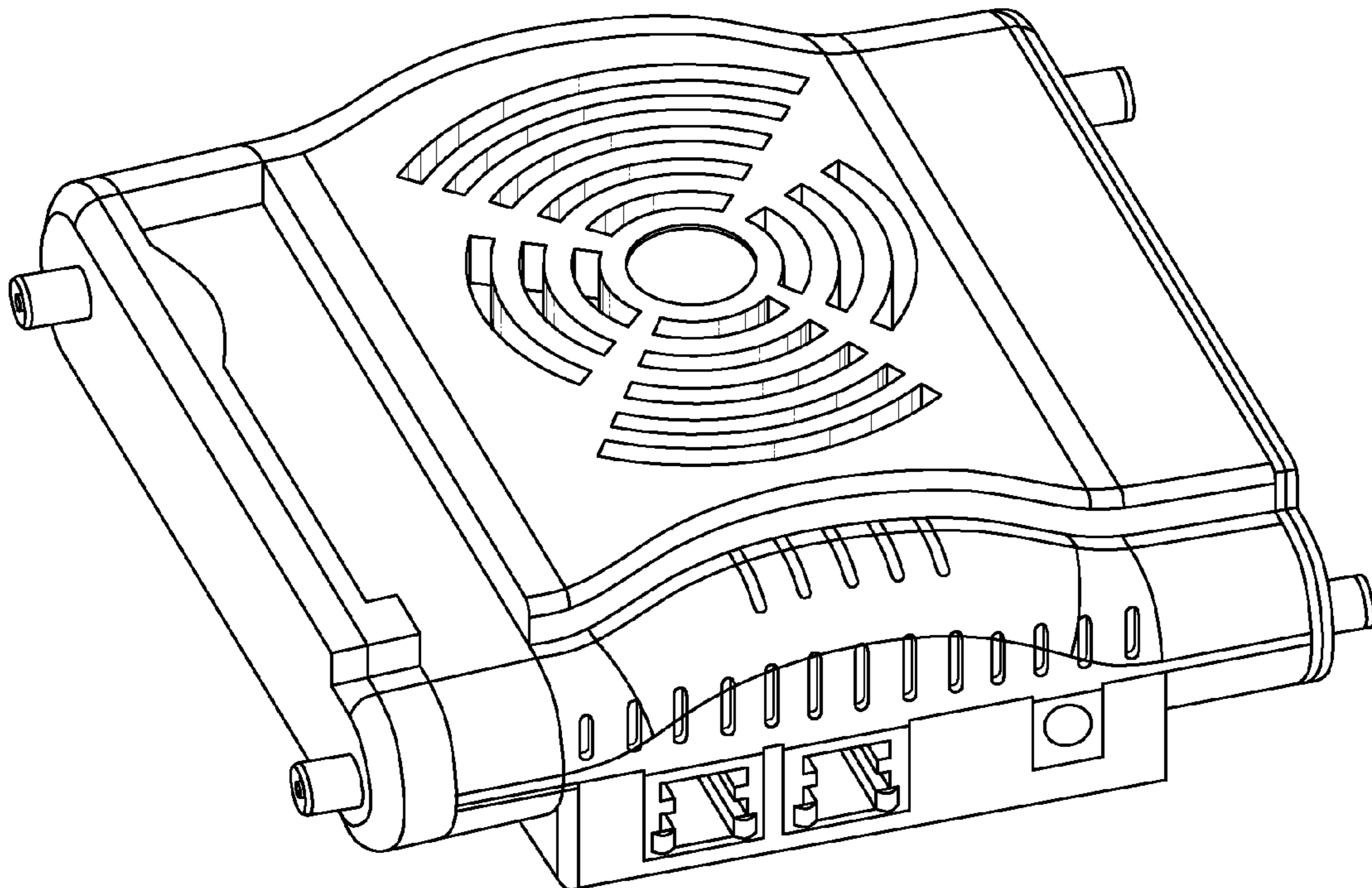
FIG. 1 is a top perspective view of a wireless local area
network device showing our new design;

FIG. 2 is a top view thereof;

FIG. 3 is an end view thereof; and,

FIG. 4 is a rear isometric view thereof.

1 Claim, 2 Drawing Sheets



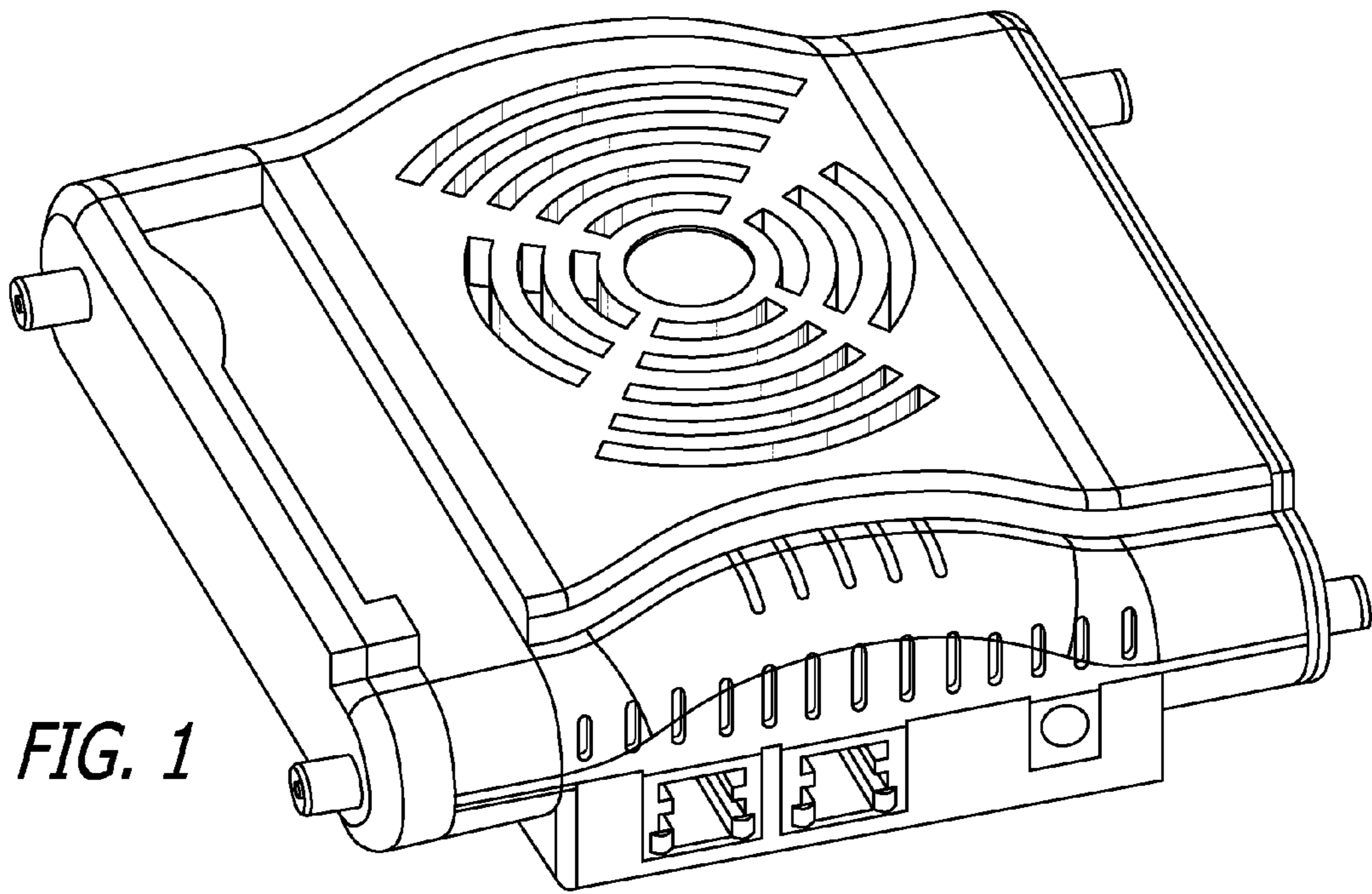
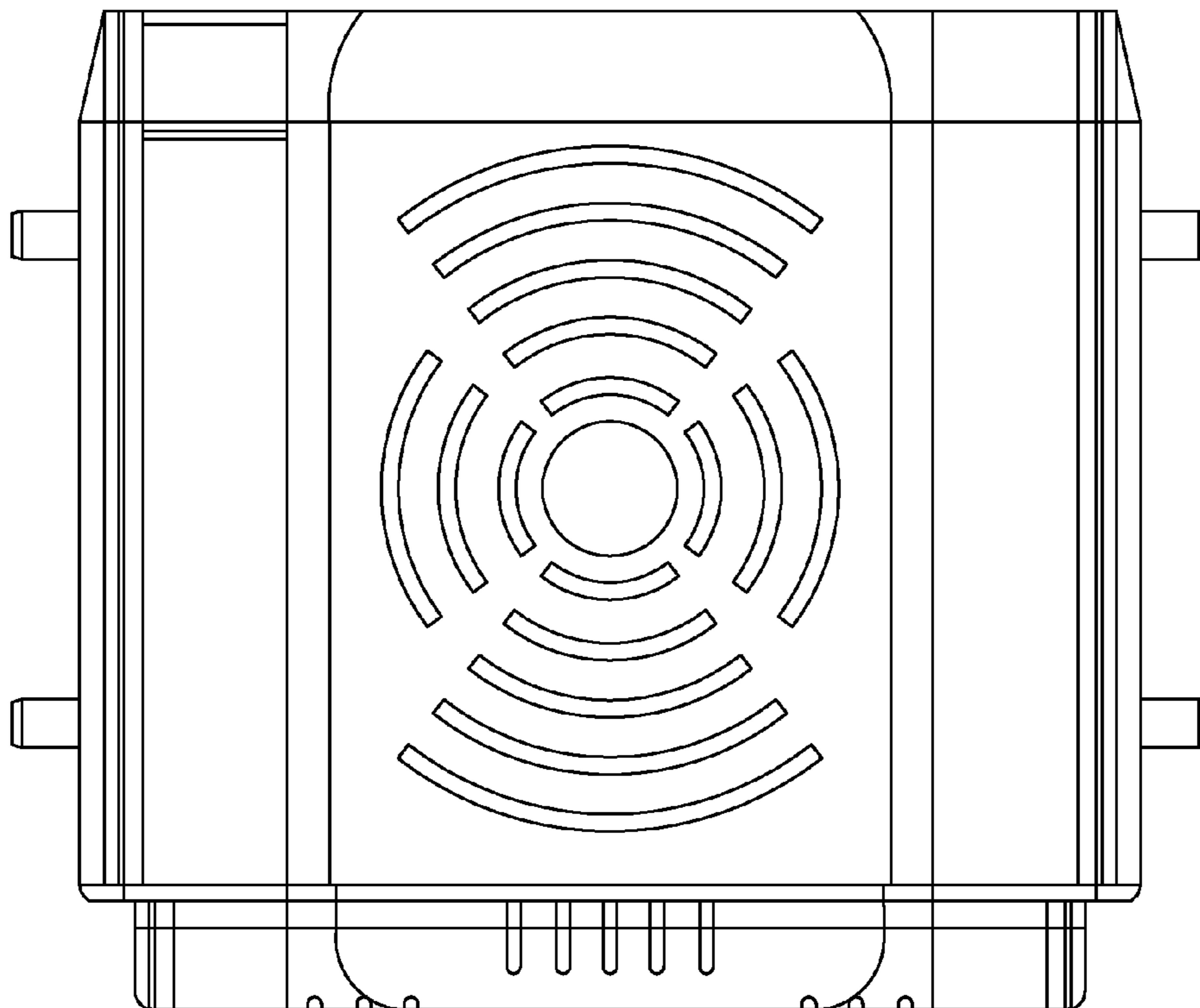


FIG. 1

FIG. 2



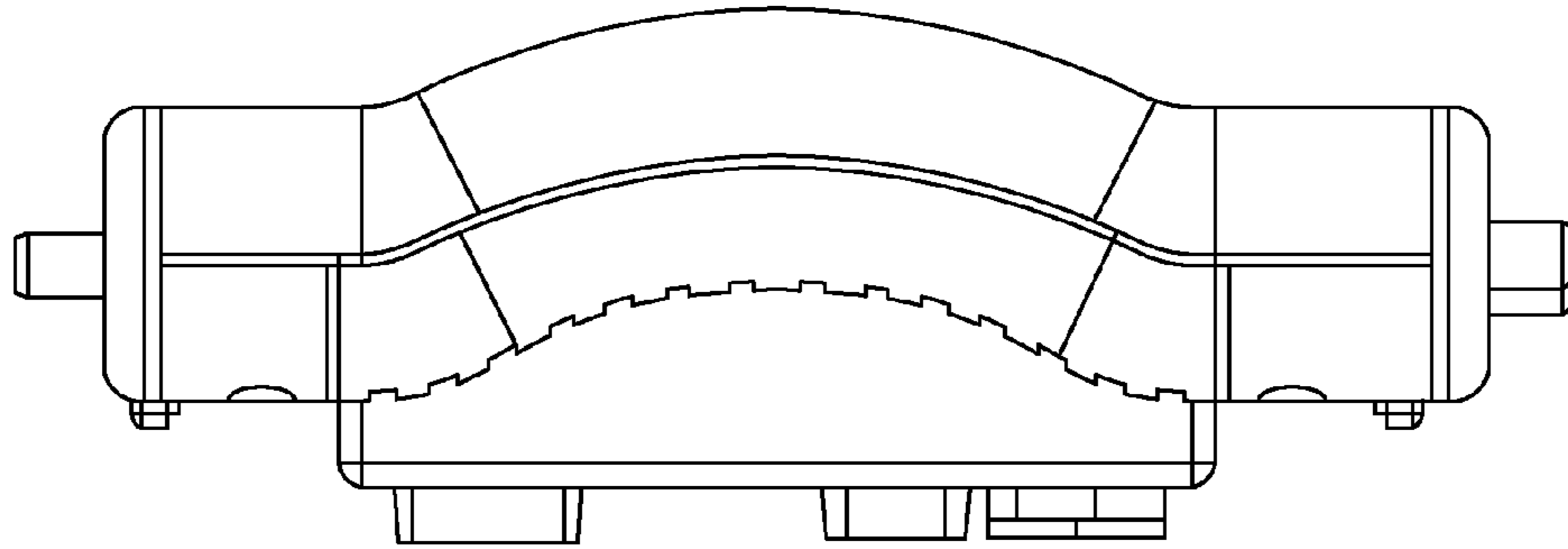


FIG. 3

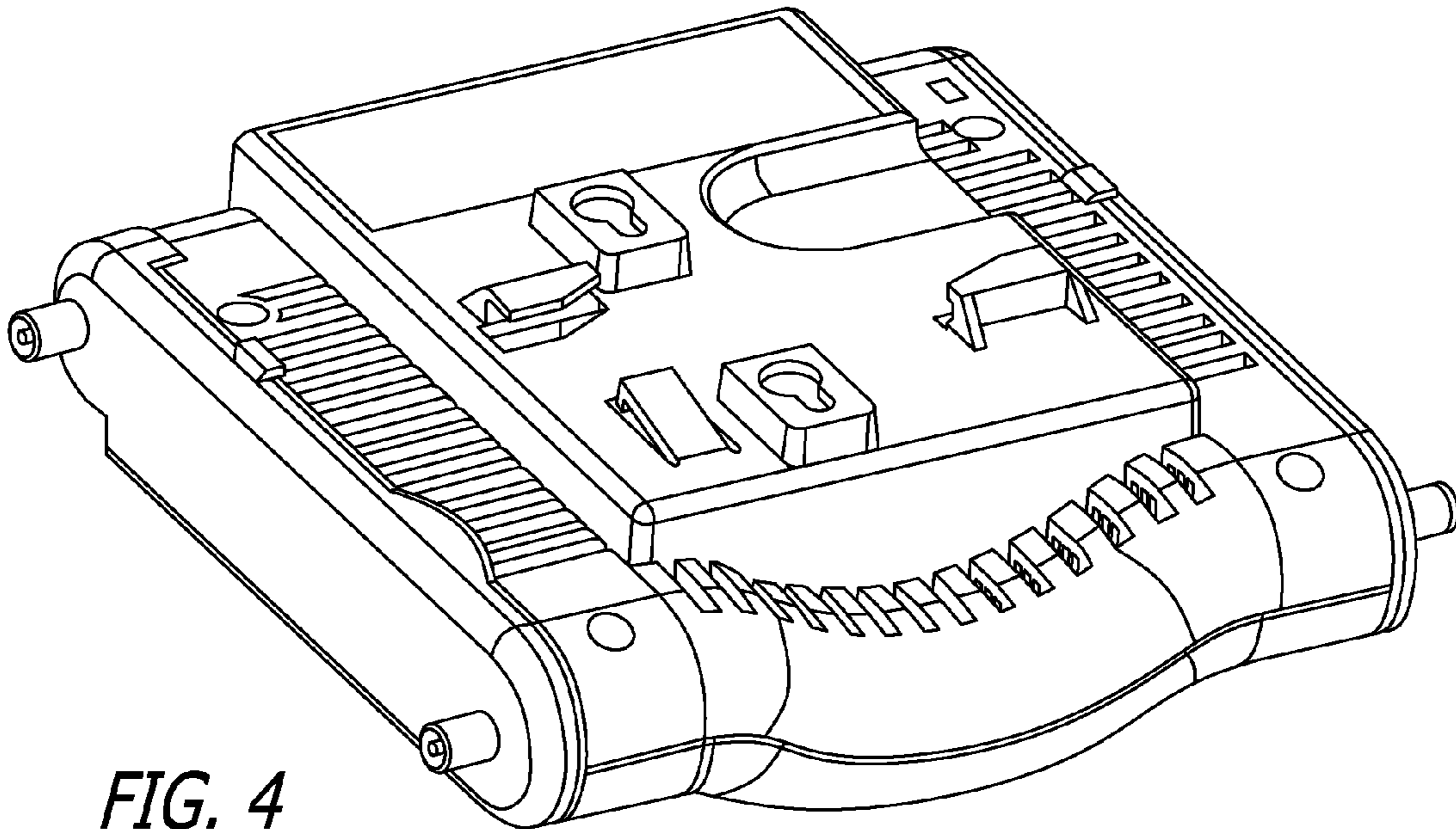


FIG. 4

UNITED STATES PATENT AND TRADEMARK OFFICE
CERTIFICATE OF CORRECTION

PATENT NO. : Des. 604,724 S
APPLICATION NO. : 29/282827
DATED : November 24, 2009
INVENTOR(S) : Loren John Vorreiter, Jeffrey L. Pochop, Jr. and Jonathan Burke

Page 1 of 1

It is certified that error appears in the above-identified patent and that said Letters Patent is hereby corrected as shown below:

Title Page;
In (75), at line 1, delete "Lor" and insert --Loren--

Signed and Sealed this

Fifth Day of January, 2010

A handwritten signature in black ink that reads "David J. Kappos". The signature is written in a cursive, flowing style.

David J. Kappos
Director of the United States Patent and Trademark Office