



US00D604722S

(12) **United States Design Patent**
Mistry

(10) **Patent No.:** **US D604,722 S**

(45) **Date of Patent:** **** Nov. 24, 2009**

(54) **COMMUNICATIONS HEADSET**

(75) Inventor: **Manoj Mistry**, Santa Cruz, CA (US)

(73) Assignee: **Plantronics, Inc.**, Santa Cruz, CA (US)

(**) Term: **14 Years**

(21) Appl. No.: **29/333,563**

(22) Filed: **Mar. 11, 2009**

(51) **LOC (9) Cl.** **14-01**

(52) **U.S. Cl.** **D14/223**

(58) **Field of Classification Search** D14/205,
D14/206, 223, 188, 138, 192, 217, 218; D13/168;
D24/174; 381/380, 381; 379/430, 433.01,
379/433.06; 455/92, 575.1, 575.2, 569.1;
181/129, 130
See application file for complete search history.

(56) **References Cited**

U.S. PATENT DOCUMENTS

D303,638 S *	9/1989	Andrews et al.	D10/106
D306,853 S *	3/1990	Mayo et al.	D13/168
D317,310 S *	6/1991	Schwartz	D14/218
D393,480 S *	4/1998	Komuta et al.	D18/7
D453,503 S *	2/2002	Fitzsimmons et al.	D13/168
D478,893 S *	8/2003	Corander	D14/218
D490,069 S *	5/2004	Lee	D14/188
D496,653 S *	9/2004	Townsend et al.	D14/240
D511,770 S *	11/2005	Chung	D14/240
D519,101 S *	4/2006	Alwicker et al.	D14/188
D535,974 S *	1/2007	Alwicker et al.	D14/188
D536,692 S *	2/2007	Alwicker et al.	D14/188
D543,937 S *	6/2007	Rose et al.	D13/110
7,248,902 B2 *	7/2007	Chu	455/569.1
D566,692 S *	4/2008	Sade et al.	D14/223
D574,366 S *	8/2008	Sade et al.	D14/223
D581,370 S *	11/2008	Corsini et al.	D13/168
D581,396 S *	11/2008	Wikel et al.	D14/206
D581,906 S *	12/2008	Birger	D14/223

D582,897 S *	12/2008	Christopher et al.	D14/223
D582,899 S *	12/2008	Wai	D14/223
D583,805 S *	12/2008	Jaakkola et al.	D14/223
D585,430 S *	1/2009	Kim et al.	D14/223
D586,301 S *	2/2009	Corsini et al.	D13/168
D588,113 S *	3/2009	Bradford	D14/223
D590,377 S *	4/2009	Bradford	D14/223
D590,378 S *	4/2009	Bradford	D14/223
D590,813 S *	4/2009	Bradford et al.	D14/223
D590,814 S *	4/2009	Bradford	D14/223
D592,190 S *	5/2009	Birger	D14/223
D595,272 S *	6/2009	Kim et al.	D14/223
D596,165 S *	7/2009	Henning	D14/223
D596,166 S *	7/2009	Henning	D14/223
D596,614 S *	7/2009	Wilson	D14/188
D597,534 S *	8/2009	Christopher	D14/223
D598,900 S *	8/2009	Wikel et al.	D14/223

* cited by examiner

Primary Examiner—Paula Greene

(74) *Attorney, Agent, or Firm*—Michael D. Rodriguez

(57) **CLAIM**

The ornamental design for a communications headset, as shown and described.

DESCRIPTION

FIG. 1 is front-top-left perspective view of a communications headset showing our new design;

FIG. 2 is a left side view thereof;

FIG. 3 is a right side view thereof;

FIG. 4 is a top view thereof;

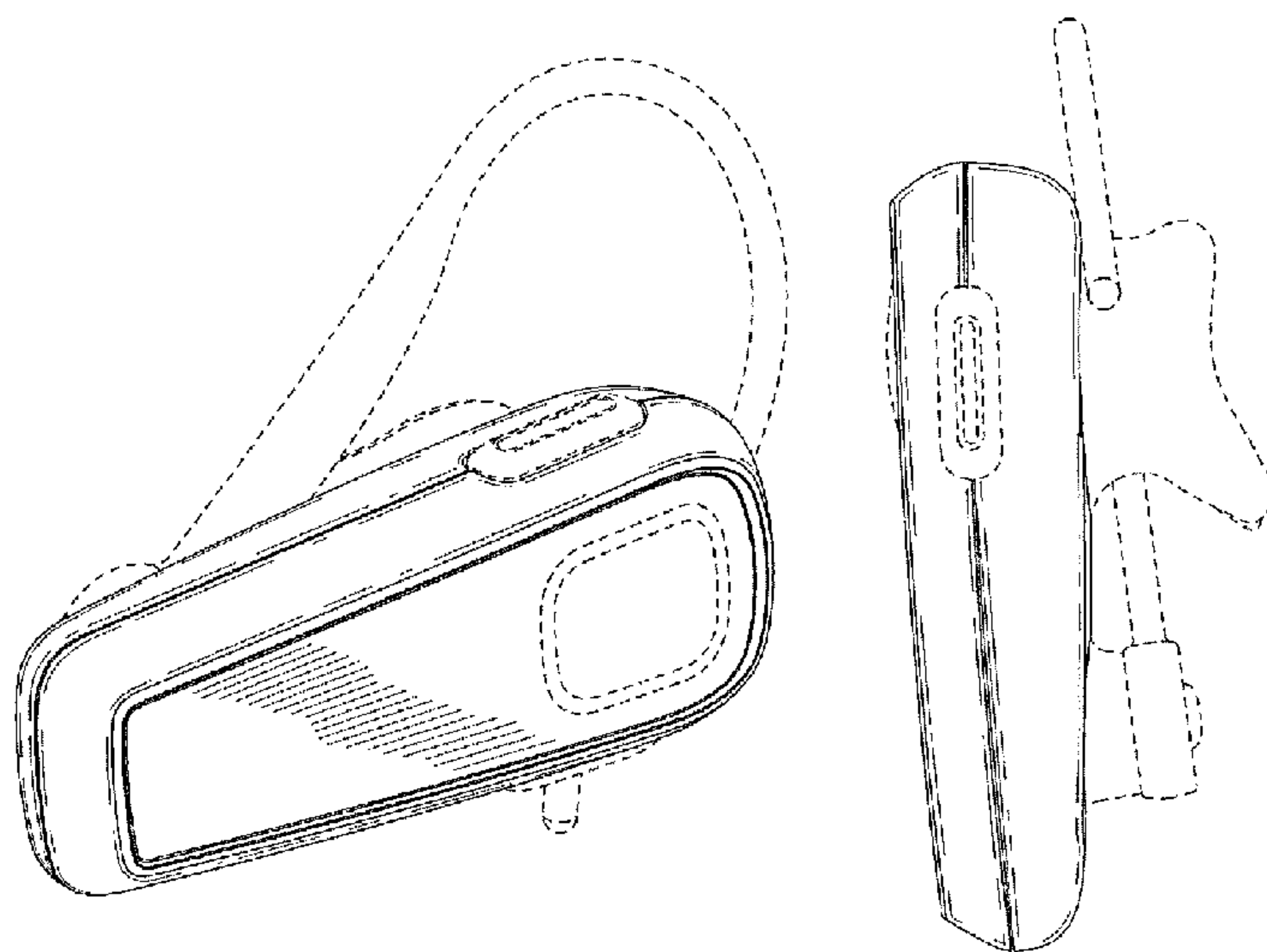
FIG. 5 is a bottom view thereof; and

FIG. 6 is a back view thereof; and,

FIG. 7 is a front view thereof.

The broken lines showing of the unclaimed environment forms no part of the claimed design.

1 Claim, 2 Drawing Sheets



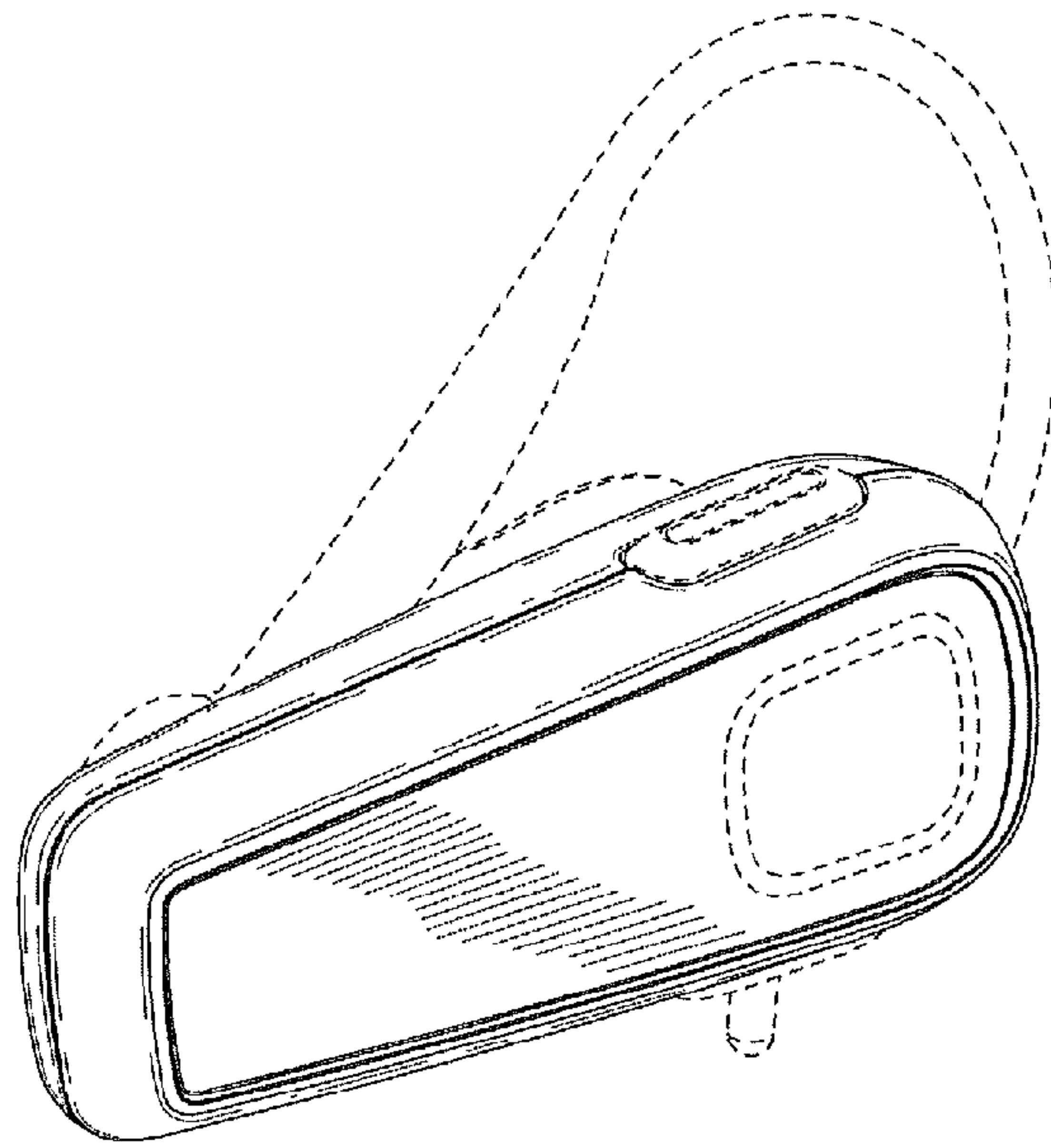


FIG. 1

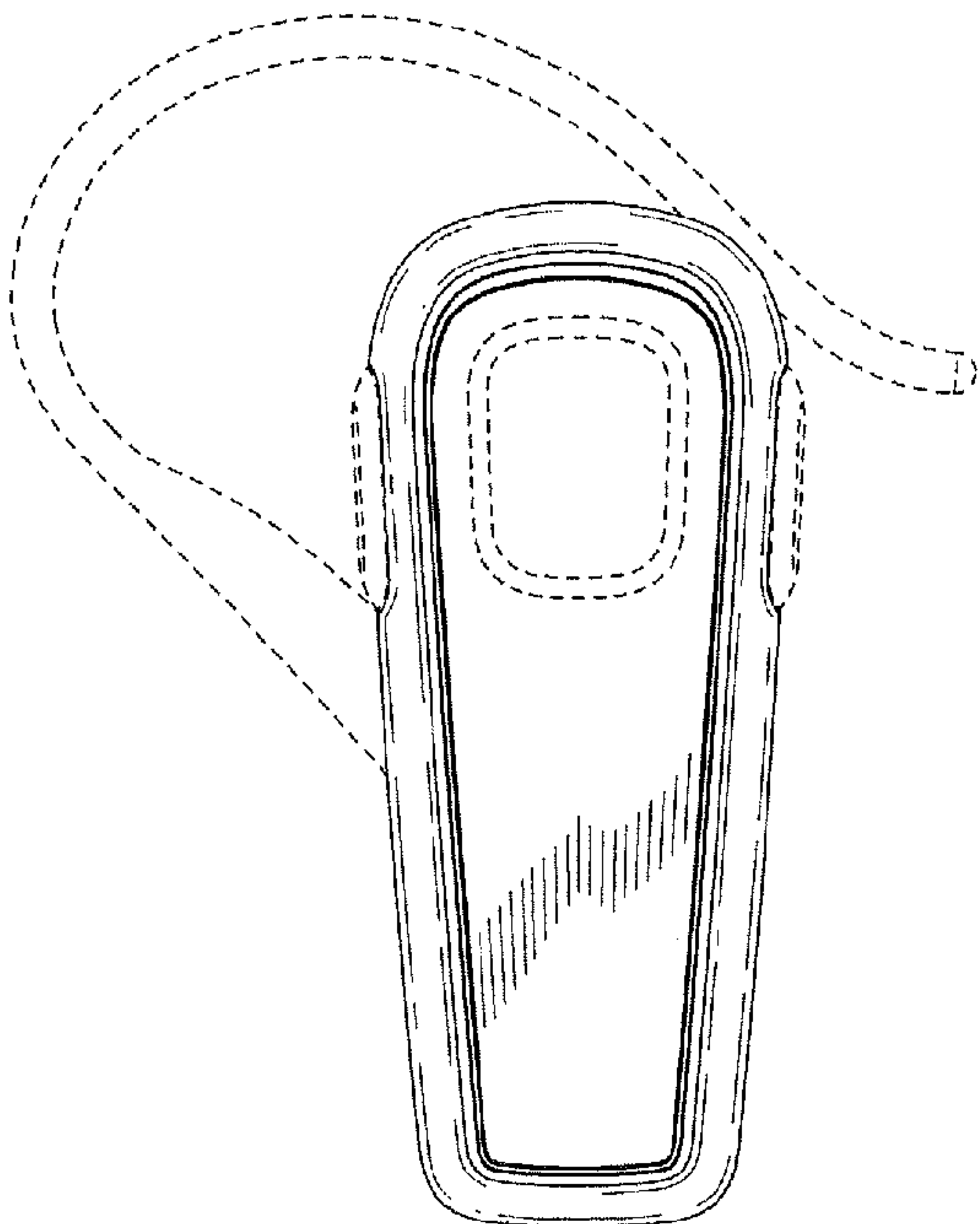


FIG. 2

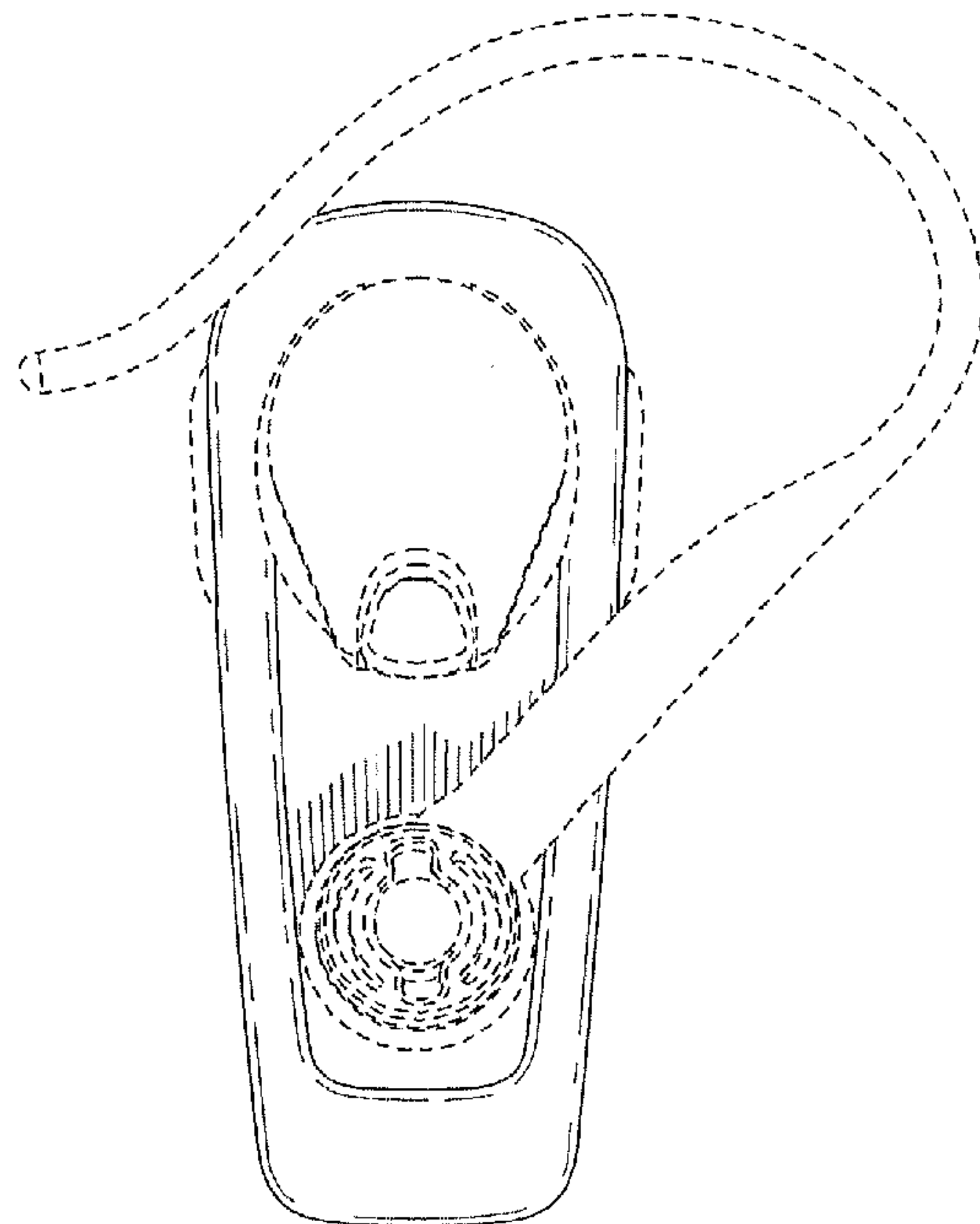


FIG. 3

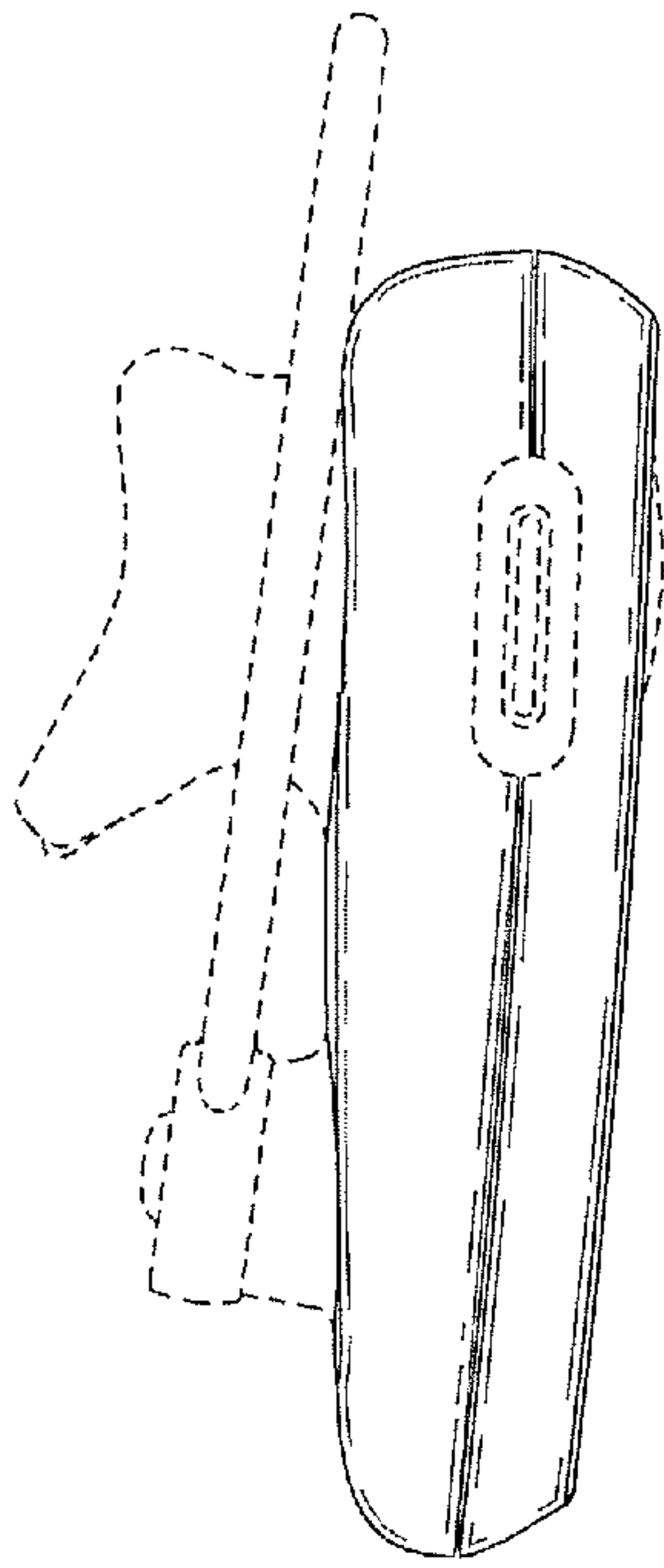


FIG. 4

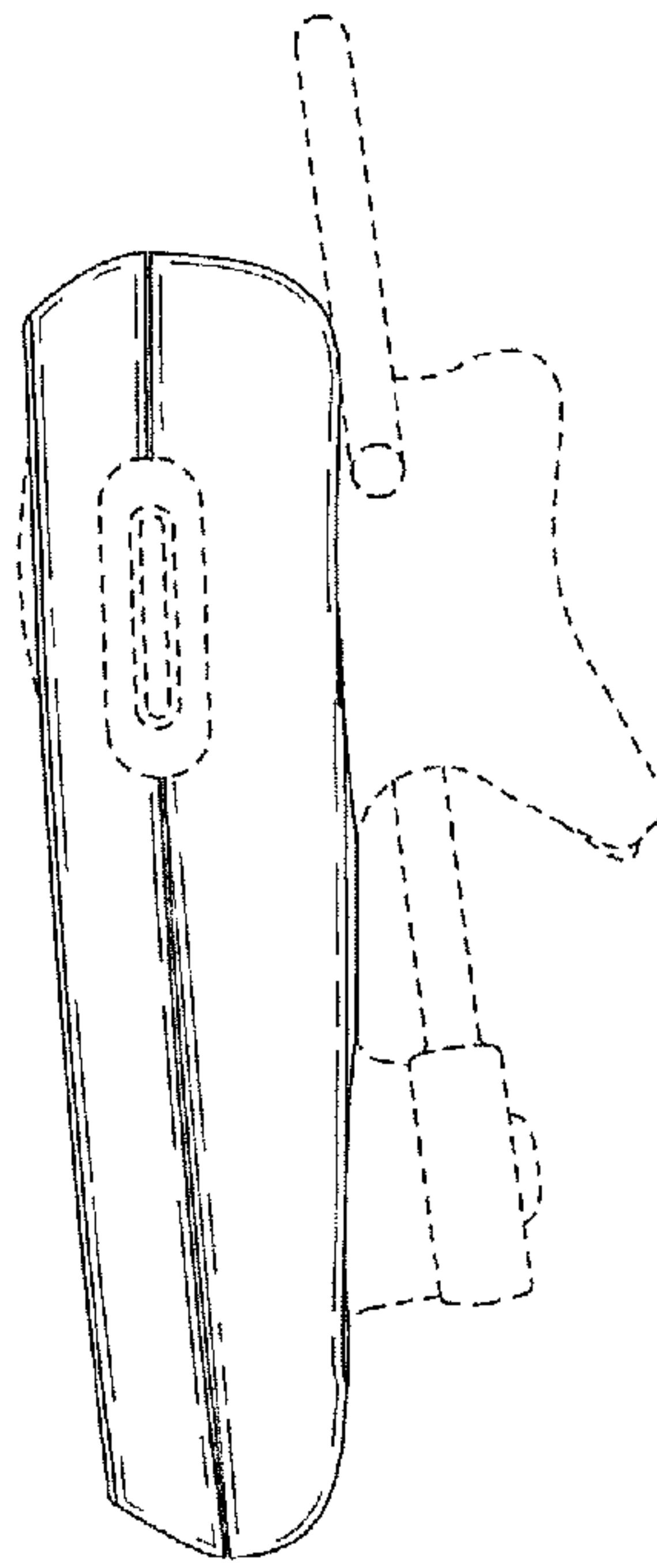


FIG. 5

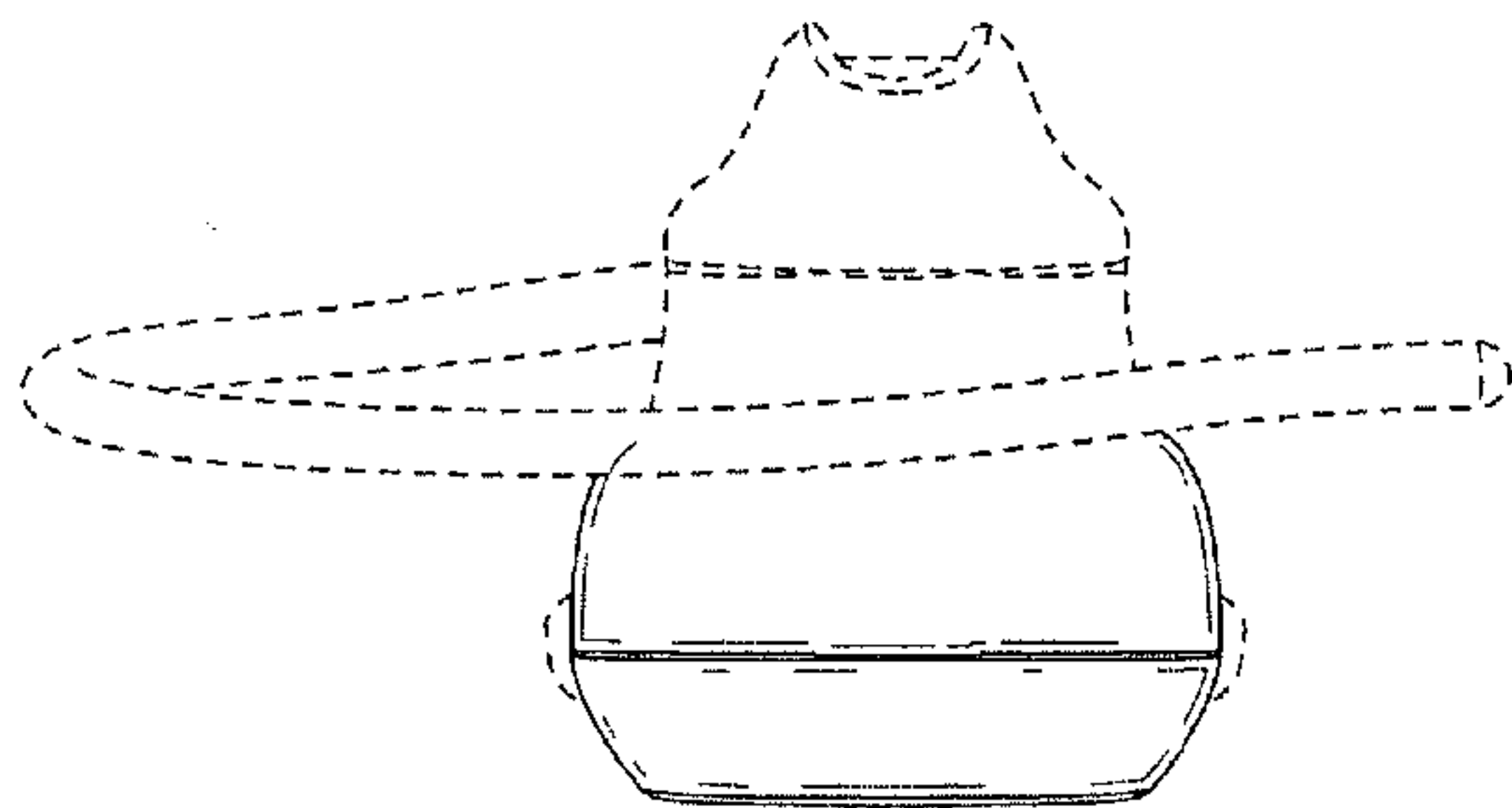


FIG. 6

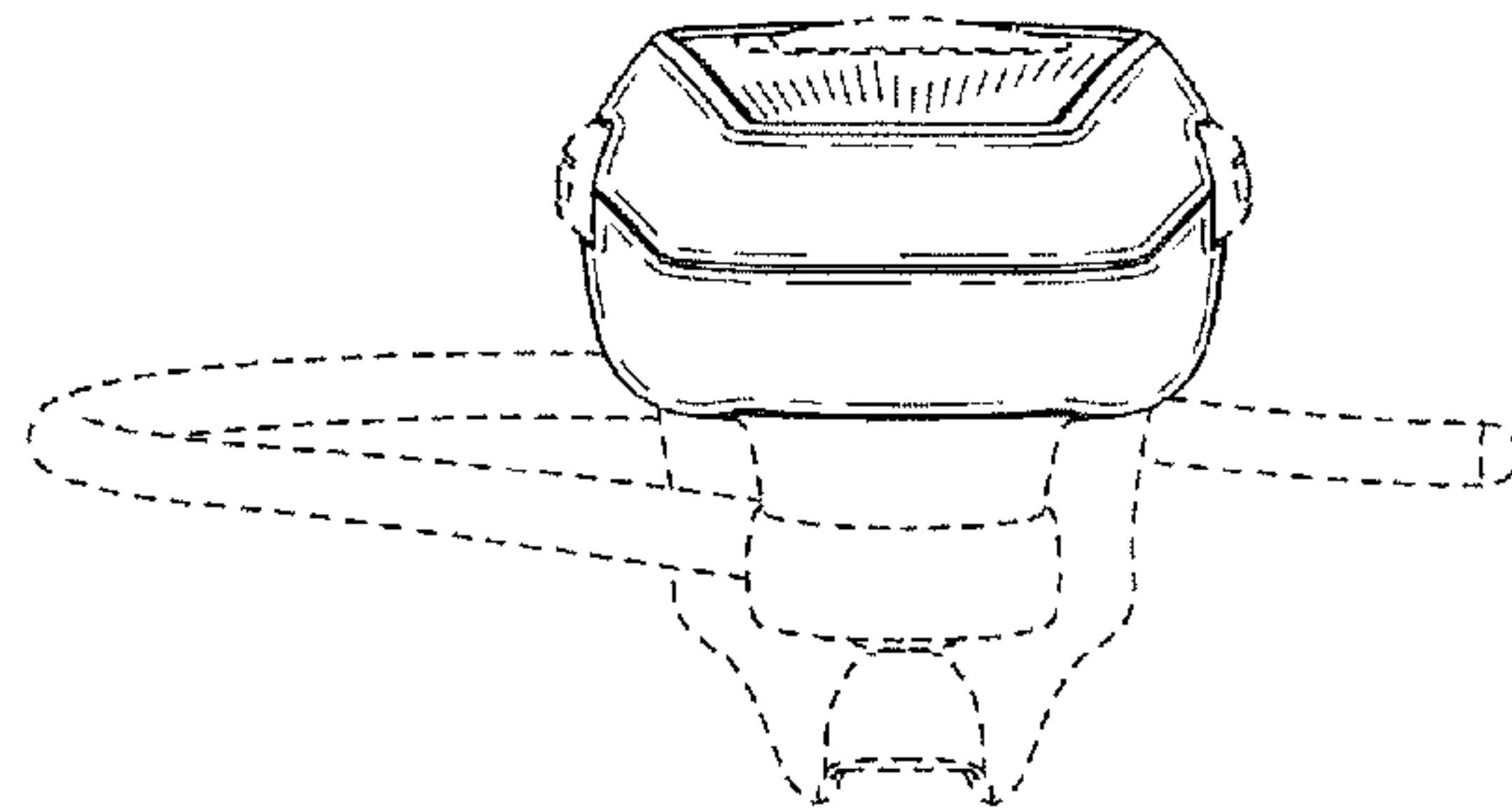


FIG. 7