

US00D604721S

(12) **United States Design Patent**  
**Lee**

(10) **Patent No.:** **US D604,721 S**

(45) **Date of Patent:** **\*\* Nov. 24, 2009**

(54) **DOCKING STATION**

(75) Inventor: **Johann Lee**, Whitestone, NY (US)

(73) Assignee: **Coby Electronics Corporation**, Lake Success, NY (US)

(\*\*) Term: **14 Years**

(21) Appl. No.: **29/326,955**

(22) Filed: **Oct. 28, 2008**

(51) **LOC (9) Cl.** ..... **14-03**

(52) **U.S. Cl.** ..... **D14/217; D14/188**

(58) **Field of Classification Search** ..... D14/142, D14/149, 155, 157, 188, 191-193, 203.1-203.8, D14/217, 251, 253, 432-435.1, 447, 451, D14/474, 480.1-480.7, 496; D13/107, 108, D13/118; D3/218; 248/221.11, 309.1; 320/107, 320/110, 113-115; 361/600, 679, 683, 686; 439/529, 534; 455/556.1-556.2, 557

See application file for complete search history.

(56) **References Cited**

**U.S. PATENT DOCUMENTS**

D431,548 S *	10/2000	Rashid et al.	.....	D14/168
D514,090 S *	1/2006	Carbone et al.	.....	D14/209.1
D545,810 S *	7/2007	Hussaini et al.	.....	D14/168
D547,303 S *	7/2007	Westrup et al.	.....	D14/214
D554,104 S *	10/2007	Kurihara	.....	D14/214

D563,387 S *	3/2008	Aquillano	.....	D14/217
D576,148 S *	9/2008	Lee et al.	.....	D14/188
D577,002 S *	9/2008	Kurihara	.....	D14/171
D579,025 S *	10/2008	Liu	.....	D14/496
D583,356 S *	12/2008	Schul et al.	.....	D14/168
D587,238 S *	2/2009	Xie	.....	D14/217

\* cited by examiner

*Primary Examiner*—Stella M Reid

*Assistant Examiner*—Keli L Hill

(74) *Attorney, Agent, or Firm*—Kalow & Springut, LLP; Scott D. Locke, Esq.

(57) **CLAIM**

The ornamental design for a docking station, as shown and described.

**DESCRIPTION**

FIG. 1 is a perspective view of a docking station embodying the new design.

FIG. 2 is a front view of the docking station.

FIG. 3 is a rear view of the docking station.

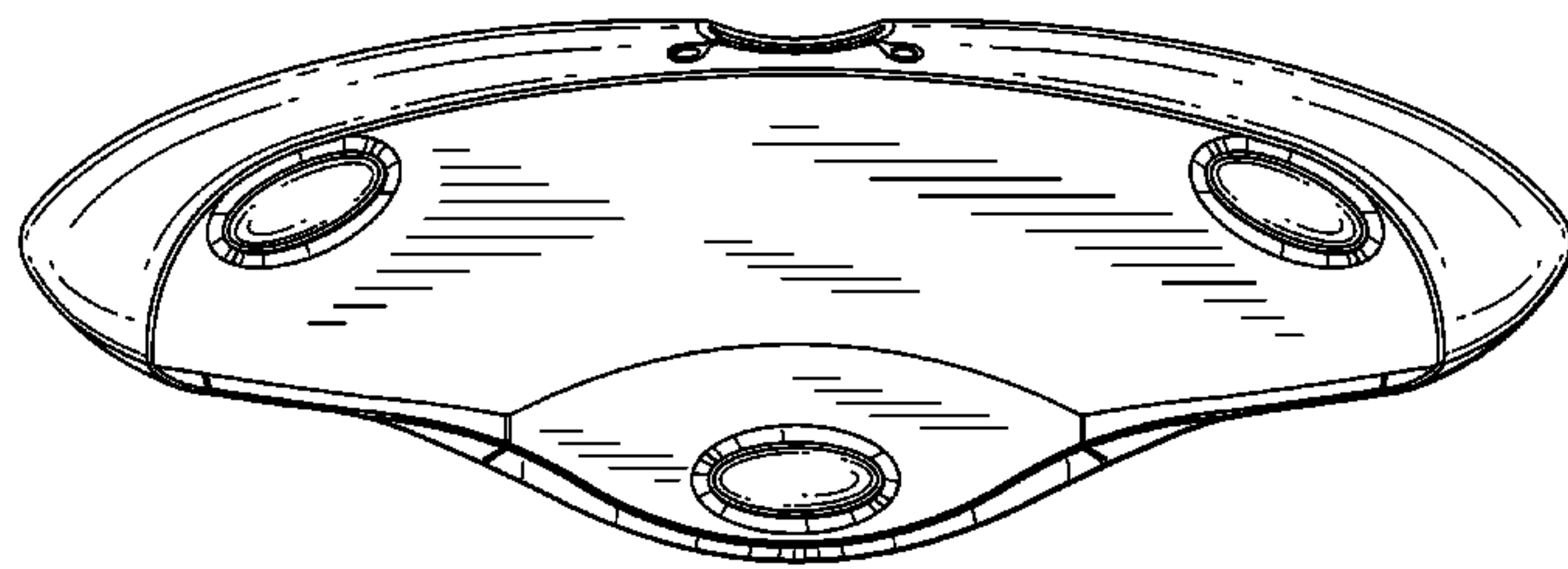
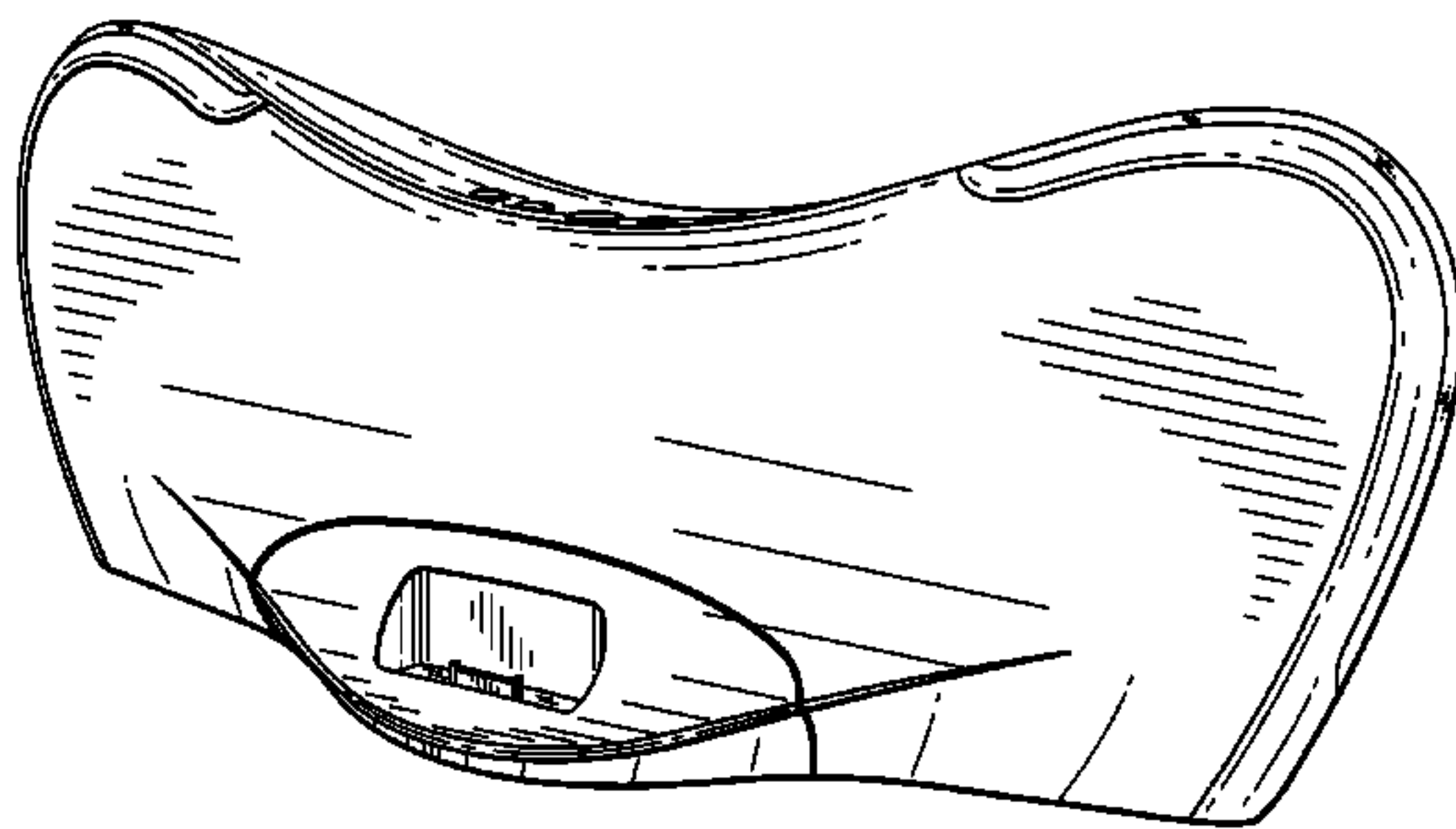
FIG. 4 is a top view of the docking station.

FIG. 5 is a bottom view of the docking station.

FIG. 6 is a right side view of the docking station; and,

FIG. 7 is a left side view of the docking station.

**1 Claim, 6 Drawing Sheets**



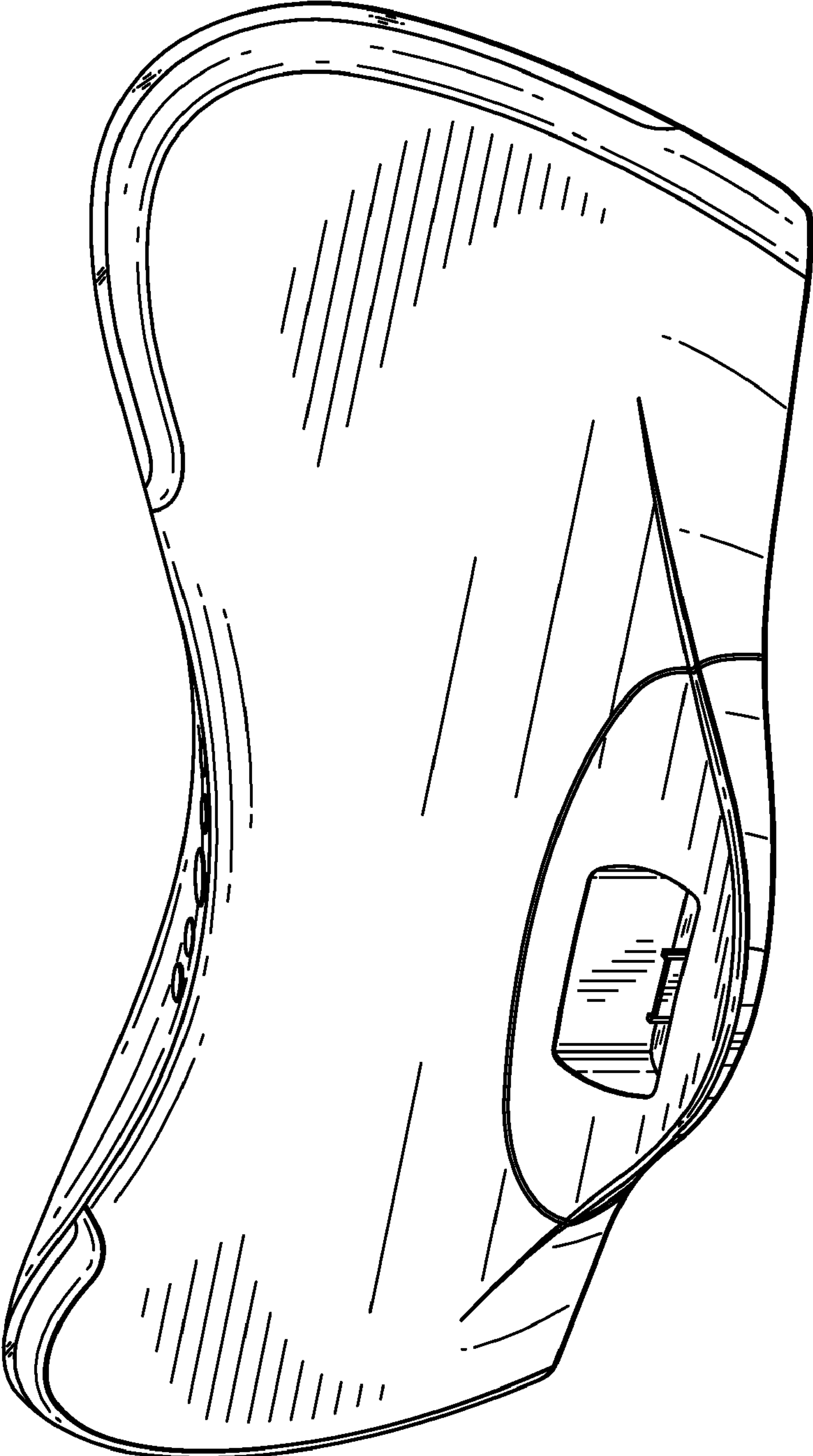


FIG. 1

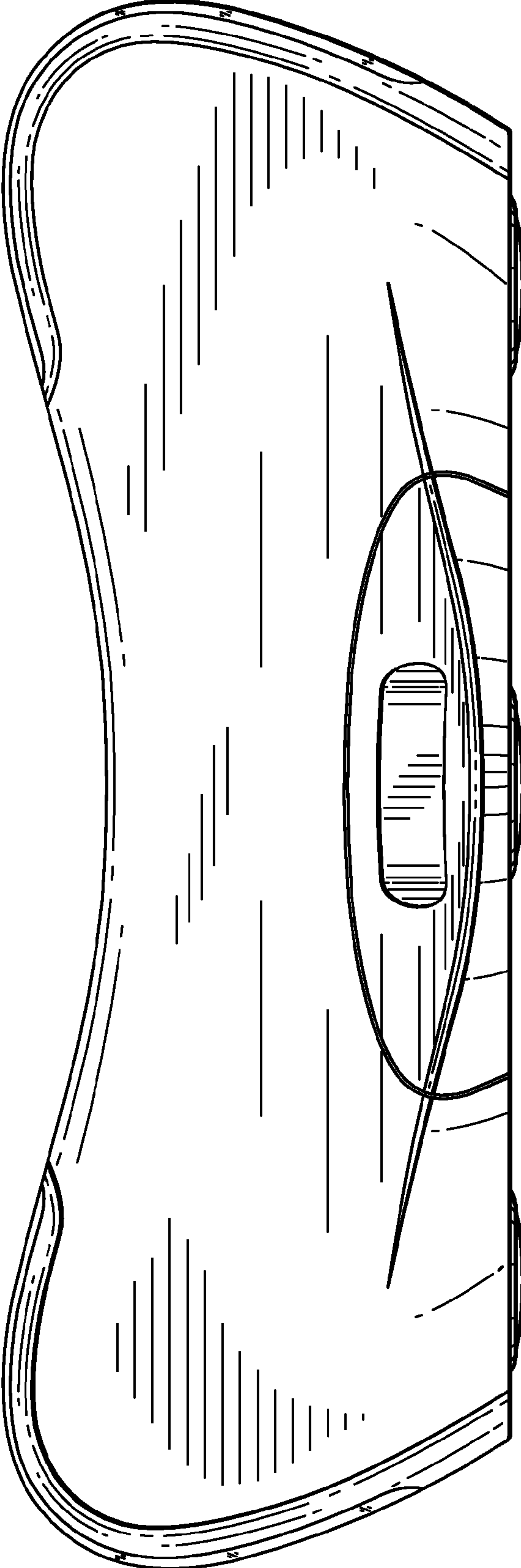


FIG. 2

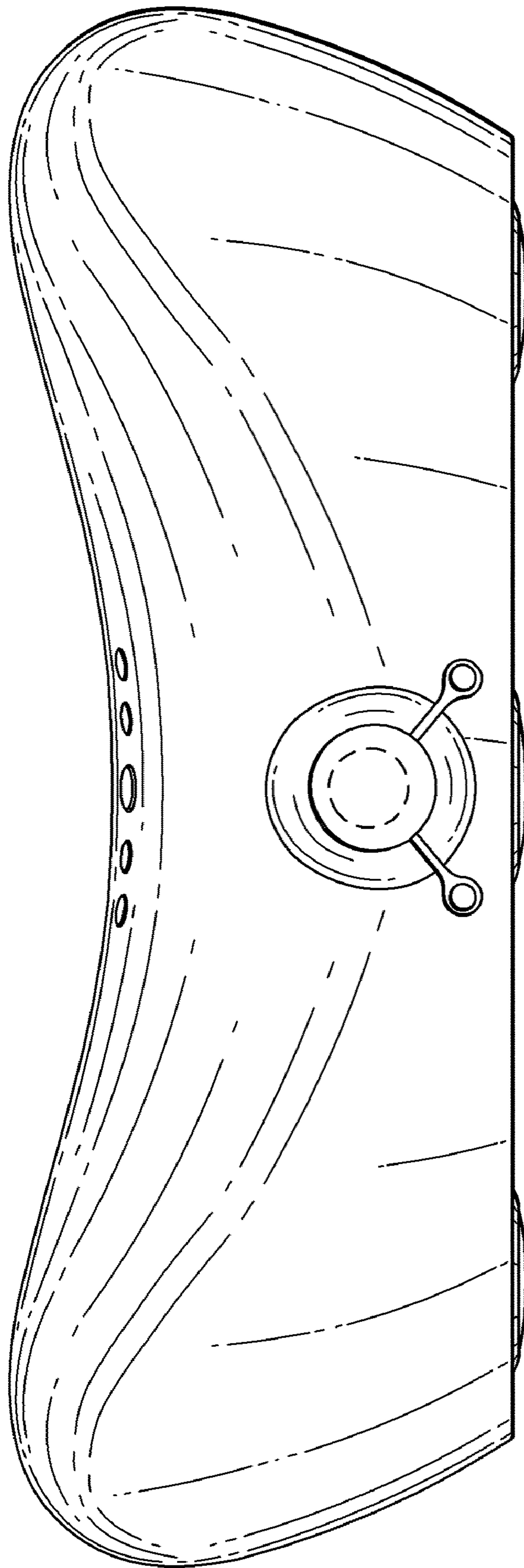


FIG. 3

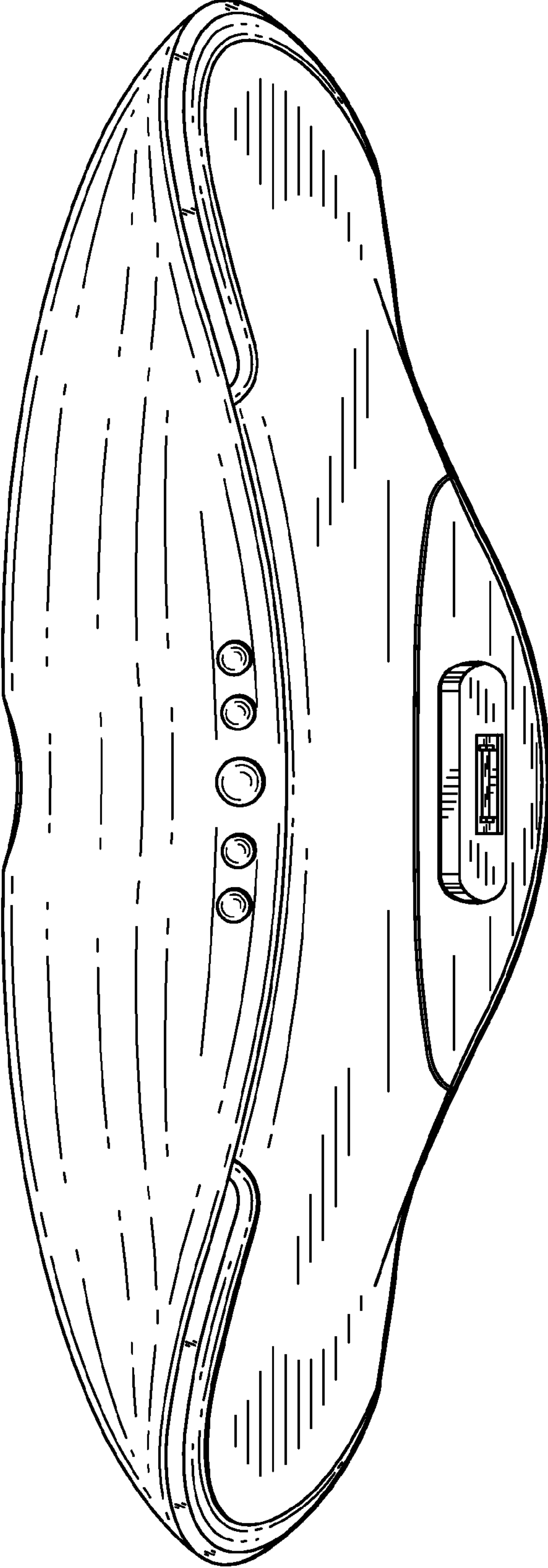


FIG. 4



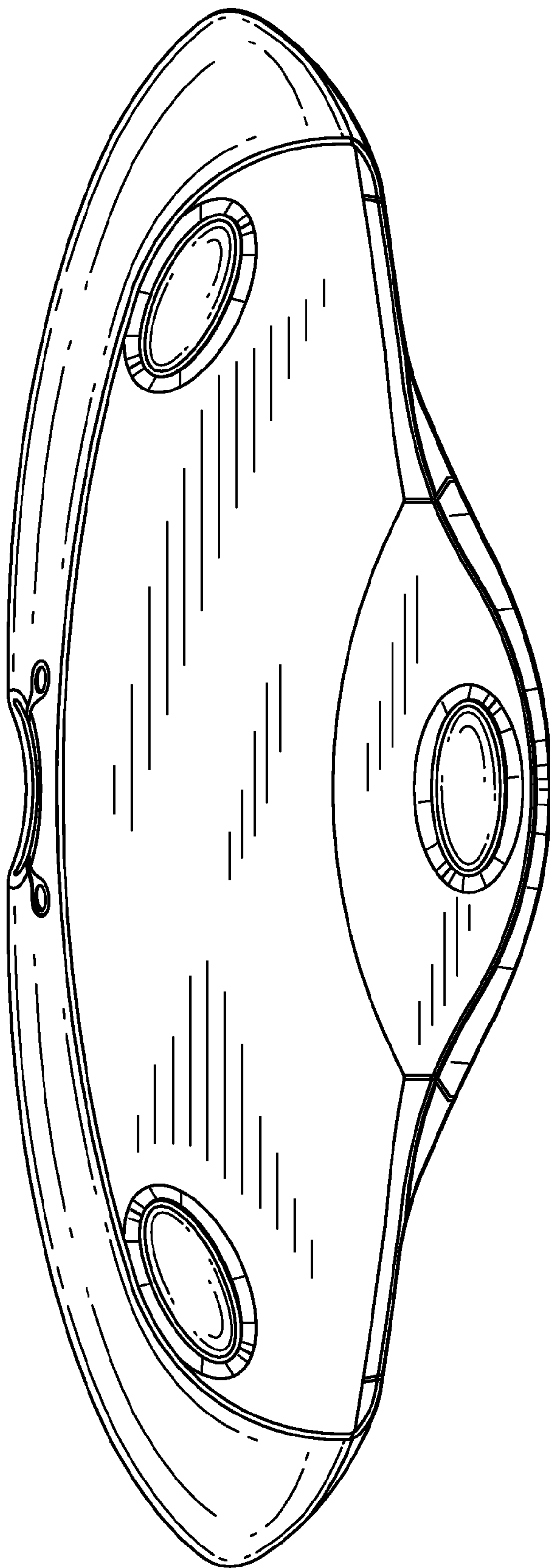


FIG. 5

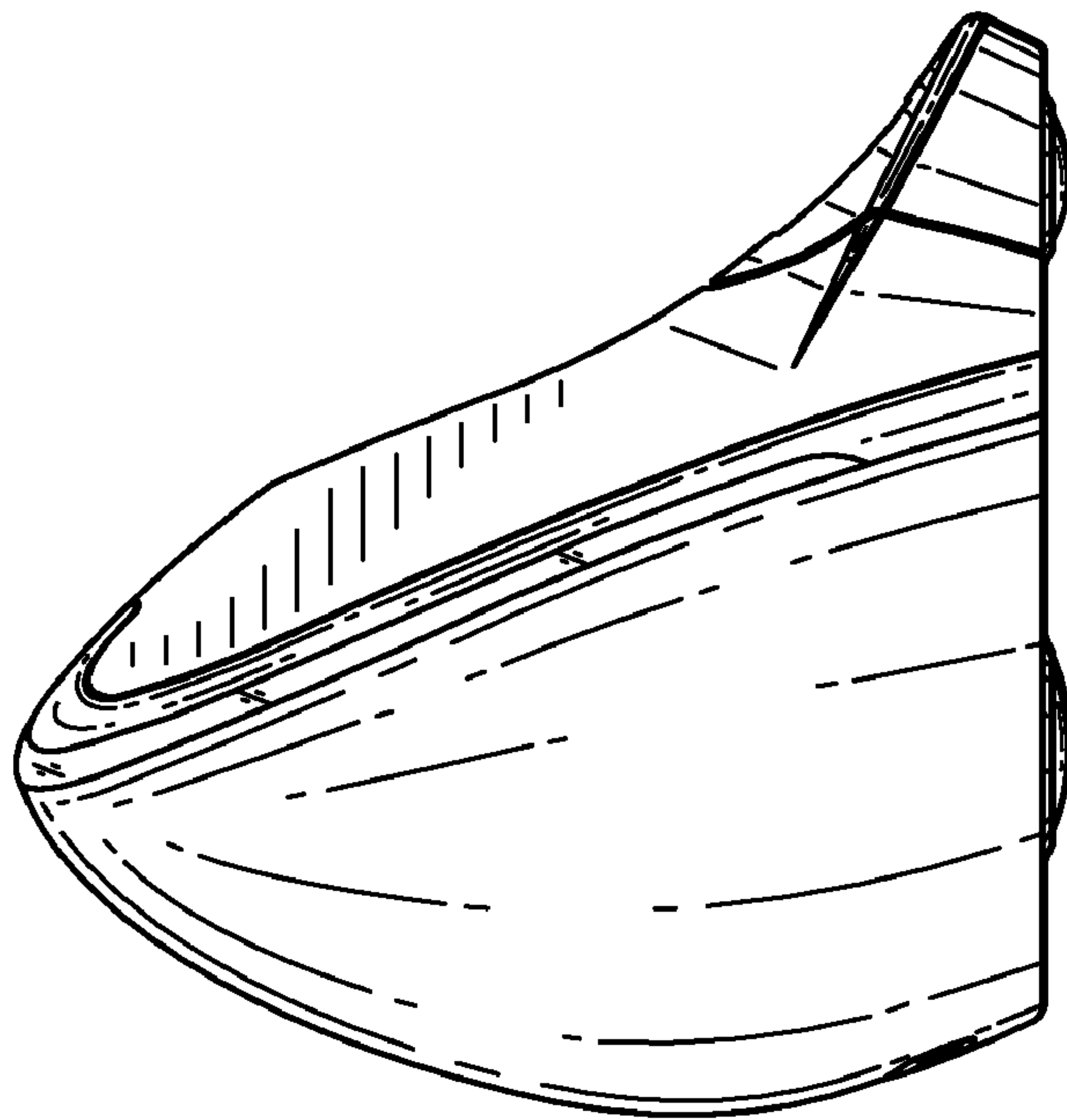


FIG. 7

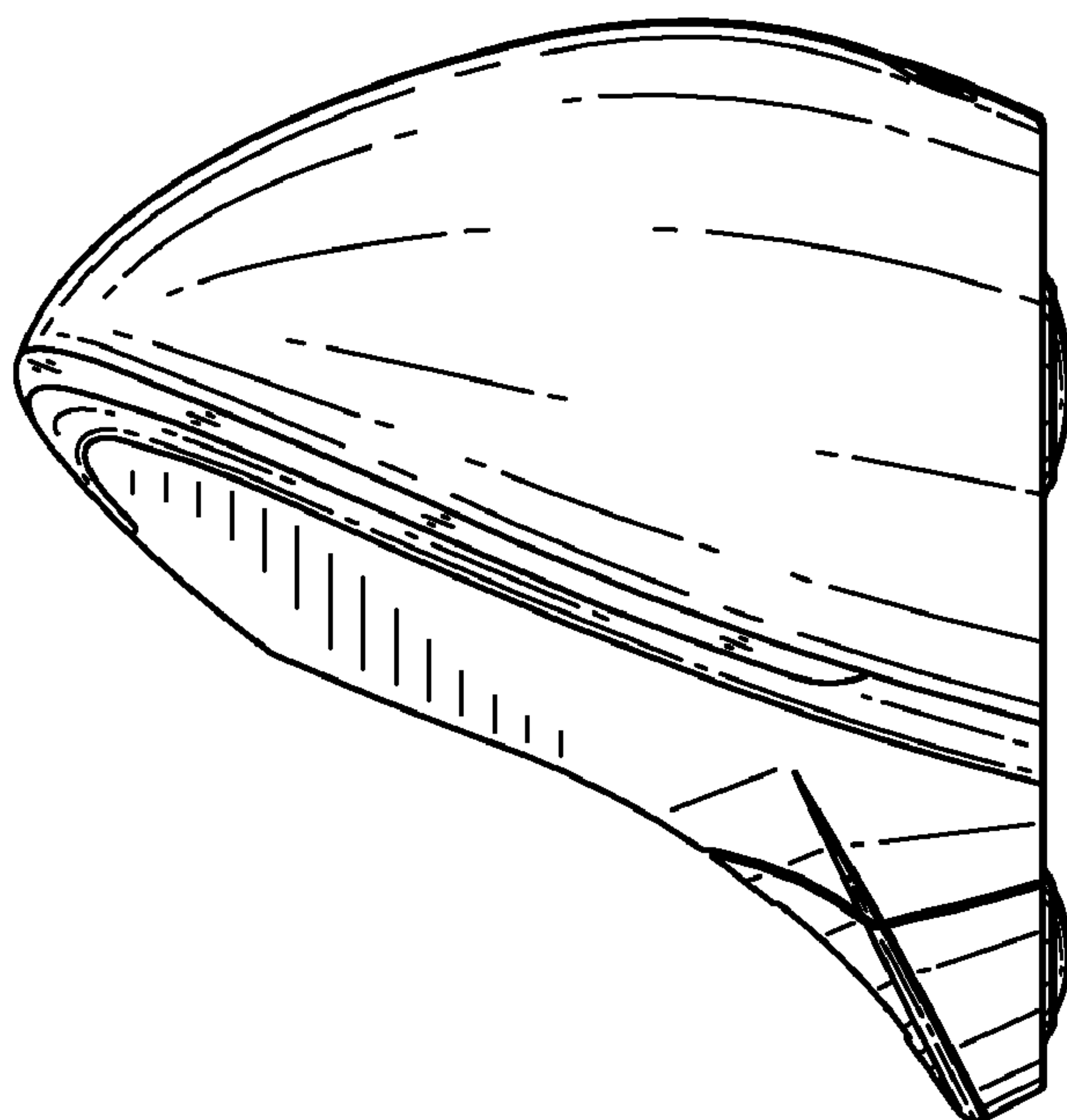


FIG. 6