



US00D604720S

(12) **United States Design Patent**
Liu

(10) **Patent No.:** **US D604,720 S**
(45) **Date of Patent:** **** Nov. 24, 2009**

(54) **SPEAKER**

(75) Inventor: **Mei-Chun Liu**, Taipei (TW)

(73) Assignee: **IPEVO Corp.**, Taipei (TW)

(**) Term: **14 Years**

(21) Appl. No.: **29/311,531**

(22) Filed: **Apr. 15, 2009**

(51) **LOC (9) Cl.** **14-01**

(52) **U.S. Cl.** **D14/216**

(58) **Field of Classification Search** D14/204,
D14/207, 209, 209.1, 210–216, 172; 181/143–144,
181/147–148, 150–153, 157, 198–199; 381/300–303,
381/306, 332–333, 336, 345, 361–364, 386–388
See application file for complete search history.

(56) **References Cited**

U.S. PATENT DOCUMENTS

- D470,474 S * 2/2003 Kobayashi D14/215
- D484,490 S * 12/2003 Lewis D14/216
- D497,900 S * 11/2004 Motoishi D14/215

- D539,270 S * 3/2007 Leung et al. D14/211
- D565,543 S * 4/2008 Smith D14/211

* cited by examiner

Primary Examiner—Nanda Bondade

(74) *Attorney, Agent, or Firm*—Bacon & Thomas, PLLC

(57) **CLAIM**

The ornamental design for a speaker, as shown and described.

DESCRIPTION

FIG. 1 is a perspective view of a speaker in accordance with my design;

FIG. 2 is a front view thereof;

FIG. 3 is a rear view thereof;

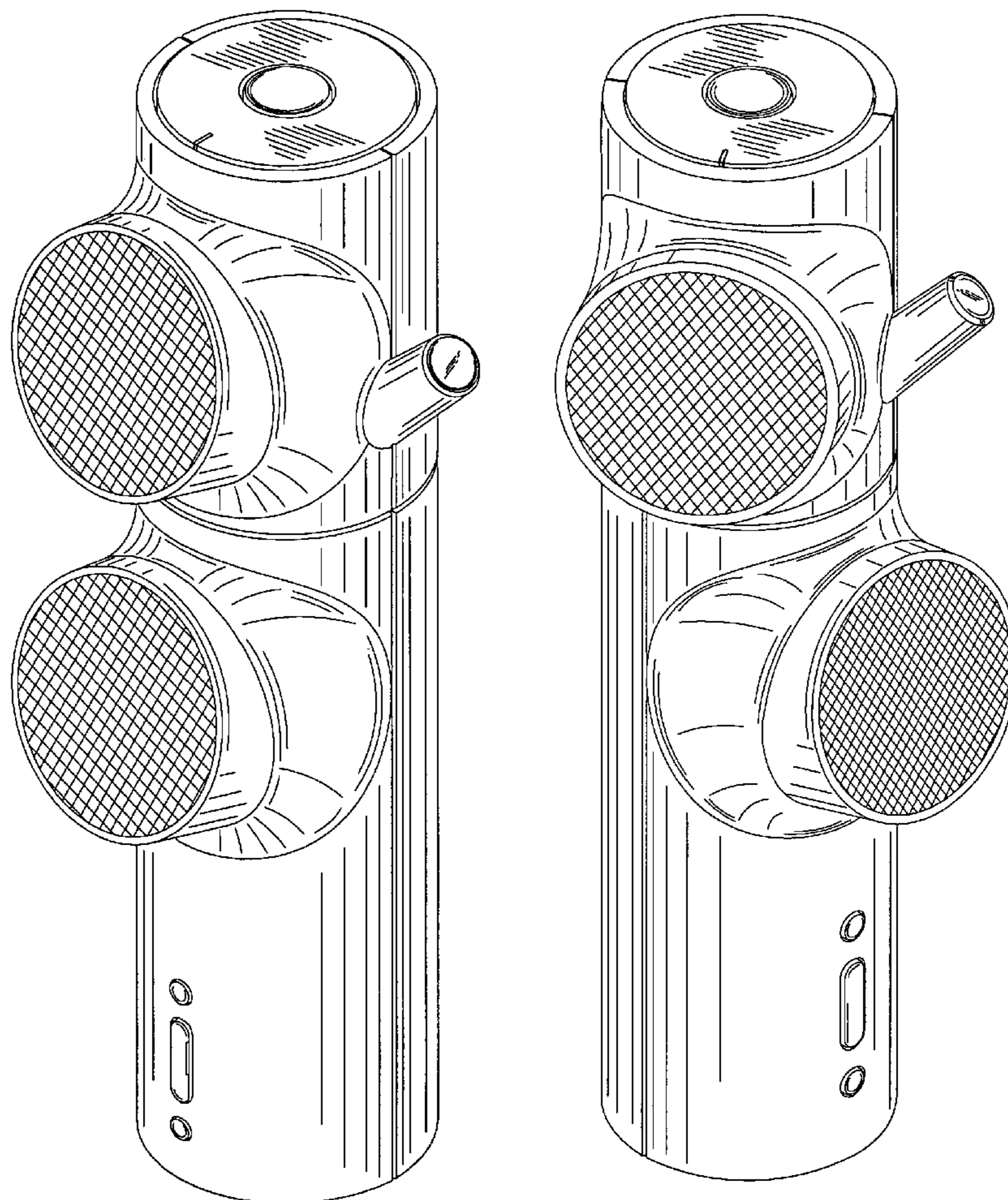
FIG. 4 is a left view thereof;

FIG. 5 is a right view thereof;

FIG. 6 is a top view thereof; and,

FIG. 7 is a front perspective view thereof shown in an alternative position.

1 Claim, 7 Drawing Sheets



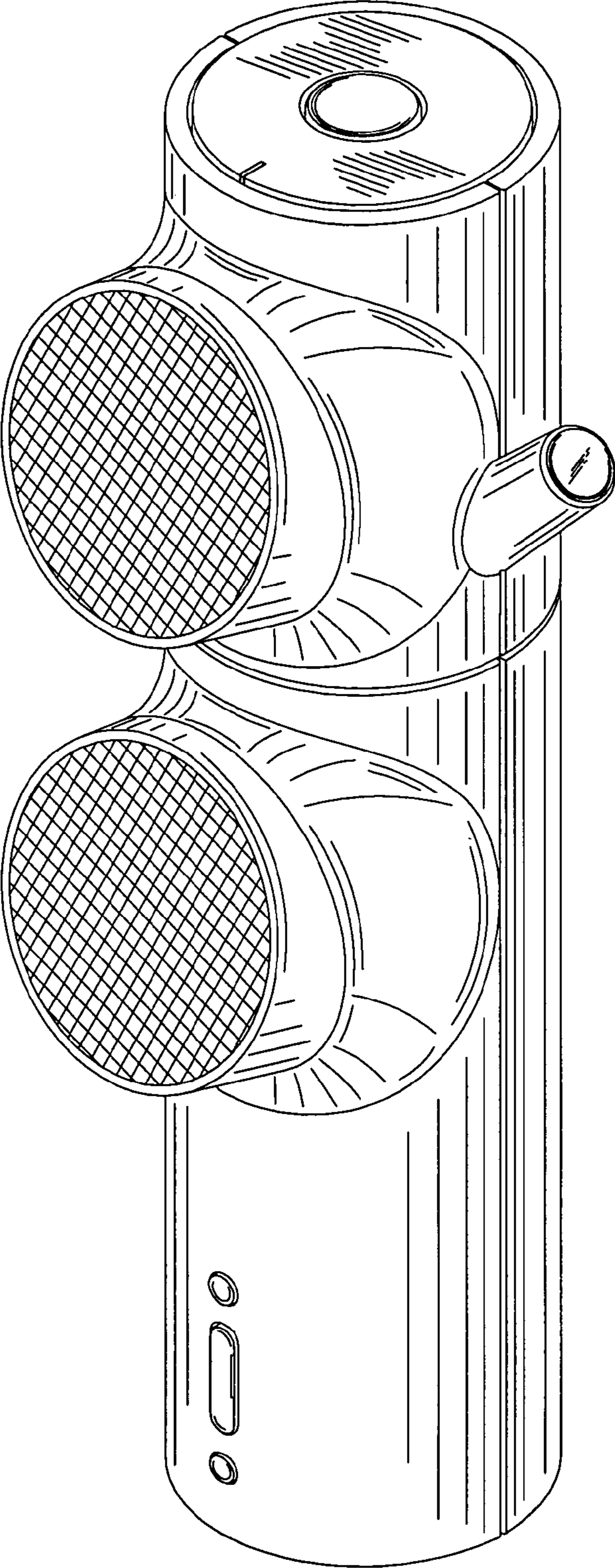


FIG. 1

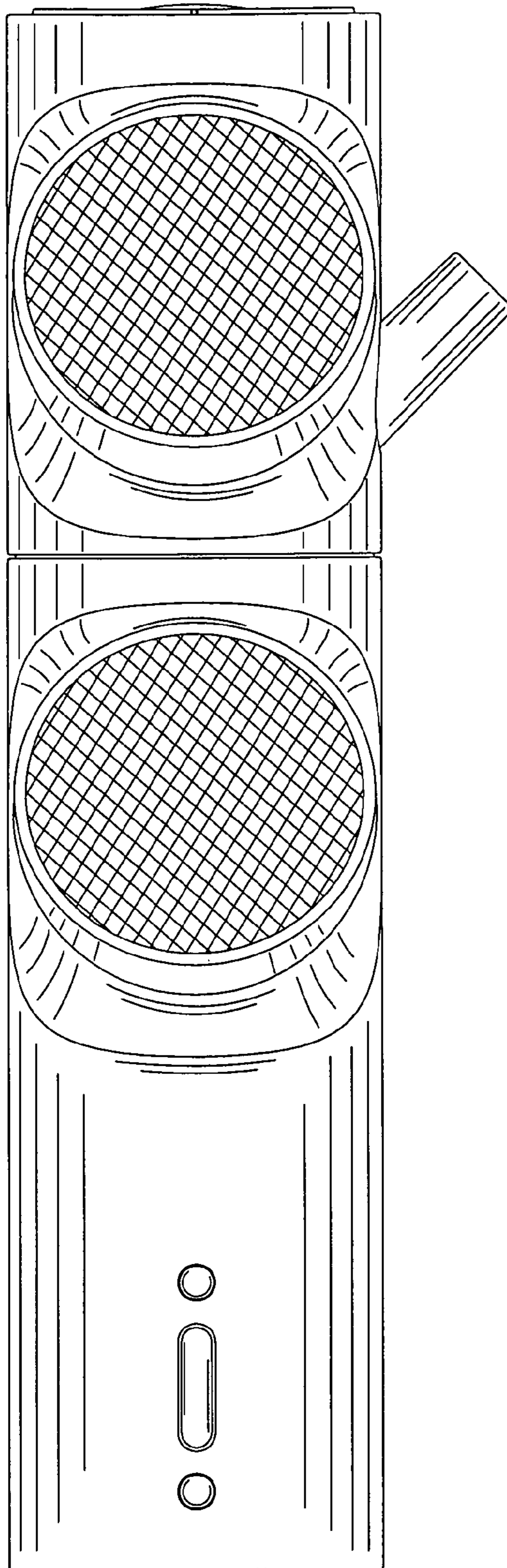


FIG. 2

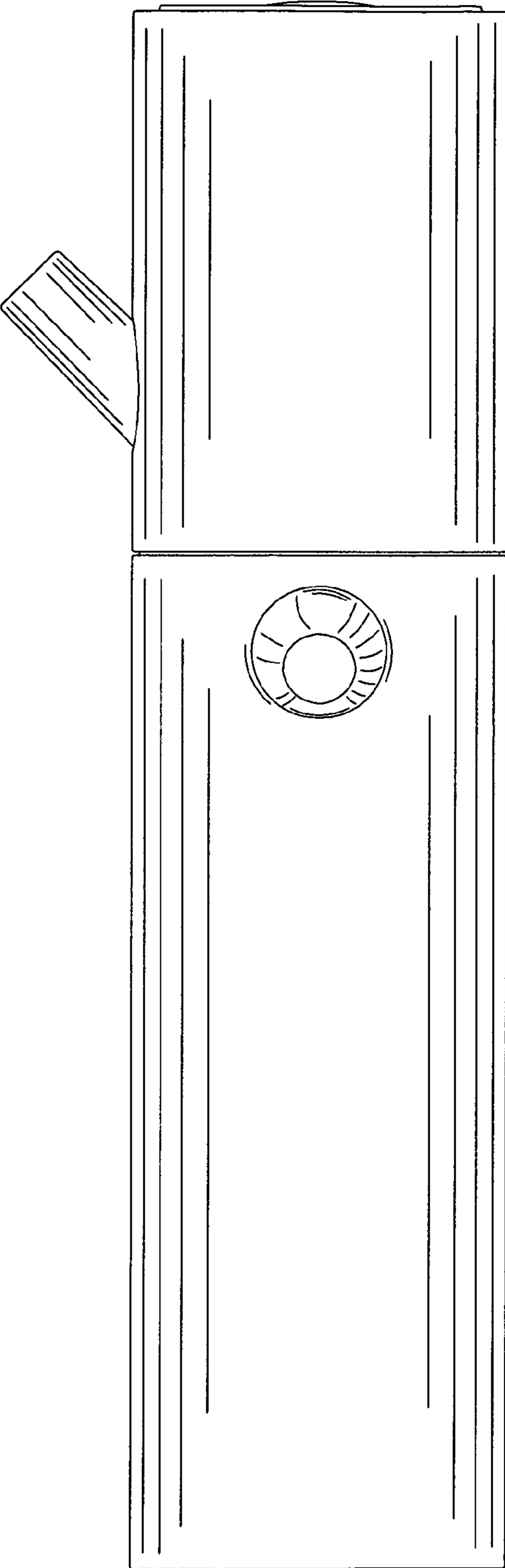


FIG. 3

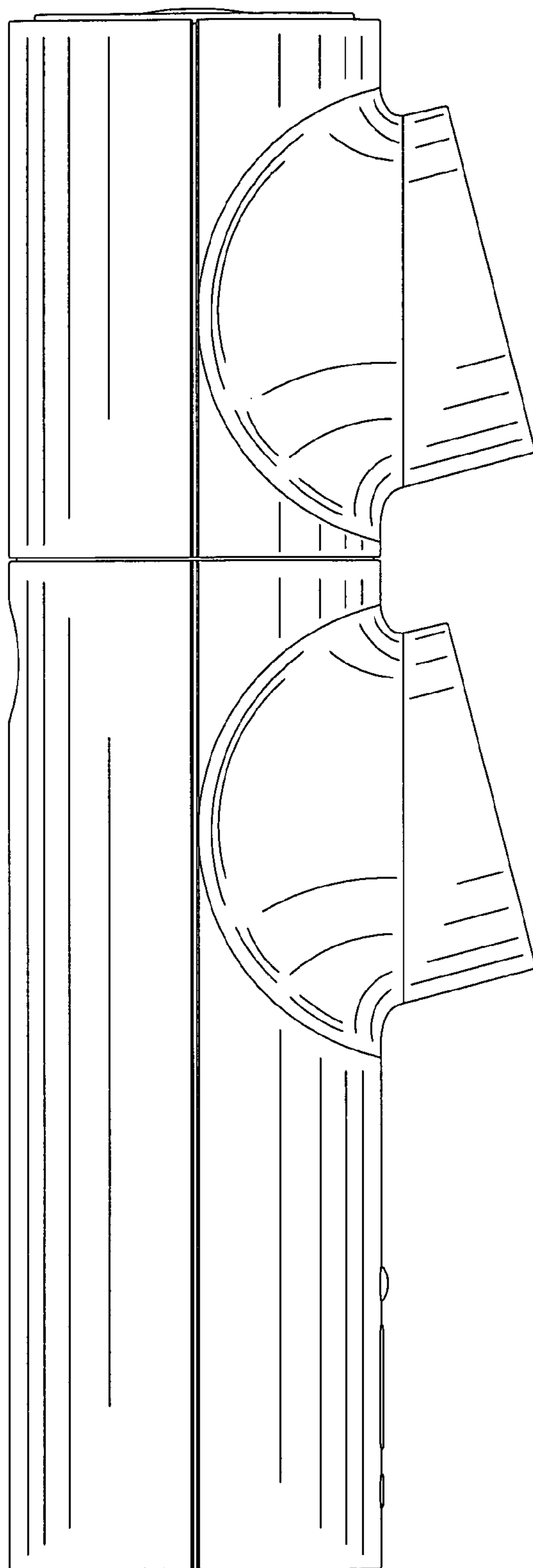


FIG. 4

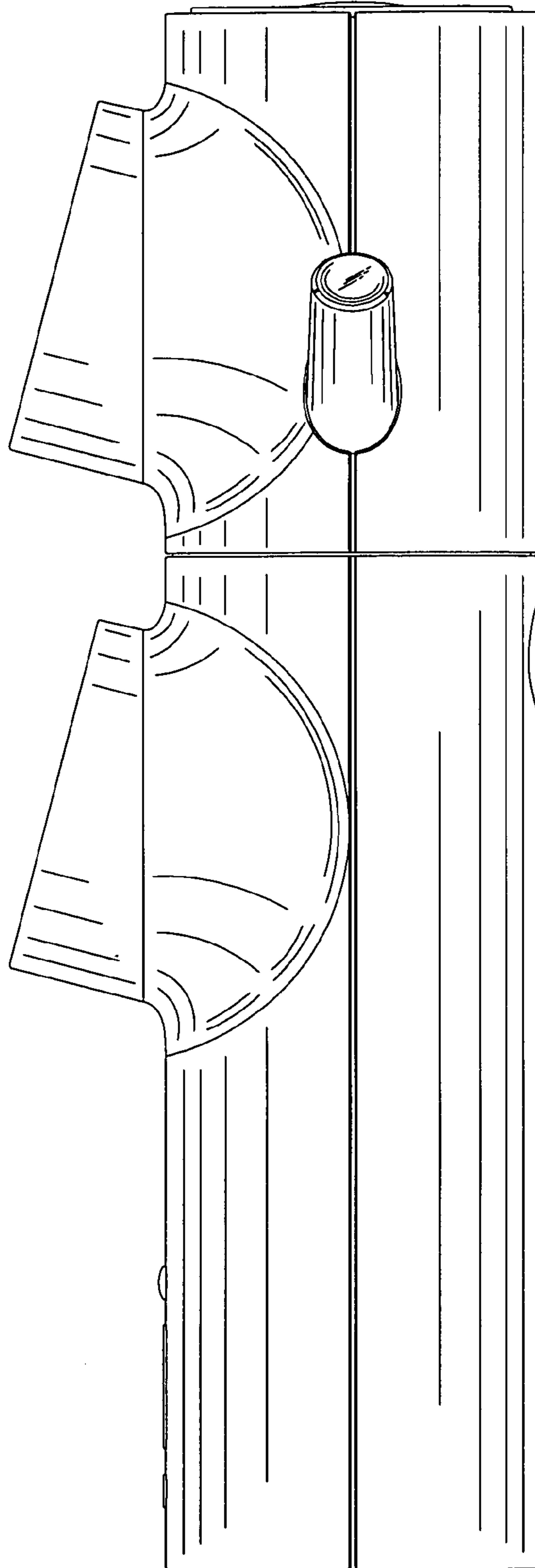


FIG. 5

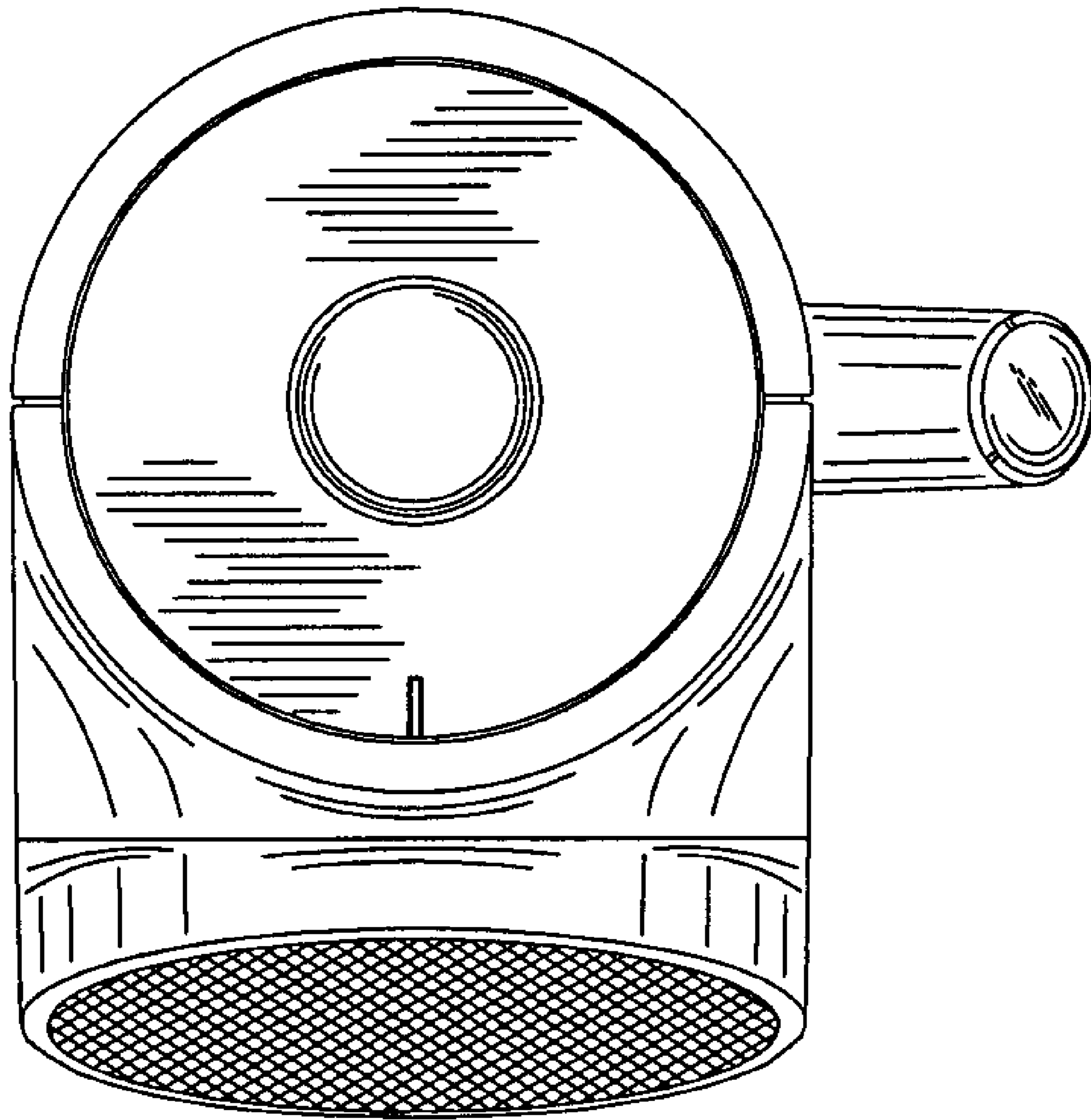


FIG. 6

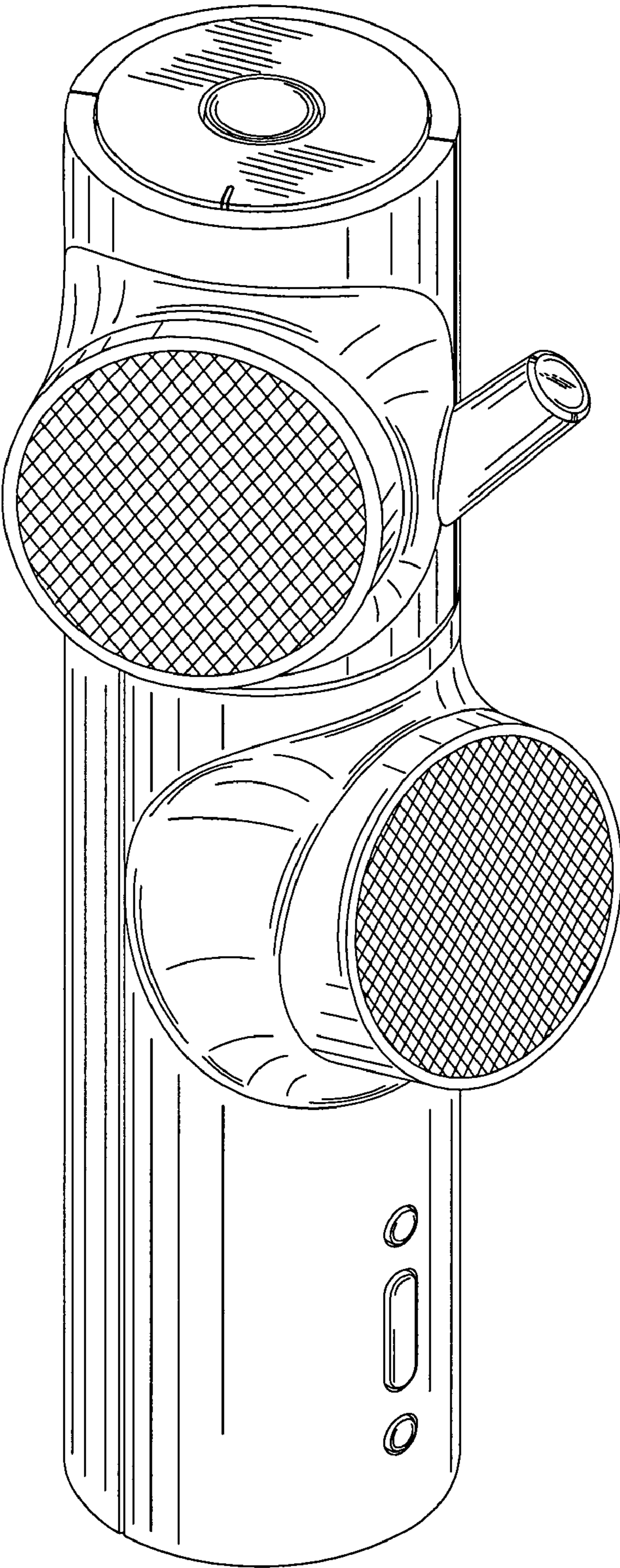


FIG. 7