



US00D604718S

(12) **United States Design Patent**
Paterson

(10) **Patent No.:** **US D604,718 S**

(45) **Date of Patent:** **** Nov. 24, 2009**

(54) **COMMUNICATIONS HEADSET**

(75) **Inventor:** **Nicholas Paterson**, Sheboygan Falls, WI (US)

(73) **Assignee:** **Plantronics, Inc.**, Santa Cruz, CA (US)

(**) **Term:** **14 Years**

(21) **Appl. No.:** **29/335,360**

(22) **Filed:** **Apr. 14, 2009**

(51) **LOC (9) Cl.** **14-01**

(52) **U.S. Cl.** **D14/206**

(58) **Field of Classification Search** D14/205,
D14/206, 223, 225; 181/129, 130; 379/430,
379/420.01, 420.02, 420.04; 381/380, 381;
455/90.2, 569.1, 575.1

See application file for complete search history.

(56) **References Cited**

U.S. PATENT DOCUMENTS

3,621,156	A *	11/1971	Kliwer	379/430
D337,589	S *	7/1993	Wada	D14/223
D357,921	S *	5/1995	Ming-Chin	D14/223
D369,349	S *	4/1996	Hayashi	D14/223
D371,368	S *	7/1996	Hayashi	D14/223
D382,874	S *	8/1997	Peschke et al.	D14/142
D482,348	S *	11/2003	Villaverde et al.	D14/223
6,819,762	B2 *	11/2004	Jones et al.	379/430
D512,049	S *	11/2005	Yang	D14/223
7,162,280	B2 *	1/2007	Fukuda	455/575.1

D554,109	S *	10/2007	Ledbetter et al.	D14/223
D554,627	S *	11/2007	Gondo	D14/223
D555,152	S *	11/2007	Wang	D14/223
D581,900	S *	12/2008	Caddes et al.	D14/206
D583,804	S *	12/2008	Mahler et al.	D14/223
D593,537	S *	6/2009	Arimoto	D14/205

* cited by examiner

Primary Examiner—Paula Greene

(74) *Attorney, Agent, or Firm*—Michael D. Rodriguez

(57) **CLAIM**

The ornamental design for a communications headset, as shown and described.

DESCRIPTION

FIG. 1 is a back-bottom-left side perspective view of a communications head-set showing our new design;

FIG. 2 is a front-top-right side perspective view thereof,

FIG. 3 is a top view thereof;

FIG. 4 is a bottom view thereof;

FIG. 5 is a left side view thereof;

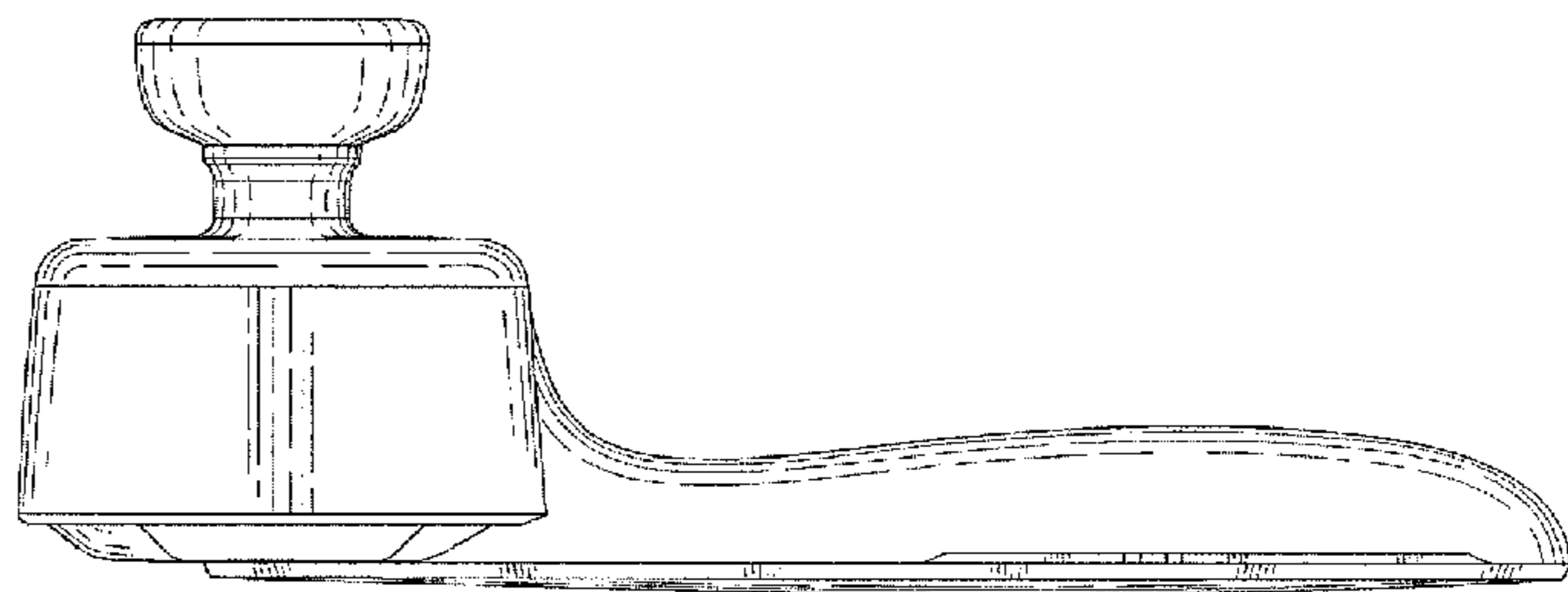
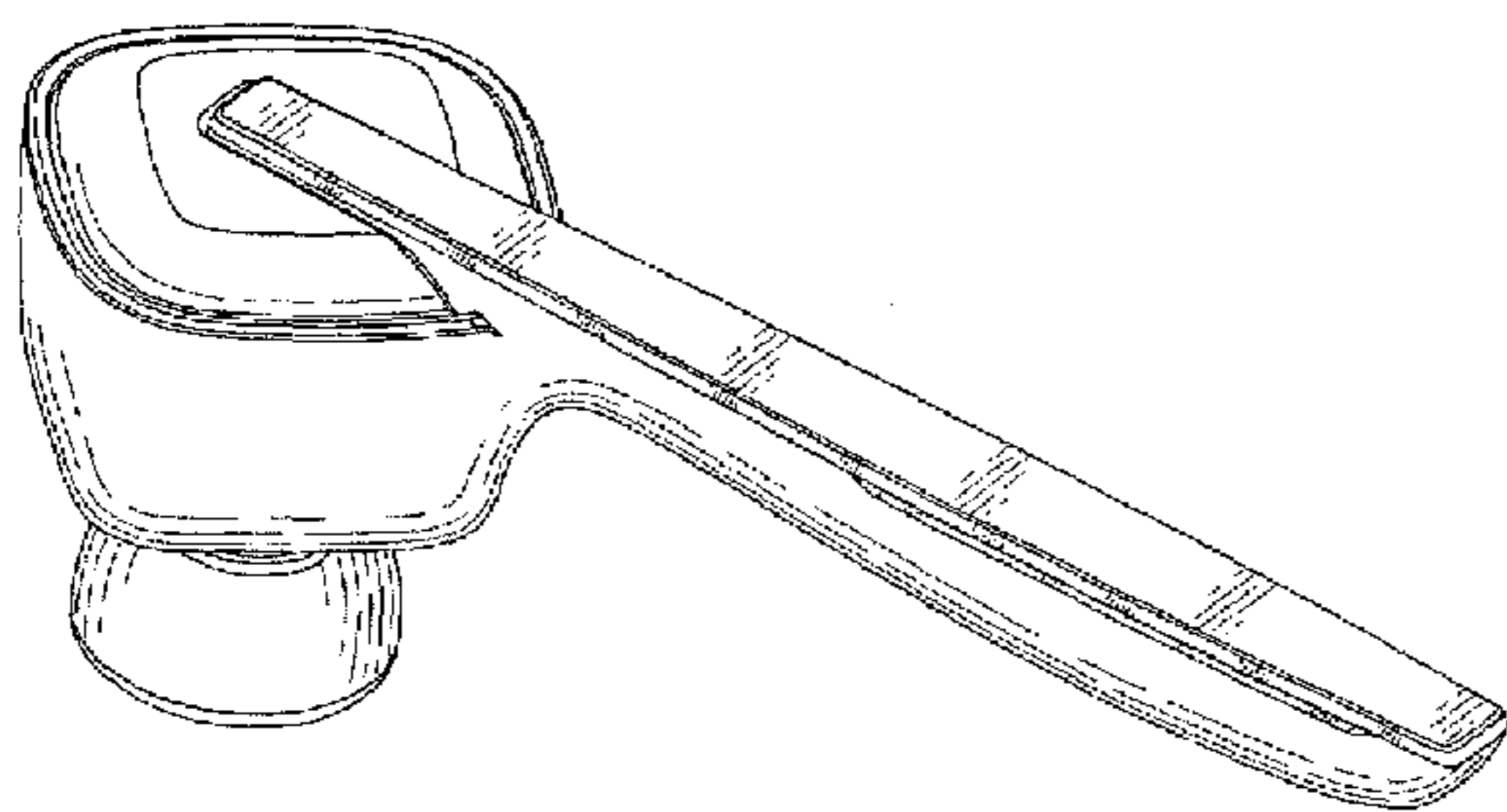
FIG. 6 is a right side view thereof;

FIG. 7 is a front view thereof; and,

FIG. 8 is a back view thereof.

The broken lines showing of the unclaimed environment forms no part of the claimed design.

1 Claim, 4 Drawing Sheets



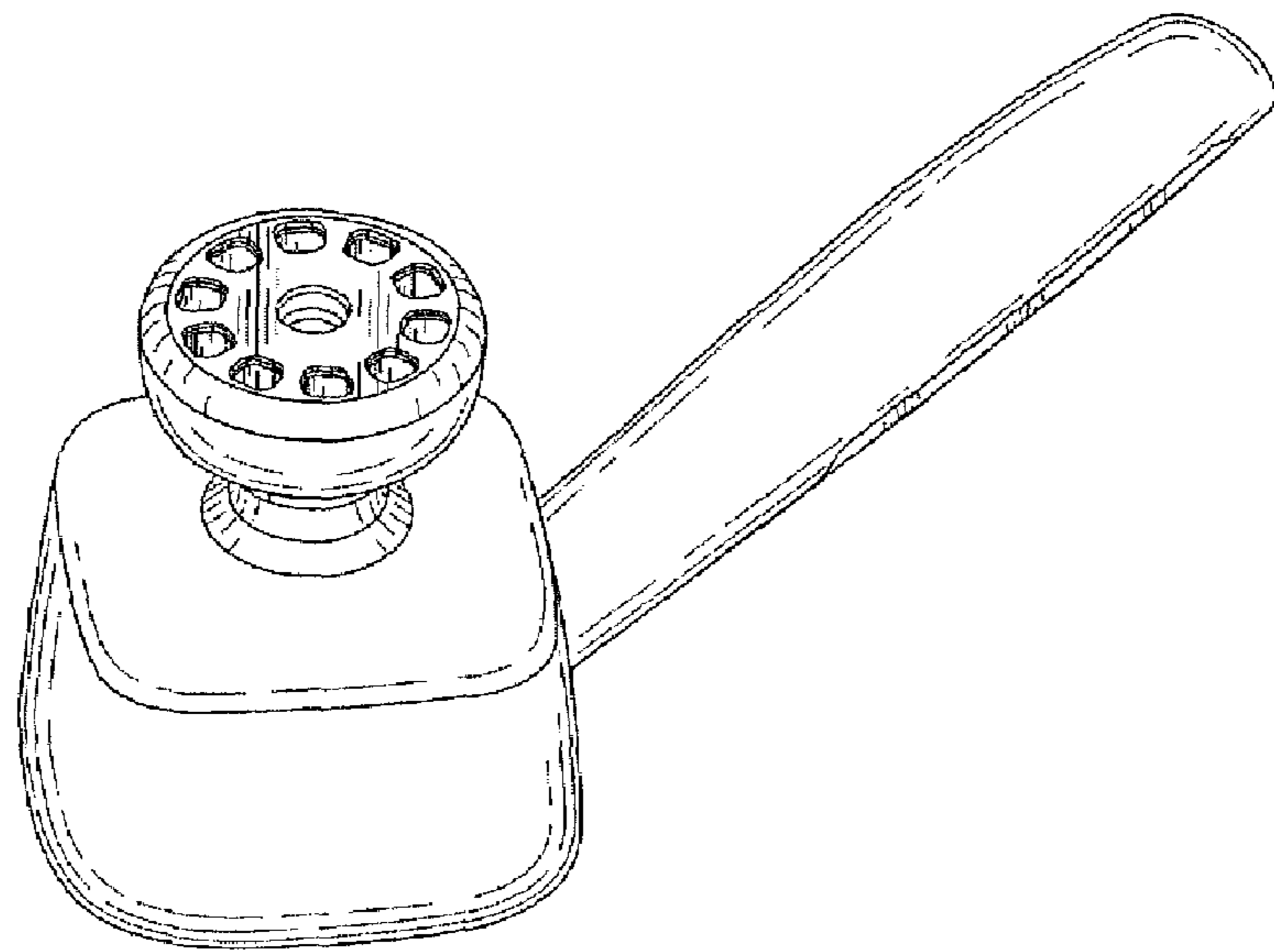


FIG. 1

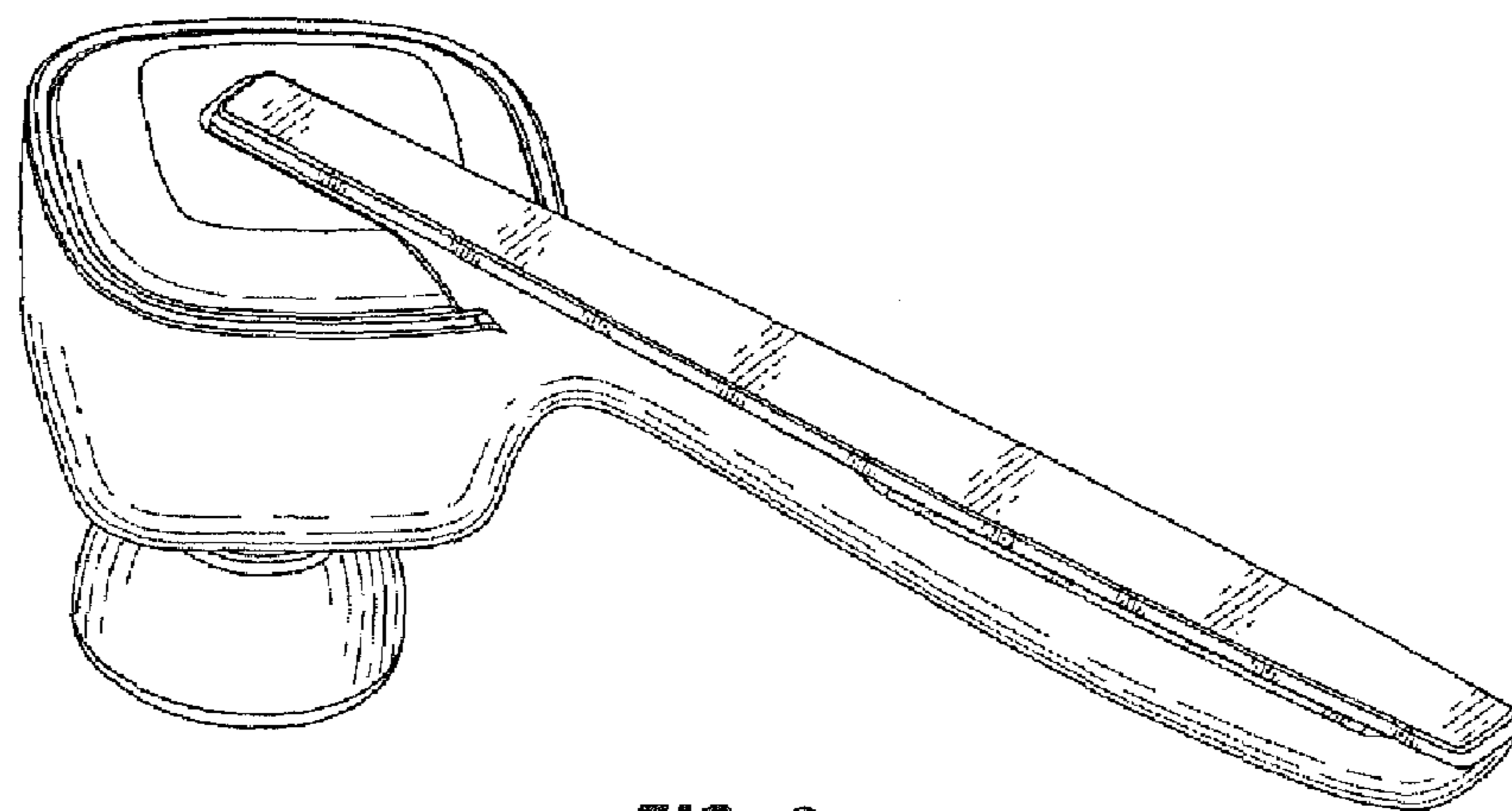


FIG. 2

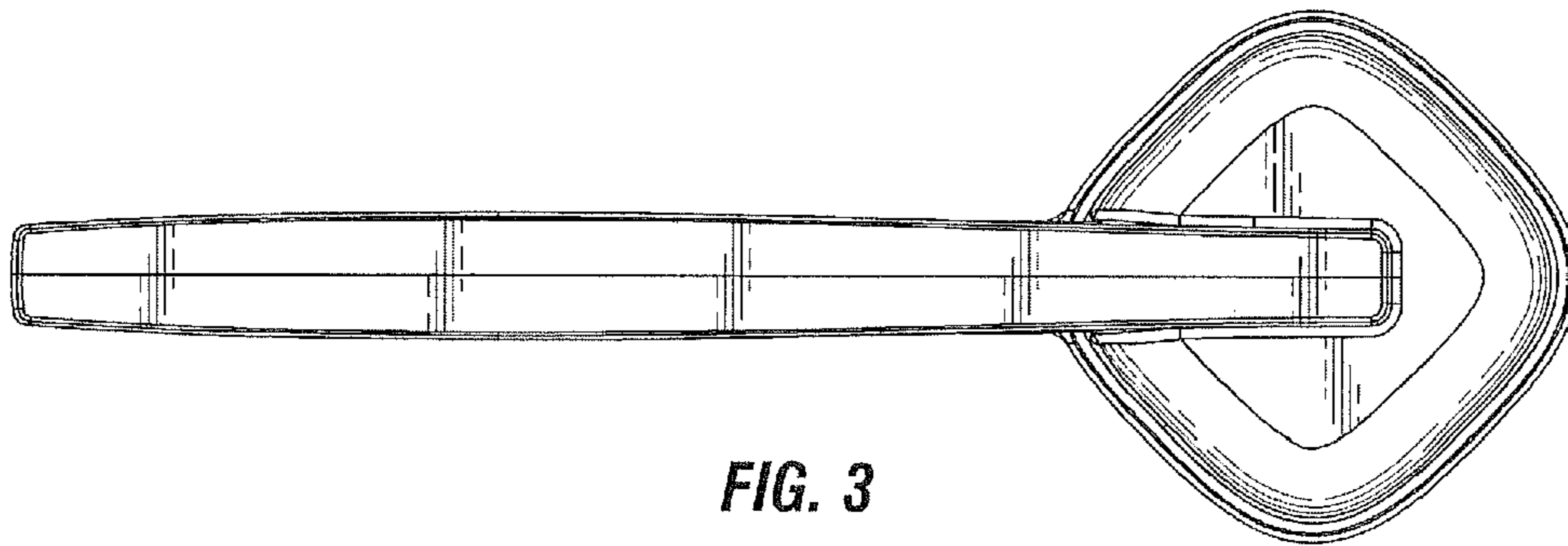


FIG. 3

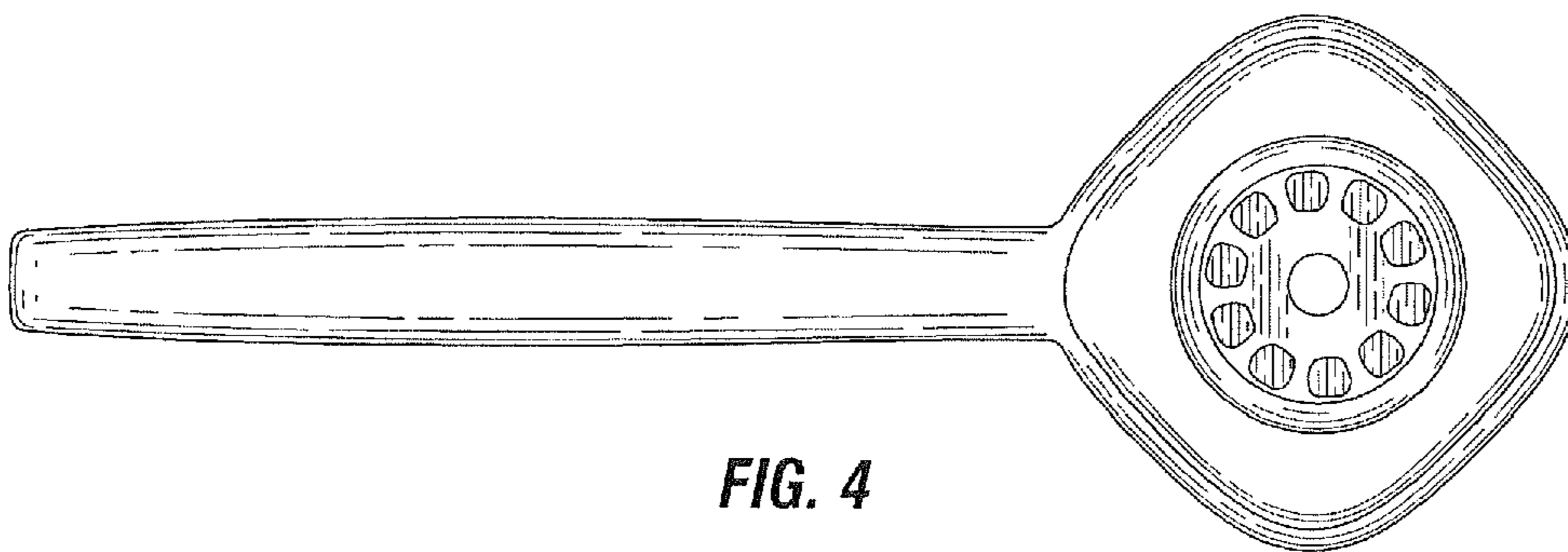


FIG. 4

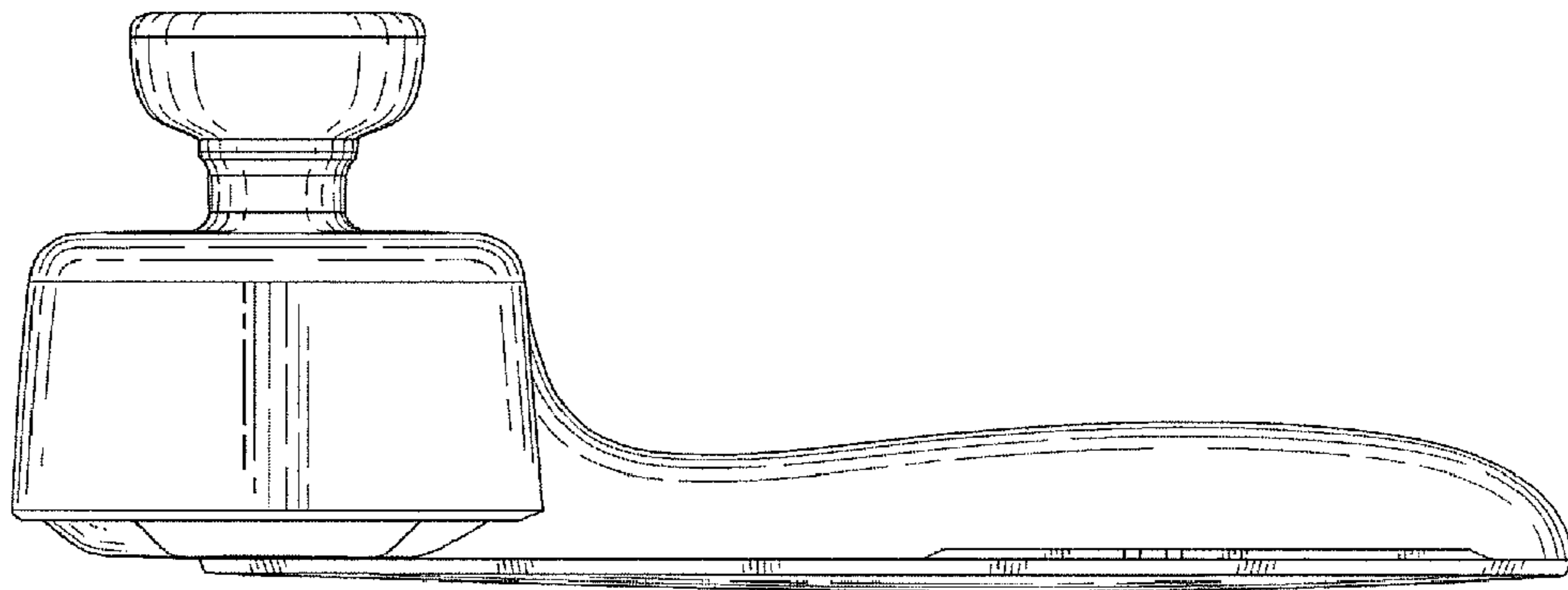


FIG. 5

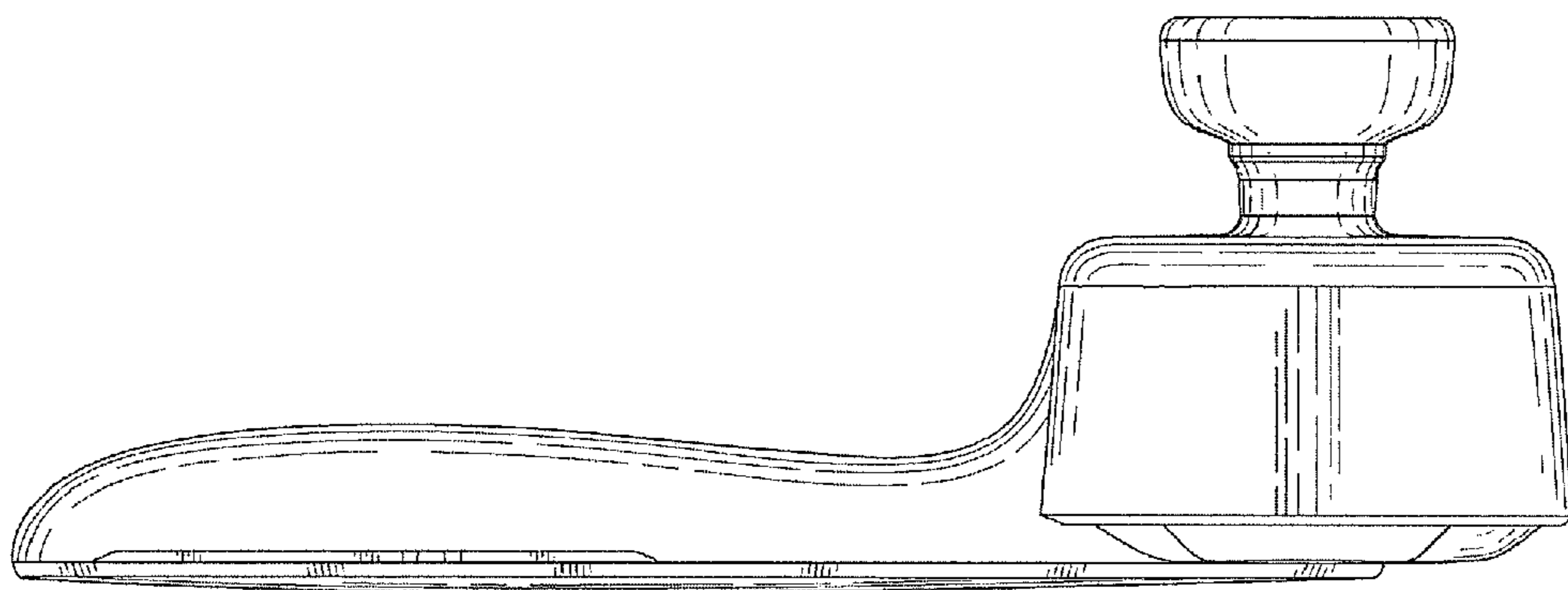


FIG. 6

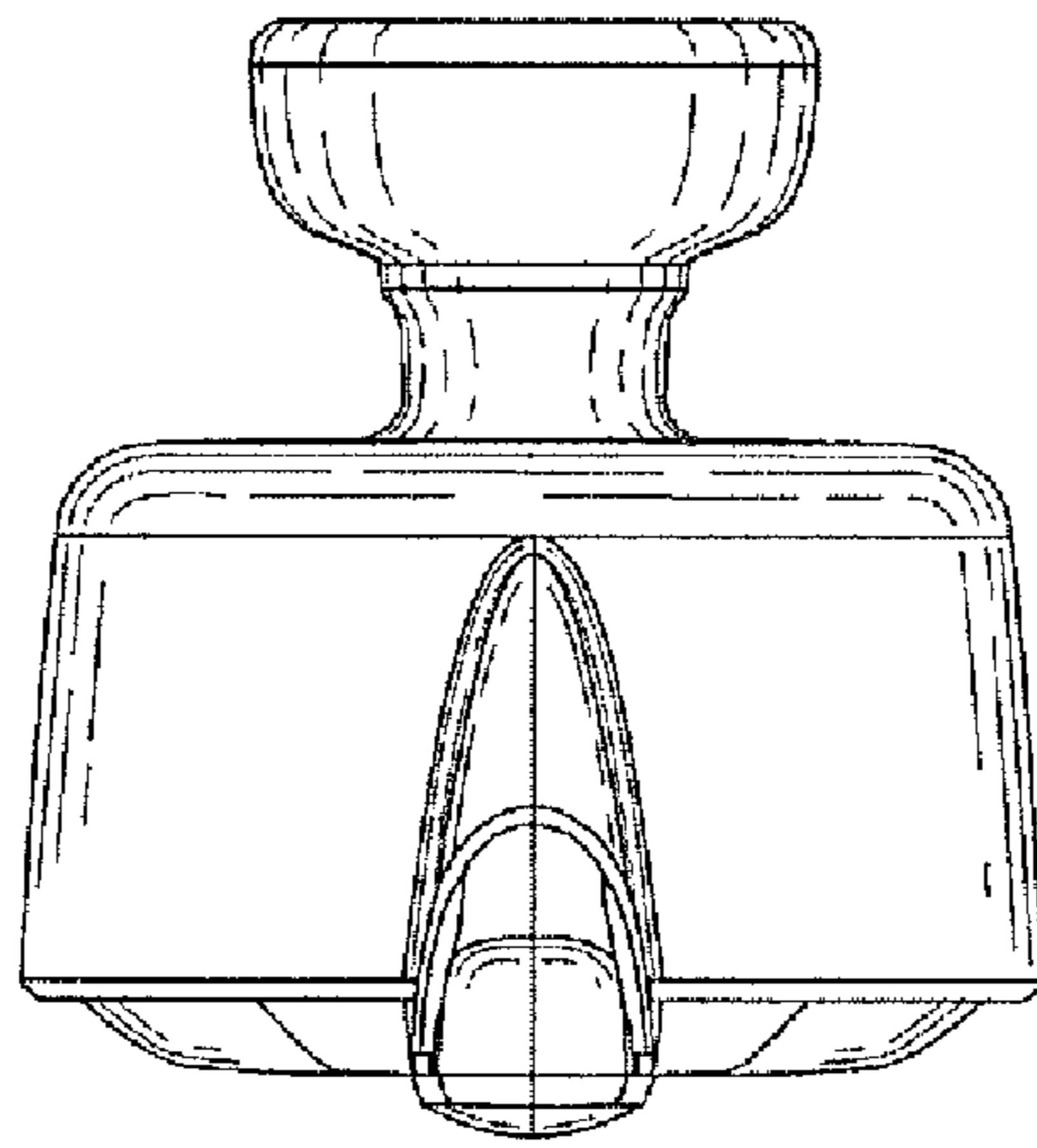


FIG. 7

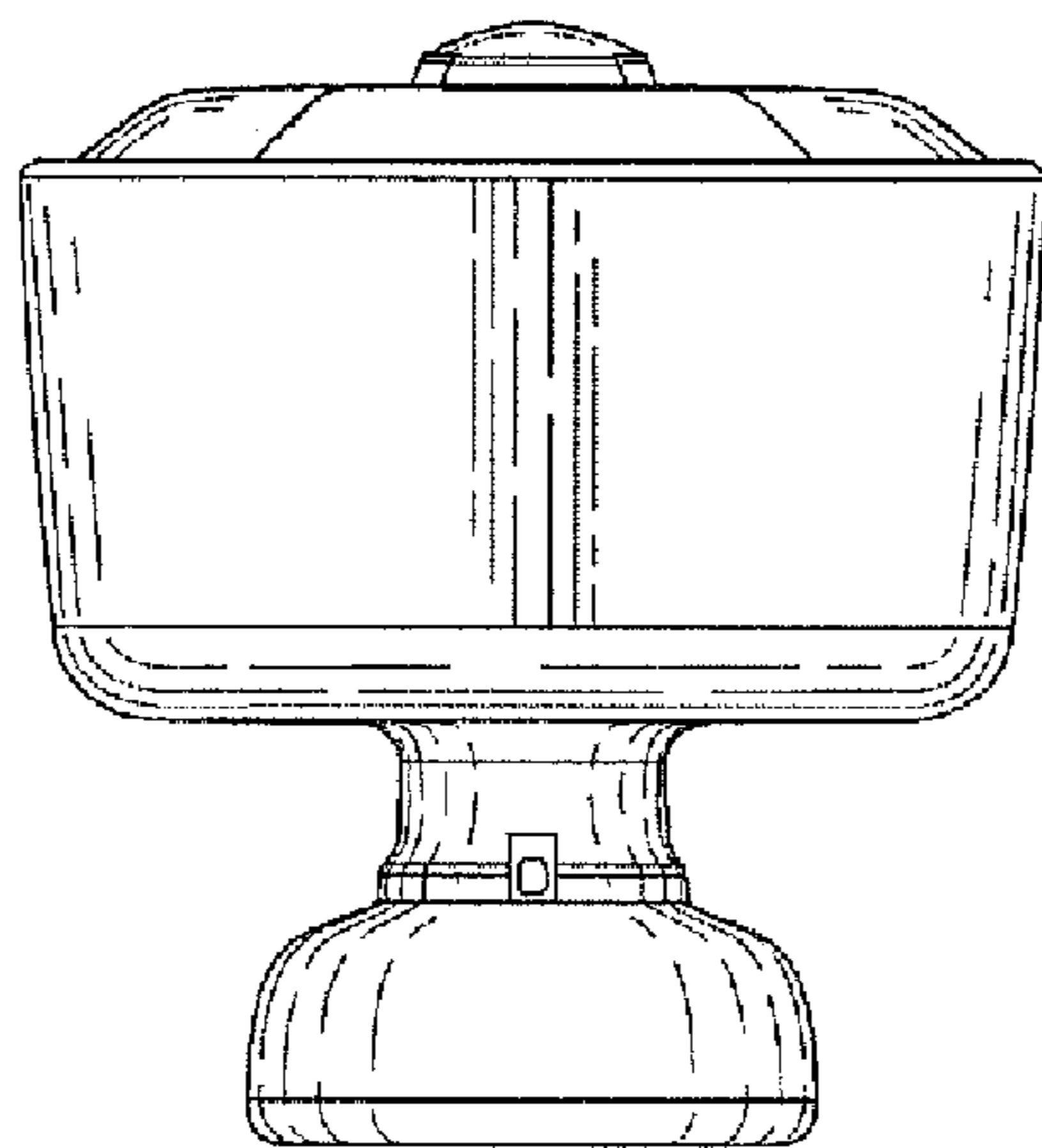


FIG. 8