



US00D604711S

(12) **United States Design Patent**  
**Lee et al.**

(10) **Patent No.:** **US D604,711 S**  
(45) **Date of Patent:** **\*\* Nov. 24, 2009**

(54) **CELLULAR PHONE**

(75) Inventors: **Soo-Jung Lee**, Seoul (KR); **Beom-Ku Han**, Seoul (KR); **Chang-Hwan Hwang**, Goyang-si (KR)

(73) Assignee: **Samsung Electronics Co., Ltd.**,  
Yeongtong-gu, Suwon-si, Gyeonggi-do (KR)

(\*\*) Term: **14 Years**

(21) Appl. No.: **29/333,459**

(22) Filed: **Mar. 10, 2009**

(51) **LOC (9) Cl.** ..... **14-03**

(52) **U.S. Cl.** ..... **D14/138 AA**

(58) **Field of Classification Search** ..... D14/138 AA,  
D14/138 R, 147, 341, 346, 137; 455/575.1,  
455/90.3, 556.1; 379/433.01, 433.04

See application file for complete search history.

(56) **References Cited**

**U.S. PATENT DOCUMENTS**

- D515,541 S \* 2/2006 Jensfelt ..... D14/138 AA
- D525,229 S \* 7/2006 Friesen et al. .... D14/138 AA
- D532,767 S \* 11/2006 Yoshino et al. .... D14/138 AA
- D536,681 S \* 2/2007 Surtouc ..... D14/130
- D540,773 S \* 4/2007 Meng et al. .... D14/138 AA
- D544,851 S \* 6/2007 Burns ..... D14/138 AA
- D546,314 S \* 7/2007 Im ..... D14/138 AA
- D549,208 S \* 8/2007 Huang et al. .... D14/138 AA
- D553,602 S \* 10/2007 Yang et al. .... D14/138 AA
- D560,631 S \* 1/2008 Sheu et al. .... D14/138 AA
- D563,374 S \* 3/2008 Jung et al. .... D14/138 AA
- D563,379 S \* 3/2008 Mai et al. .... D14/138 AA
- D573,130 S \* 7/2008 Kim et al. .... D14/138 AA
- D573,972 S \* 7/2008 Lee et al. .... D14/138 AA
- D574,802 S \* 8/2008 Eroma et al. .... D14/138 AA
- D576,135 S \* 9/2008 Moss ..... D14/138 AA
- D576,591 S \* 9/2008 Aarras ..... D14/138 AA
- D576,991 S \* 9/2008 Kim et al. .... D14/138 AA
- D584,269 S \* 1/2009 Baik et al. .... D14/138 AA

- D584,271 S \* 1/2009 Ko et al. .... D14/138 AA
- D584,279 S \* 1/2009 Yoshie et al. .... D14/138 AA
- D585,039 S \* 1/2009 Wang et al. .... D14/138 AA
- D587,669 S \* 3/2009 Aarras ..... D14/138 AA
- D588,563 S \* 3/2009 Oh et al. .... D14/138 R
- D589,919 S \* 4/2009 Bower ..... D14/138 AA

**OTHER PUBLICATIONS**

Nokia 6234 telephone, announced 4<sup>th</sup> quarter 2005, [online], [site visited Sep. 16, 2009]. Available from Internet ,<URL: <http://www.gsmarena.com>>.\*

LG KM330 telephone, announced Feb. 2009, [online], [site visited Sep. 16, 2009]. Available from Internet ,<URL: <http://www.gsmarena.com>>.\*

Vodafone 725 telephone, announced May 2008, [online], [site visited Sep. 16, 2009]. Available from Internet ,<URL: <http://www.gsmarena.com>>.\*

\* cited by examiner

*Primary Examiner*—Jeffrey D Asch

(74) *Attorney, Agent, or Firm*—Lexyoume IP Group, LLC.

(57) **CLAIM**

The ornamental design for a cellular phone, as shown and described.

**DESCRIPTION**

FIG. 1 is a perspective view of a cellular phone showing our new design;

FIG. 2 is a front elevational view thereof;

FIG. 3 is a rear elevational view thereof;

FIG. 4 is a left side elevational view thereof;

FIG. 5 is a right side elevational view thereof;

FIG. 6 is a top plan view thereof; and,

FIG. 7 is a bottom plan view thereof.

The broken lines shown throughout the views, which are immediately adjacent to the shaded areas and define unshaded regions, represent the bounds of the claimed design; the broken lines form no part of the claimed design.

**1 Claim, 7 Drawing Sheets**

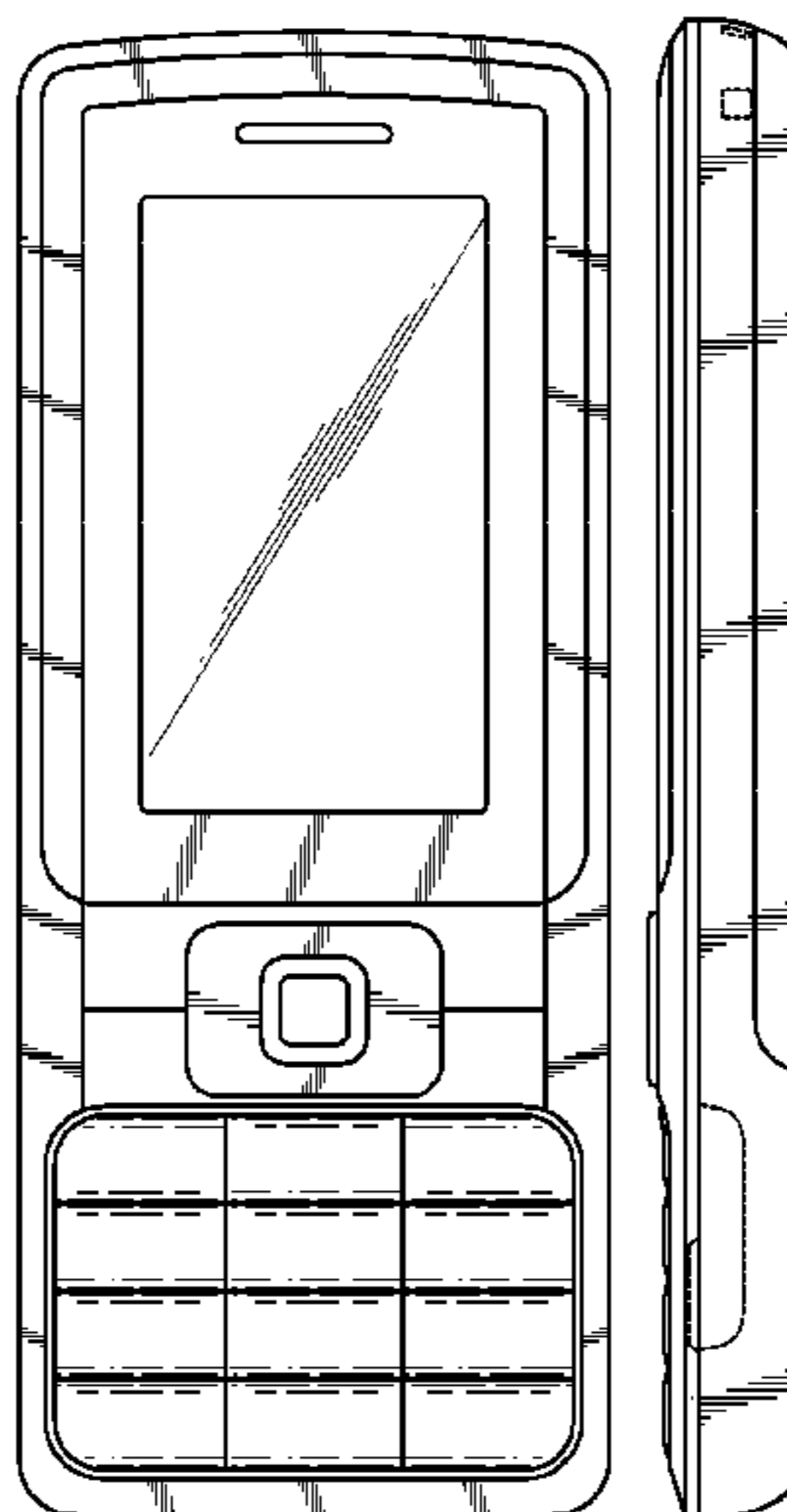


FIG. 1

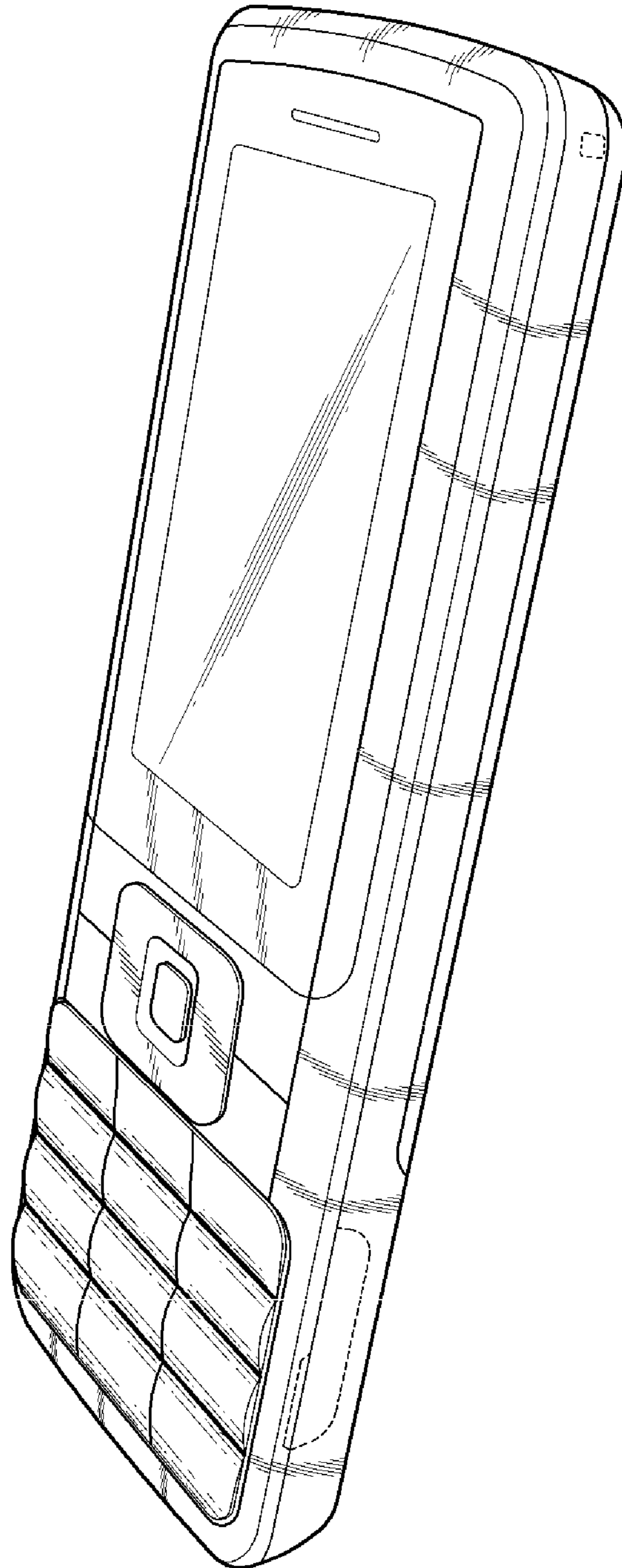


FIG. 2

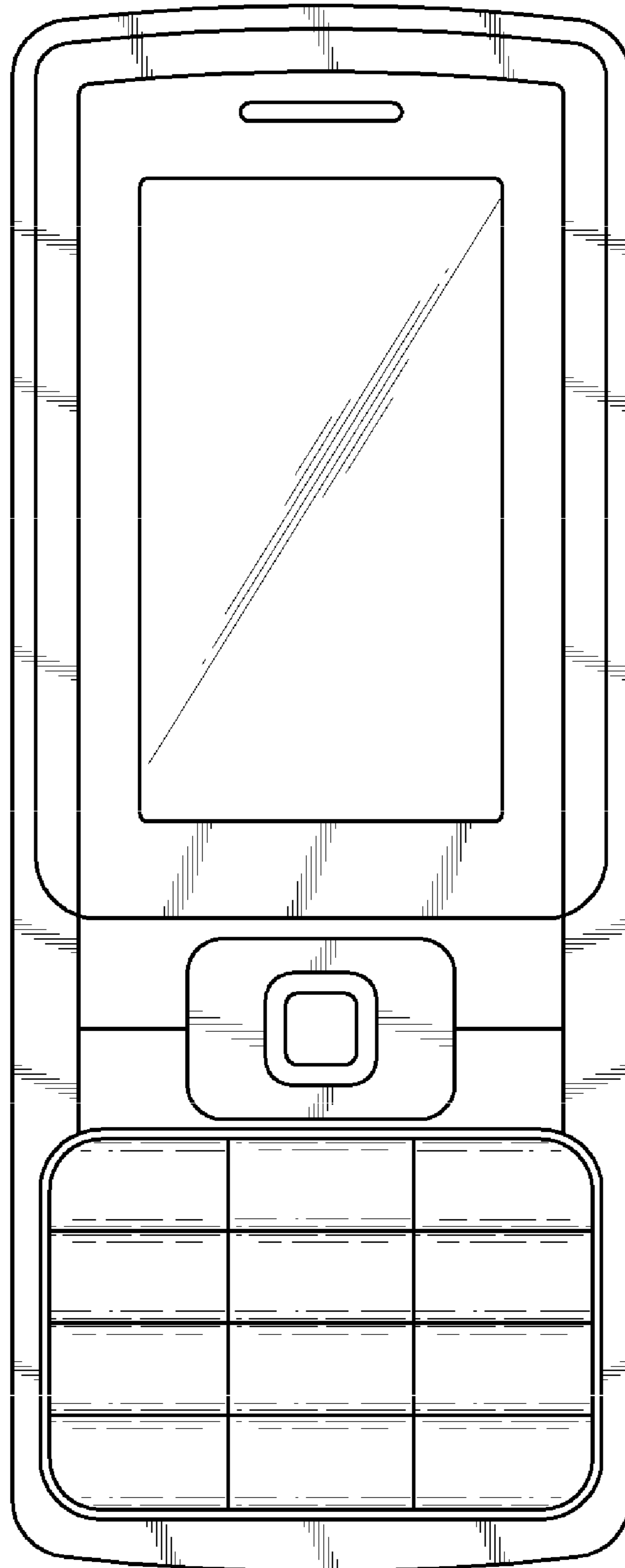


FIG. 3



FIG. 4

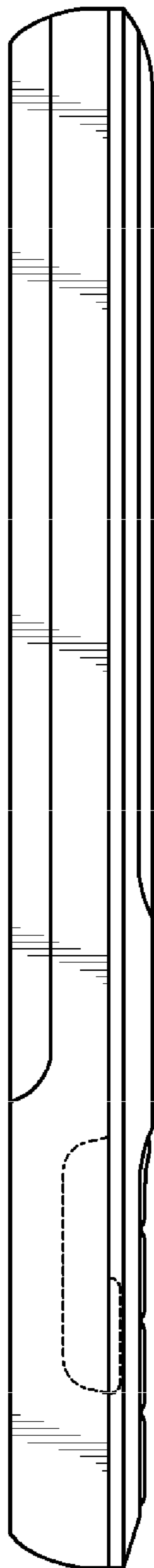


FIG. 5

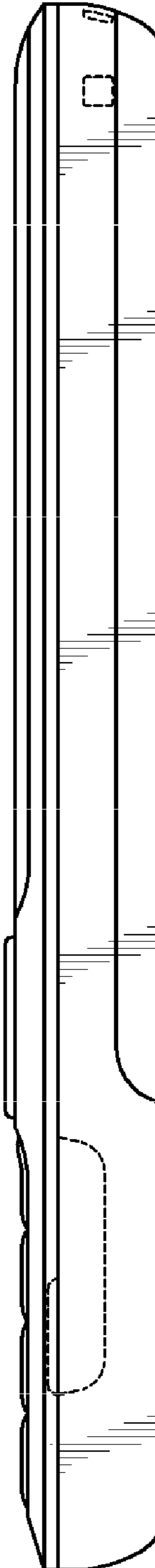


FIG. 6

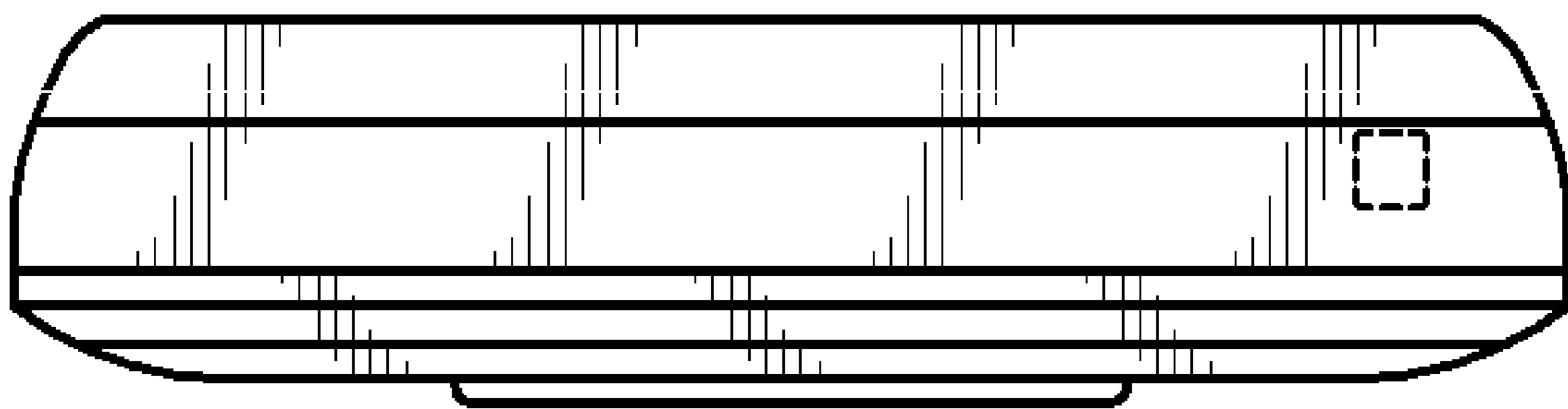


FIG. 7

