

US00D604710S

(12) **United States Design Patent**  
**Suzuki**

(10) **Patent No.:** **US D604,710 S**

(45) **Date of Patent:** **\*\* Nov. 24, 2009**

(54) **MOBILE PHONE**

(75) Inventor: **Shigeaki Suzuki**, Tokyo (JP)

(73) Assignee: **Sony Ericsson Mobile Communications AB**, Lund (SE)

(\*\*) Term: **14 Years**

(21) Appl. No.: **29/331,798**

(22) Filed: **Feb. 2, 2009**

(30) **Foreign Application Priority Data**

Aug. 14, 2008 (EM) ..... 000986724-0001

(51) **LOC (9) Cl.** ..... **14-03**

(52) **U.S. Cl.** ..... **D14/138 AD**

(58) **Field of Classification Search** ..... D14/138 R,  
D14/138 AD, 138 AC, 138 C, 138 G, 191,  
D14/203.1–203.8, 496, 138 AA, 138 AB,  
D14/247–248, 137, 147, 218, 341–347; D10/65,  
D10/78, 104; D13/168; D18/7; 455/566,  
455/575.1, 575.3

See application file for complete search history.

(56) **References Cited**

**U.S. PATENT DOCUMENTS**

D498,736 S \* 11/2004 Lee ..... D14/138 AB  
D517,042 S \* 3/2006 Byun et al. .... D14/191  
D525,609 S \* 7/2006 Kim et al. .... D14/138 AB  
D528,528 S \* 9/2006 Moon et al. .... D14/138 G

(Continued)

**OTHER PUBLICATIONS**

Asus P535, announced Nov. 2006, [online], [retrieved on Feb. 20, 2007]. Retrieved from Internet ,<URL: <http://www.gsmarena.com>>.\*

Gigabyte g-YoYo, announced 2006, [online], [retrieved on Feb. 20, 2007]. Retrieved from Internet ,<URL: <http://www.gsmarena.com>>.\*

Gigabyte g-Smart i300, announced 2<sup>nd</sup> quarter 2006, [online], [retrieved on Feb. 20, 2007]. Retrieved from Internet ,<URL: <http://www.gsmarena.com>>.\*

Samsung J800 Luxe, announced Jun. 2008, [online], [retrieved on Jun. 27, 2008 & Jan. 28, 2009]. Retrieved from Internet ,<URL: <http://www.gsmarena.com>>.\*

Sony Ericsson W760, announced Jan. 2008, [online], [retrieved on Jan. 18, 2008]. Retrieved from Internet ,<URL: <http://www.gsmarena.com>>.\*

Sony Ericsson G705, announced Sep. 2008, [online], [retrieved on Sep. 19, 2008]. Retrieved from Internet ,<URL: <http://www.gsmarena.com>>.\*

*Primary Examiner*—Jeffrey D Asch

*Assistant Examiner*—Bridget L Eland

(74) *Attorney, Agent, or Firm*—Renner, Otto, Boisselle & Sklar, LLP

(57) **CLAIM**

The ornamental design for a mobile phone, as shown and described.

**DESCRIPTION**

FIG. 1 is a front view of a mobile phone in an open position showing my design;

FIG. 2 is a rear view thereof;

FIG. 3 is a right side view thereof;

FIG. 4 is a left side view thereof;

FIG. 5 is a top view thereof;

FIG. 6 is a bottom view thereof;

FIG. 7 is a front view of the mobile phone in a closed position;

FIG. 8 is a rear view thereof;

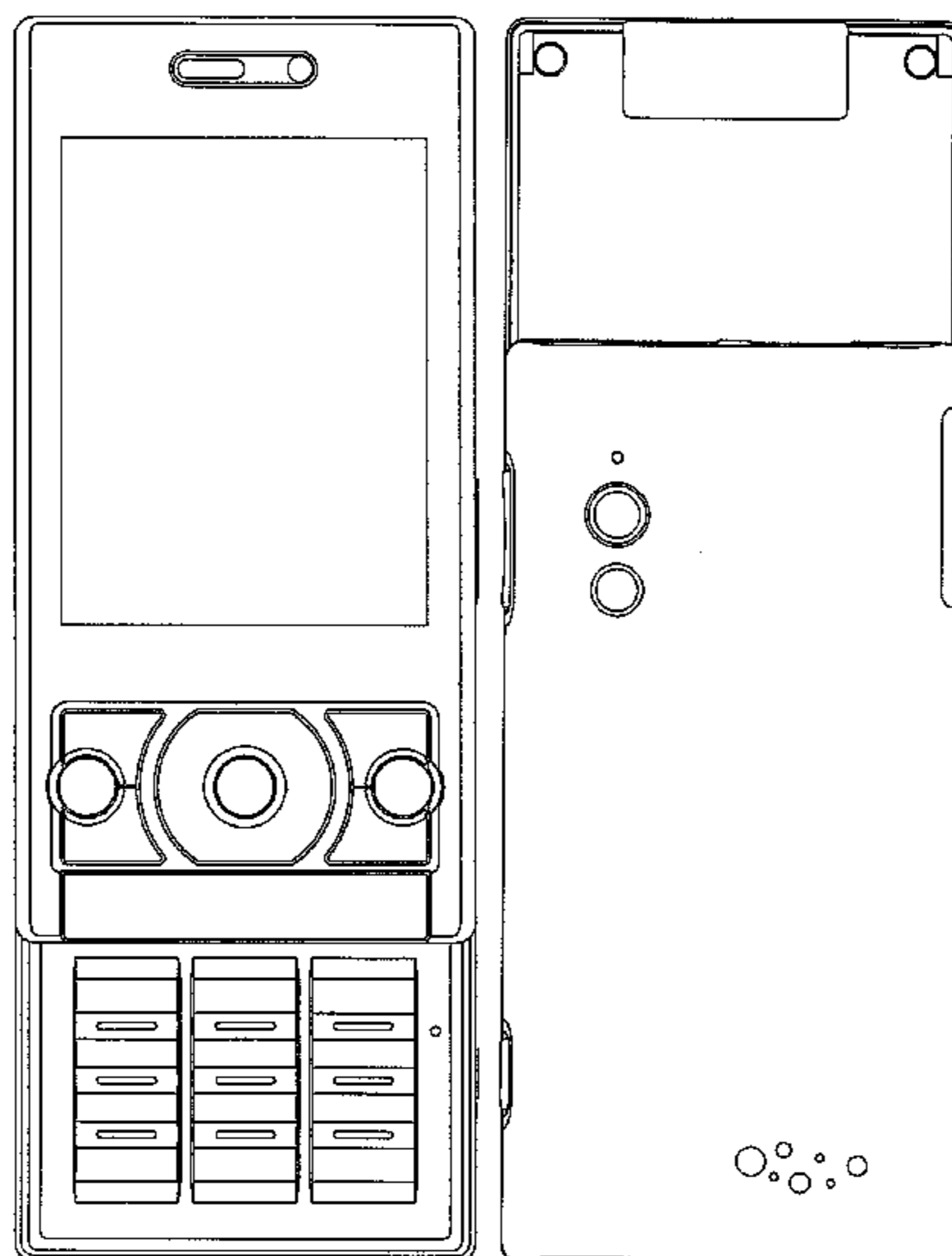
FIG. 9 is a right side view thereof;

FIG. 10 is a left side view thereof;

FIG. 11 is a top view thereof; and,

FIG. 12 is a bottom view thereof.

**1 Claim, 8 Drawing Sheets**



# US D604,710 S

Page 2

## U.S. PATENT DOCUMENTS

D531,608 S *	11/2006	Kim et al. ....	D14/138 AD	D569,366 S *	5/2008	Hsu .....	D14/138 AD
D531,611 S *	11/2006	Kim et al. ....	D14/138 AD	D570,320 S *	6/2008	Lee et al. ....	D14/138 AD
D537,062 S *	2/2007	Kim et al. ....	D14/138 AD	D570,816 S *	6/2008	Lee et al. ....	D14/138 AD
D555,133 S *	11/2007	Kim et al. ....	D14/138 AC	D579,908 S *	11/2008	Chen .....	D14/138 AD
D555,169 S *	11/2007	Shimizu et al. ....	D14/496	D580,394 S *	11/2008	Kim et al. ....	D14/138 G
D555,624 S *	11/2007	Lee et al. ....	D14/138 AA	D583,349 S *	12/2008	Lee et al. ....	D14/138 AA
D556,165 S *	11/2007	Kim et al. ....	D14/138 G	D587,670 S *	3/2009	Kim et al. ....	D14/138 AD
D558,716 S *	1/2008	Bae et al. ....	D14/138 AA	D595,683 S *	7/2009	Tsai et al. ....	D14/138 AD
D561,148 S *	2/2008	Chen .....	D14/138 AD	2004/0185821 A1 *	9/2004	Yuasa .....	455/343.5
D563,938 S *	3/2008	Kim et al. ....	D14/138 AD	2007/0082718 A1 *	4/2007	Yoon et al. ....	455/575.4
D567,819 S *	4/2008	Devericks et al. ....	D14/496	2008/0242379 A1 *	10/2008	Fujii .....	455/575.3

\* cited by examiner

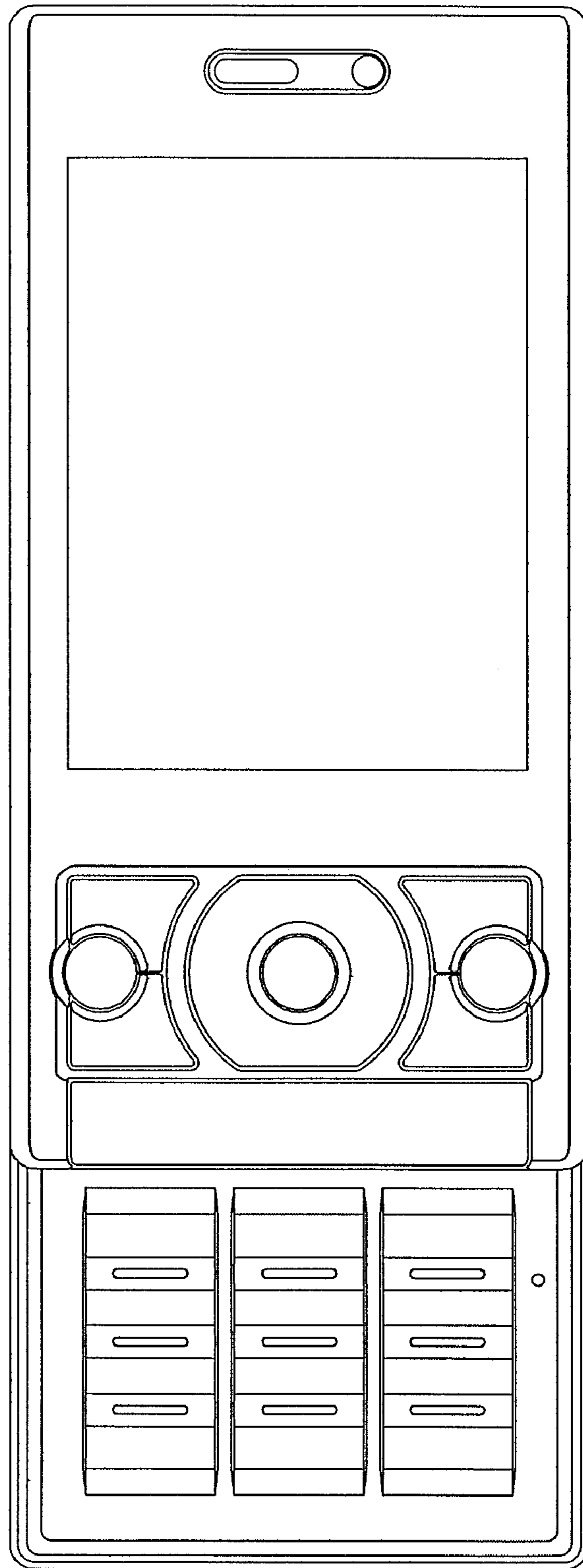


FIG. 1

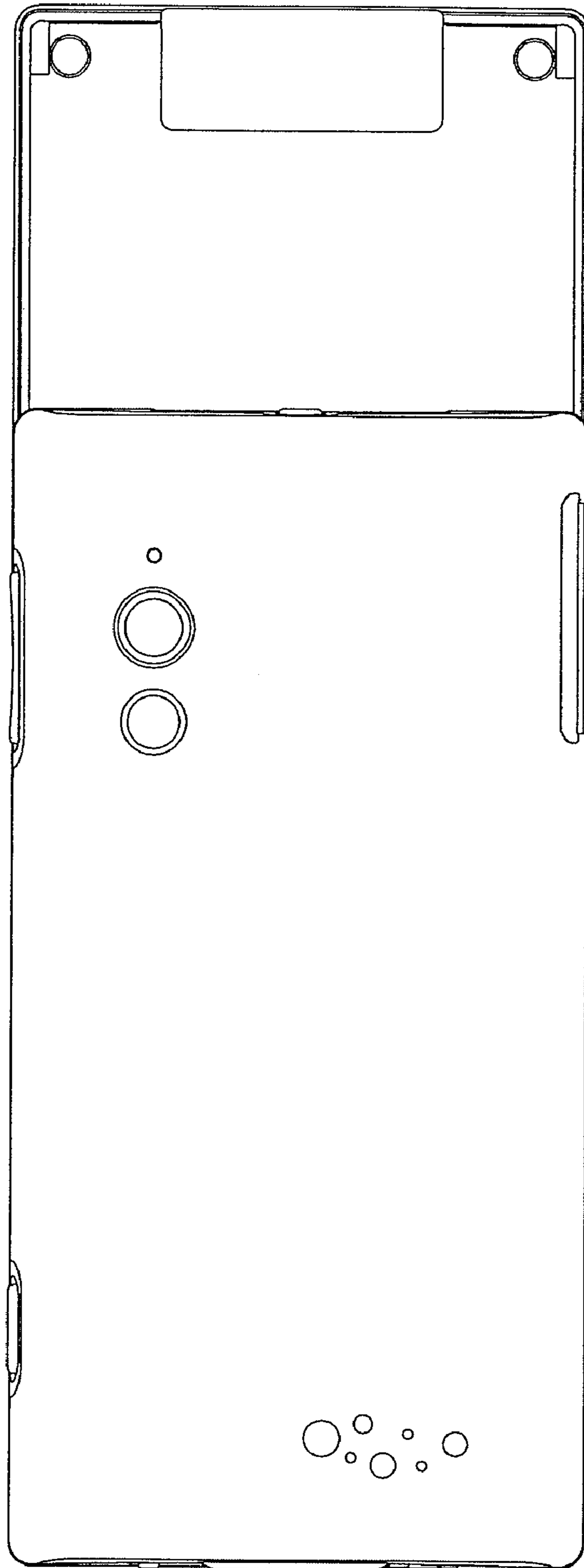


FIG. 2

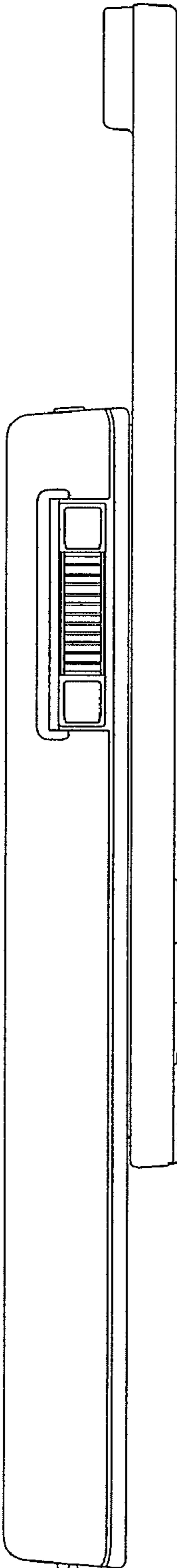


FIG. 4

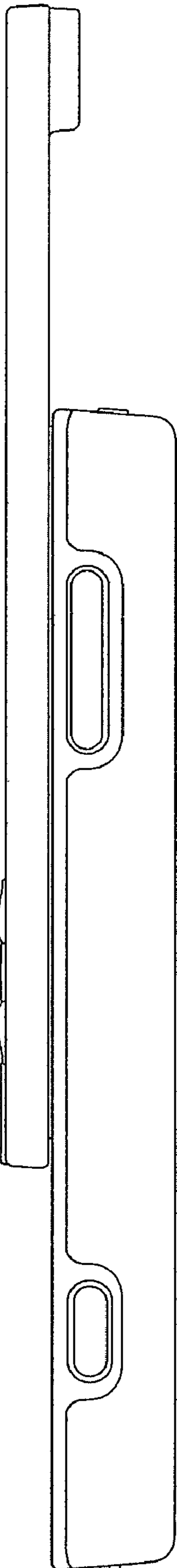


FIG. 3

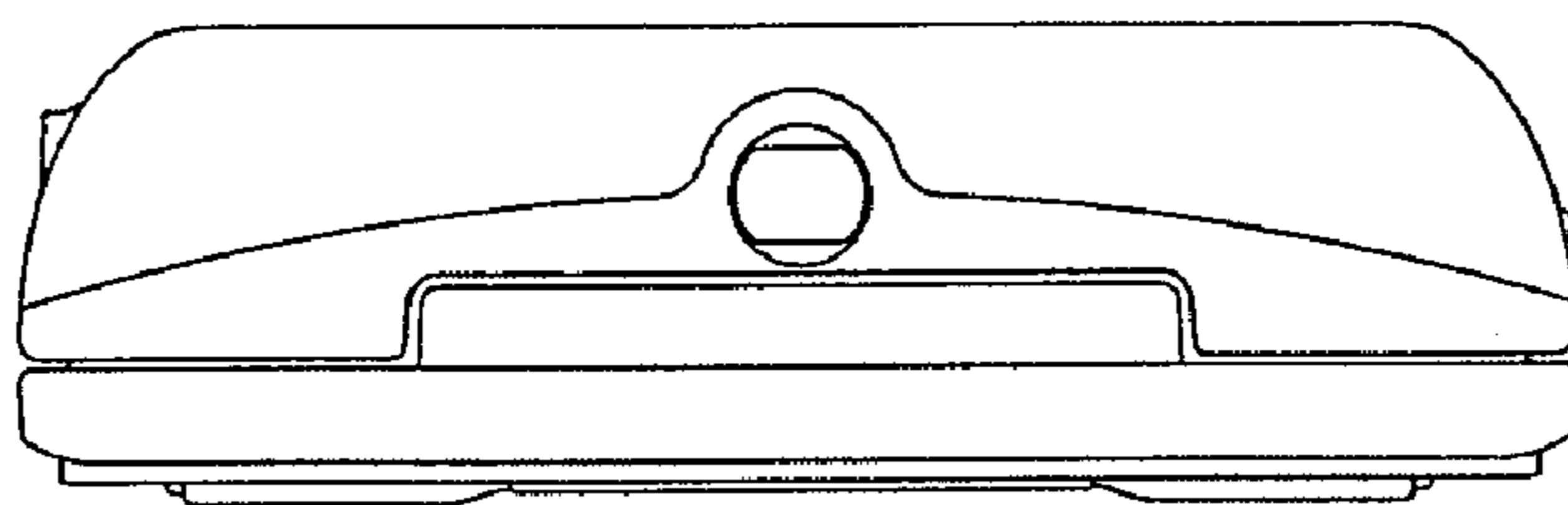


FIG. 5

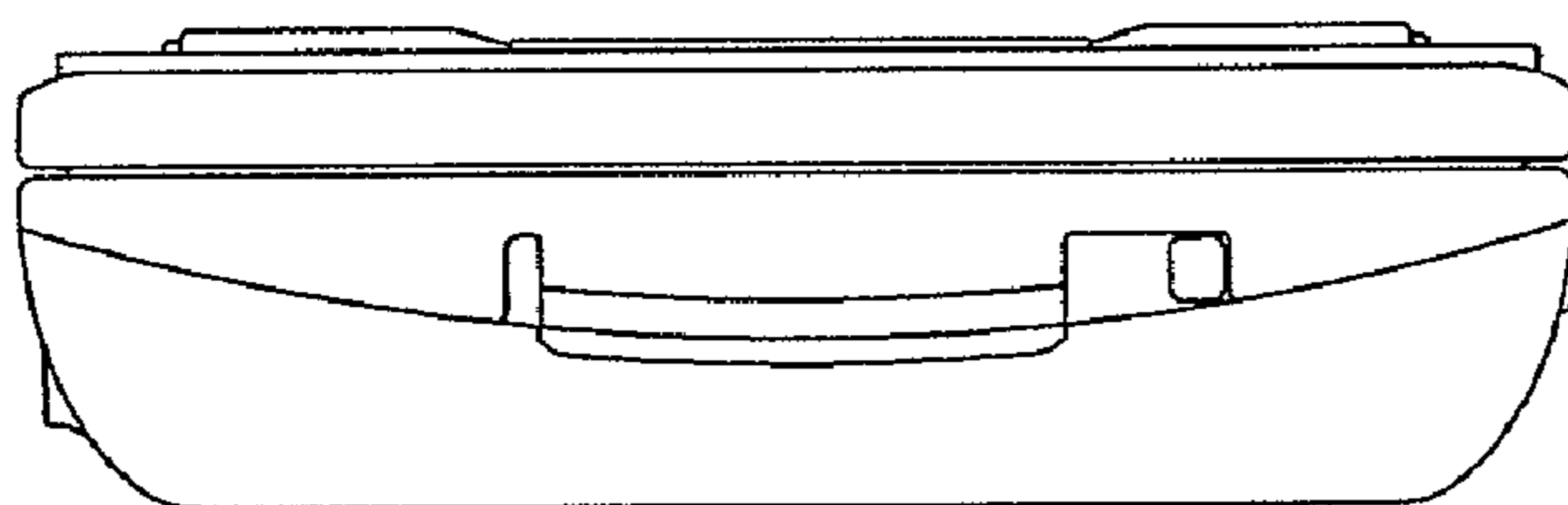


FIG. 6

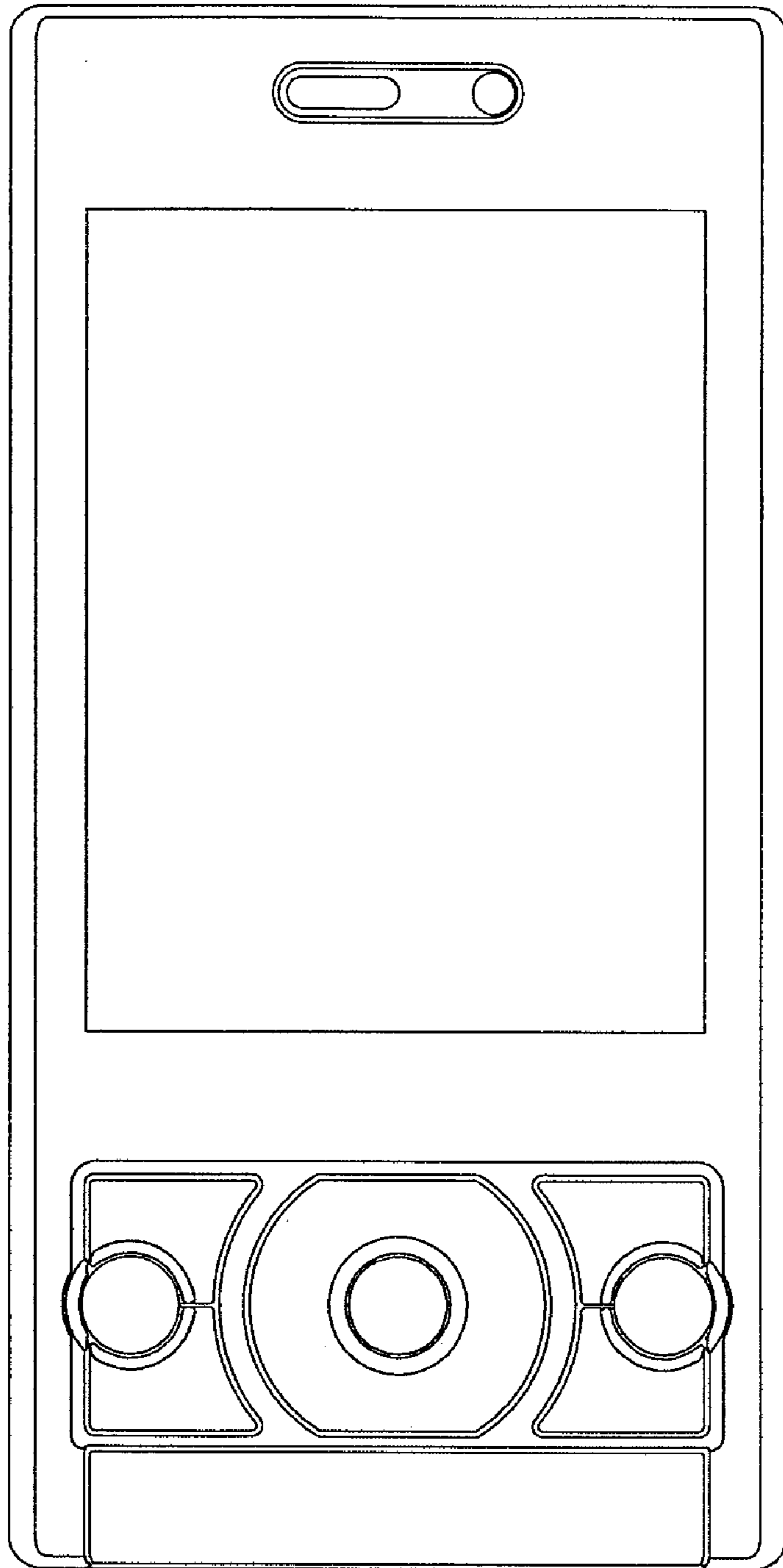


FIG. 7

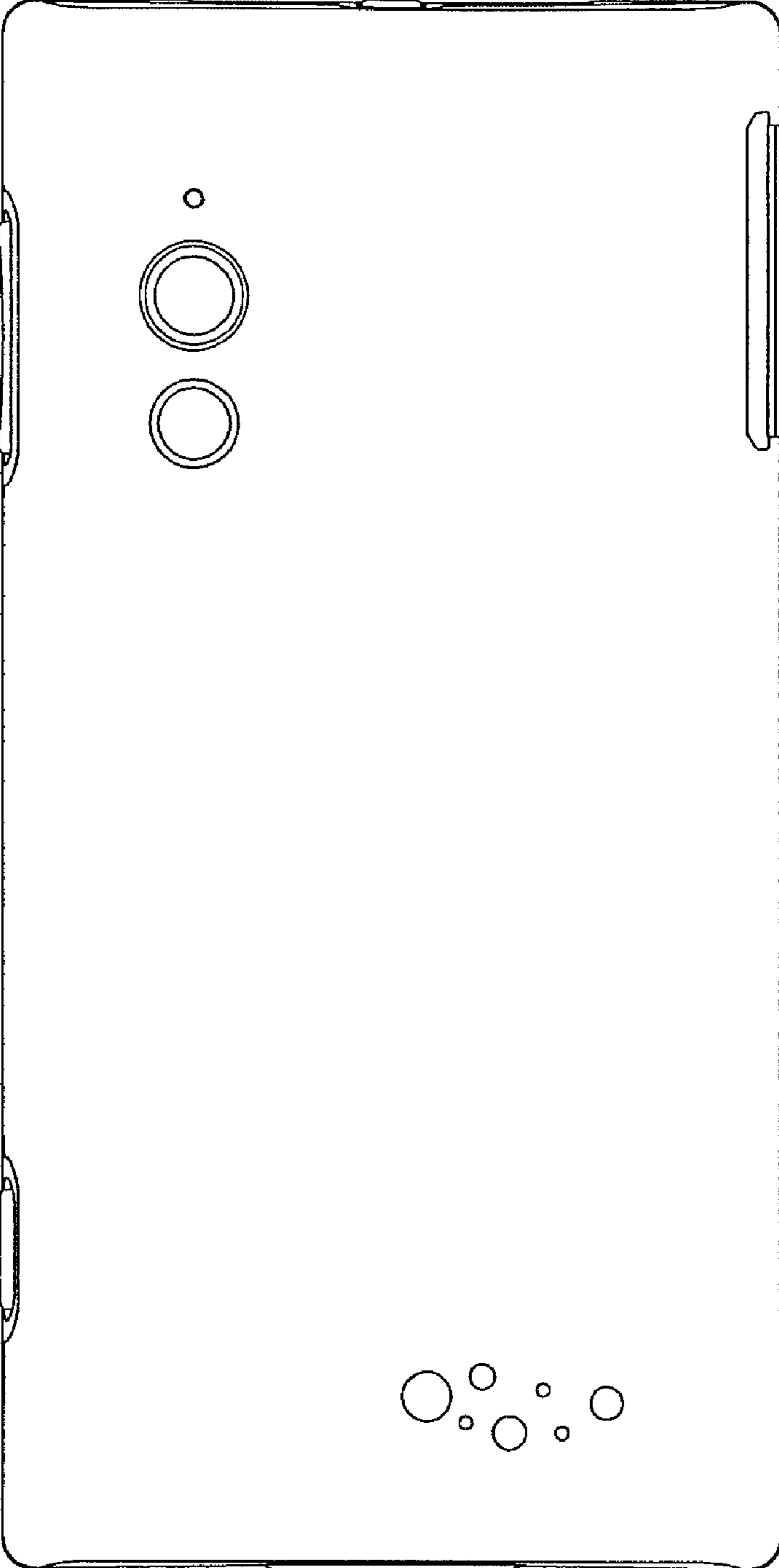


FIG. 8



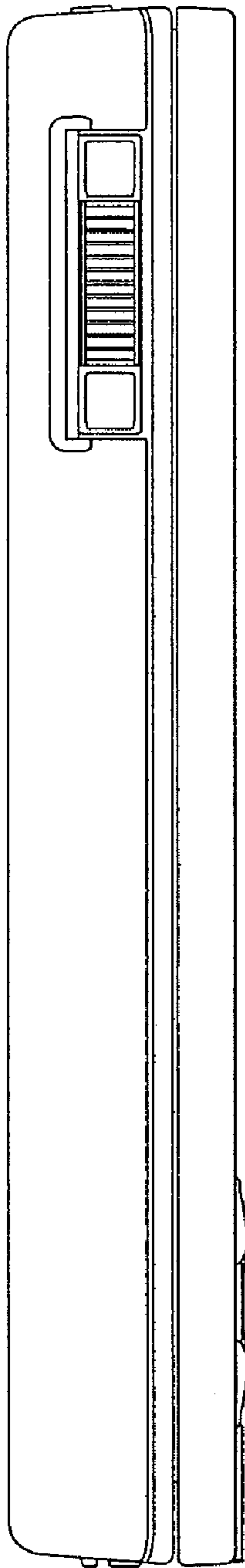


FIG. 10

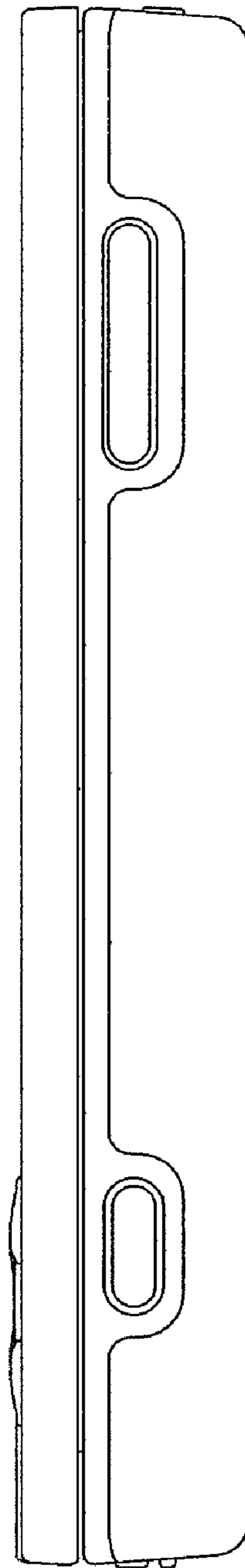


FIG. 9

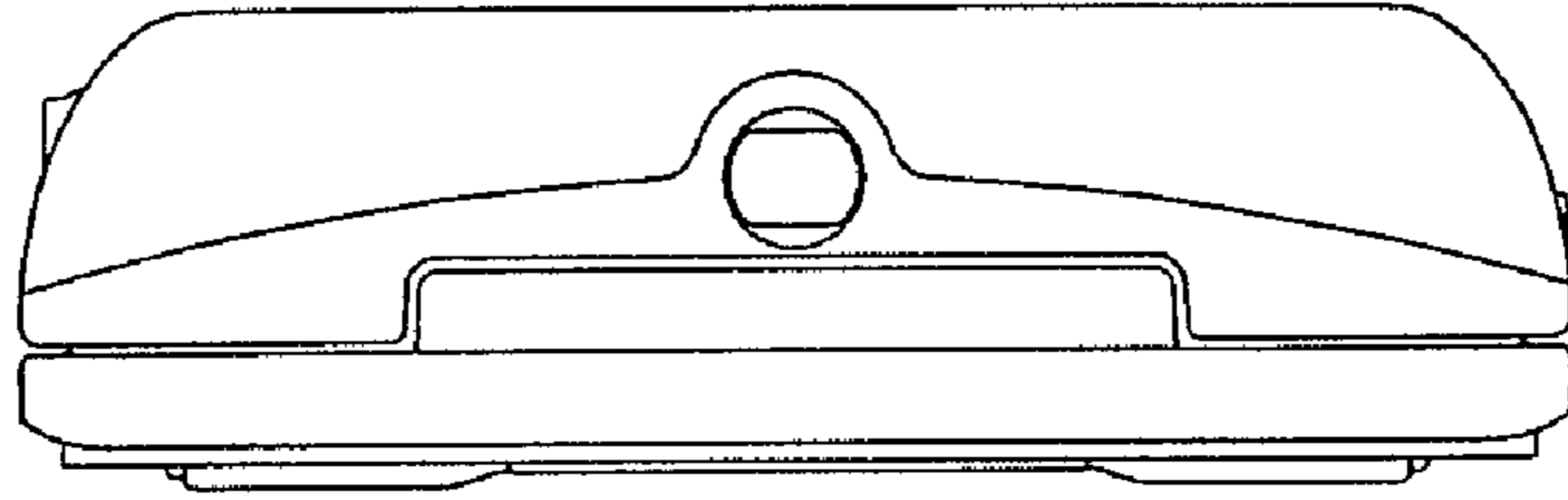


FIG. 11

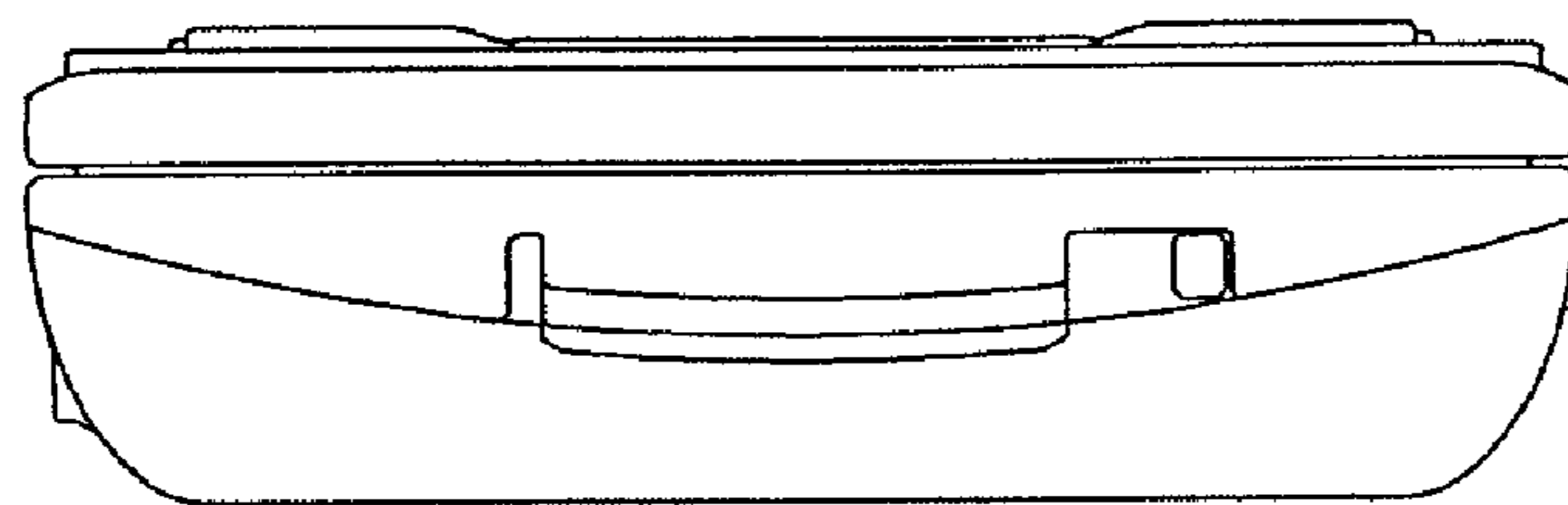


FIG. 12

UNITED STATES PATENT AND TRADEMARK OFFICE  
**CERTIFICATE OF CORRECTION**

PATENT NO. : Des. 604,710 S  
APPLICATION NO. : 29/331798  
DATED : November 24, 2009  
INVENTOR(S) : Shigeaki Suzuki

Page 1 of 1

It is certified that error appears in the above-identified patent and that said Letters Patent is hereby corrected as shown below:

Title Page the following should appear:

Item (30) Foreign Application Priority Data  
Aug. 14, 2008 (EM) 000986724-0001-0002

Signed and Sealed this

Nineteenth Day of January, 2010



David J. Kappos  
*Director of the United States Patent and Trademark Office*