



US00D604709S

(12) **United States Design Patent**
Koigo

(10) **Patent No.:** **US D604,709 S**
(45) **Date of Patent:** **** Nov. 24, 2009**

(54) **MULTI-SCREEN FLIP CELL PHONE**

(76) Inventor: **Edgar S. Koigo**, 13860 S. Alden Ct.,
Olathe, KS (US) 66062-5368

(**) Term: **14 Years**

(21) Appl. No.: **29/313,800**

(22) Filed: **Feb. 12, 2009**

(51) **LOC (9) Cl.** **14-03**

(52) **U.S. Cl.** **D14/138 AA; D14/138 AB**

(58) **Field of Classification Search** **D14/138 AA,**
D14/138 R, 138 AD, 341-347, 138 AB; 455/575.1,
455/575.4, 556.2, 575.3

See application file for complete search history.

(56) **References Cited**

U.S. PATENT DOCUMENTS

D356,547 S *	3/1995	Silva et al.	D14/341
D377,341 S *	1/1997	Imai et al.	D14/343
D390,541 S *	2/1998	Chiba	D14/345
D392,968 S *	3/1998	Johansson	D14/144
D430,871 S *	9/2000	Chu et al.	D14/345
6,144,358 A *	11/2000	Narayanaswamy et al. .	345/102
6,259,932 B1 *	7/2001	Constien	455/556.1
D447,740 S *	9/2001	Johansson	D14/138 AA
D454,871 S *	3/2002	Perez	D14/345
6,445,932 B1 *	9/2002	Soini et al.	455/556.1
D464,033 S *	10/2002	Piano-Poirier	D14/144
6,640,113 B1 *	10/2003	Shim et al.	455/566
D552,584 S *	10/2007	Lee	D14/138 AA
D560,641 S *	1/2008	Jung et al.	D14/138 AA
D562,286 S *	2/2008	Lim et al.	D14/138 AA
D563,371 S *	3/2008	Kim et al.	D14/138 AA
D565,017 S *	3/2008	Kim et al.	D14/138 AA
D574,347 S *	8/2008	Lee et al.	D14/138 AA
D586,805 S *	2/2009	Shi	D14/346
D587,234 S *	2/2009	Kim et al.	D14/138 AD
D590,792 S *	4/2009	Chang et al.	D14/138 AA
D591,254 S *	4/2009	Lim et al.	D14/138 AA
D591,255 S *	4/2009	Lee et al.	D14/138 AA
D596,602 S *	7/2009	Cha et al.	D14/138 AA
2005/0250530 A1 *	11/2005	Tanaka	455/550.1
2008/0242359 A1 *	10/2008	Seol et al.	455/566

2009/0034800 A1* 2/2009 Vau et al. 382/107

OTHER PUBLICATIONS

Nokia E90 telephone, announced Feb. 2007, [online], [site visited Aug. 19, 2009]. Available from Internet , <URL: http://www.gsmarena.com>.*

Motorola A630 telephone, announced 1st quarter 2004, [online], [site visited Aug. 19, 2009]. Available from Internet , <URL: http://www.gsmarena.com>.*

Asus M930 telephone, announced Feb. 2008, [online], [site visited Aug. 19, 2009]. Available from Internet , <URL: http://www.gsmarena.com>.*

Panasonic SC3 telephone, announced 1st quarter 2005, [online], [site visited Aug. 19, 2009]. Available from Internet , <URL: http://www.gsmarena.com>.*

HTC S740 telephone, announced Aug. 2008, [online], [site visited Aug. 19, 2009]. Available from Internet , <URL: http://www.gsmarena.com>.*

* cited by examiner

Primary Examiner—Jeffrey D Asch

(74) *Attorney, Agent, or Firm*—Kenneth W. Iles

(57) **CLAIM**

The ornamental design for multi-screen flip cell phone, as shown and described.

DESCRIPTION

FIG. 1 is a top right-hand perspective view of the multi-screen flip cell phone showing my new design in a closed position;

FIG. 2 is a bottom left-hand perspective view thereof shown in a closed position;

FIG. 3 is a top view thereof;

FIG. 4 is a front view thereof;

FIG. 5 is a rear view thereof;

FIG. 6 is a bottom view thereof;

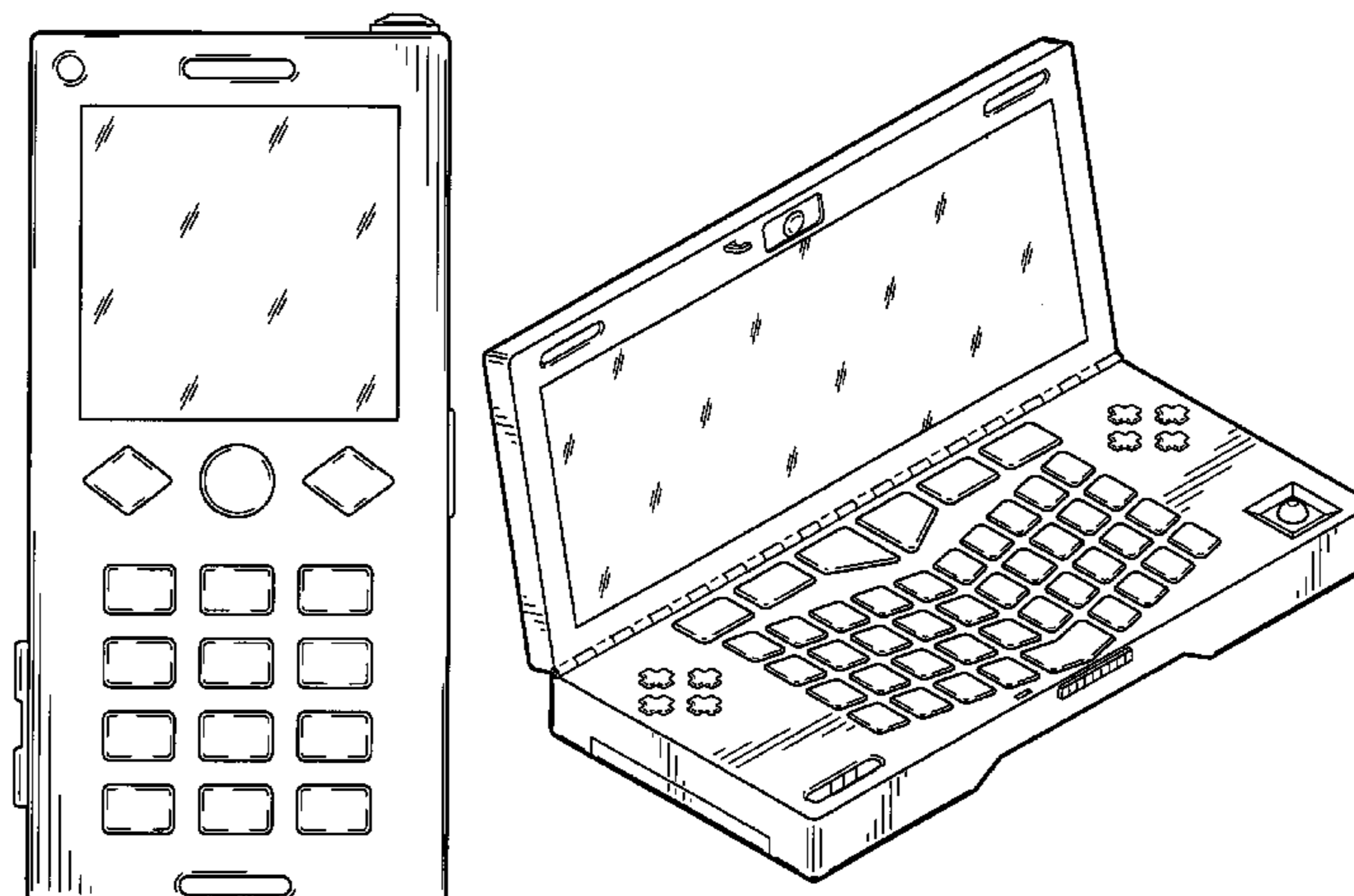
FIG. 7 is a left-hand side view thereof;

FIG. 8 is a right-hand side view thereof;

FIG. 9 is an isometric view thereof shown in the open position; and,

FIG. 10 is a top view thereof shown in the open position.

1 Claim, 5 Drawing Sheets



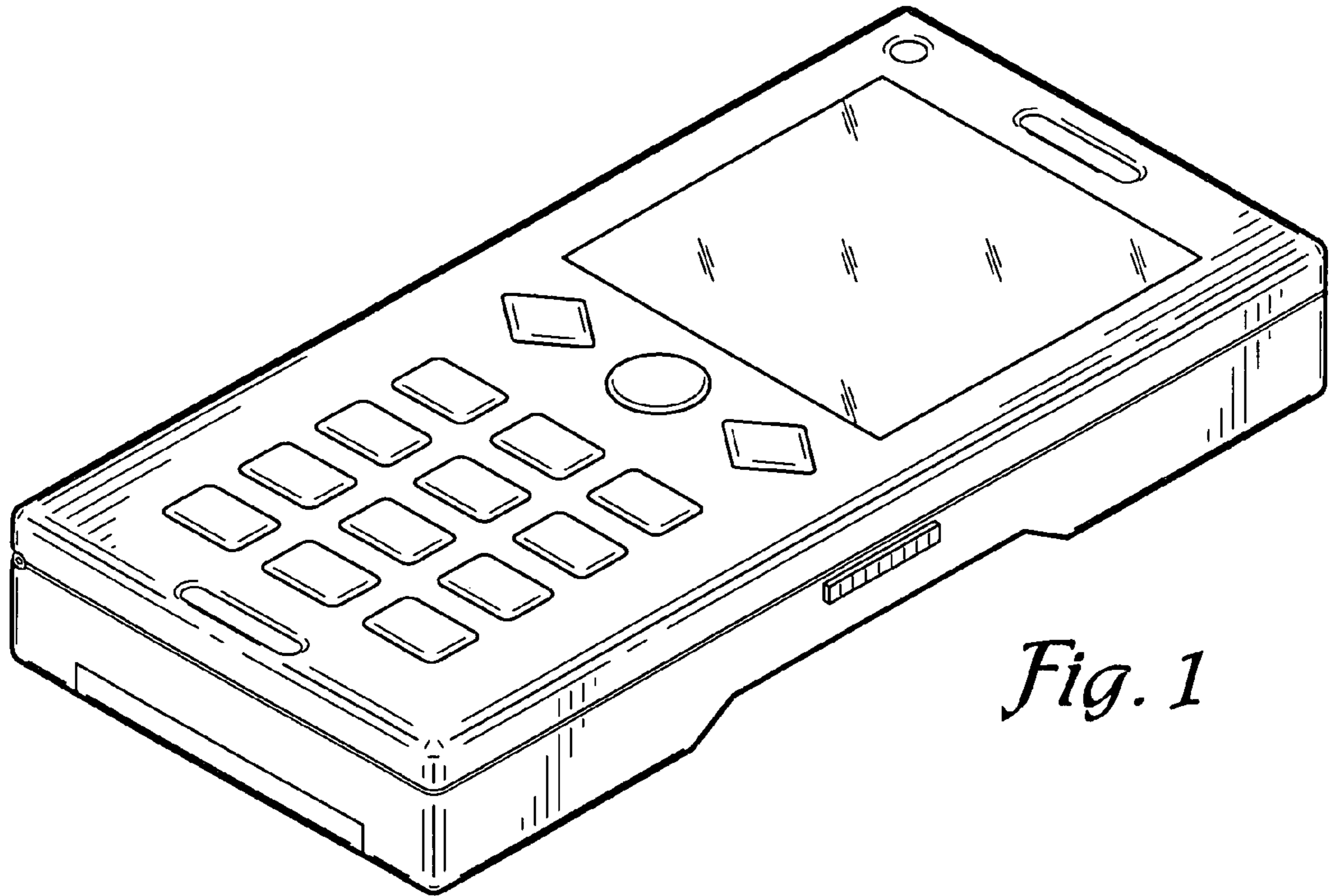


Fig. 1

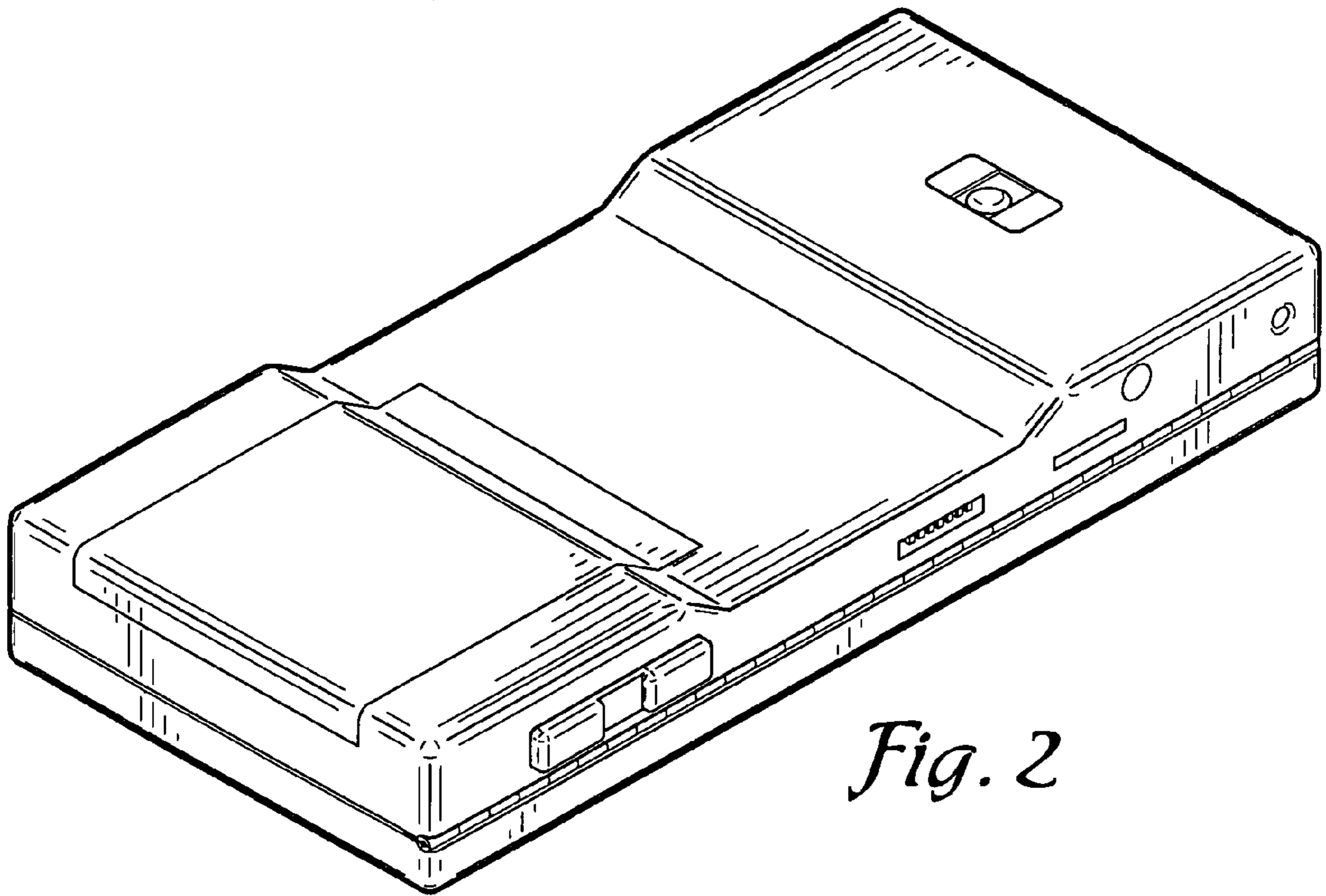


Fig. 2

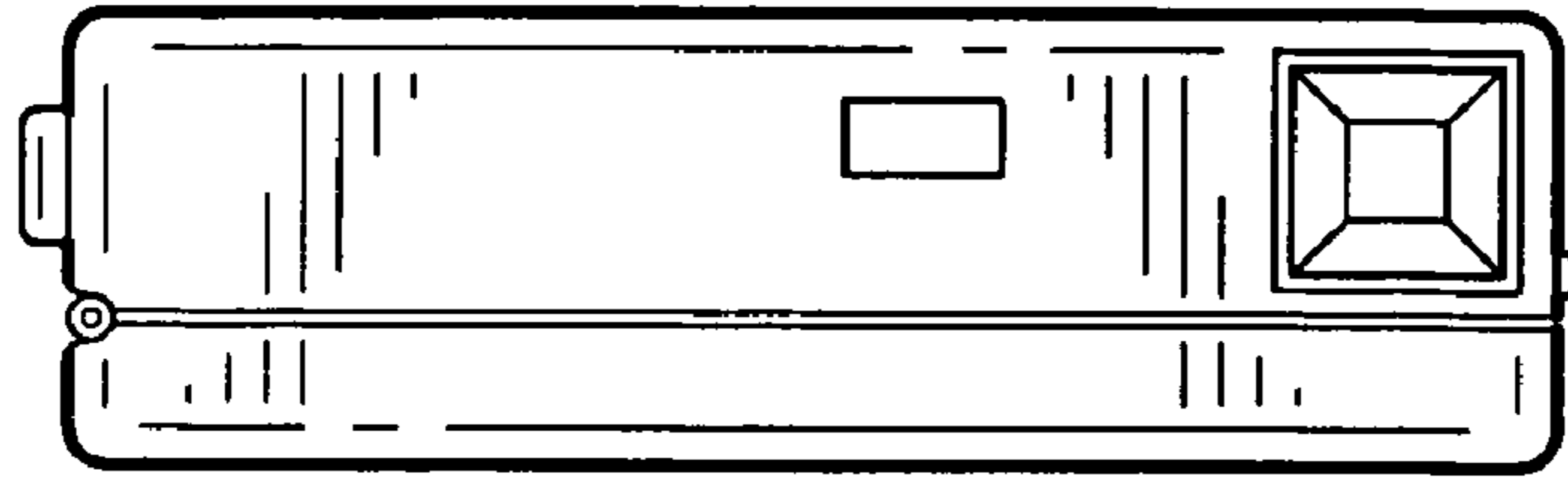


Fig. 3

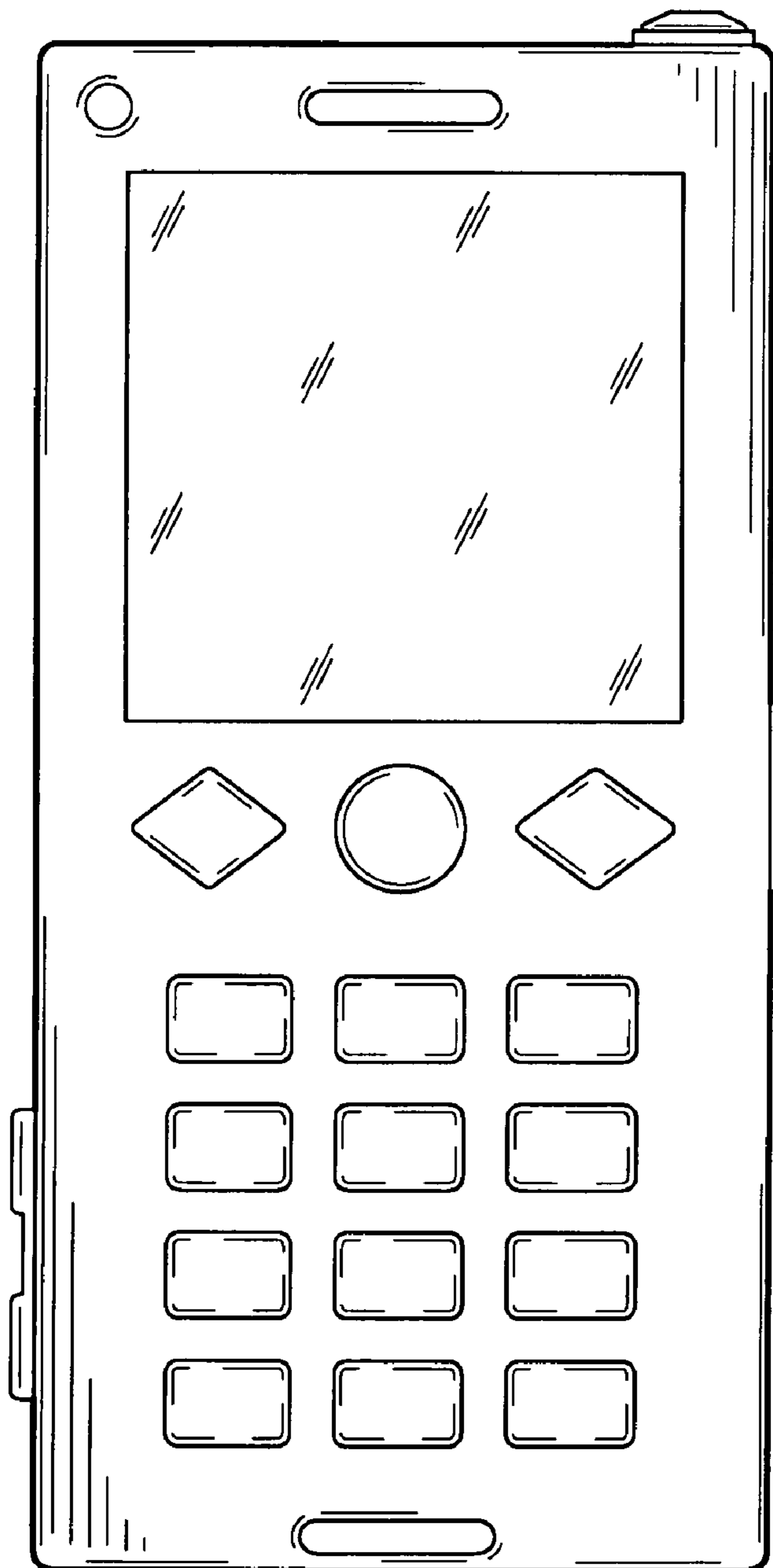


Fig. 4

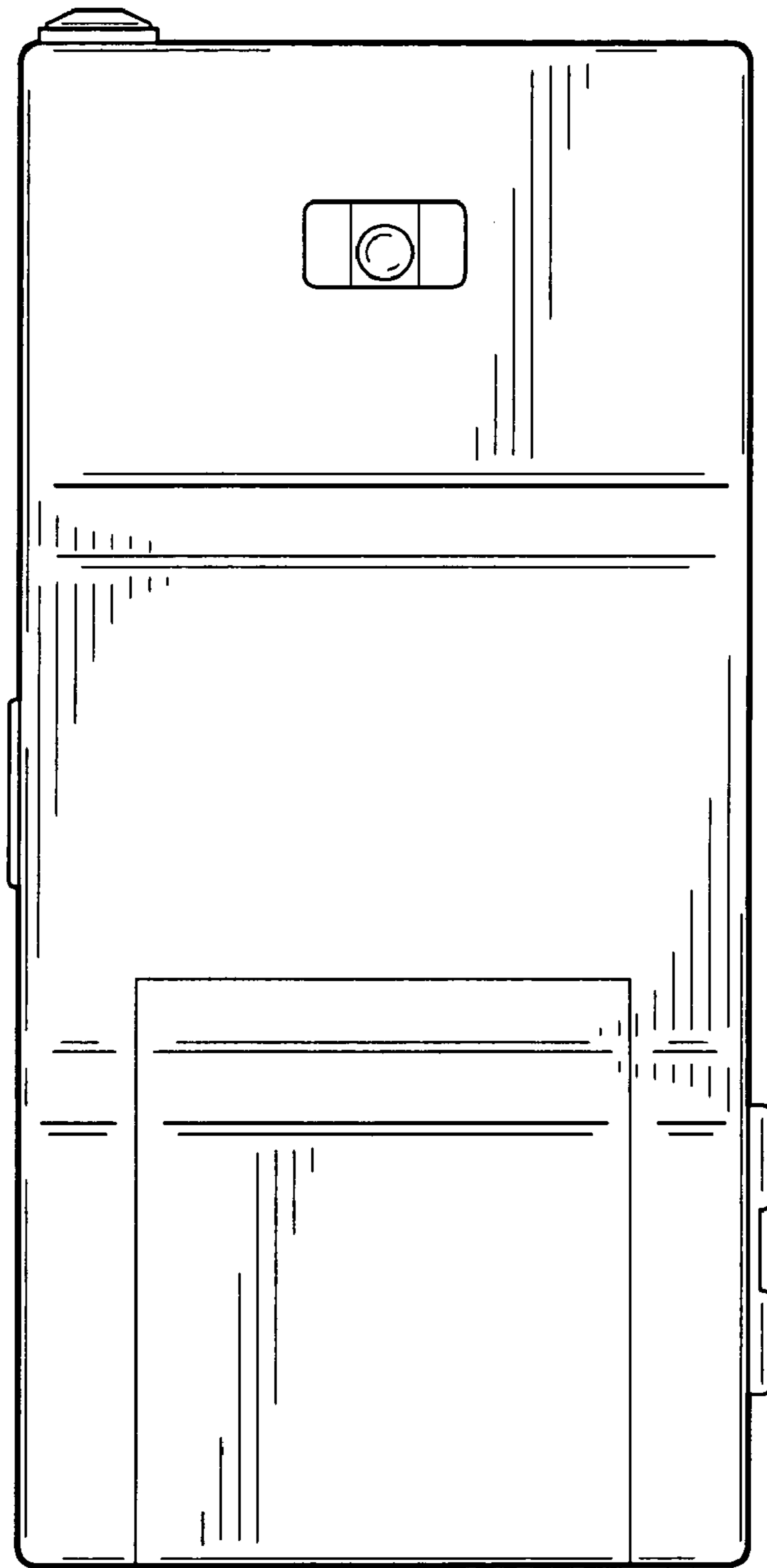


Fig. 5

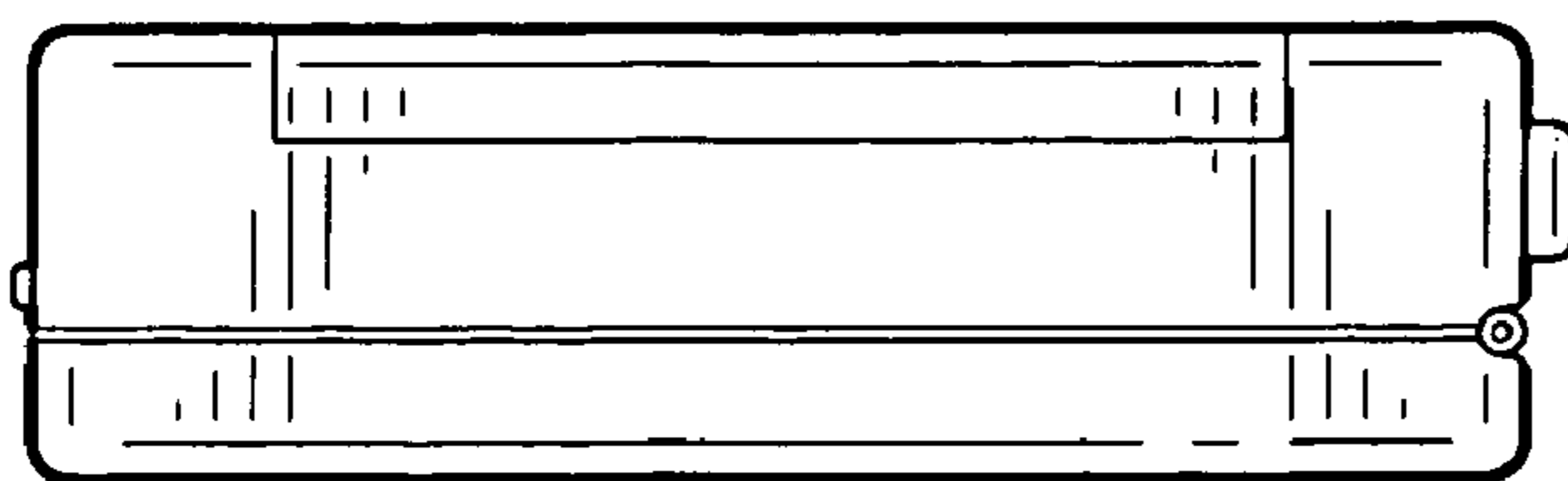


Fig. 6

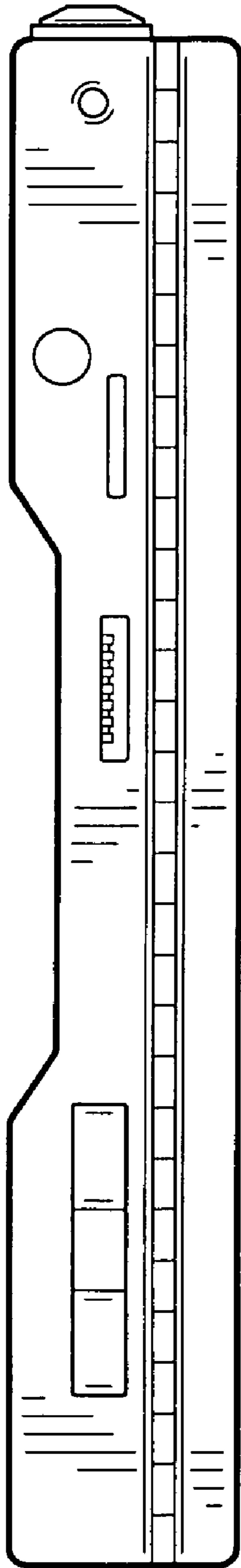


Fig. 7

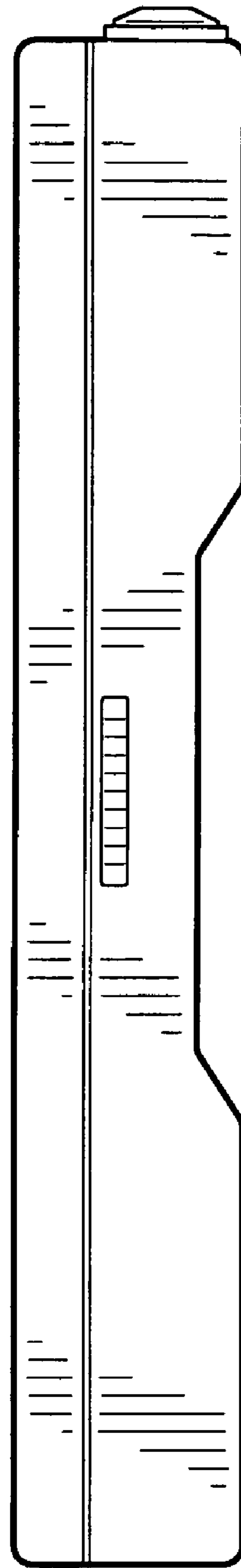


Fig. 8

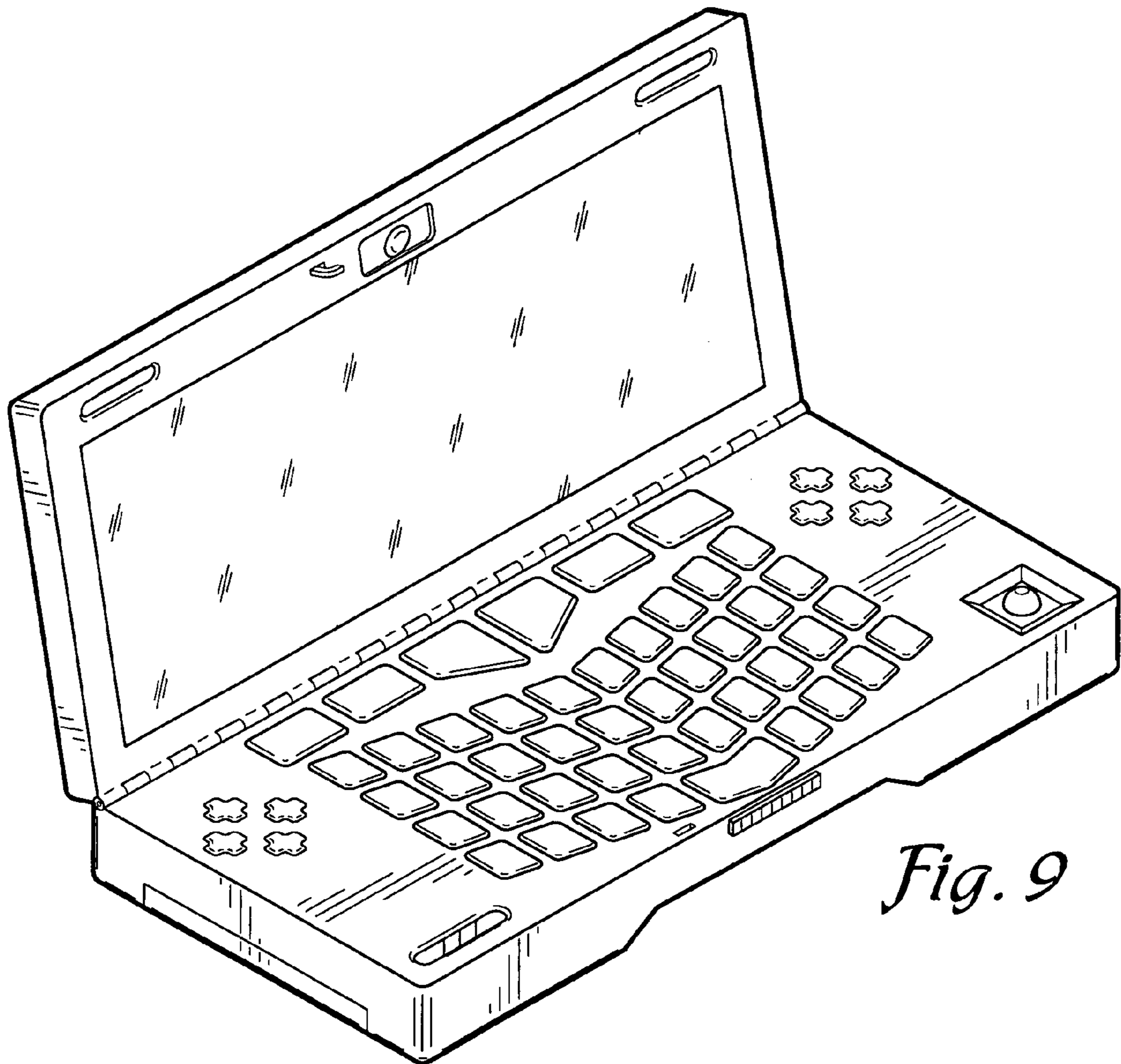


Fig. 9

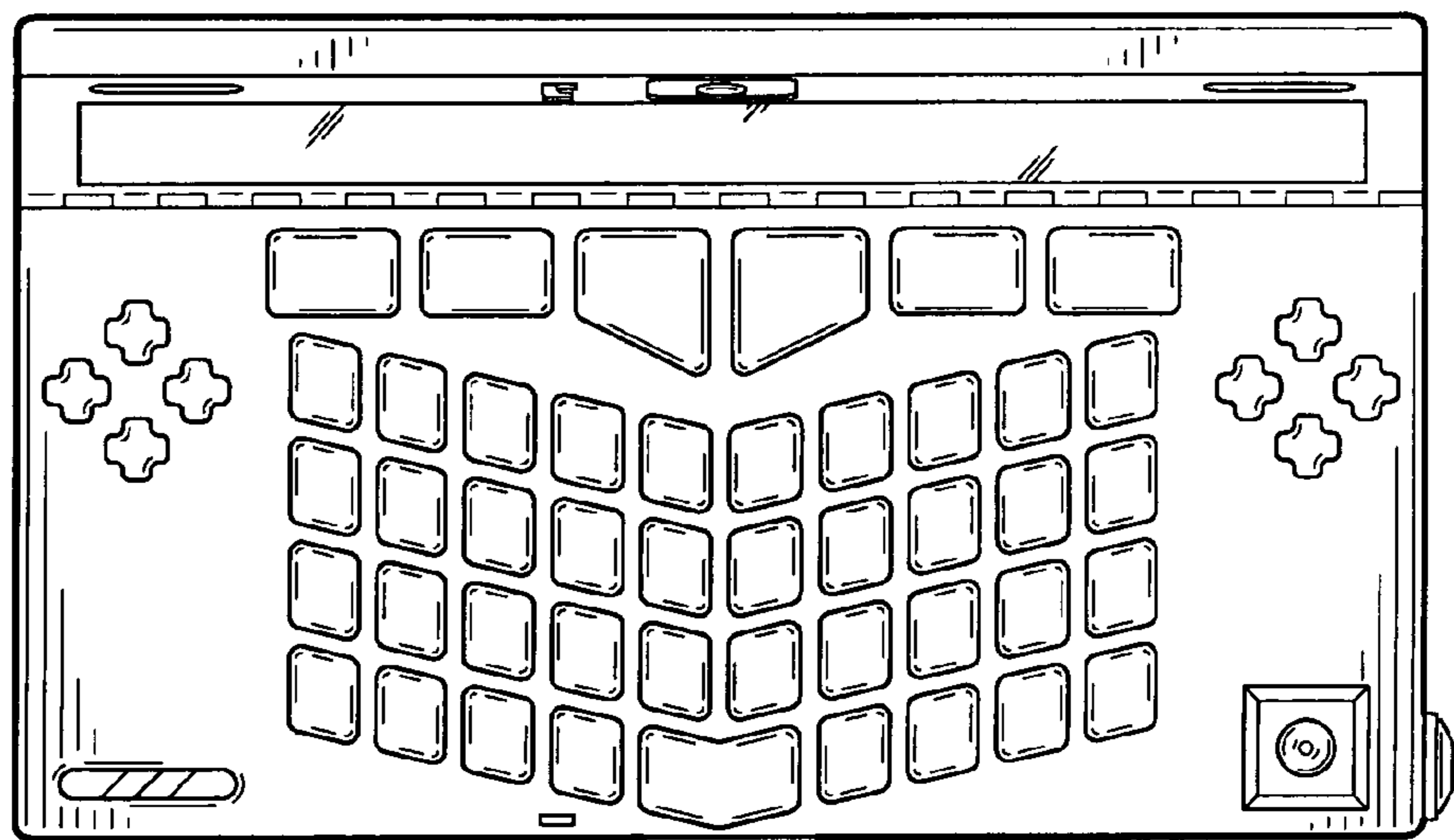


Fig. 10

UNITED STATES PATENT AND TRADEMARK OFFICE
CERTIFICATE OF CORRECTION

PATENT NO. : Des. 604,709 S
APPLICATION NO. : 29/313800
DATED : November 24, 2009
INVENTOR(S) : Koigi

Page 1 of 1

It is certified that error appears in the above-identified patent and that said Letters Patent is hereby corrected as shown below:

In item (12) on the Title Page, the inventor's last name should be --Koigi--.

In item (76) on the Title Page, the inventor's last name should be --Koigi--.

Signed and Sealed this

Sixteenth Day of March, 2010

A handwritten signature in black ink that reads "David J. Kappos". The signature is written in a cursive style with a large, stylized 'D' and 'K'.

David J. Kappos
Director of the United States Patent and Trademark Office