



US00D604706S

(12) **United States Design Patent**  
**Sato et al.**

(10) **Patent No.:** **US D604,706 S**

(45) **Date of Patent:** **\*\* Nov. 24, 2009**

(54) **TUNER**

(75) Inventors: **Satoshi Sato**, Akita (JP); **Takumi Suzuki**, Akita (JP); **Toshihiko Inaba**, Akita (JP); **Junichi Noro**, Akita (JP)

(73) Assignee: **Mitsumi Electric Co., Ltd**, Tokyo (JP)

(\*\*) Term: **14 Years**

(21) Appl. No.: **29/322,375**

(22) Filed: **Aug. 4, 2008**

(30) **Foreign Application Priority Data**

Feb. 5, 2008 (JP) ..... 2008-002361

(51) **LOC (9) Cl.** ..... **14-03**

(52) **U.S. Cl.** ..... **D14/125; D14/188**

(58) **Field of Classification Search** ..... D14/125-134, D14/230-239, 371, 135, 136, 374-377, 138, D14/299, 358, 155, 365, 496, 188, 168, 189, D14/193-198, 217, 265; 312/7.2, 208.1-223.2; 348/836, 838, 180, 184, 325, 739, 10, 460; 341/12; 248/465, 917-924, 123.11; 345/104, 345/133, 156, 168, 87, 173, 169; 349/1, 349/2, 11, 62; 720/605, 669, 600, 655, 99, 720/197; 455/344-351, 100, 128; 369/99, 369/197; 381/351, 386; D13/133, 147  
See application file for complete search history.

(56) **References Cited**

**U.S. PATENT DOCUMENTS**

D475,988 S \* 6/2003 Otani et al. .... D14/188

D518,815 S \* 4/2006 Otani ..... D14/188  
D533,508 S \* 12/2006 Suzuki et al. .... D13/147  
D556,734 S \* 12/2007 Otani ..... D14/188  
D571,742 S \* 6/2008 Shimizu ..... D14/125  
D572,354 S \* 7/2008 Tsuchiya et al. .... D23/355  
D591,683 S \* 5/2009 Suzuki et al. .... D13/147

\* cited by examiner

*Primary Examiner*—Raphael Barkai

*Assistant Examiner*—Randall H Gholson

(74) *Attorney, Agent, or Firm*—Sughrue Mion, PLLC

(57) **CLAIM**

The ornamental design for a tuner, as shown and described.

**DESCRIPTION**

FIG. 1 is a front perspective view of the tuner according to the present invention;

FIG. 2 is a front view thereof;

FIG. 3 is a rear view thereof;

FIG. 4 is a left side view thereof;

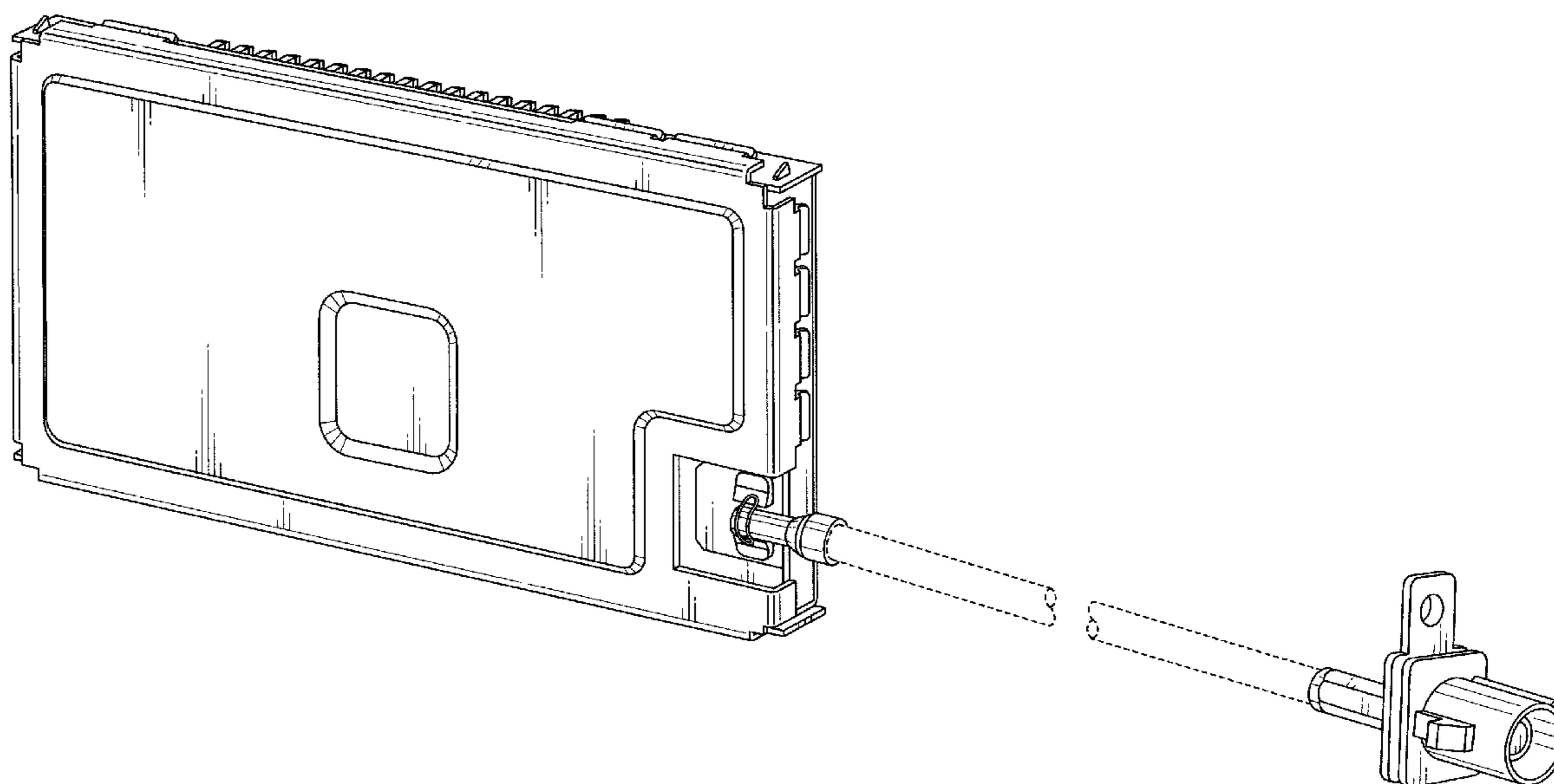
FIG. 5 is a right side view thereof;

FIG. 6 is a top view thereof;

FIG. 7 is a bottom view thereof; and,

FIG. 8 is a rear perspective view thereof.

**1 Claim, 6 Drawing Sheets**



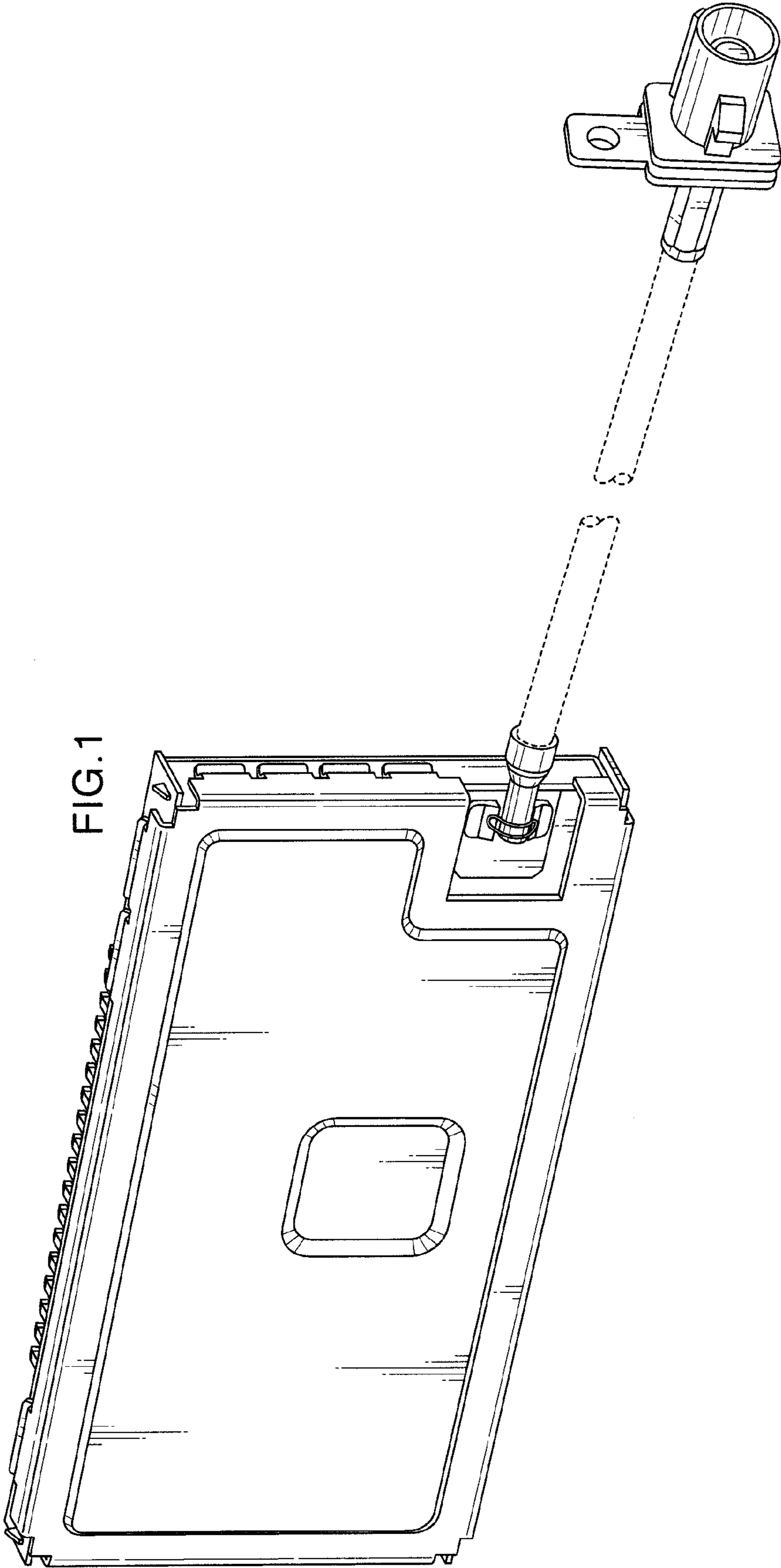


FIG. 1

FIG.2

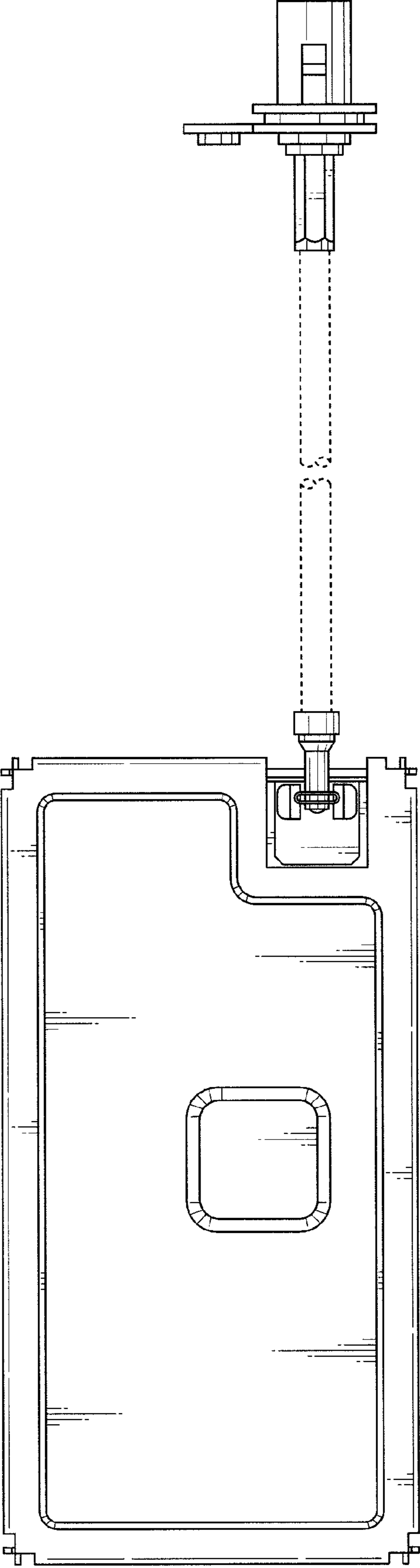


FIG.3

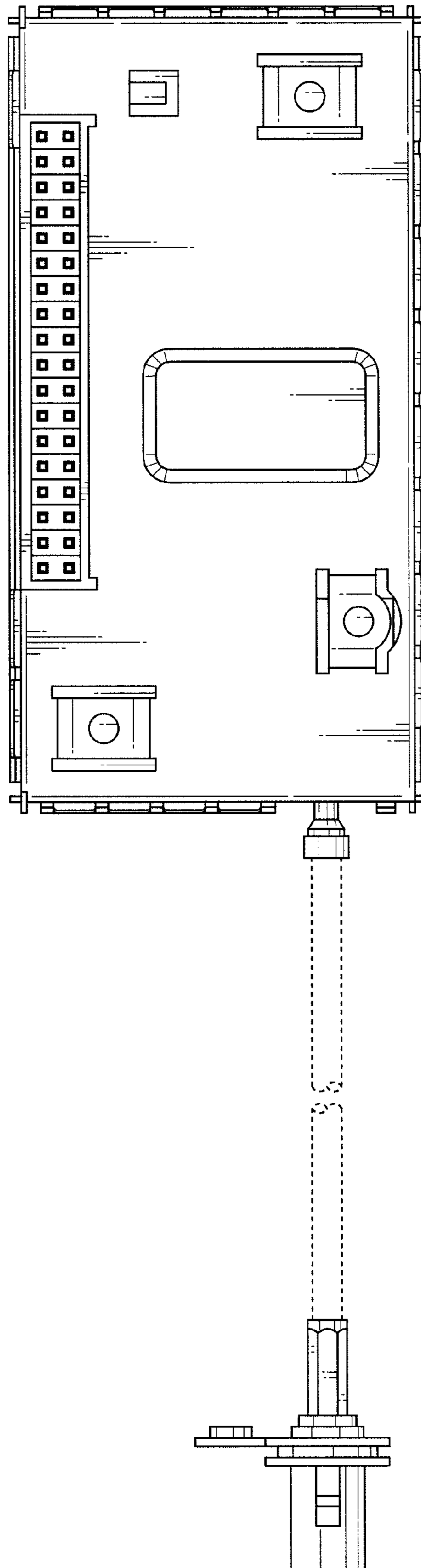


FIG. 5

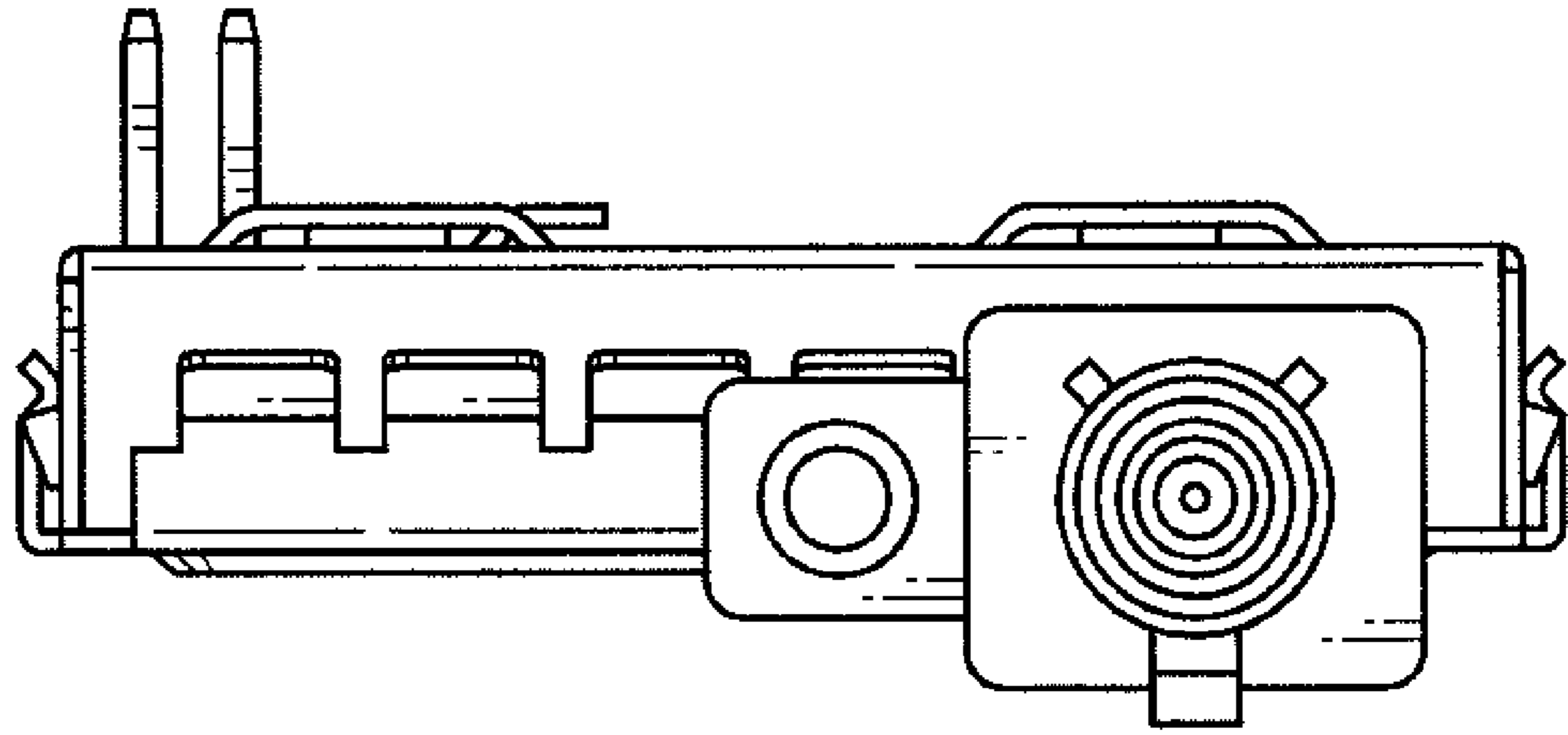


FIG. 4

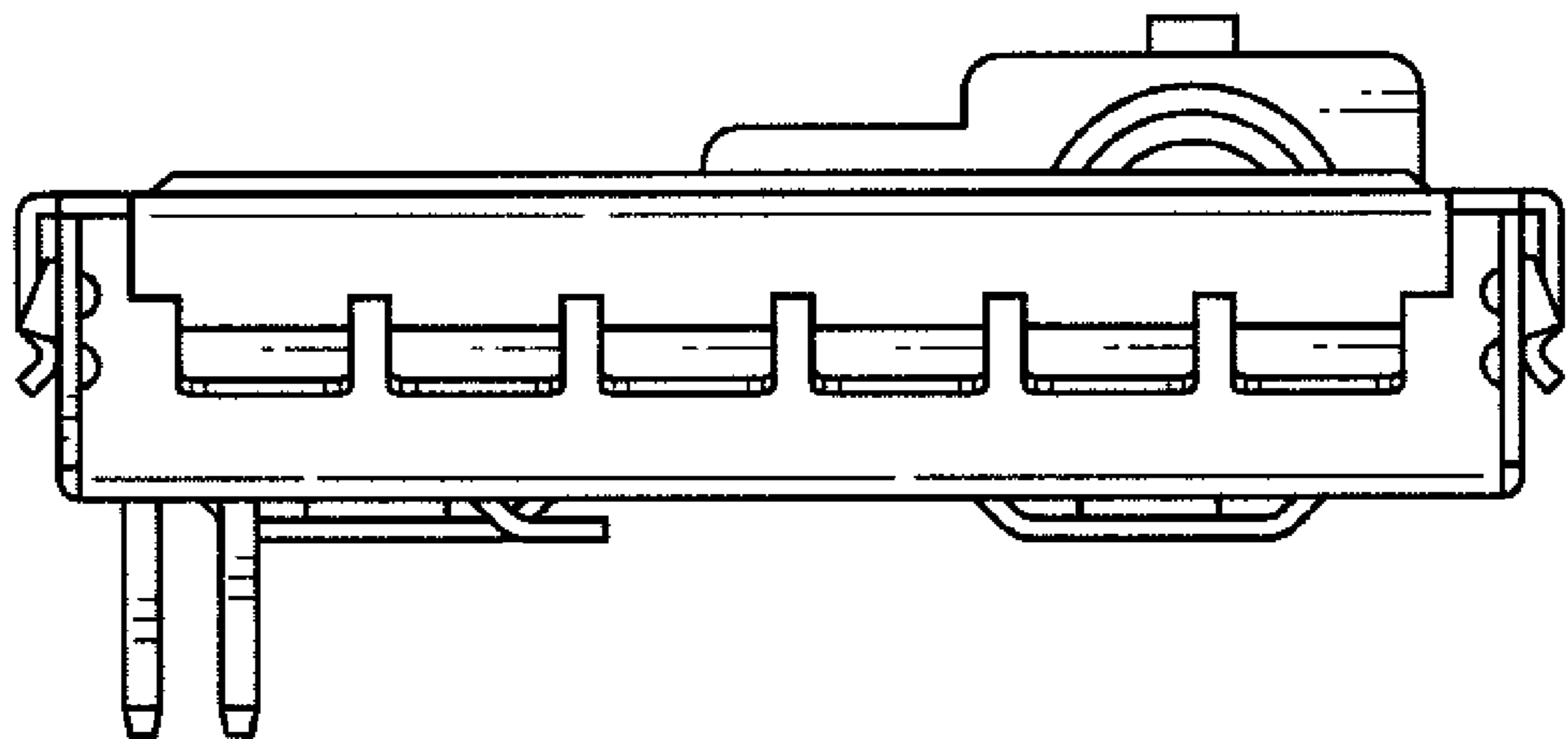


FIG. 6

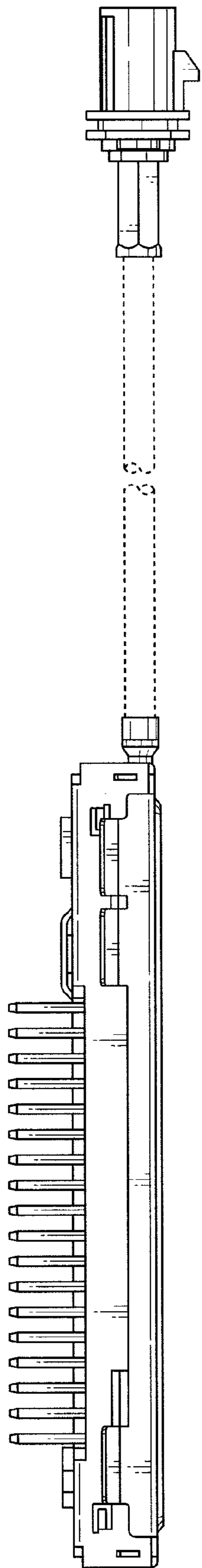
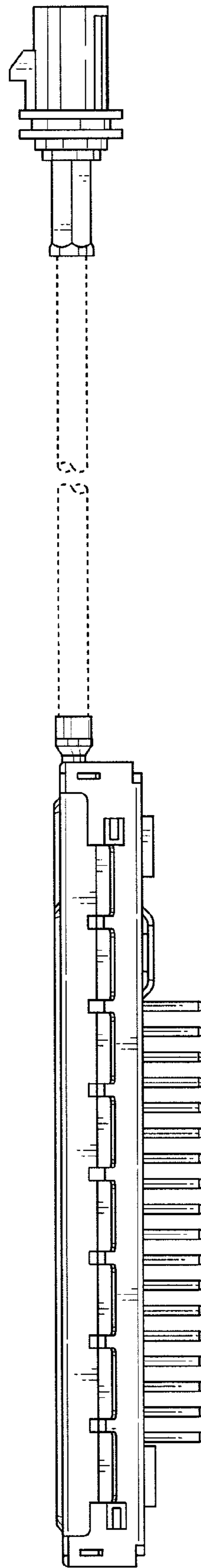


FIG. 7



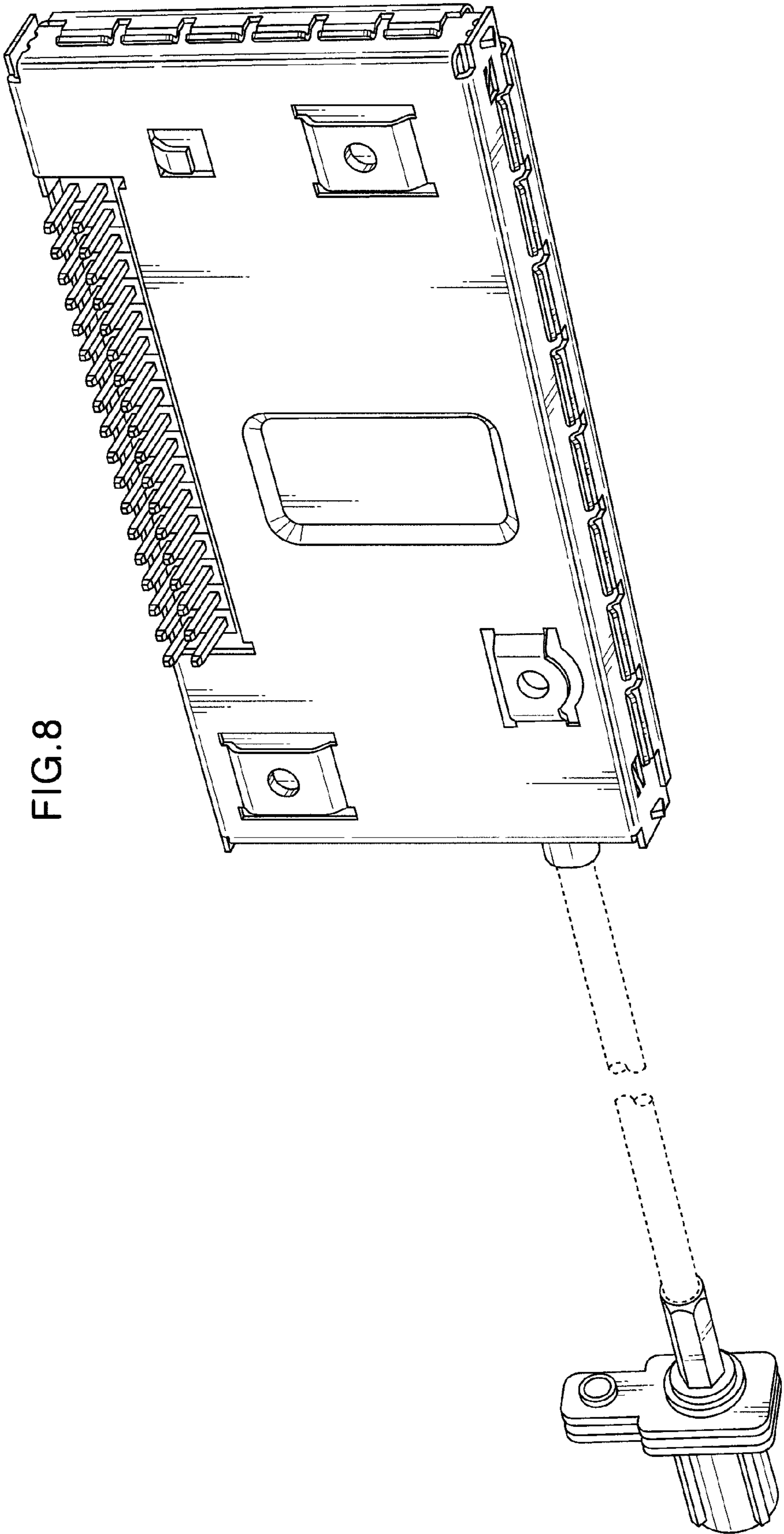


FIG. 8