



US00D604703S

(12) **United States Design Patent**  
**Peterson et al.**

(10) **Patent No.:** **US D604,703 S**

(45) **Date of Patent:** **\*\* Nov. 24, 2009**

(54) **ELECTRONICS FRONT COVER PANEL**

2007/0172227 A1 7/2007 Droege

(75) Inventors: **Ericka A. Peterson**, Lonsdale, MN (US); **Richard A. Schwartz**, Faribault, MN (US)

FOREIGN PATENT DOCUMENTS

WO 03/047240 A2 6/2003

(73) Assignee: **Rosemount Aerospace Inc.**, Burnsville, MN (US)

OTHER PUBLICATIONS

(\*\*) Term: **14 Years**

Cabin Video Surveillance and Visual Awareness System Overview, ASG, Inc., Sep. 26, 2006, pp. 1-23.

(21) Appl. No.: **29/326,369**

In-Flight Video Security Systems, Goodrich Corporation, Aug. 2003, p. 1.

(22) Filed: **Oct. 16, 2008**

Sensor Systems—MFD Video System, Goodrich Corporation, May 2006, pp. 1-2.

**Related U.S. Application Data**

(63) Continuation-in-part of application No. 12/242,253, filed on Sep. 30, 2008.

Sensor Systems—Electroinc Flight Bag System, Goodrich Corporation, May 2006, pp. 1-4.

(51) **LOC (9) Cl.** ..... **13-03**

(52) **U.S. Cl.** ..... **D13/177; D13/162**

(58) **Field of Classification Search** ..... D13/162, D13/177, 184; D10/104; 250/221; 340/573.1; 396/153

Sensor Systems—EFB Video System, Goodrich Corporation, May 2006—pp. 1-2.

Sensor Systems—Video Surveillance Systems, Goodrich Corporation, May 2006, pp. 1-4.

Supplementary European Search Report (EP 09 00 7891, mailed: Aug. 26, 2009).

See application file for complete search history.

\* cited by examiner

*Primary Examiner*—Selina Sikder

(74) *Attorney, Agent, or Firm*—Womble Carlyle Sandridge & Rice, PLLC

(56) **References Cited**

U.S. PATENT DOCUMENTS

- 4,803,557 A 2/1989 Bridges
- D305,420 S \* 1/1990 Bujak et al. .... D13/177
- D399,495 S \* 10/1998 Bachschmid ..... D13/177
- 5,867,099 A \* 2/1999 Keeter ..... 340/567
- 6,072,529 A 6/2000 Mutze
- 6,097,300 A \* 8/2000 Wei ..... 340/693.5
- 6,285,287 B1 \* 9/2001 Jones et al. .... 340/573.1
- 6,316,778 B1 \* 11/2001 Goodman et al. .... 250/551
- 6,696,957 B2 \* 2/2004 Shepher ..... 340/573.1
- 6,834,162 B1 \* 12/2004 Schnell ..... 396/153
- 7,198,227 B2 4/2007 Olin
- 7,265,670 B2 \* 9/2007 Pantus et al. .... 340/541
- D563,331 S \* 3/2008 Rosen et al. .... D13/177
- 7,459,672 B2 \* 12/2008 Jensen et al. .... 250/221
- 2003/0137426 A1 7/2003 Anthony

(57) **CLAIM**

The ornamental design for a electronics front cover panel, as shown and described.

**DESCRIPTION**

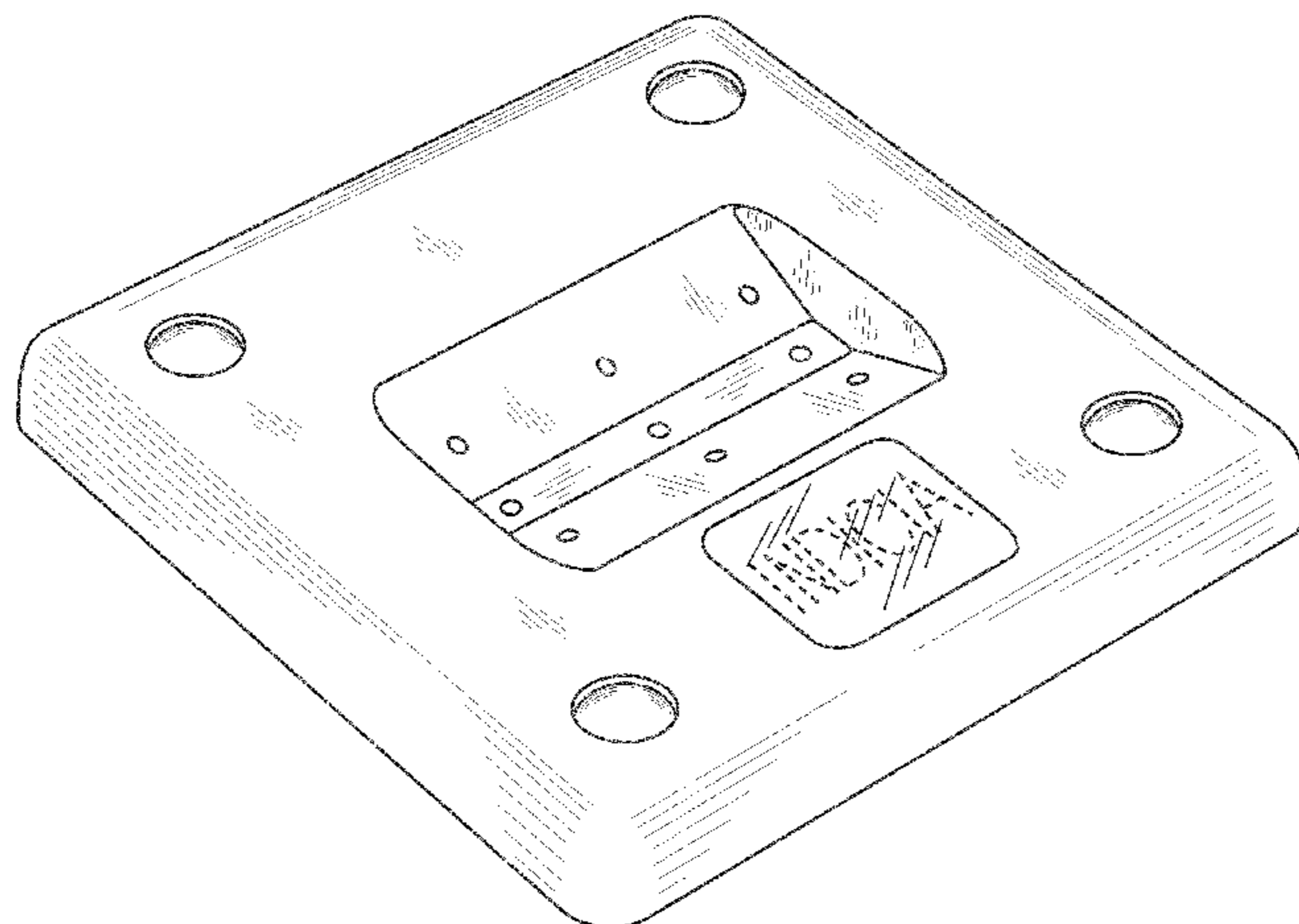
FIG. 1 is a top left perspective view of a electronics front cover panel showing our new design;

FIG. 2 is a plan view thereof; and,

FIG. 3 is a left side view thereof; the right, front and rear side views being identical thereto.

Indicia rendered in broken lines in the drawings are for illustrative purposes only and are hereby disclaimed as forming part of the claimed invention. The views of the electronics front cover panel not shown form no part of the claimed design.

**1 Claim, 3 Drawing Sheets**



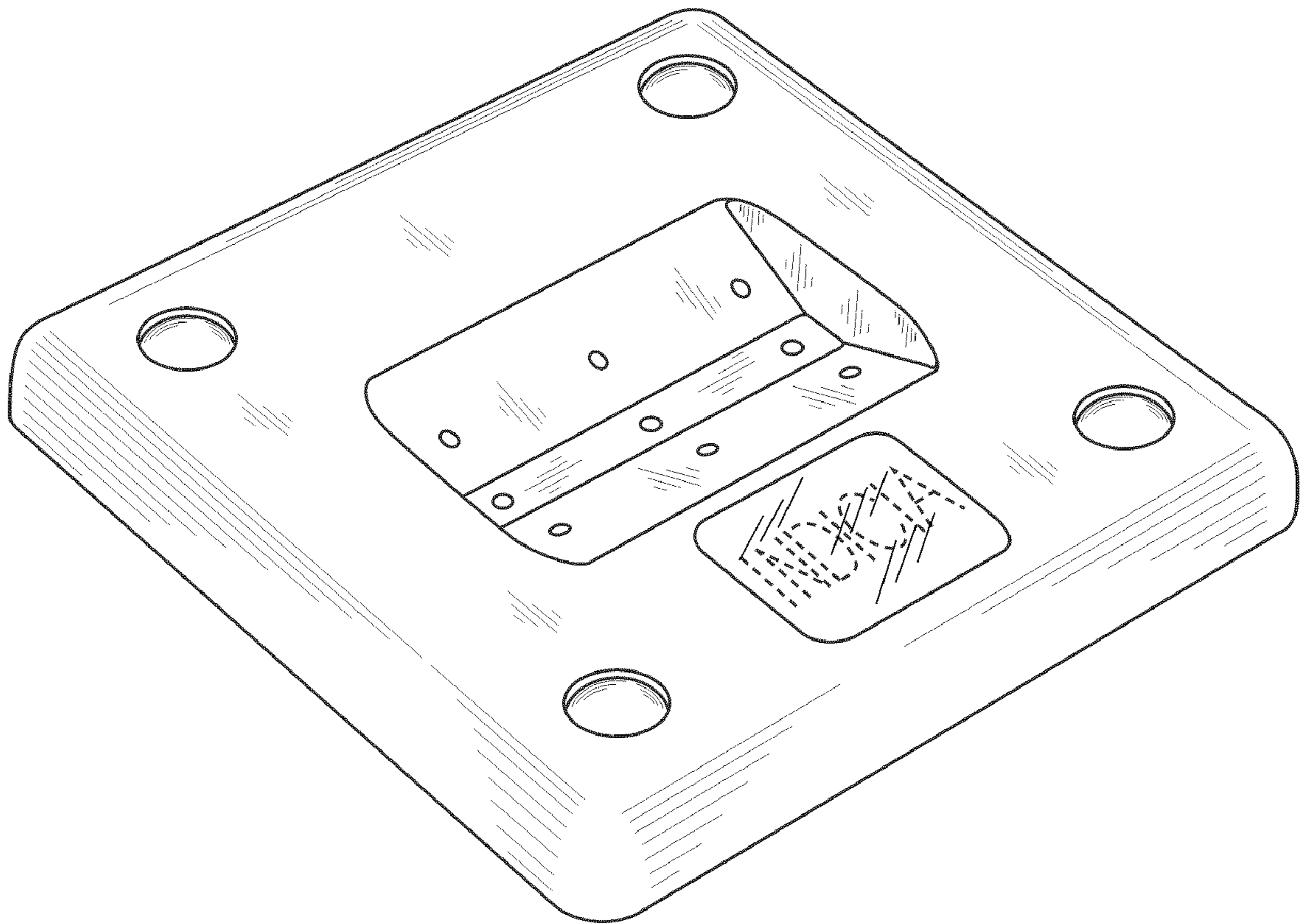


FIG. 1

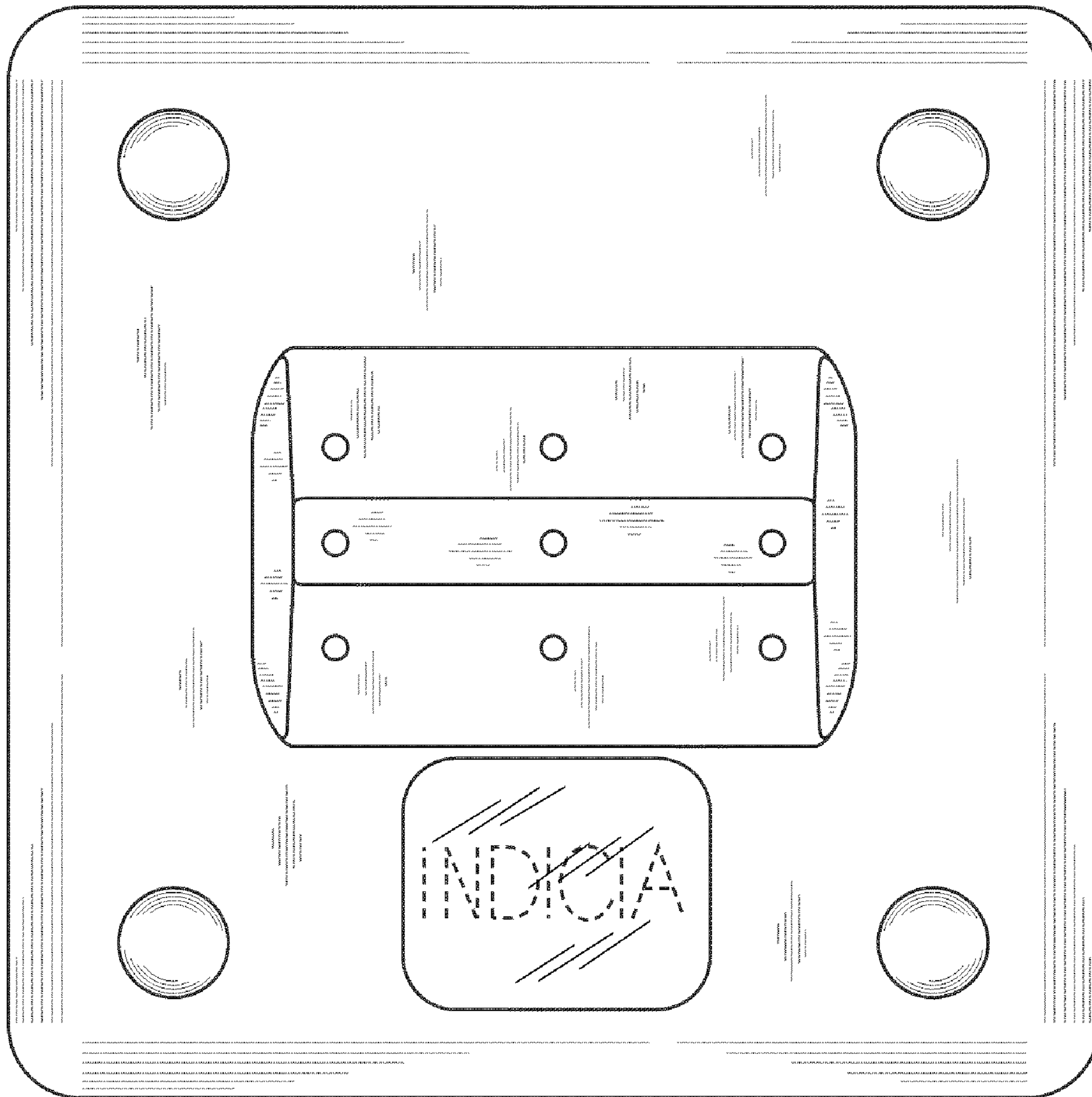


FIG. 2



**FIG. 3**