

US00D604702S

(12) **United States Design Patent**
Felegy, Jr. et al.

(10) **Patent No.:** **US D604,702 S**
(45) **Date of Patent:** **** Nov. 24, 2009**

(54) **REMOTE CONTROL**

(75) Inventors: **Edward M. Felegy, Jr.**, Macungie, PA (US); **Gregory M. Snyder**, Germansville, PA (US); **Gregory Altonen**, Easton, PA (US); **Elliot G. Jacoby**, Glenside, PA (US); **Noel Mayo**, Philadelphia, PA (US); **Joel S. Spira**, Coopersburg, PA (US)

(73) Assignee: **Lutron Electronics Co., Inc.**, Coopersburg, PA (US)

(**) Term: **14 Years**

(21) Appl. No.: **29/335,133**

(22) Filed: **Apr. 9, 2009**

Related U.S. Application Data

(62) Division of application No. 29/306,219, filed on Apr. 4, 2008, now Pat. No. Des. 592,606.

(51) **LOC (9) Cl.** **14-03**

(52) **U.S. Cl.** **D13/168**

(58) **Field of Classification Search** D13/168;
D10/104, 106; D14/218, 247; 340/825.22,
340/825.24, 825.25, 825.31, 825.36, 825.69,
340/825.72; 341/76; 455/352

See application file for complete search history.

(56) **References Cited**

U.S. PATENT DOCUMENTS

- D309,890 S * 8/1990 Cheng D13/168
- D313,973 S * 1/1991 Walker D13/168
- 5,036,168 A * 7/1991 Kikuchi et al. 200/5 R
- D320,786 S * 10/1991 Darnell et al. D13/171
- D323,488 S 1/1992 Darnell et al.
- D330,013 S * 10/1992 Wunsch D13/168
- D348,435 S * 7/1994 Farinelli et al. D13/168
- D353,798 S 12/1994 Bryde et al.
- D374,190 S * 10/1996 Yuen D10/114
- D391,878 S * 3/1998 Alleyne D10/104

- D391,924 S 3/1998 Mayo et al.
- D392,202 S * 3/1998 Nitzberg D10/106
- D407,695 S * 4/1999 Hwang D13/168
- D418,769 S * 1/2000 Yuen D10/106

(Continued)

OTHER PUBLICATIONS

Lutron Electronics Co., Inc., RadioRA Visor Control Transmitter Specification Submittal Sheet, Jan. 2002, 2 pages.

(Continued)

Primary Examiner—Selina Sikder

(74) *Attorney, Agent, or Firm*—Mark E. Rose; Philip N. Smith

(57) **CLAIM**

We claim the ornamental design for a remote control, as shown and described.

DESCRIPTION

FIG. 1 is a perspective view of a remote control according to a first embodiment of our new design.

FIG. 2 is a front view thereof.

FIG. 3 is a rear view thereof.

FIG. 4 is a left side view thereof.

FIG. 5 is a right side view thereof.

FIG. 6 is a top view thereof.

FIG. 7 is a bottom view thereof.

FIG. 8 is a perspective view of a remote control according to a second embodiment of our new design.

FIG. 9 is a front view thereof.

FIG. 10 is a rear view thereof.

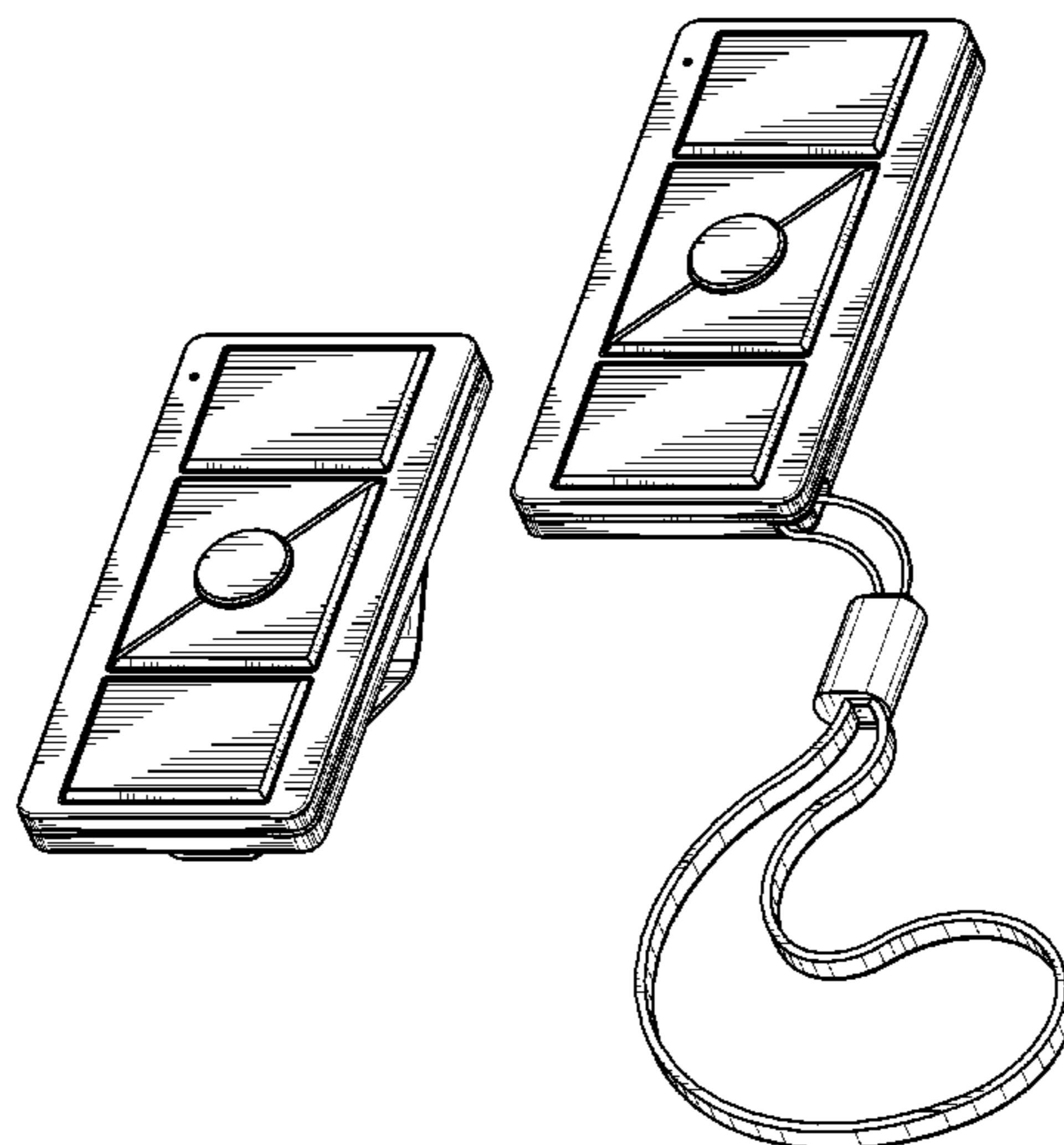
FIG. 11 is a left side view thereof.

FIG. 12 is a right side view thereof.

FIG. 13 is a top view thereof; and,

FIG. 14 is a bottom view thereof.

1 Claim, 9 Drawing Sheets



US D604,702 S

Page 2

U.S. PATENT DOCUMENTS

D422,567 S	4/2000	Mayo et al.	
D437,585 S	2/2001	Mayo et al.	
D439,220 S	3/2001	Mayo et al.	
D450,043 S	11/2001	Mosebrook	
D496,335 S	9/2004	Spira	
D518,447 S	4/2006	Spira	
D525,948 S	8/2006	Blair et al.	
D527,711 S	9/2006	Spira et al.	
D528,992 S	9/2006	Hobart et al.	
D537,046 S	2/2007	Blair et al.	
D539,234 S	3/2007	Blair et al.	
D539,758 S	4/2007	Blair et al.	
D543,158 S	5/2007	Blair et al.	
D543,951 S	6/2007	Blair et al.	
D546,296 S	7/2007	Blair et al.	
D564,977 S *	3/2008	Youn et al.	D13/168
D573,955 S	2/2009	Bhate et al.	
D585,844 S	2/2009	Bhate et al.	
D592,606 S *	5/2009	Felegy et al.	D13/168
D592,607 S	5/2009	Felegy, Jr. et al.	
D592,608 S	5/2009	Felegy, Jr. et al.	
D592,609 S	5/2009	Felegy, Jr. et al.	
D592,611 S	5/2009	Altonen et al.	
2008/0111491 A1	5/2008	Spira	
2008/0218099 A1	9/2008	Newman	

OTHER PUBLICATIONS

Lutron Electronics Co., Inc., RadioRA Visor Control Transmitter Installation Instruction Sheet, Nov. 2001, 2 pages.
Lutron Electronics Co., Inc., Aurora Wireless Lighting Control Brochure, Nov. 2006, 2 pages.
Lutron Electronics Co., Inc., Maestro Wireless Remote Lighting Control Brochure, Sep. 2007, 2 pages.

* cited by examiner

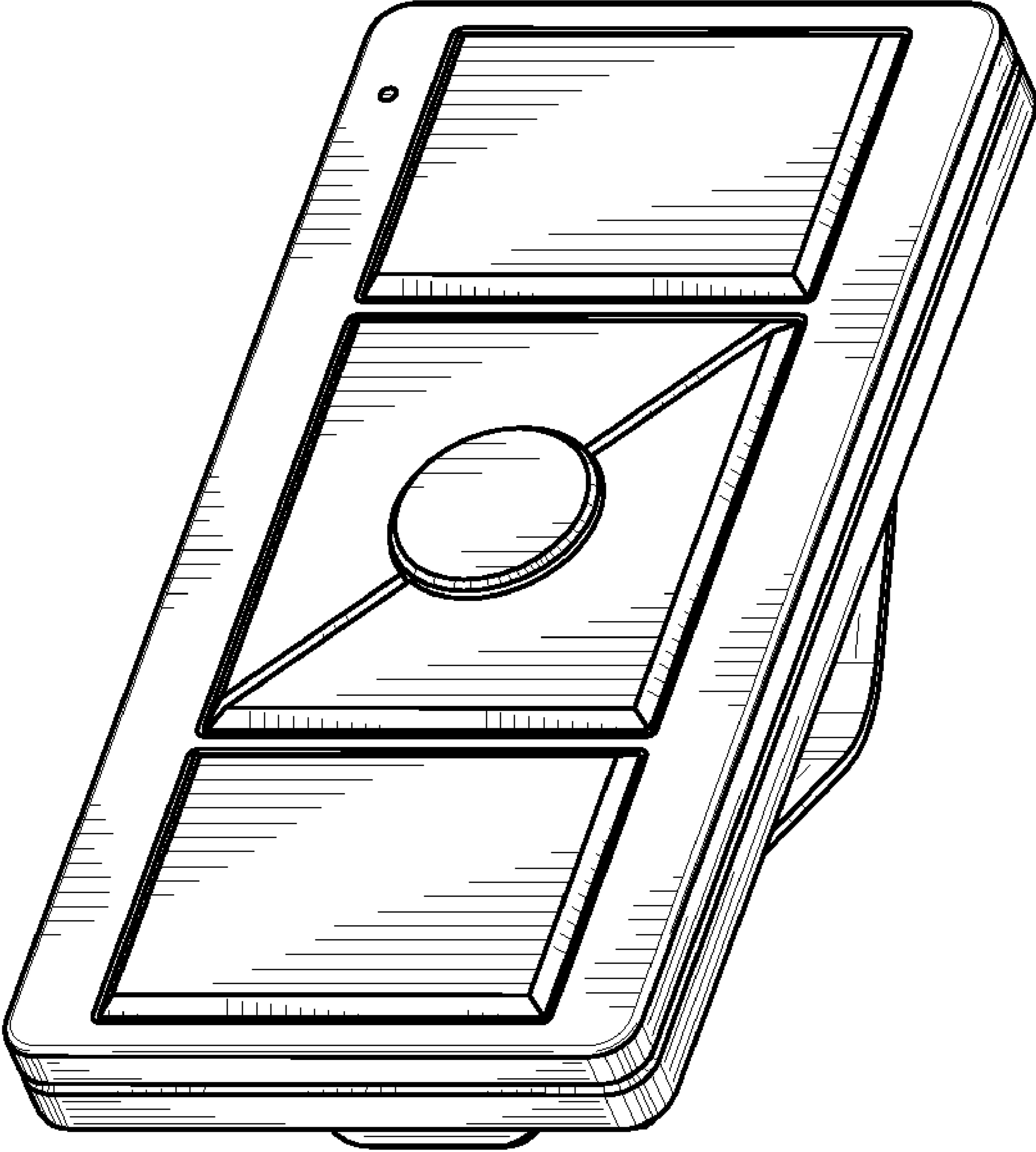


Fig. 1

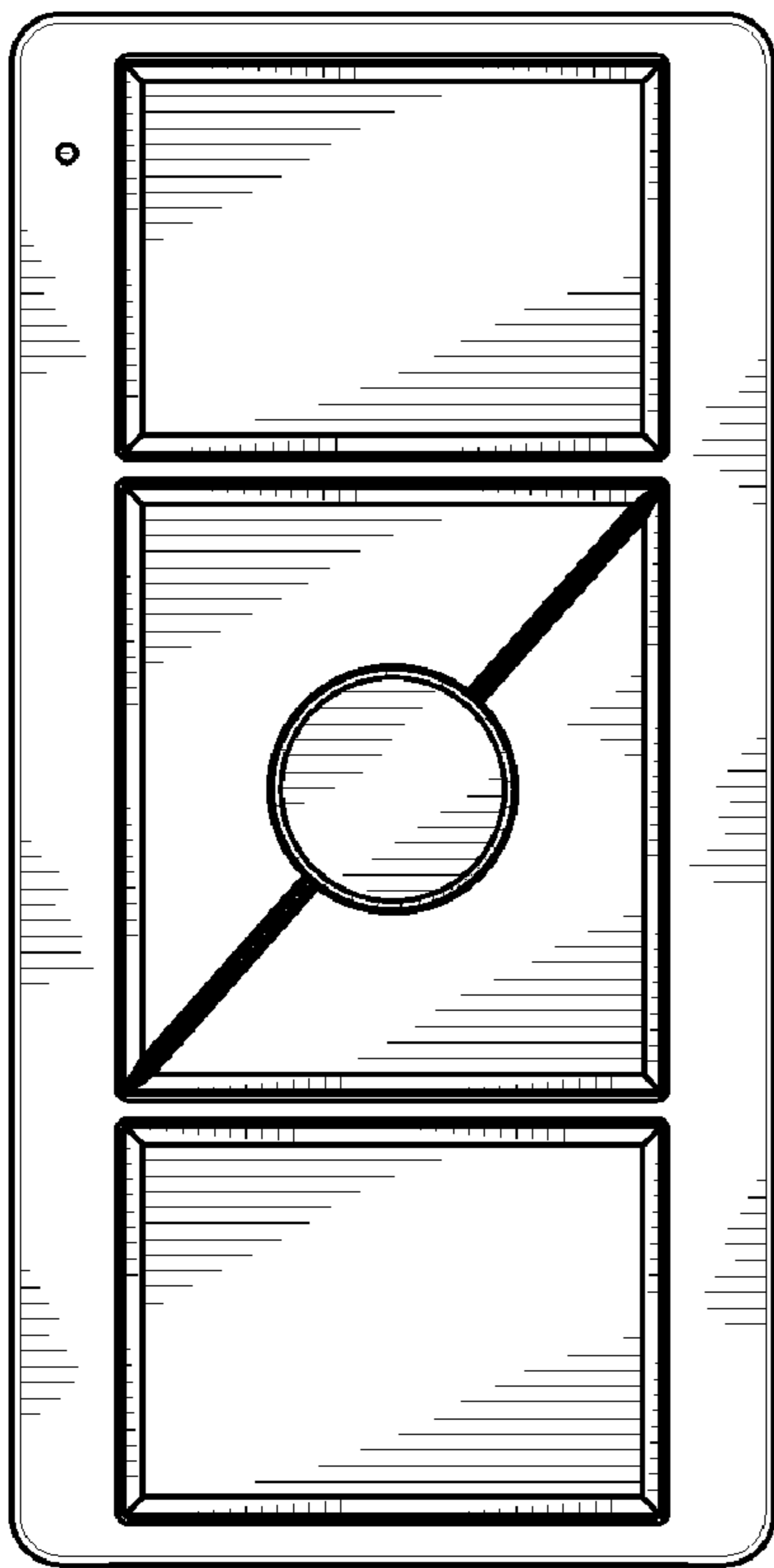


Fig. 2

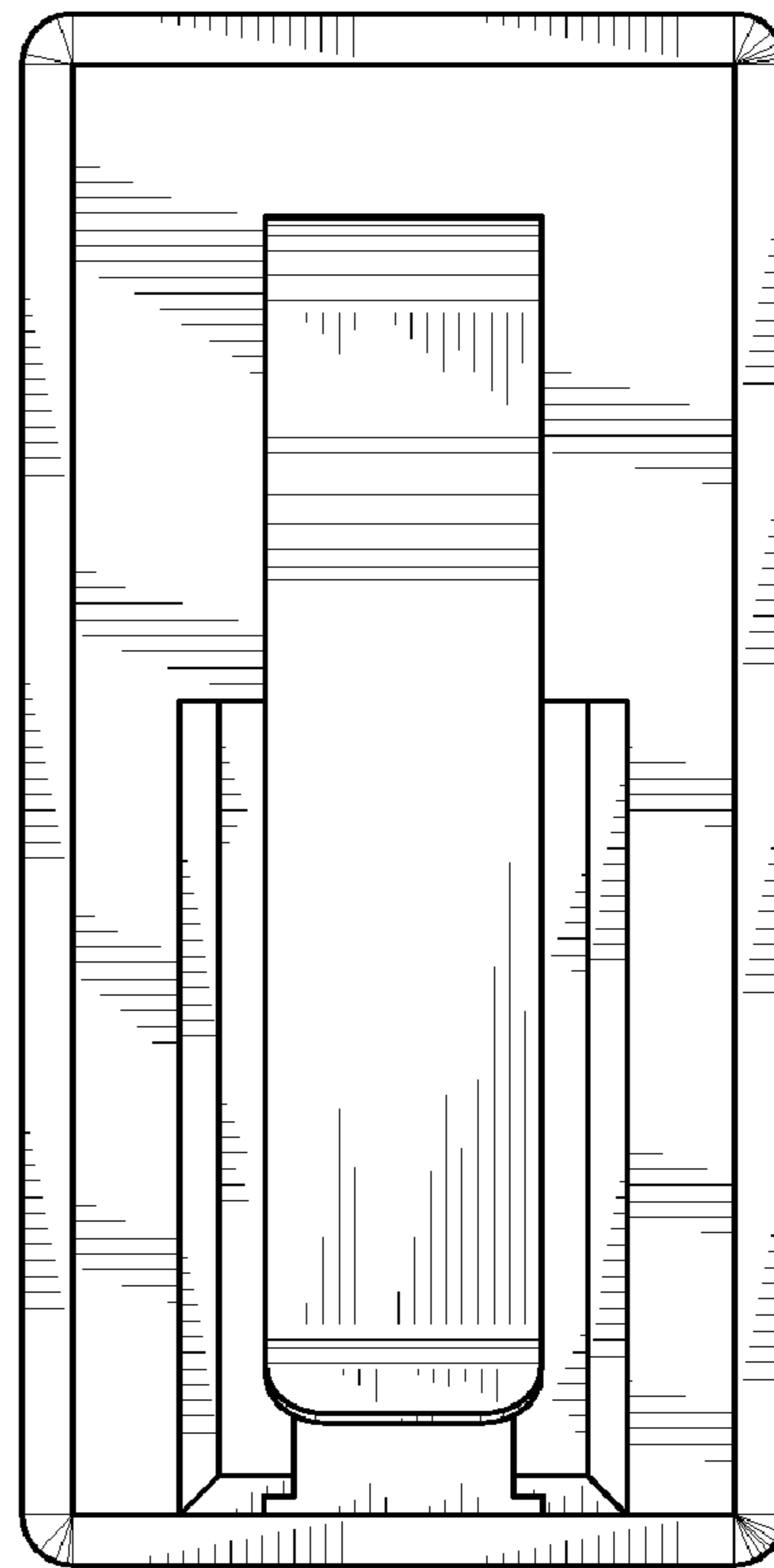


Fig. 3

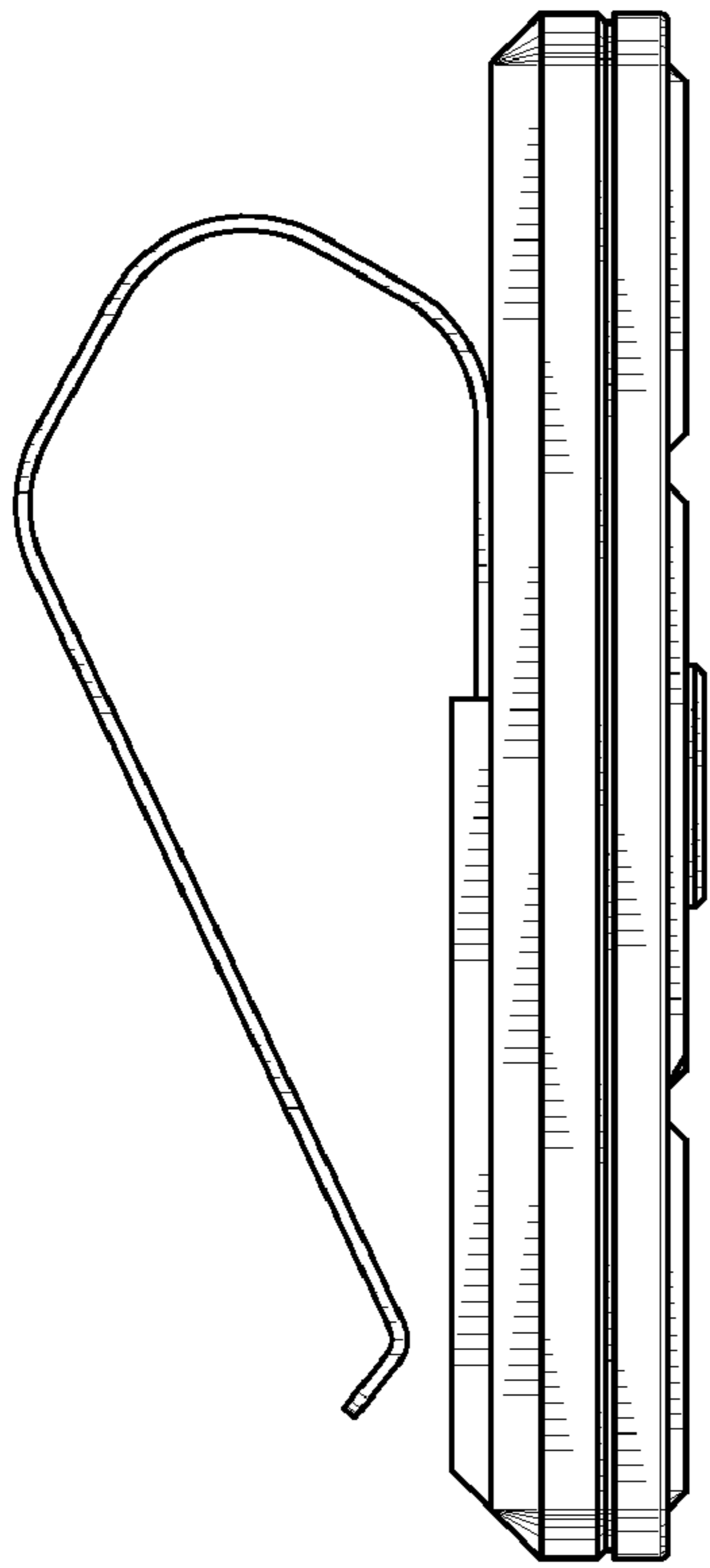


Fig. 4

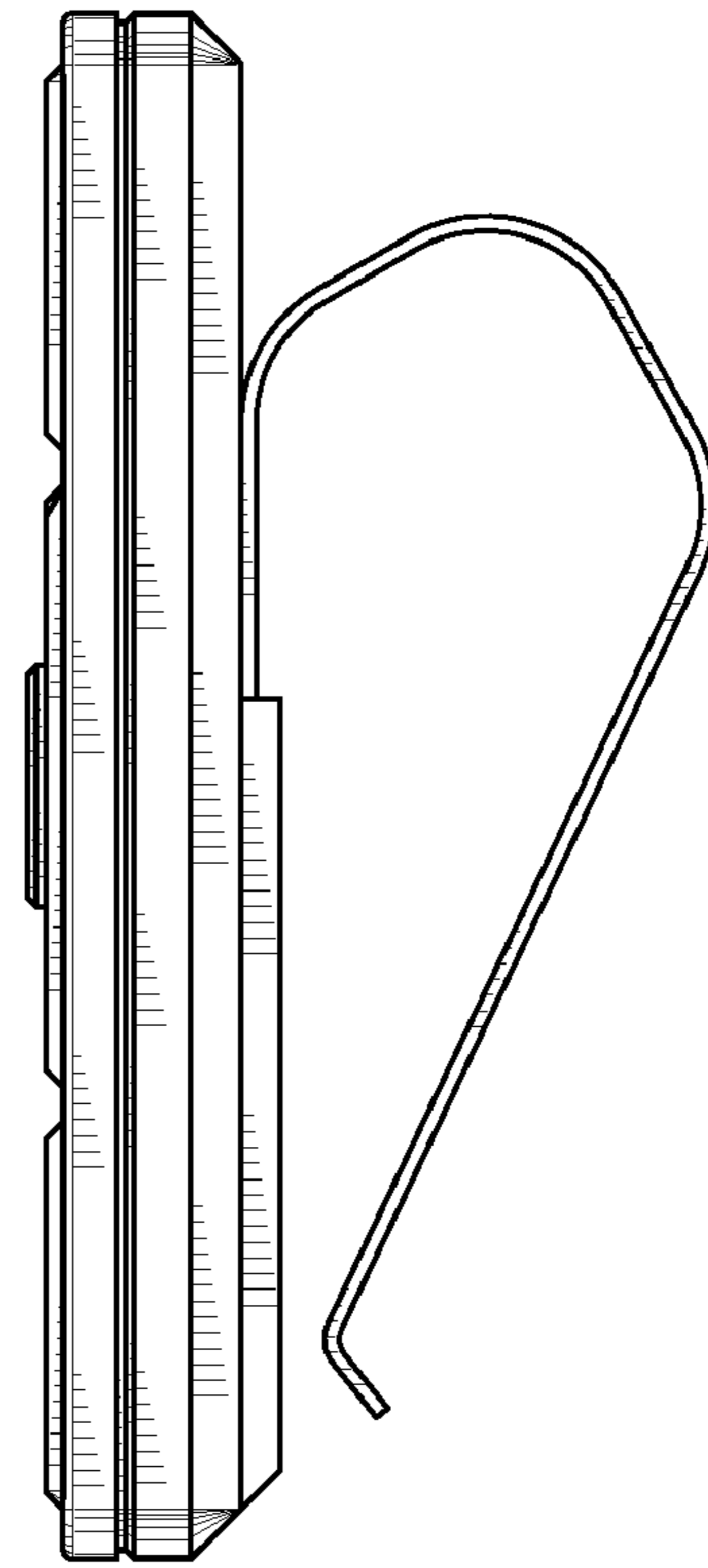


Fig. 5

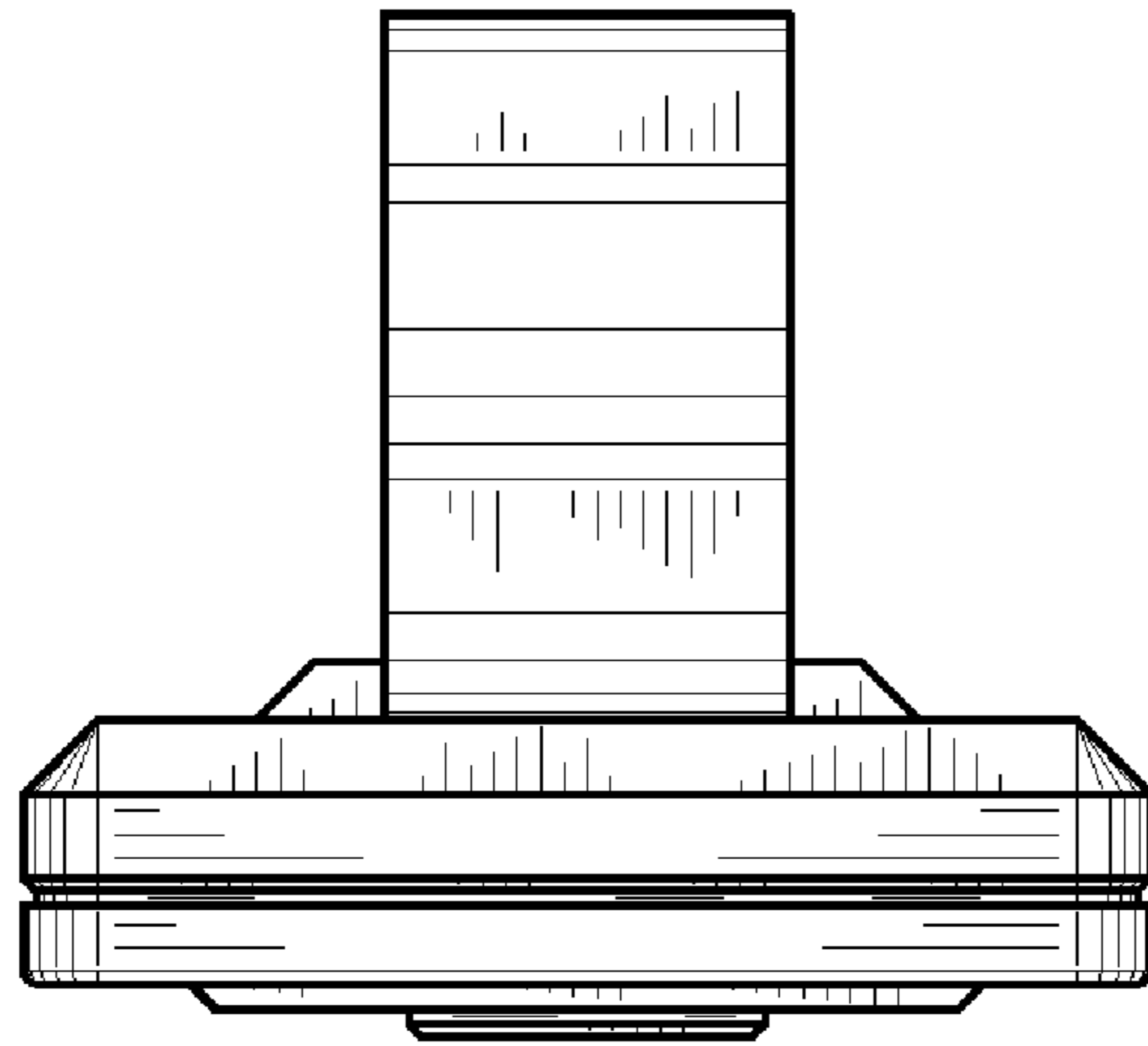


Fig. 6

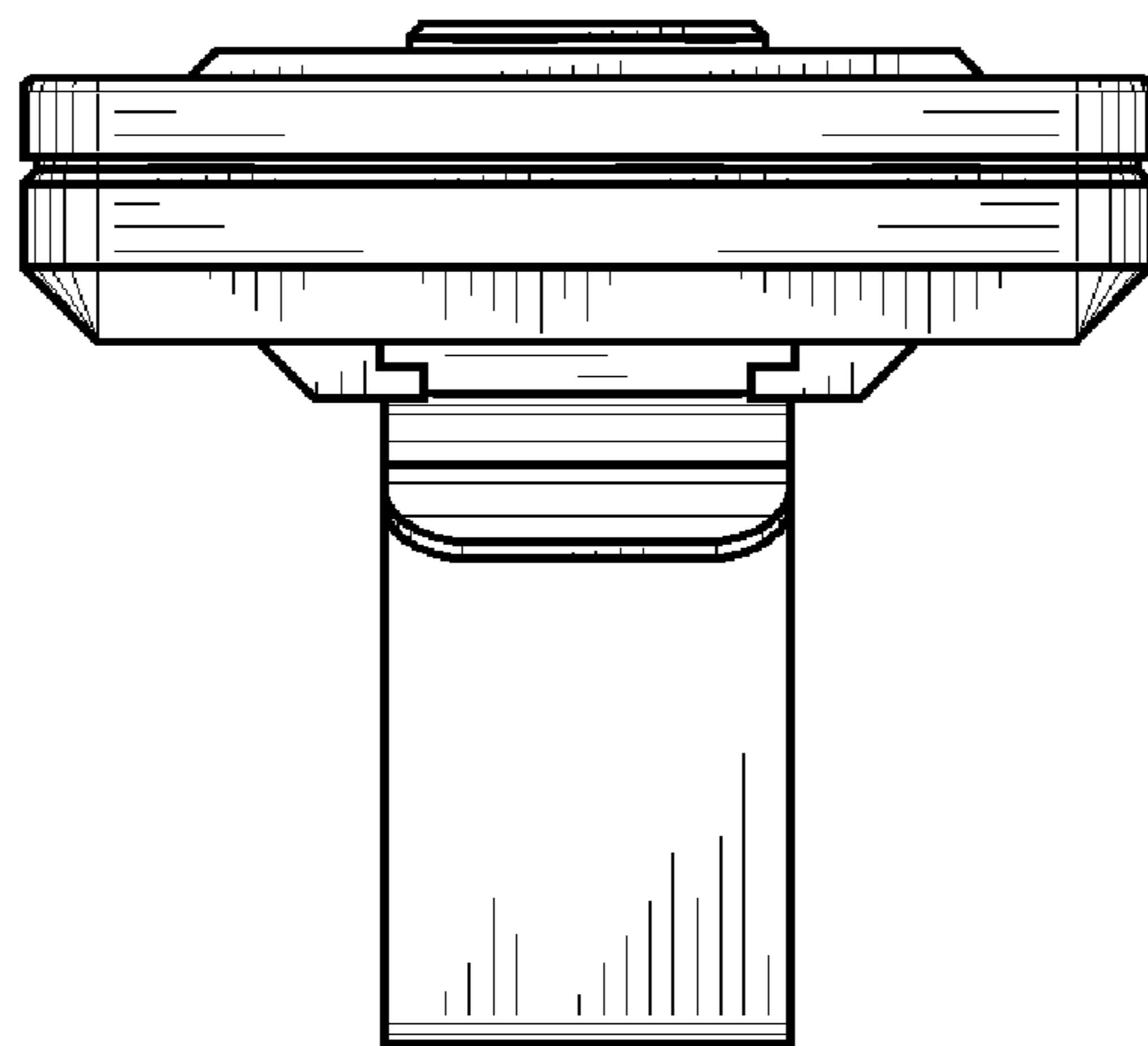


Fig. 7

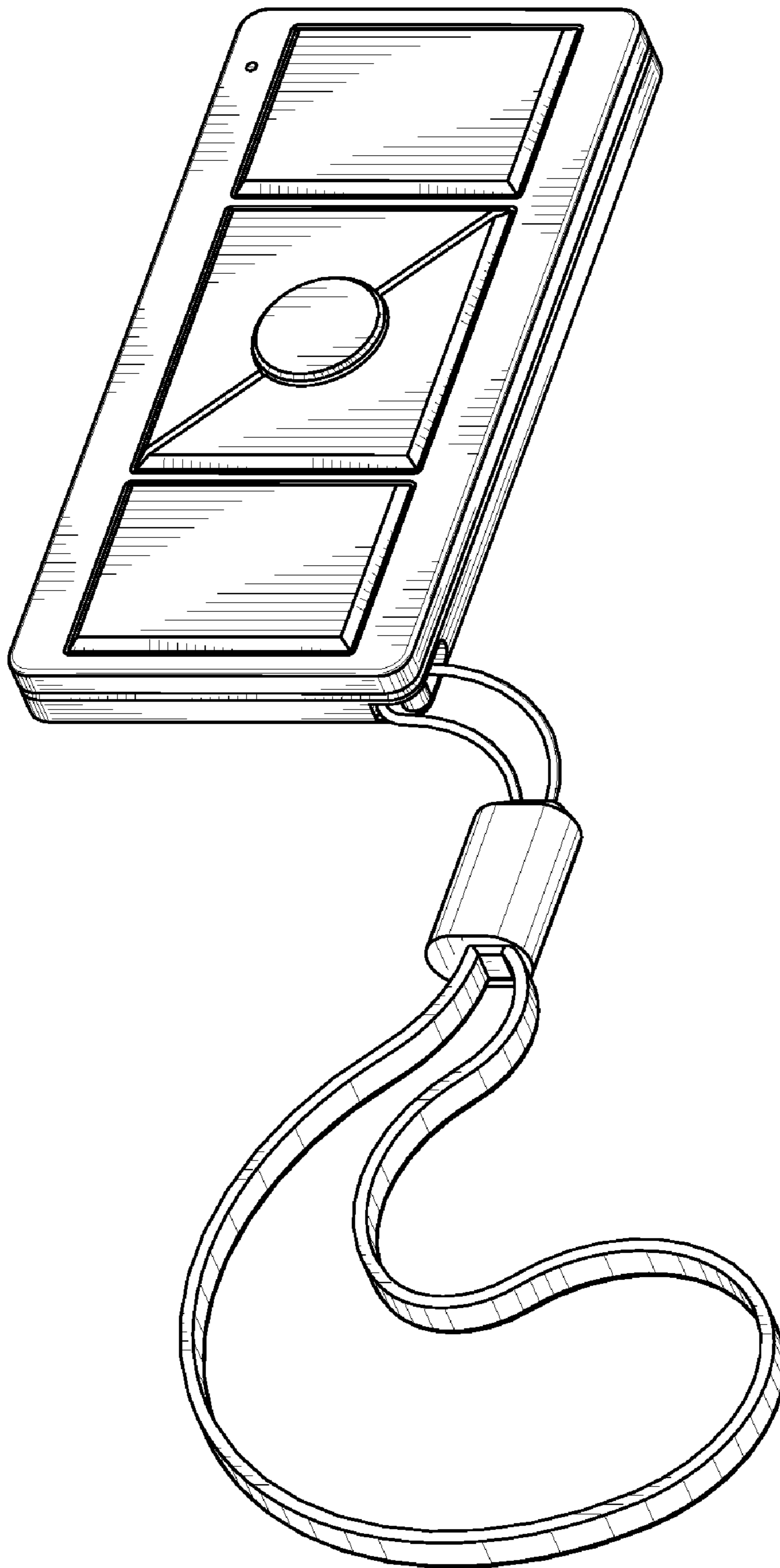


Fig. 8

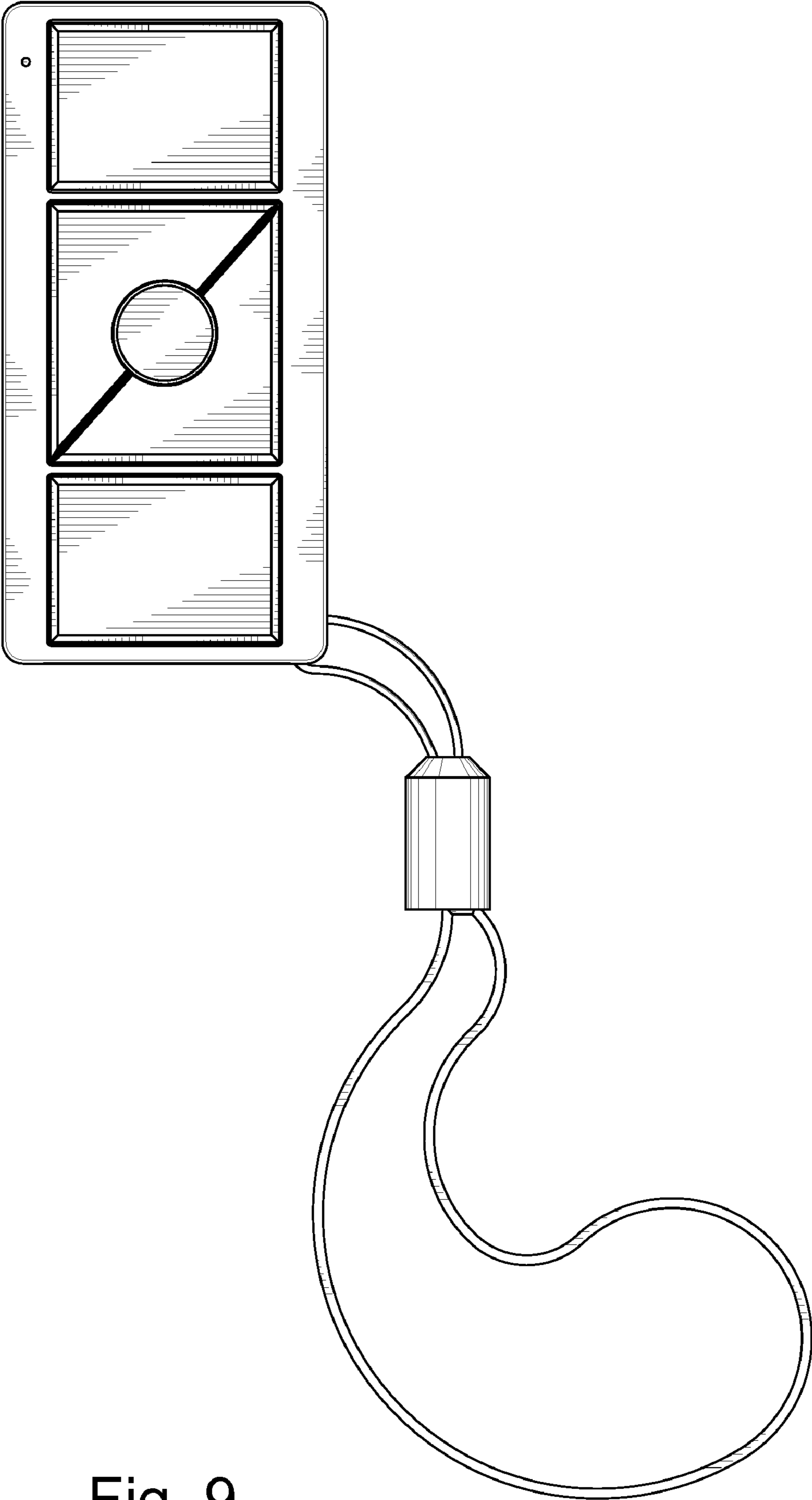


Fig. 9

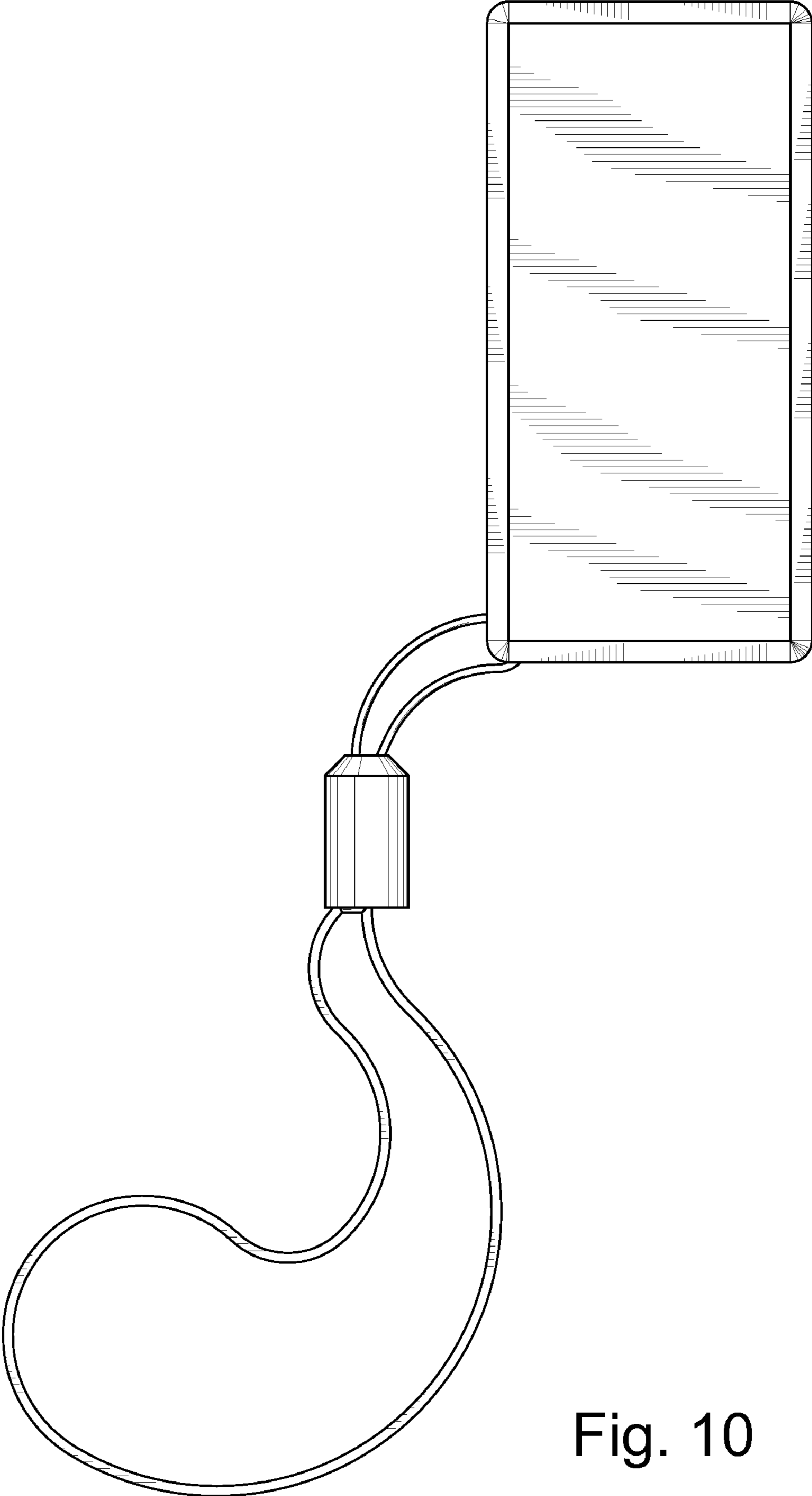


Fig. 10

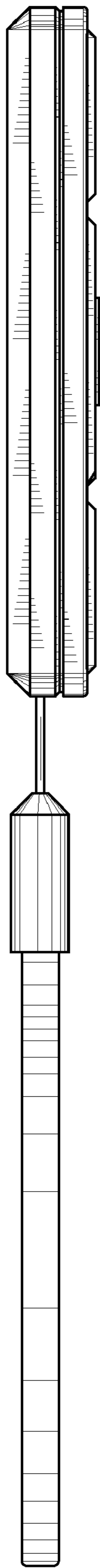


Fig. 11

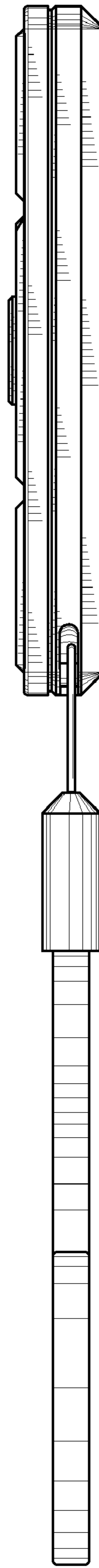


Fig. 12

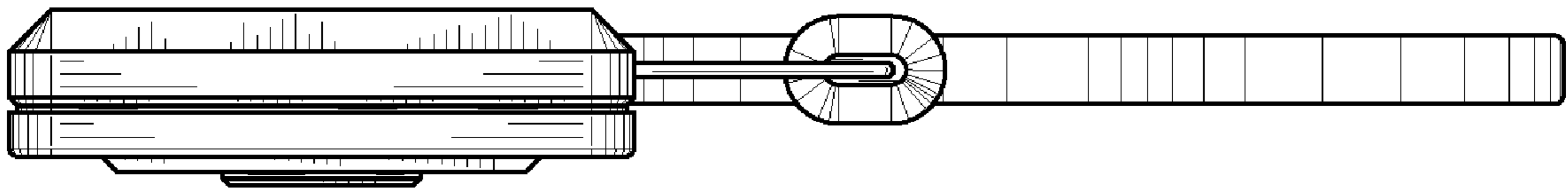


Fig. 13

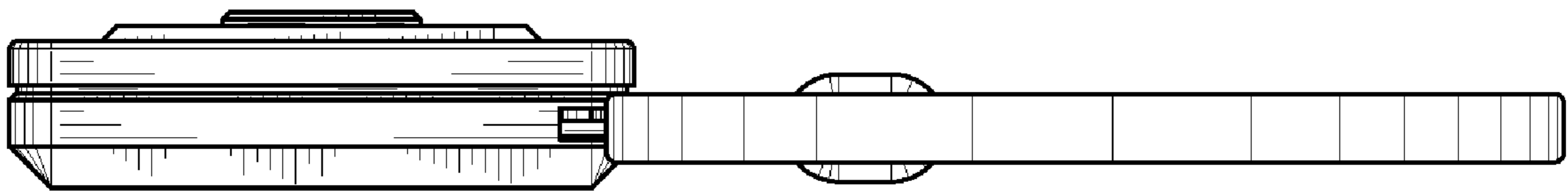


Fig. 14