



US00D604700S

(12) **United States Design Patent**
Asano

(10) **Patent No.:** **US D604,700 S**

(45) **Date of Patent:** **** Nov. 24, 2009**

(54) **ELECTRICAL CONNECTOR**

(75) Inventor: **Takao Asano**, Gunma (JP)

(73) Assignee: **Hosiden Corporation**, Osaka (JP)

(**) Term: **14 Years**

(21) Appl. No.: **29/323,420**

(22) Filed: **Aug. 26, 2008**

(30) **Foreign Application Priority Data**

Feb. 29, 2008 (JP) 2008-004750

(51) **LOC (9) Cl.** **13-03**

(52) **U.S. Cl.** **D13/147**

(58) **Field of Classification Search** D13/146-147,
D13/154, 184; 439/527, 533, 476.1, 483,
439/607-610, 892, 894

See application file for complete search history.

(56) **References Cited**

U.S. PATENT DOCUMENTS

D517,994 S * 3/2006 Zhang et al. D13/147

7,121,887 B2 * 10/2006 Zhang et al. 439/607

D539,744 S * 4/2007 Hu et al. D13/147

D559,191 S * 1/2008 Arai et al. D13/147

D559,192 S * 1/2008 Arai et al. D13/147

2006/0128219 A1* 6/2006 Zhang et al. 439/607

* cited by examiner

Primary Examiner—Daniel D Bui

(74) *Attorney, Agent, or Firm*—Panitch Schwarze Belisario & Nadel LLP

(57) **CLAIM**

The ornamental design for an electrical connector, as shown and described.

DESCRIPTION

FIG. 1 is a front, right side and top perspective view of an electrical connector showing my new design;

FIG. 2 is a front, right side and bottom perspective view thereof;

FIG. 3 is a front elevation view thereof;

FIG. 4 is a rear view thereof;

FIG. 5 is a left side view thereof, a right side view being a mirror image thereof;

FIG. 6 is a top plan view thereof; and,

FIG. 7 is a bottom plan view thereof.

The broken line portion of the figure drawings is included to show unclaimed subject matter only and forms no part of the claimed design.

1 Claim, 3 Drawing Sheets

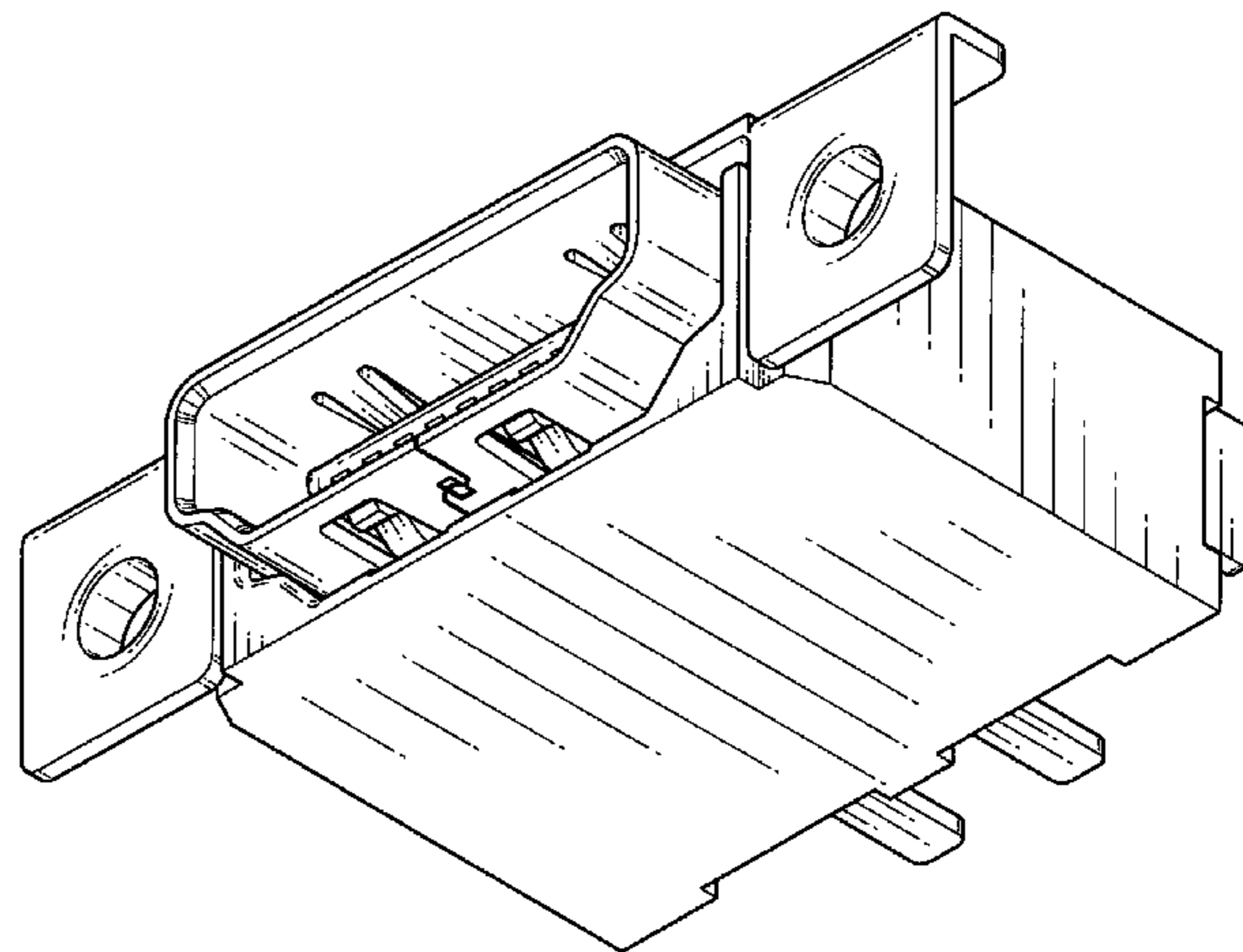
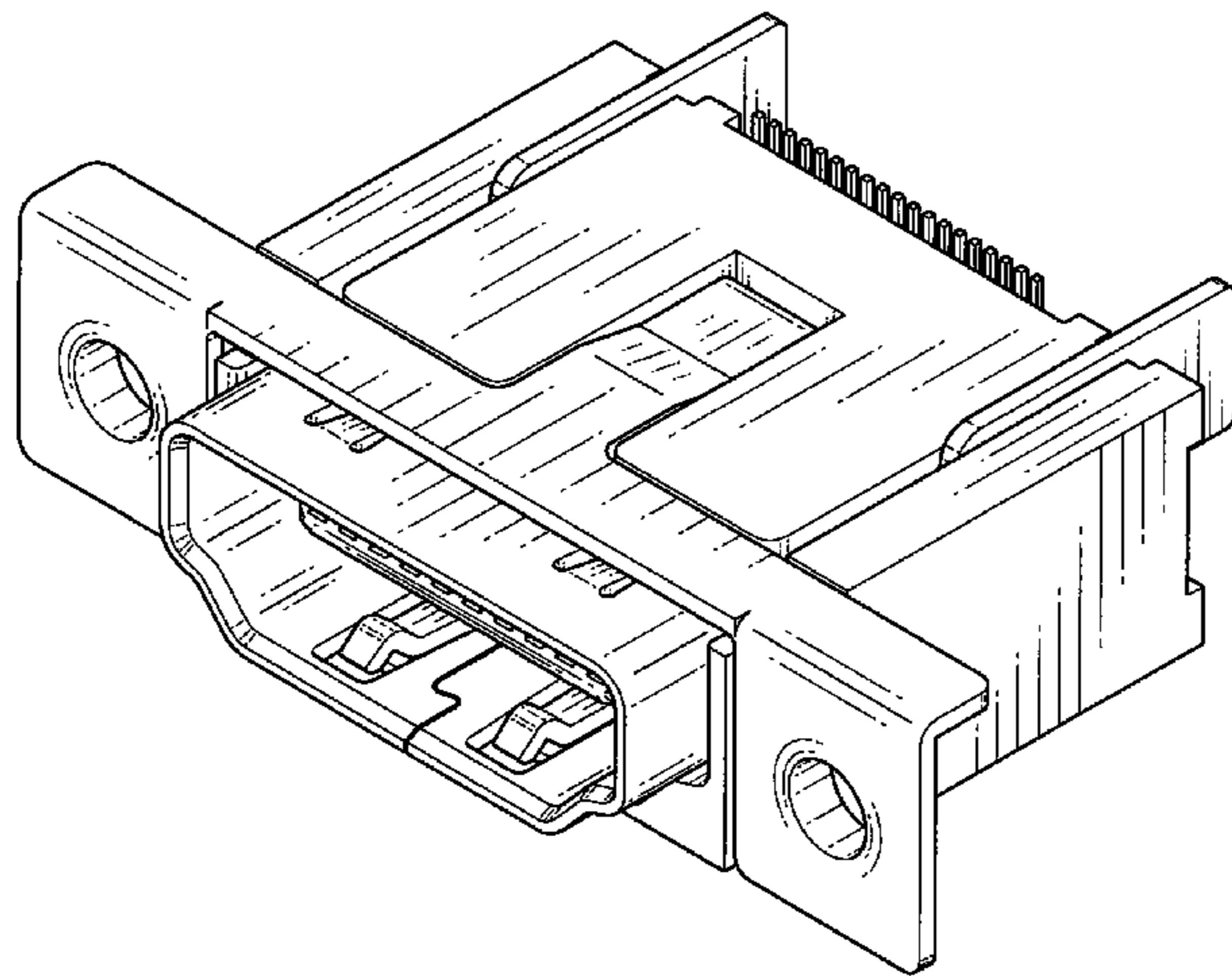


Fig. 1

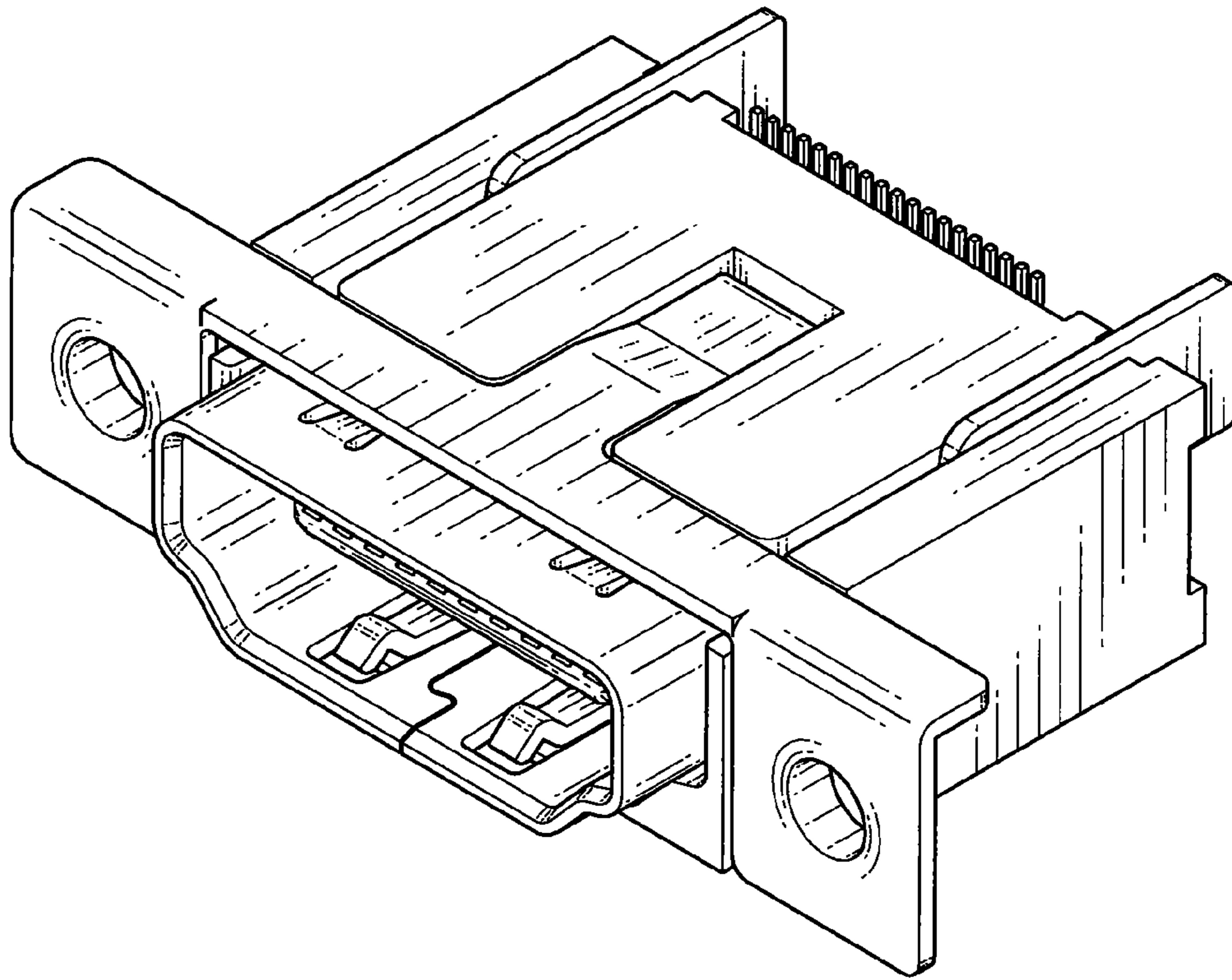


Fig. 2

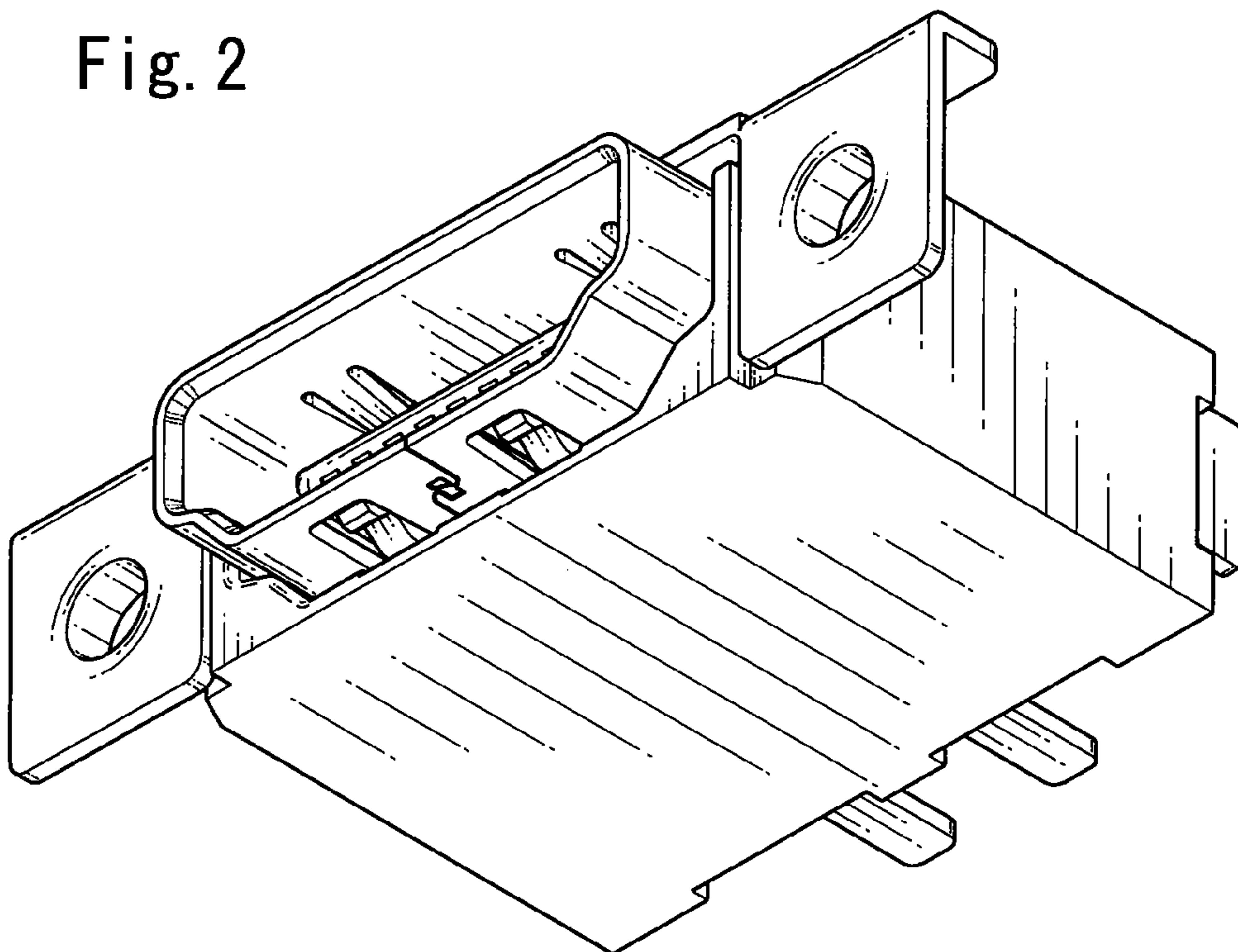


Fig. 3

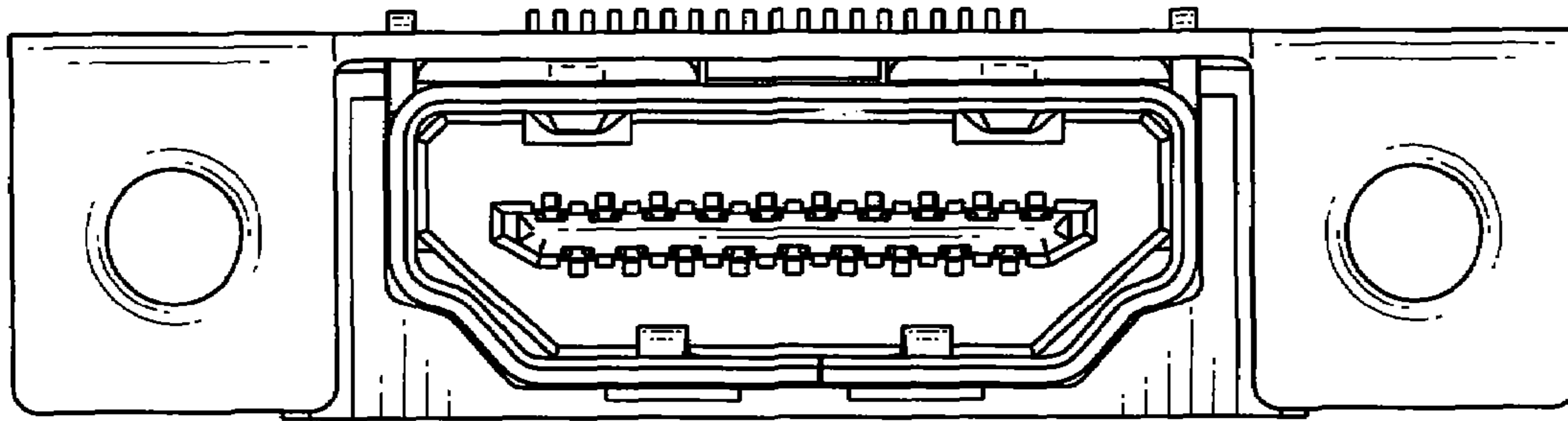


Fig. 4

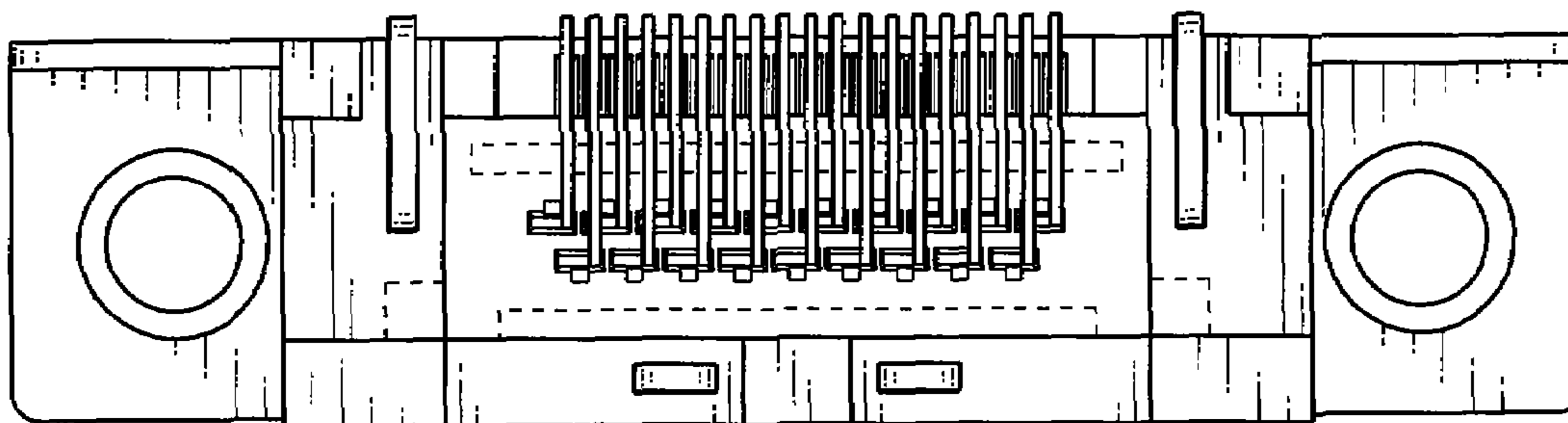


Fig. 5

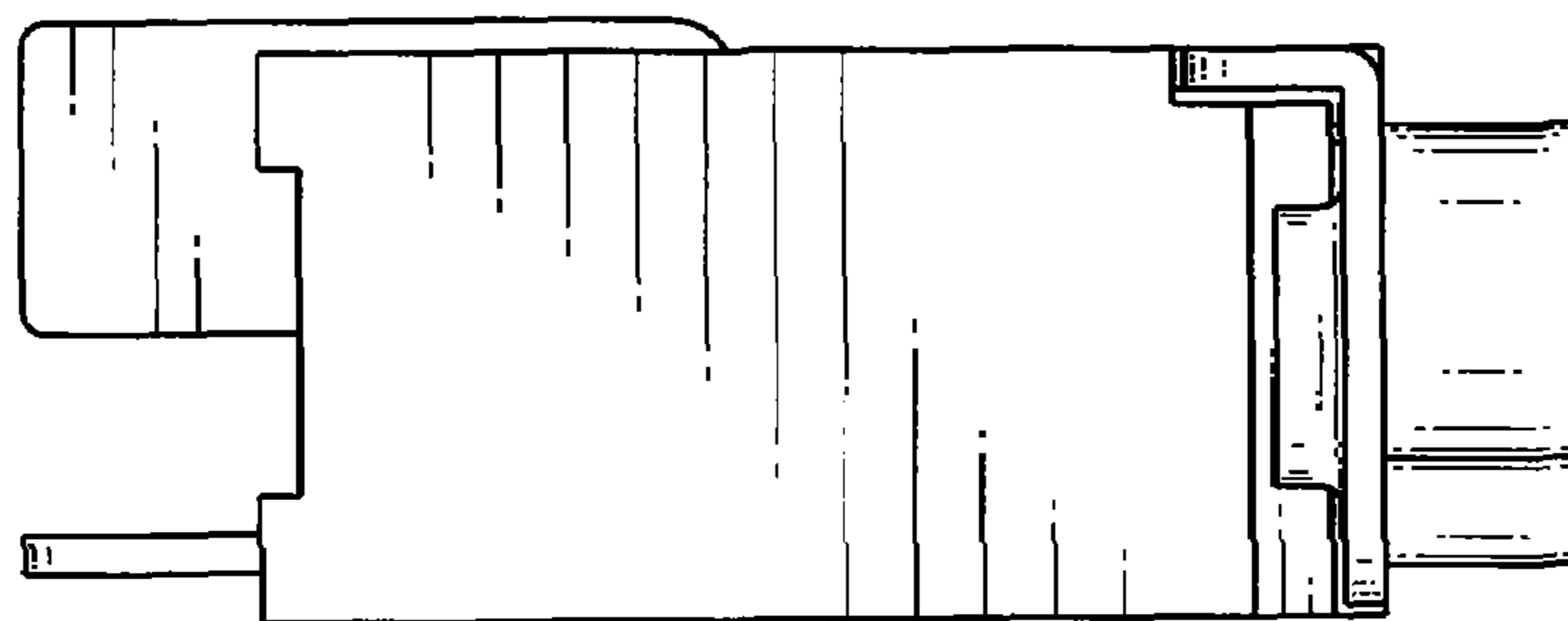


Fig. 6

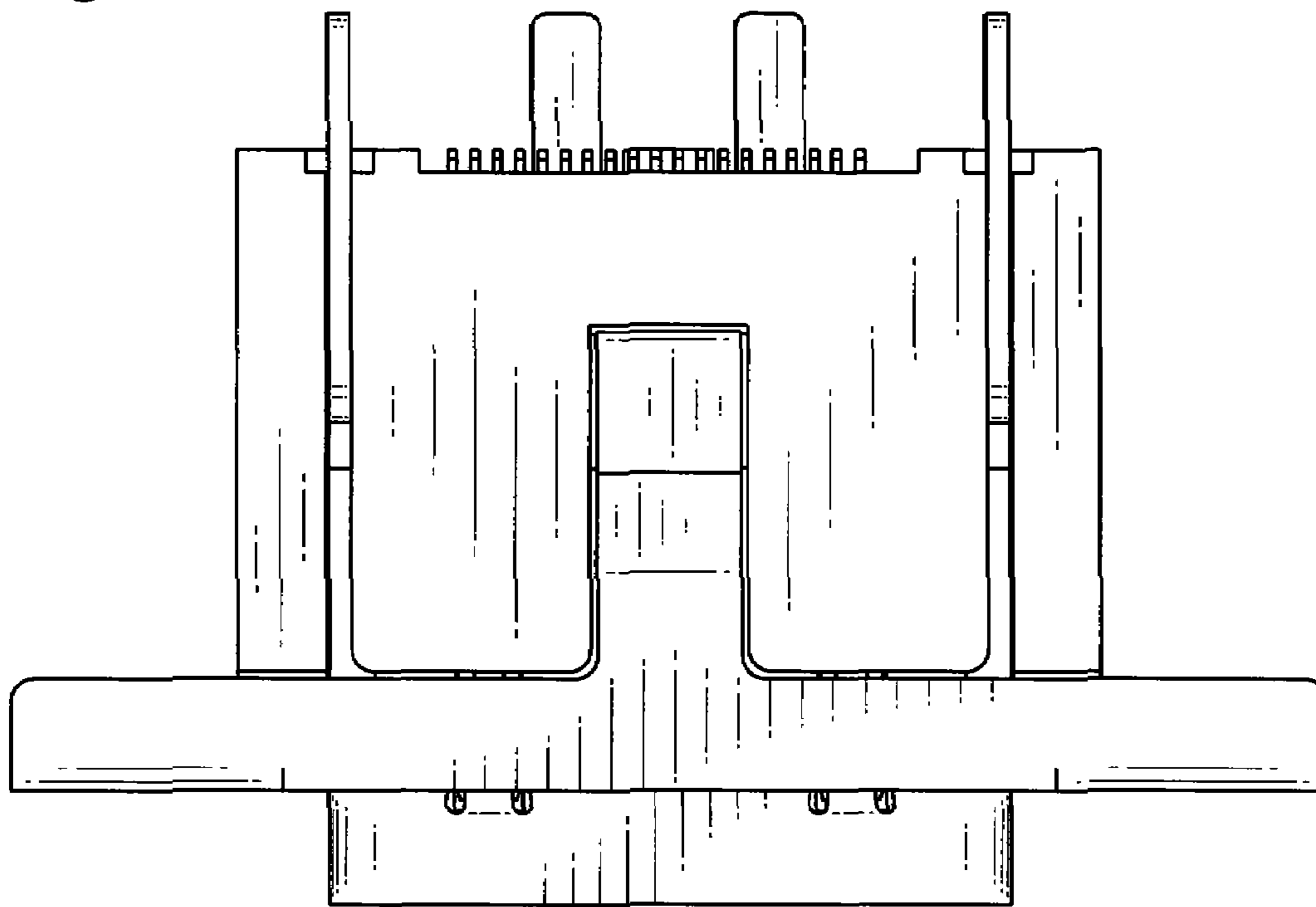


Fig. 7

