



US00D604699S

(12) **United States Design Patent**
Yamamoto

(10) **Patent No.:** **US D604,699 S**

(45) **Date of Patent:** **** Nov. 24, 2009**

(54) **ACTIVE CIGARETTE LIGHTER SOCKET
PLUG**

D563,873 S * 3/2008 Chen et al. D13/144
D585,375 S * 1/2009 Andre et al. D13/133
D592,594 S * 5/2009 Stiff et al. D13/110

(75) Inventor: **Yasuhiro Yamamoto**, Los Angeles, CA
(US)

(73) Assignee: **Ever Win International Corporation**,
City of Industry, CA (US)

(**) Term: **14 Years**

(21) Appl. No.: **29/333,762**

(22) Filed: **Mar. 13, 2009**

(51) **LOC (9) Cl.** **13-03**

(52) **U.S. Cl.** **D13/144**; D13/108; D13/110

(58) **Field of Classification Search** D13/102,
D13/107-110, 118-119, 133, 144, 184; D14/155,
D14/251, 253, 432, 434; 320/107-115; 439/300,
439/620, 638, 668-669, 675, 825; 363/146
See application file for complete search history.

(56) **References Cited**

U.S. PATENT DOCUMENTS

D300,626 S * 4/1989 Crutcher et al. D13/144
D401,222 S * 11/1998 LeBlanc D13/144
D474,448 S * 5/2003 Bosch D13/144
6,612,875 B1 9/2003 Liao
D481,355 S * 10/2003 Lee D13/108
D492,249 S * 6/2004 Suomalainen et al. D13/108
D505,389 S * 5/2005 Chang D13/107
D525,938 S * 8/2006 Seil et al. D13/144
D545,274 S * 6/2007 Dong D13/144
D554,585 S * 11/2007 Nazar D13/110
D557,658 S * 12/2007 Ledbetter et al. D13/108

OTHER PUBLICATIONS

In-car chargers have never looked so good . . . , powertraveller.com,
motormonkey . . . charge ahead in style (website), Dec. 9, 2008.
Nicole Lee, Aliph introduces accessories for the Jawbone, Crave
(website), Nov. 10, 2008.
Unknown author, Mini-cigarette lighter adapter (CA40), . . . gators
monthly, date unknown.

* cited by examiner

Primary Examiner—Rosemary K Tarcza

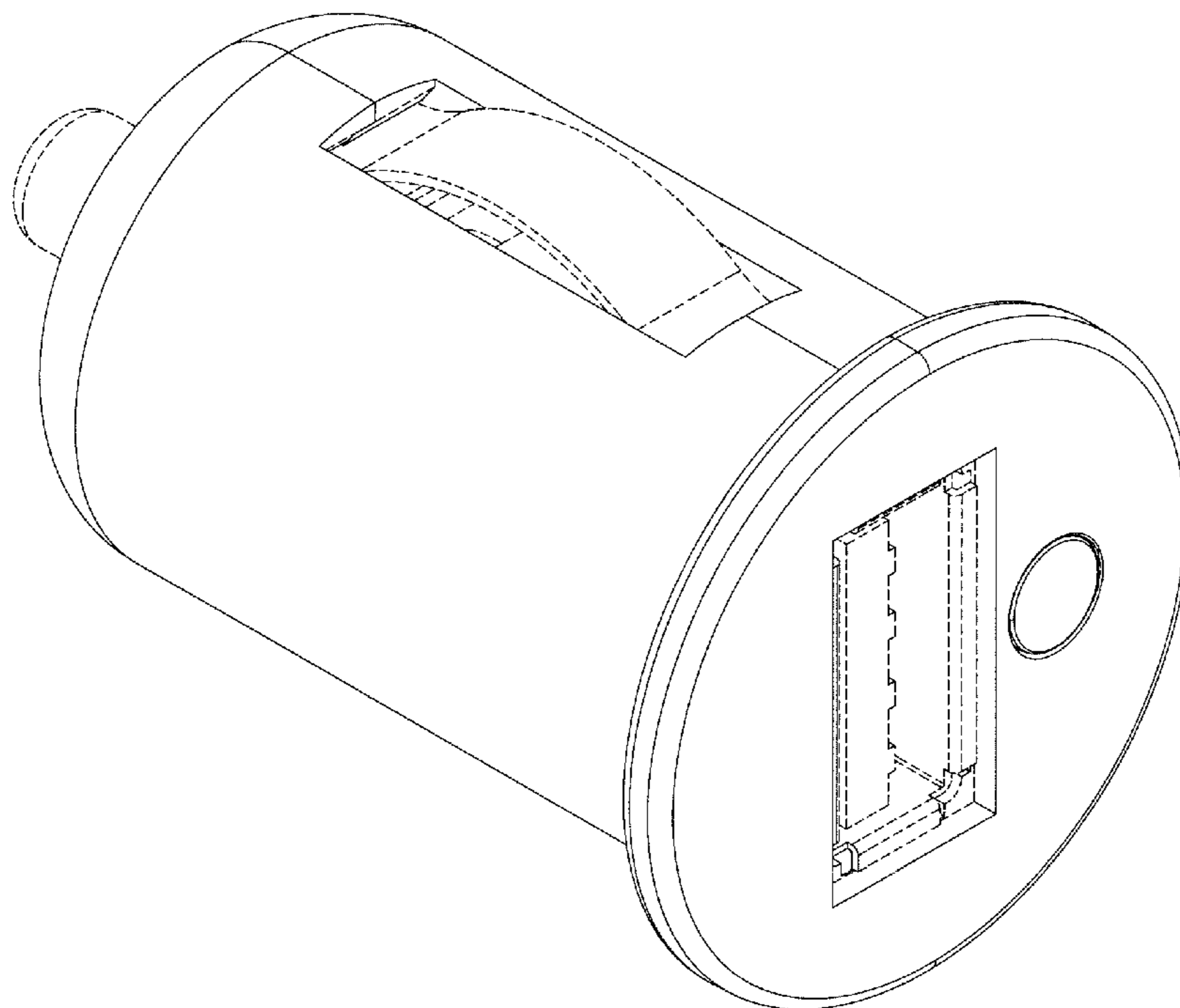
(57) **CLAIM**

The ornamental design for an active cigarette lighter socket
plug, as shown and described.

DESCRIPTION

FIG. 1 is a perspective view of an active cigarette lighter socket
socket plug, showing our new design;
FIG. 2 is a front view thereof;
FIG. 3 is a rear view thereof;
FIG. 4 is a top view thereof;
FIG. 5 is a bottom view thereof;
FIG. 6 is a side view thereof; and,
FIG. 7 is a opposing side view of the view shown on FIG. 6.
The broken lines shown in the drawings are included for the
purpose of illustrating environmental structure and form no
part of the claimed design.

1 Claim, 4 Drawing Sheets



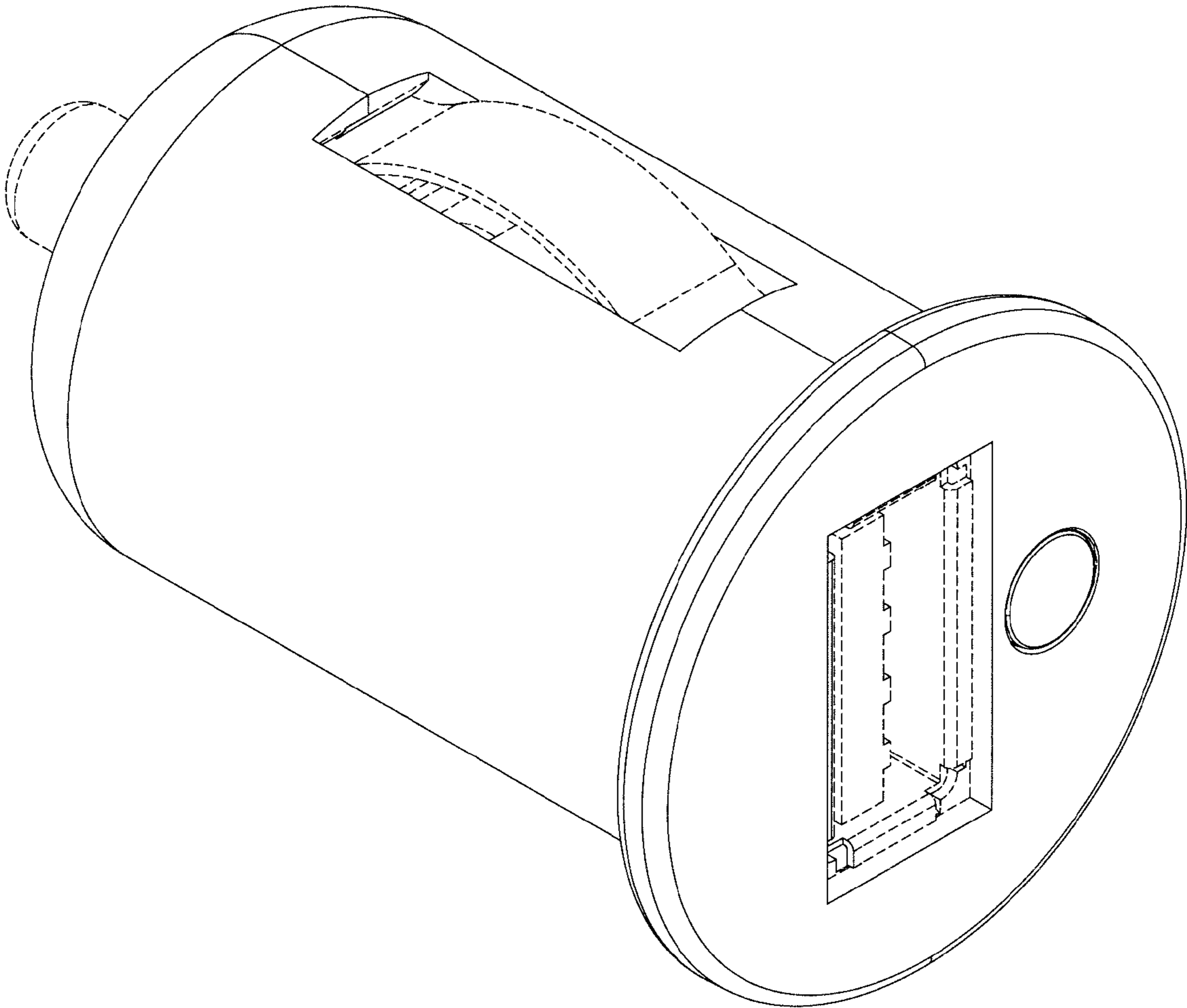


Figure 1

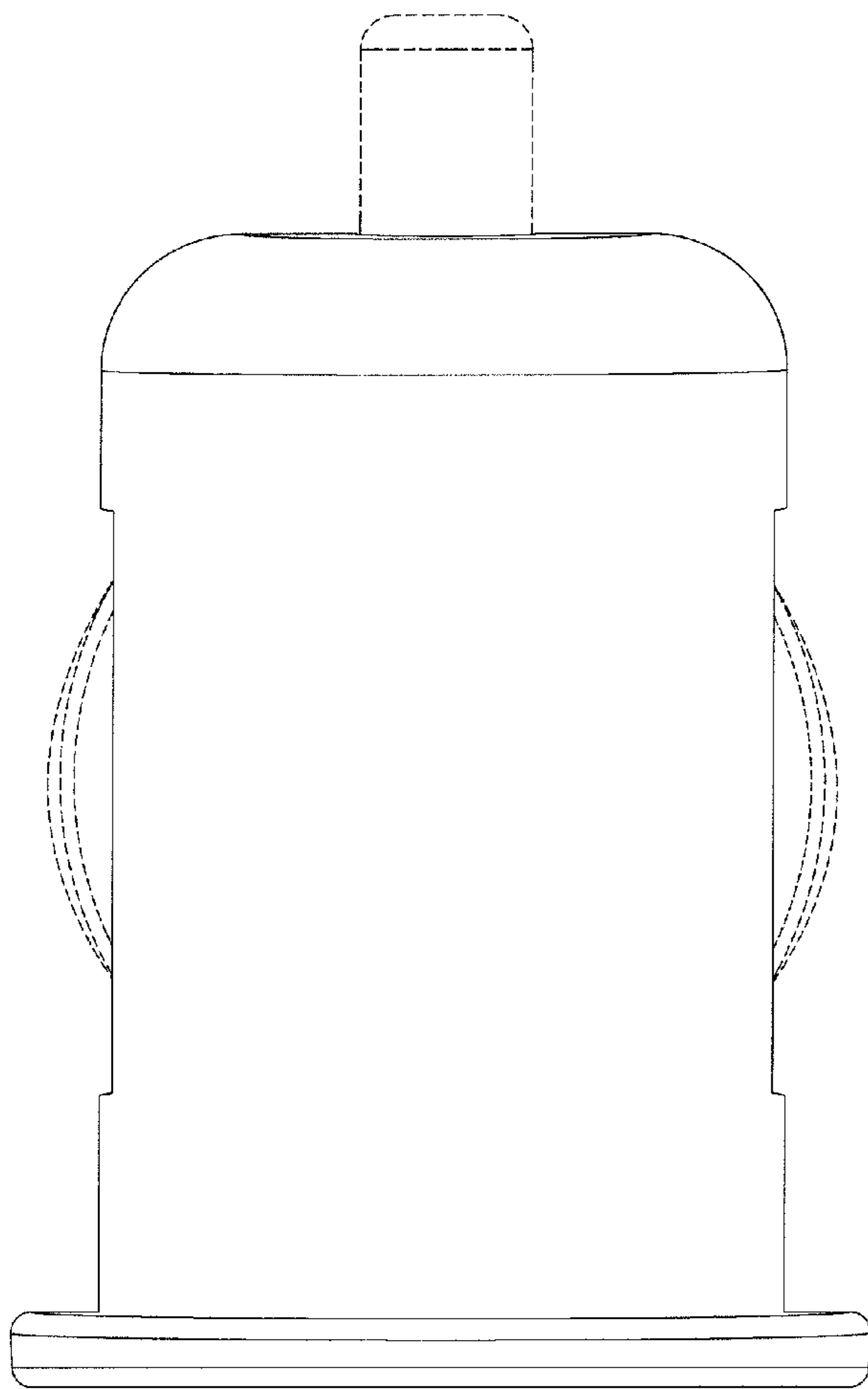


Figure 2

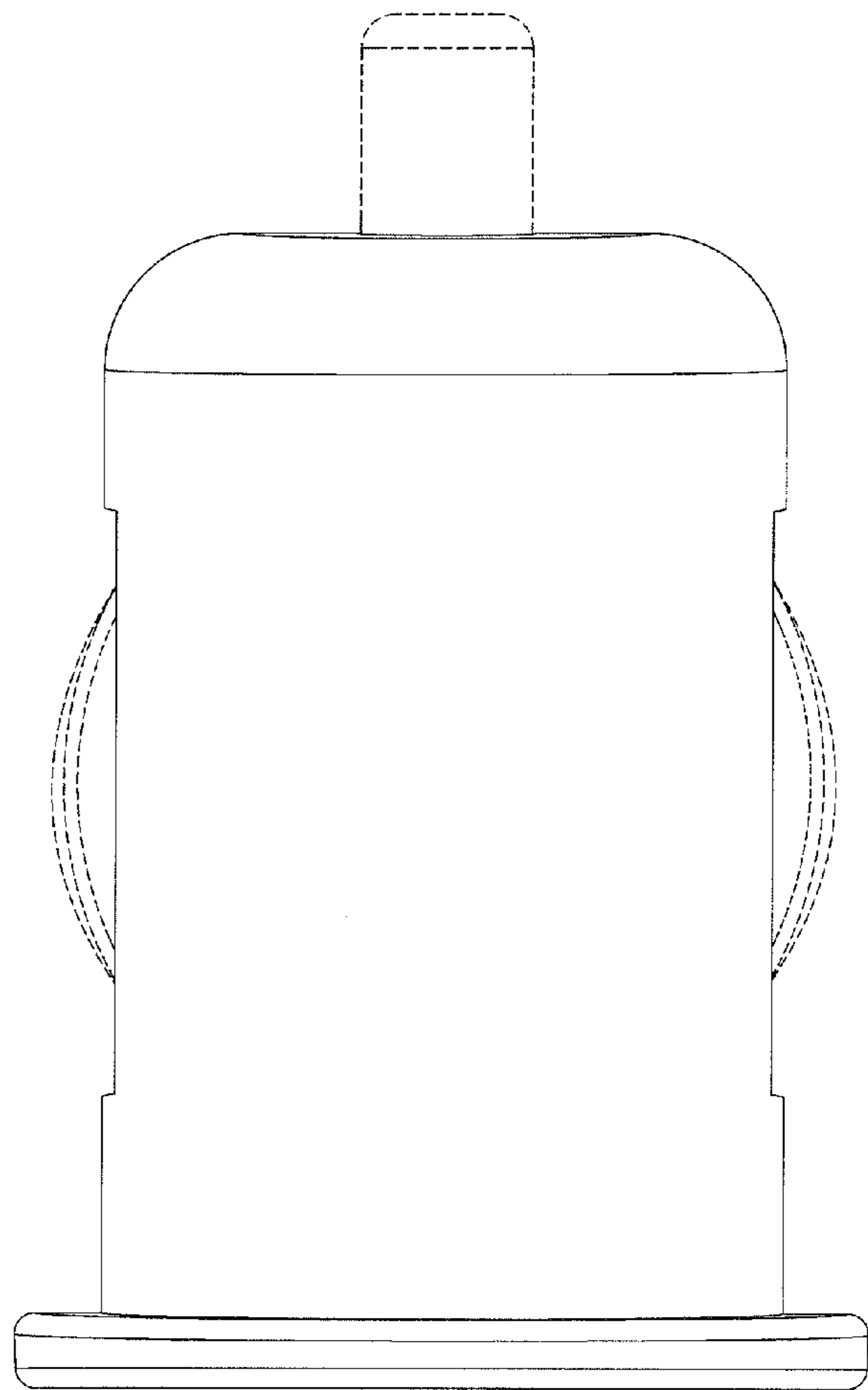


Figure 3

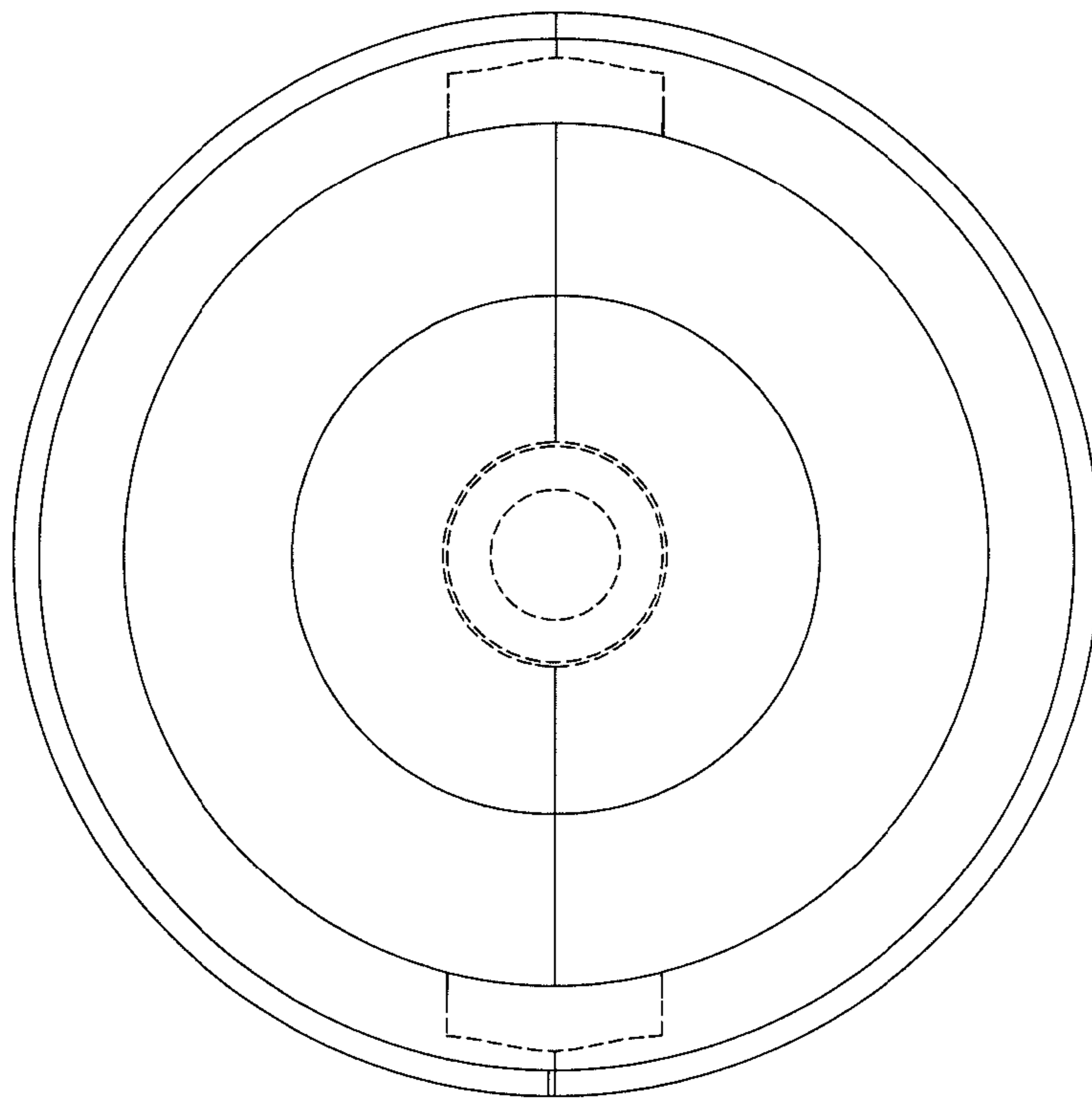


Figure 4

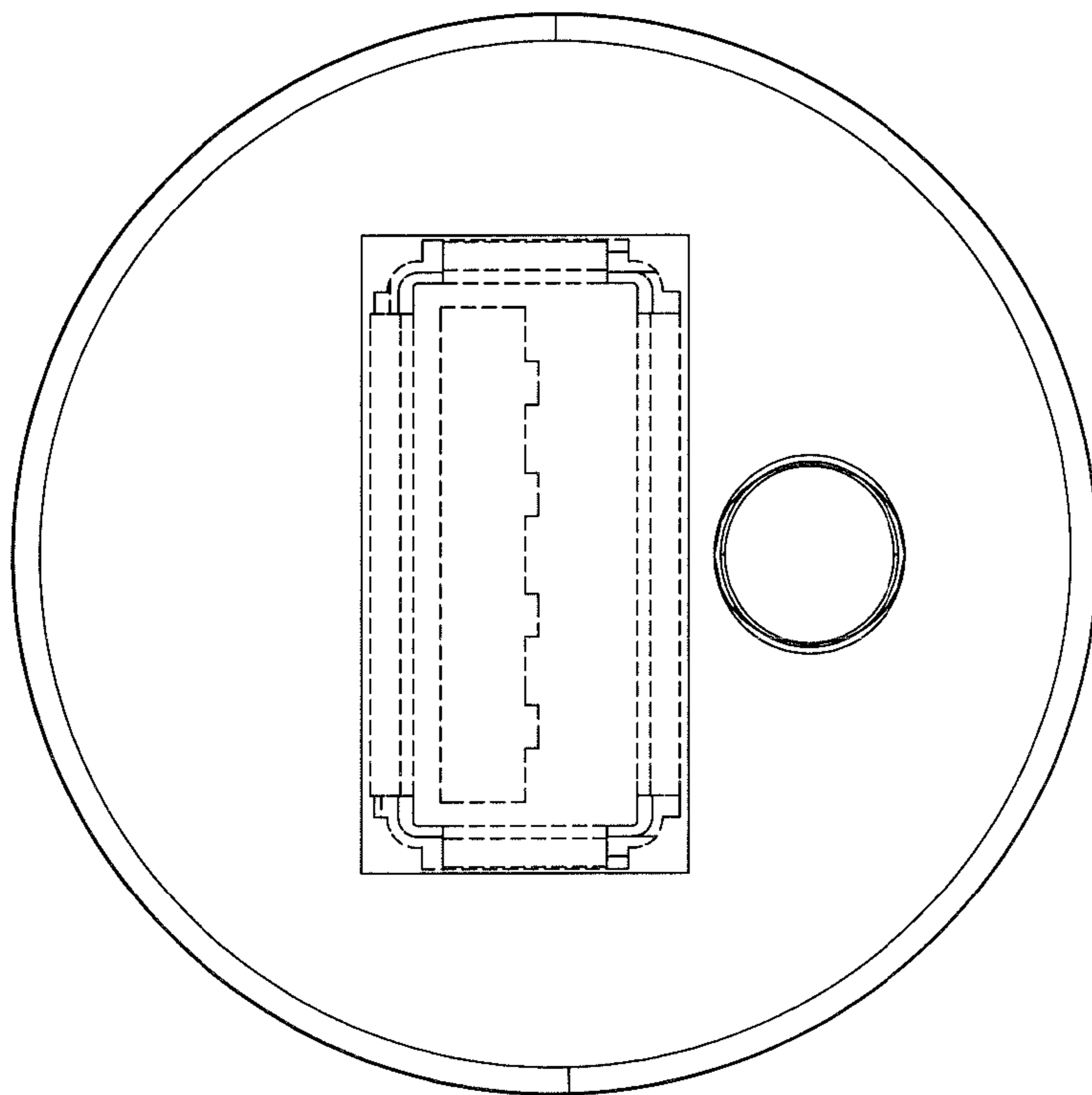


Figure 5

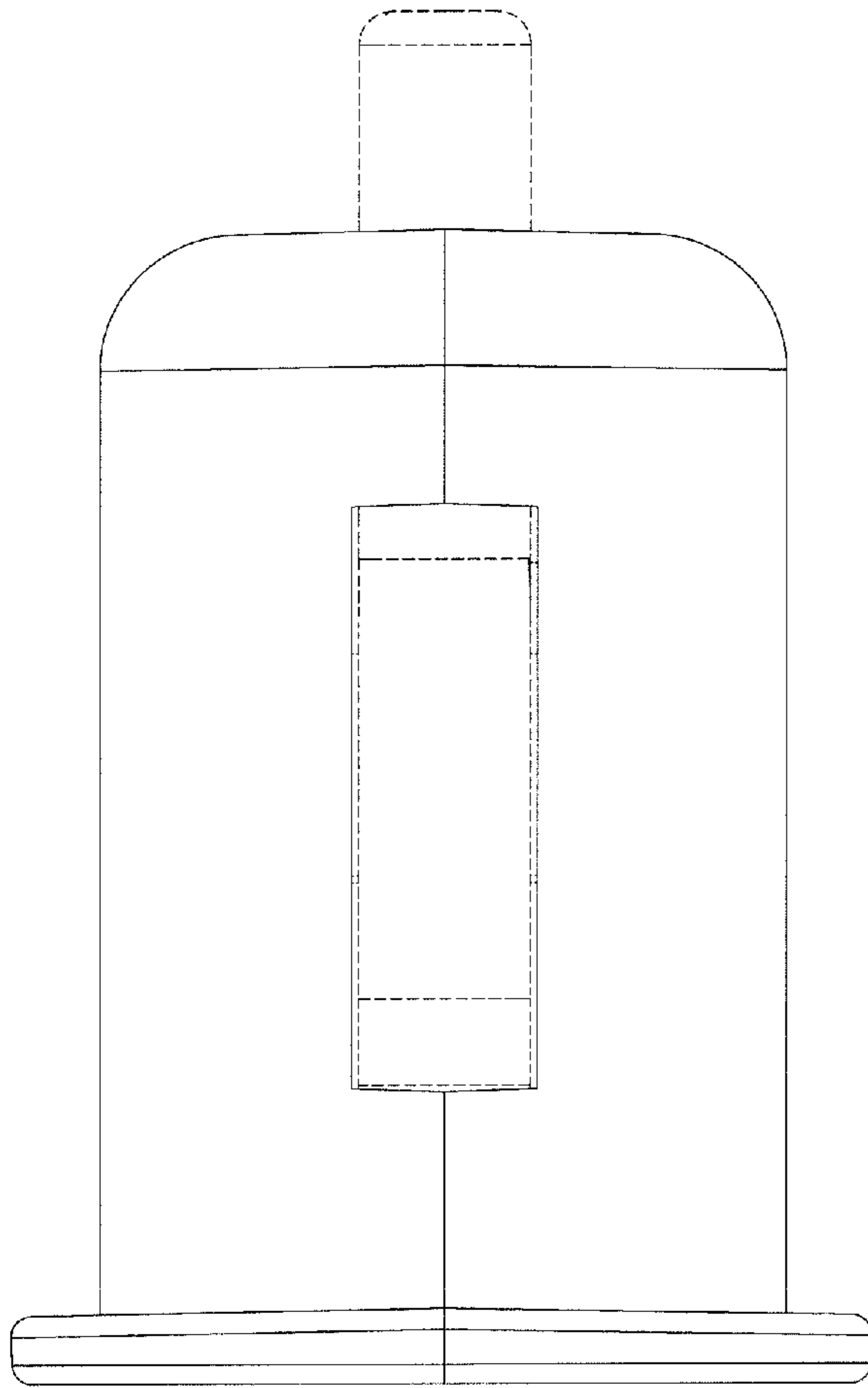


Figure 6

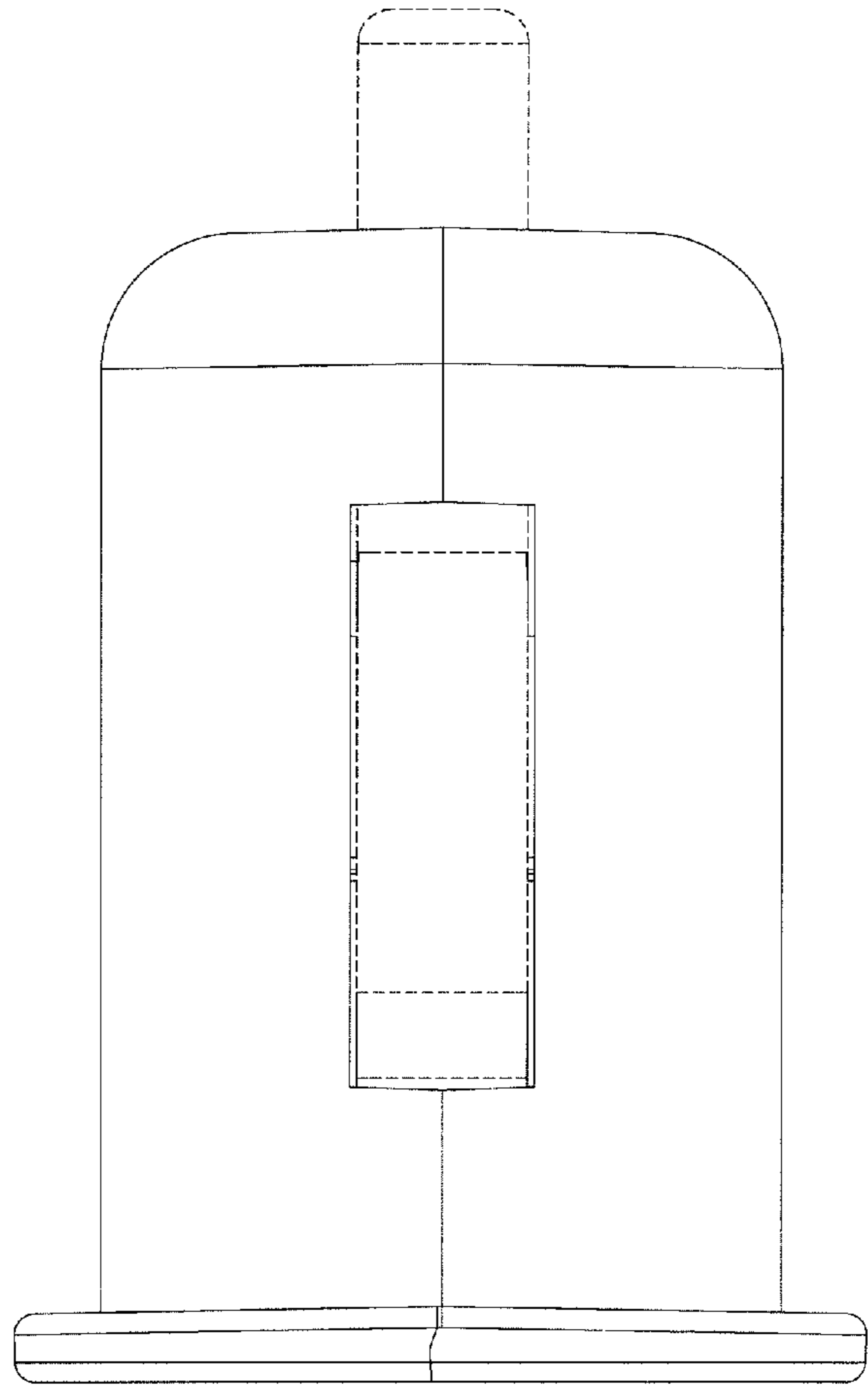


Figure 7