



US00D604698S

(12) **United States Design Patent**
Leen

(10) **Patent No.:** **US D604,698 S**

(45) **Date of Patent:** **** *Nov. 24, 2009**

(54) **DIAMOND PLATED OUTLET STRIP**

(76) Inventor: **Monte A. Leen**, 11730 NE. 12th St.,
Bellevue, WA (US) 98005

(*) Notice: This patent is subject to a terminal disclaimer.

(**) Term: **14 Years**

(21) Appl. No.: **29/310,011**

(22) Filed: **Jul. 21, 2008**

(51) **LOC (9) Cl.** **13-02**

(52) **U.S. Cl.** **D13/139.2**

(58) **Field of Classification Search** D13/139.1,
D13/139.2, 139.3, 139.4, 139.5, 139.6, 139.7,
D13/139.8, 138.1, 138.2, 123, 133, 137.1,
D13/137.2, 184, 137.3, 137.4, 124, 160, 162,
D13/164, 178, 154, 156, 107, 110, 145, 177;
D14/433, 256; D8/350, 353; 174/53, 55,
174/56, 59, 66, 494, 153 G, 152 G, 154, 167,
174/168, 650, 656, 481, 504; 439/101, 105,
439/43, 53, 374, 894, 46, 55, 63, 92, 93,
439/95, 102, 106, 107, 108, 135, 149, 222,
439/266, 285, 291, 300, 344, 373, 535, 620.21,
439/638, 660, 907, 650, 651, 652, 653, 654;
361/42

See application file for complete search history.

(56) **References Cited**

U.S. PATENT DOCUMENTS

D217,251 S * 4/1970 Kahn D13/139.8
D285,435 S * 9/1986 Hoehne D13/139.8
5,579,201 A * 11/1996 Karageozian 361/119

D402,963 S * 12/1998 Parshad D13/139.6
6,015,307 A * 1/2000 Chiu et al. 439/139
D428,267 S * 7/2000 Romano et al. D5/61
6,780,048 B2 * 8/2004 Chen et al. 439/502
D534,496 S * 1/2007 Vargas D13/139.8
D546,766 S * 7/2007 Tropp D13/139.6
D548,188 S * 8/2007 Vargas et al. D13/139.8
D551,169 S * 9/2007 Tropp D13/139.6
D575,385 S * 8/2008 Schluter et al. D23/370

OTHER PUBLICATIONS

Diamond Plate Aluminum Power Strip, [online], [retrieved on Dec. 11, 2008]. Retrieved from Internet, URL<<http://www.mygaragestore.com/detail.aspx?ID=1515>>.*

* cited by examiner

Primary Examiner—Jennifer Rivard

Assistant Examiner—Angela J Lee

(74) *Attorney, Agent, or Firm*—Dean A Craine

(57) **CLAIM**

The ornamental design for an diamond plated outlet strip, as shown and described.

DESCRIPTION

FIG. 1 is a perspective view of the diamond plated outlet strip.

FIG. 2 is a left side elevational view of the invention.

FIG. 3 is a right side elevational view of the invention.

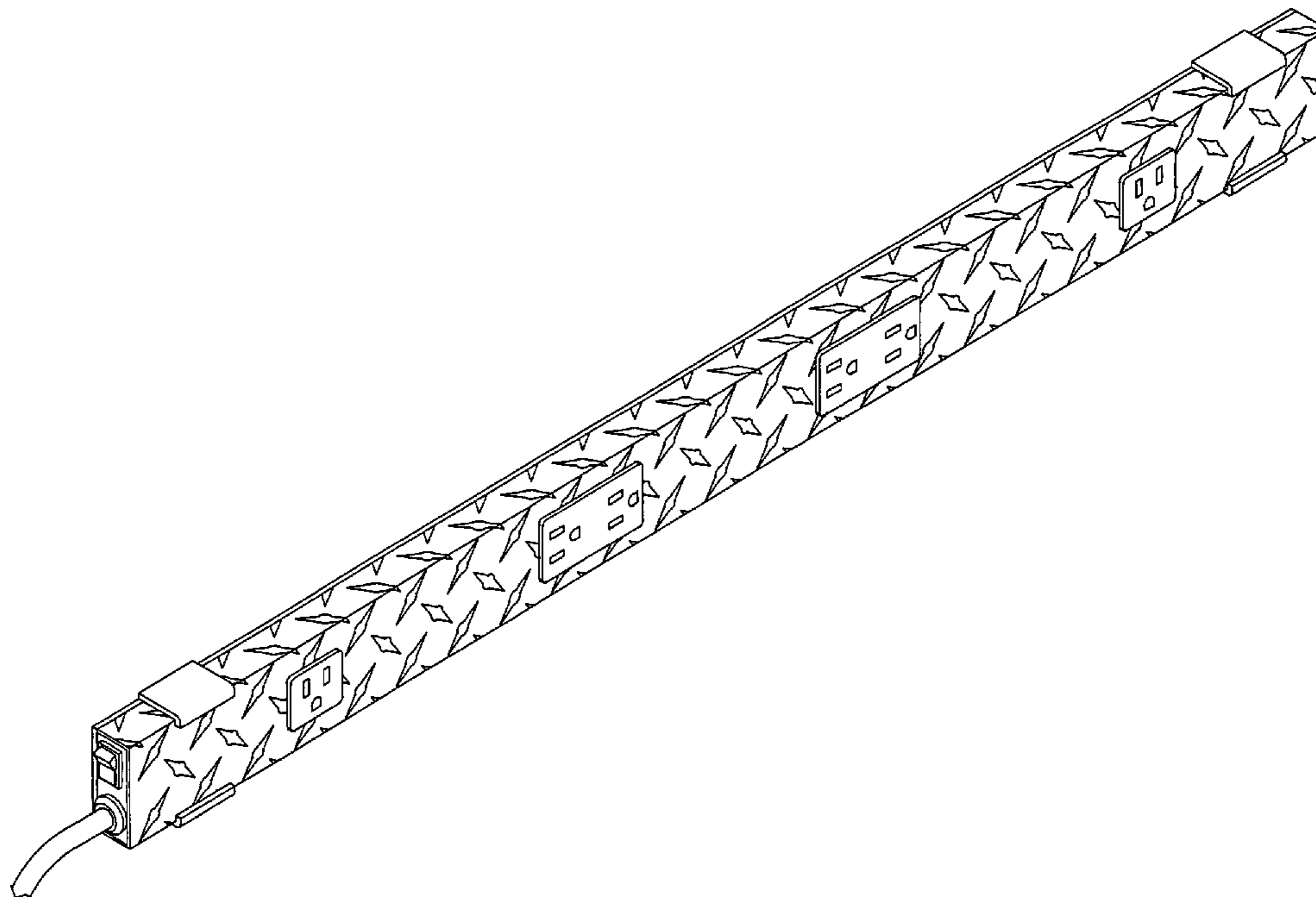
FIG. 4 is a front elevational view of the invention.

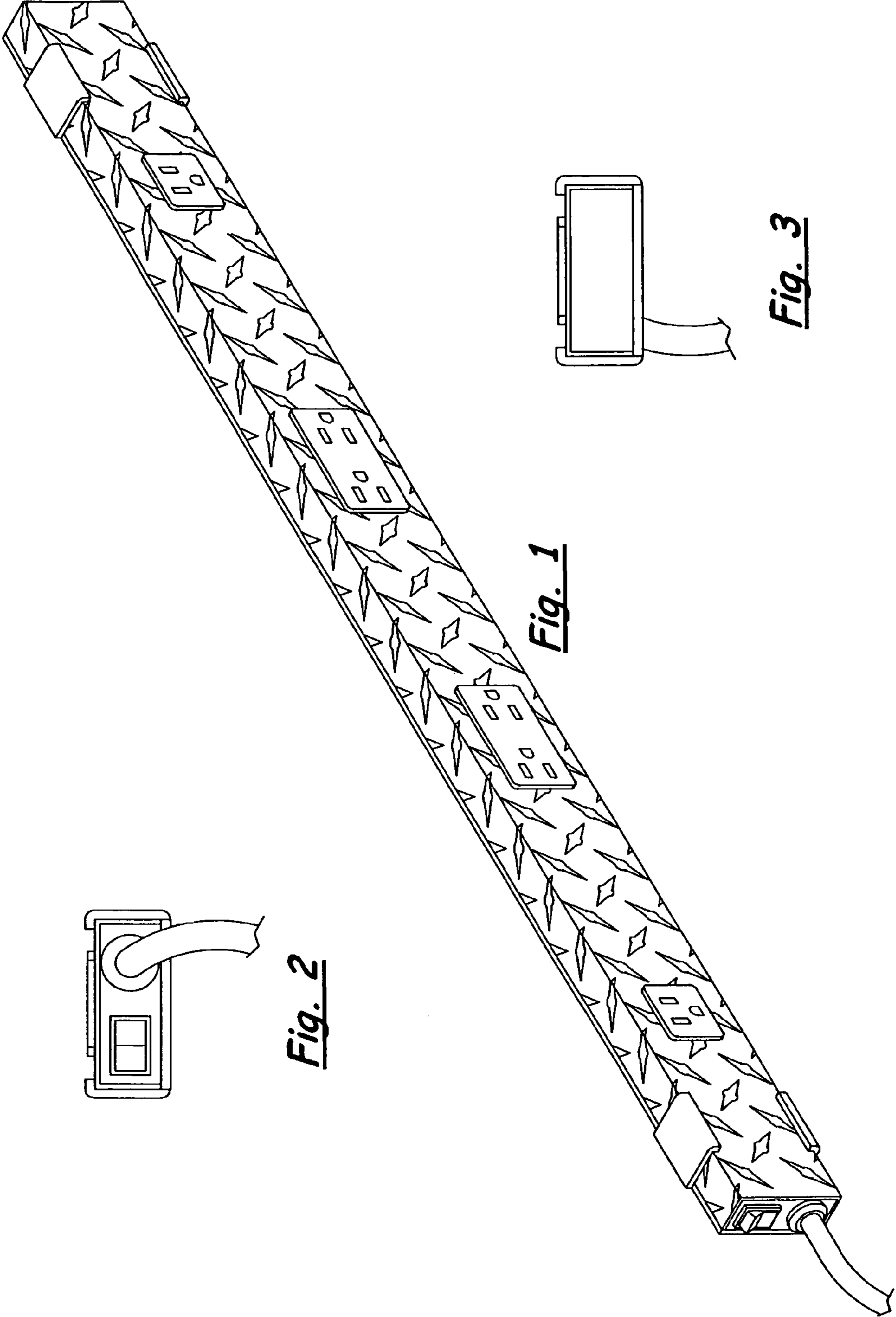
FIG. 5 is a rear elevational view of the invention.

FIG. 6 is a top plan view of the invention; and,

FIG. 7 is a bottom plan view of the invention.

1 Claim, 2 Drawing Sheets





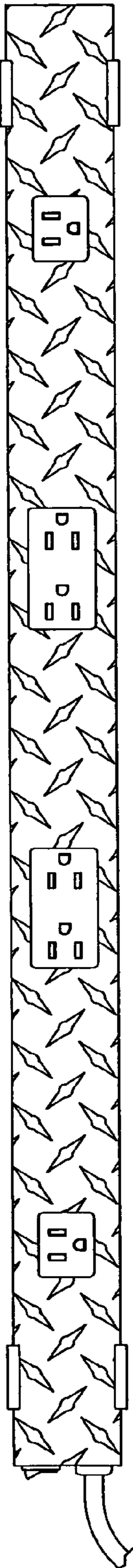


Fig. 4

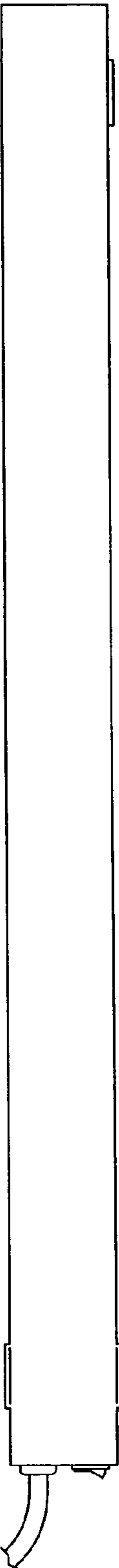


Fig. 5

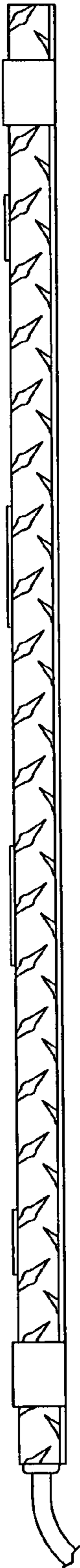


Fig. 6



Fig. 7