



US00D604696S

(12) **United States Design Patent**  
**Tasai**

(10) **Patent No.:** **US D604,696 S**

(45) **Date of Patent:** **\*\* Nov. 24, 2009**

(54) **ASSEMBLED BATTERY**

(75) Inventor: **Hiroshi Tasai**, Kyoto (JP)

(73) Assignee: **GS Yuasa Corporation**, Kyoto-Ku (JP)

(\*\*) Term: **14 Years**

(21) Appl. No.: **29/293,074**

(22) Filed: **Nov. 7, 2007**

(30) **Foreign Application Priority Data**

May 7, 2007 (JP) ..... 2007-011945

(51) **LOC (9) Cl.** ..... **13-02**

(52) **U.S. Cl.** ..... **D13/104**

(58) **Field of Classification Search** ..... D13/102–106,  
D13/110, 118–121, 184; 429/96–100, 163,  
429/176

See application file for complete search history.

(56) **References Cited**

**U.S. PATENT DOCUMENTS**

D239,837 S *	5/1976	Hennen	.....	D13/119
4,107,402 A *	8/1978	Dougherty et al.	.....	429/120
4,693,949 A *	9/1987	Kellett et al.	.....	429/128
D292,576 S *	11/1987	Kump et al.	.....	D13/106
D294,484 S *	3/1988	Kellett et al.	.....	D13/106
D303,519 S *	9/1989	Lopez-Doriga	.....	D13/106
		Lopez-Doriga	.....	D13/106
D303,652 S *	9/1989	Lopez-Doriga	.....	D13/106
		Lopez-Doriga	.....	D13/106
5,484,667 A *	1/1996	Sahli et al.	.....	429/100
5,512,065 A *	4/1996	Kump et al.	.....	29/623.1
D383,434 S *	9/1997	Hooke et al.	.....	D13/103
D400,849 S *	11/1998	Ikeda et al.	.....	D13/106
D401,551 S *	11/1998	Kim	.....	D13/106
5,885,732 A *	3/1999	Verhoog	.....	429/176

D412,153 S *	7/1999	Chen	.....	D13/103
6,300,005 B1 *	10/2001	Kump	.....	429/175
D458,900 S *	6/2002	Carter et al.	.....	D13/106
D491,138 S *	6/2004	Minato	.....	D13/104
D543,938 S *	6/2007	Kawakita et al.	.....	D13/119
2003/0044679 A1 *	3/2003	Hirano et al.	.....	429/176
2004/0053128 A1 *	3/2004	Smith et al.	.....	429/175
2004/0191612 A1 *	9/2004	Akita et al.	.....	429/94

**FOREIGN PATENT DOCUMENTS**

JP 1201891 8/1989

**OTHER PUBLICATIONS**

May 8, 2003 "News Release". GS Yuasa Corp., Japan.

\* cited by examiner

*Primary Examiner*—Jennifer Rivard

*Assistant Examiner*—Rosemary K Tarcza

(74) *Attorney, Agent, or Firm*—Jordan and Hamburg LLP

(57) **CLAIM**

The ornamental design for the assembled battery, as shown.

**DESCRIPTION**

FIG. 1 is a perspective illustration;

FIG. 2 is a top view;

FIG. 3 is a front elevation view;

FIG. 4 is a bottom side view;

FIG. 5 is a rear side elevation view;

FIG. 6 is a right side elevation view;

FIG. 7 is a left side elevation view;

FIG. 8 is a sectional view taken along 8—8 of FIG. 3; and,

FIG. 9 is a sectional view taken along 9—9 of FIG. 6.

**1 Claim, 5 Drawing Sheets**

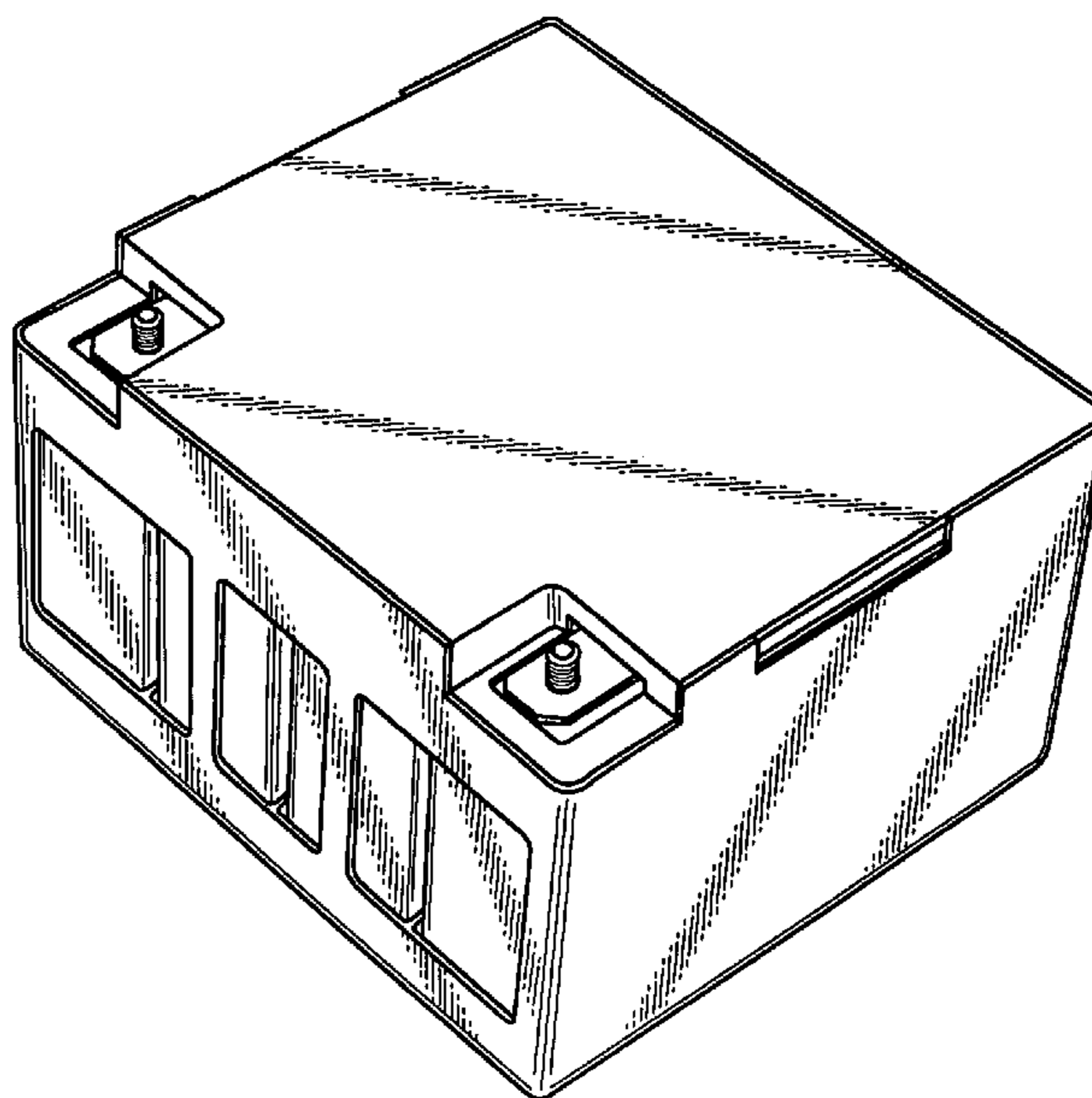


Fig. 1

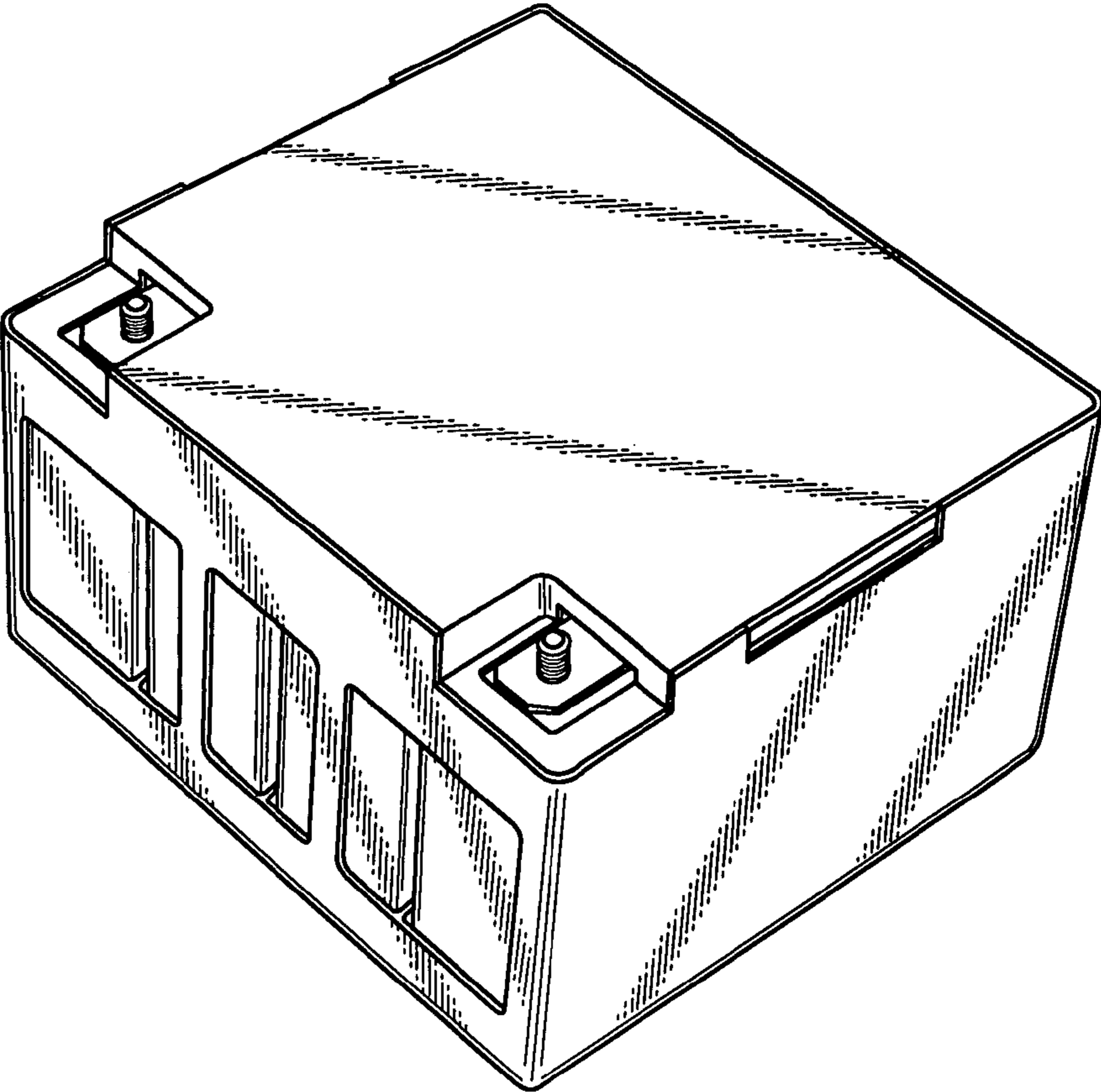


Fig. 2

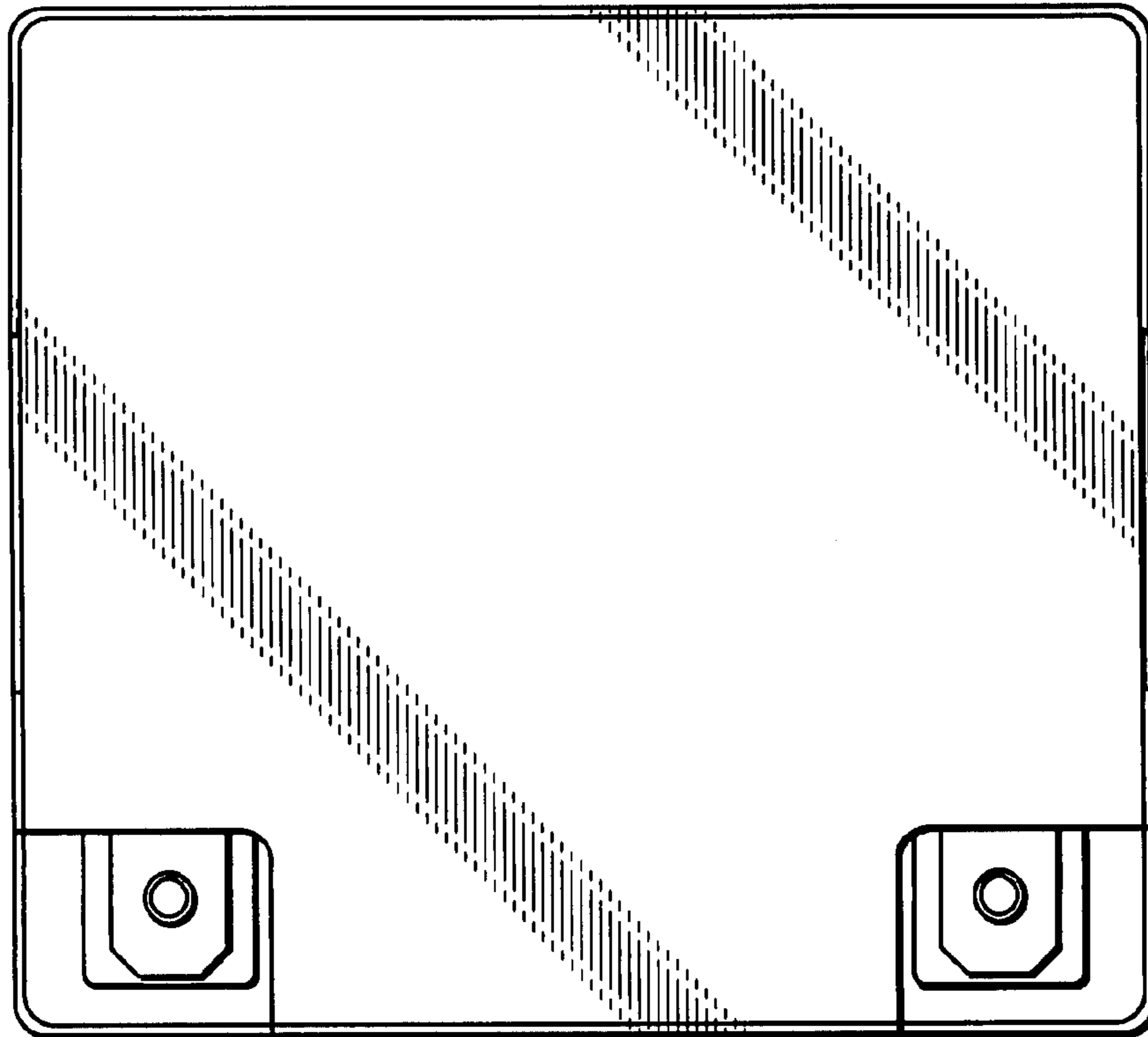


Fig. 3

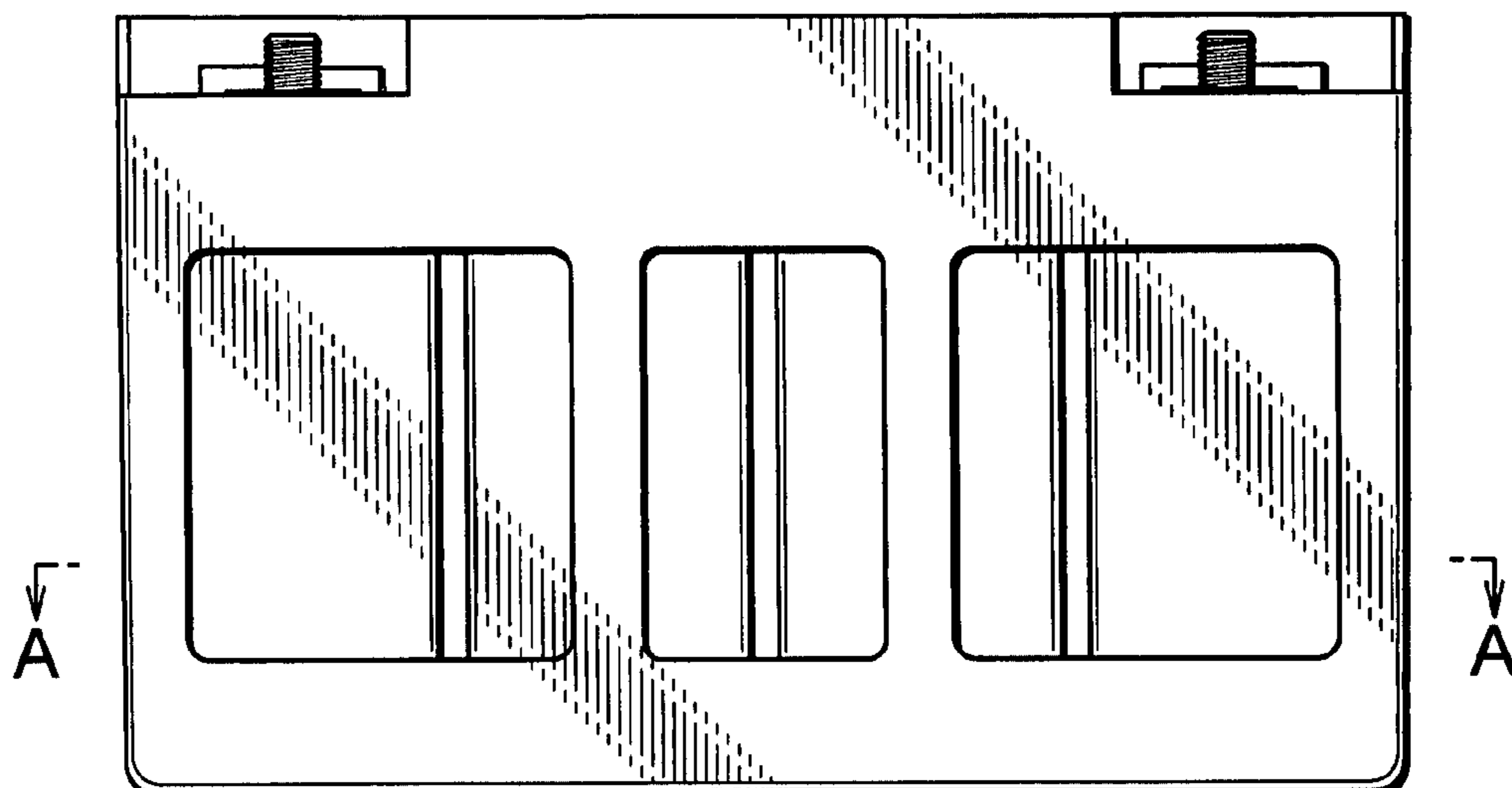


Fig. 4

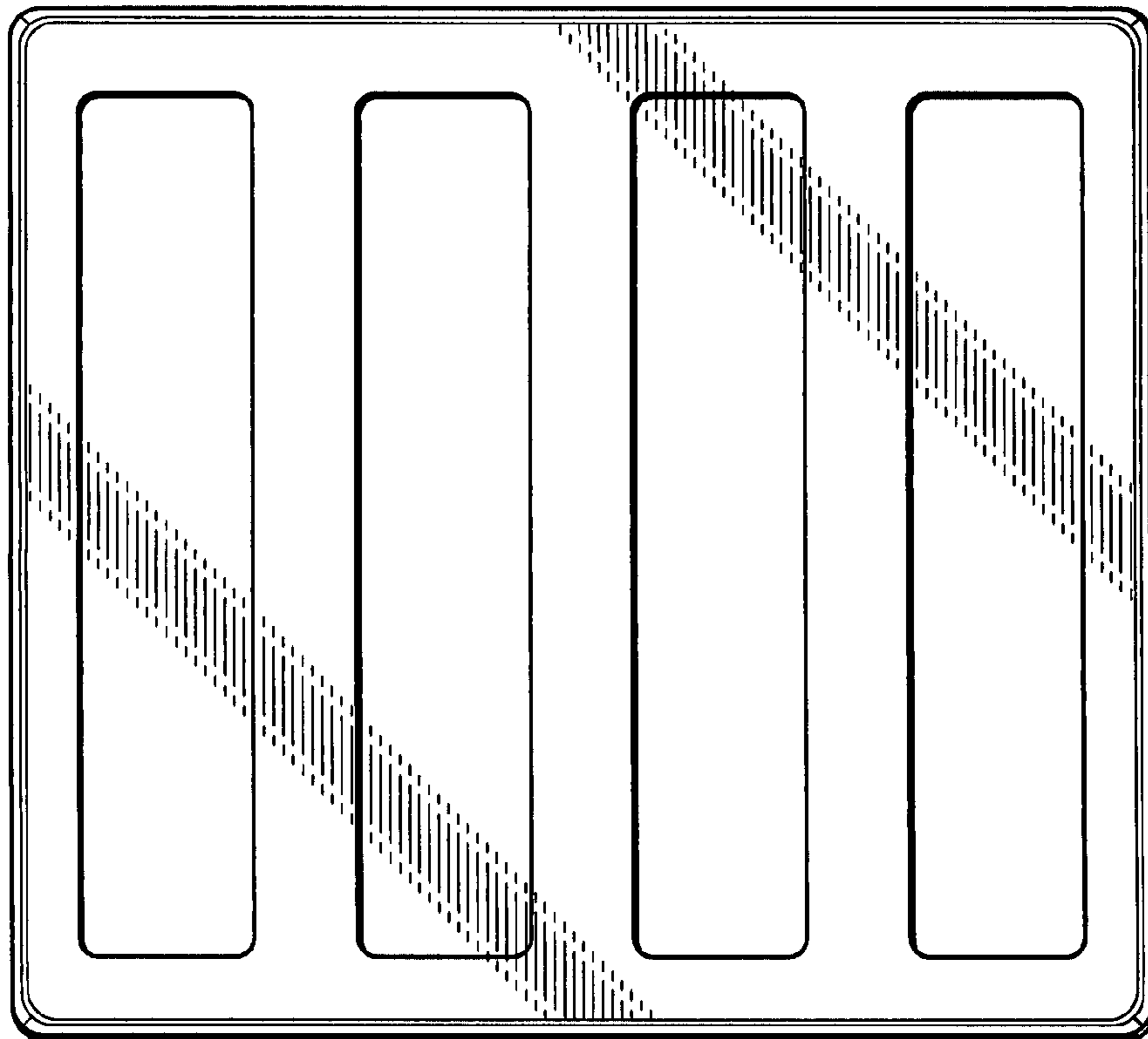


Fig. 5

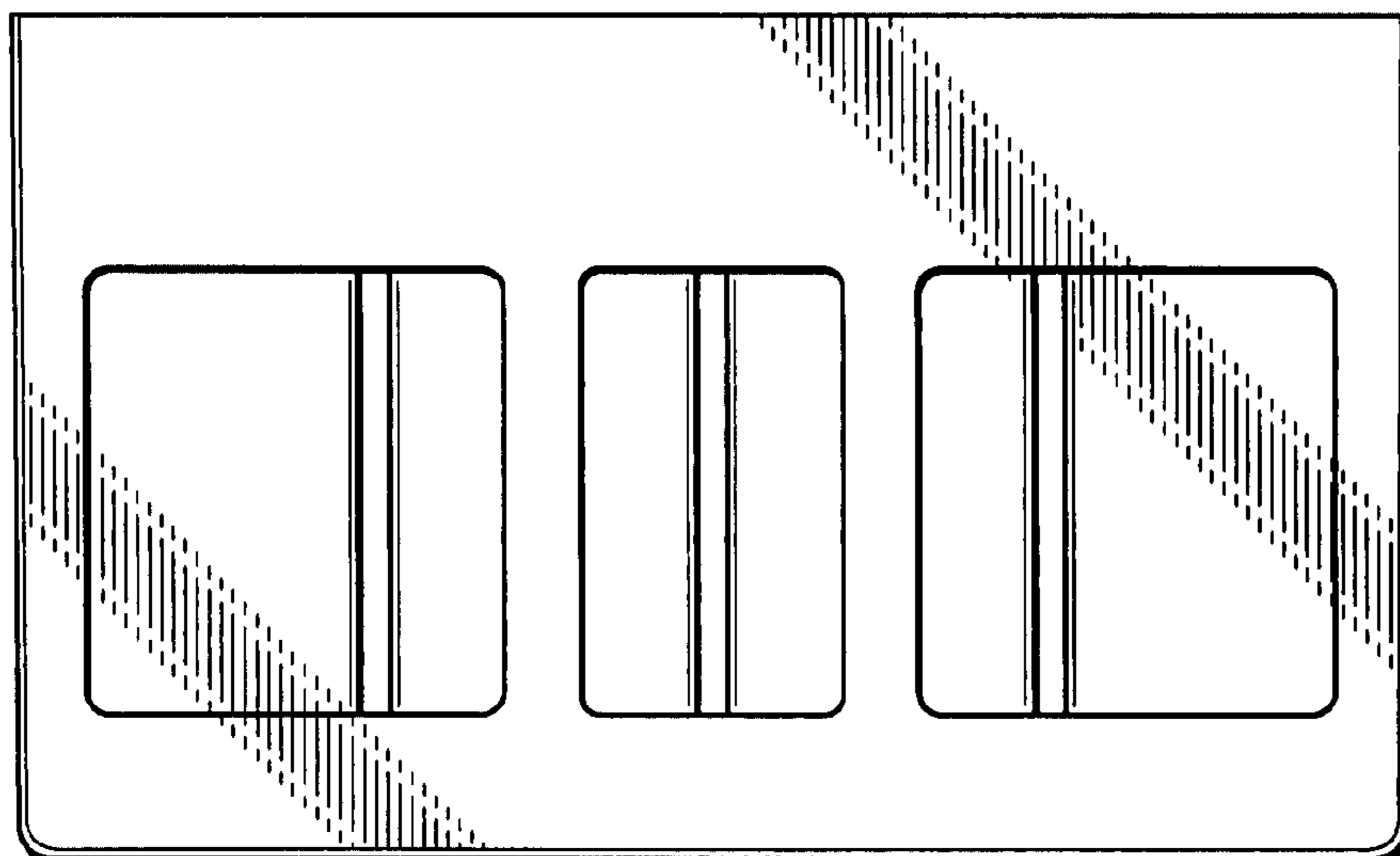


Fig. 6

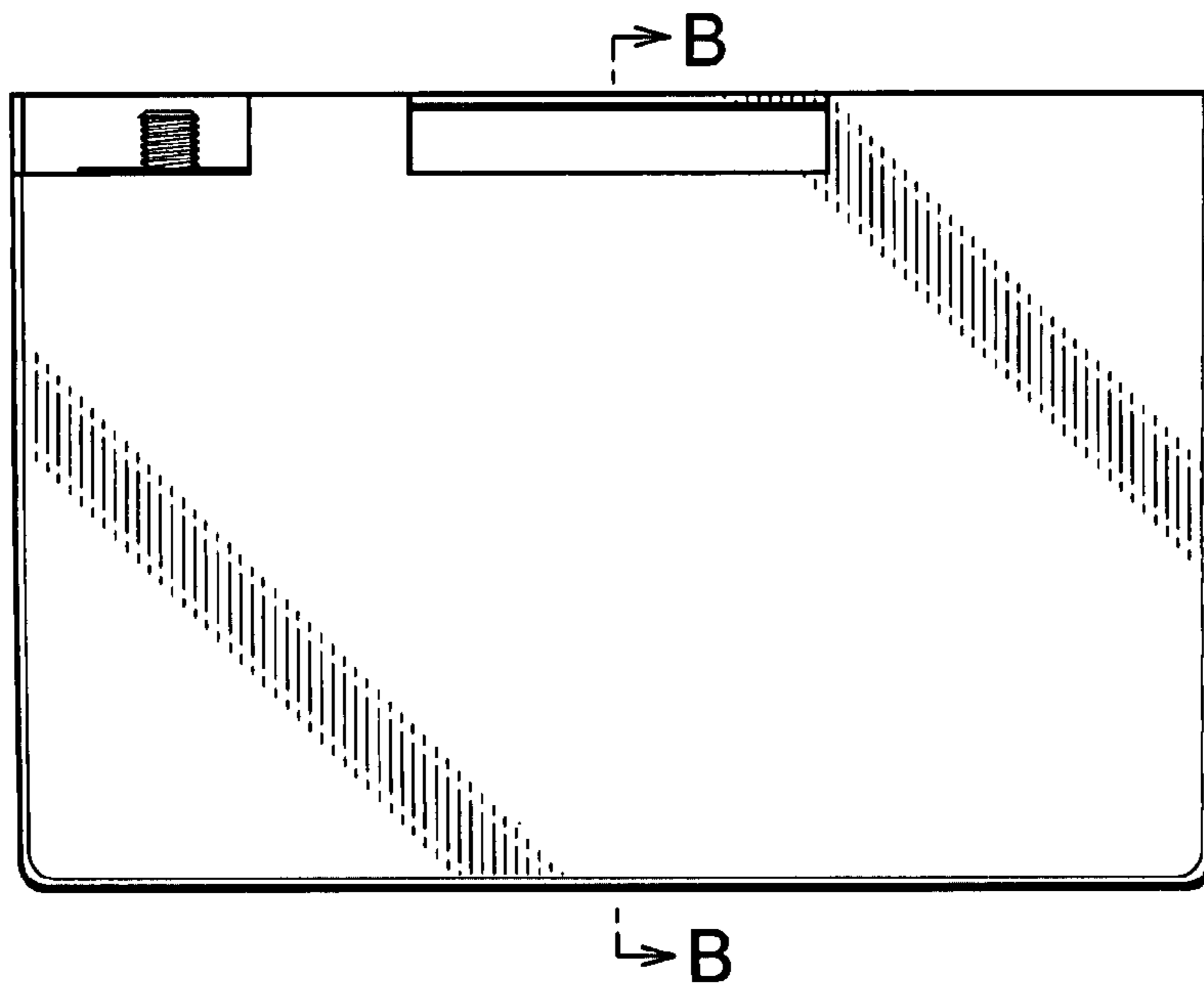


Fig. 7

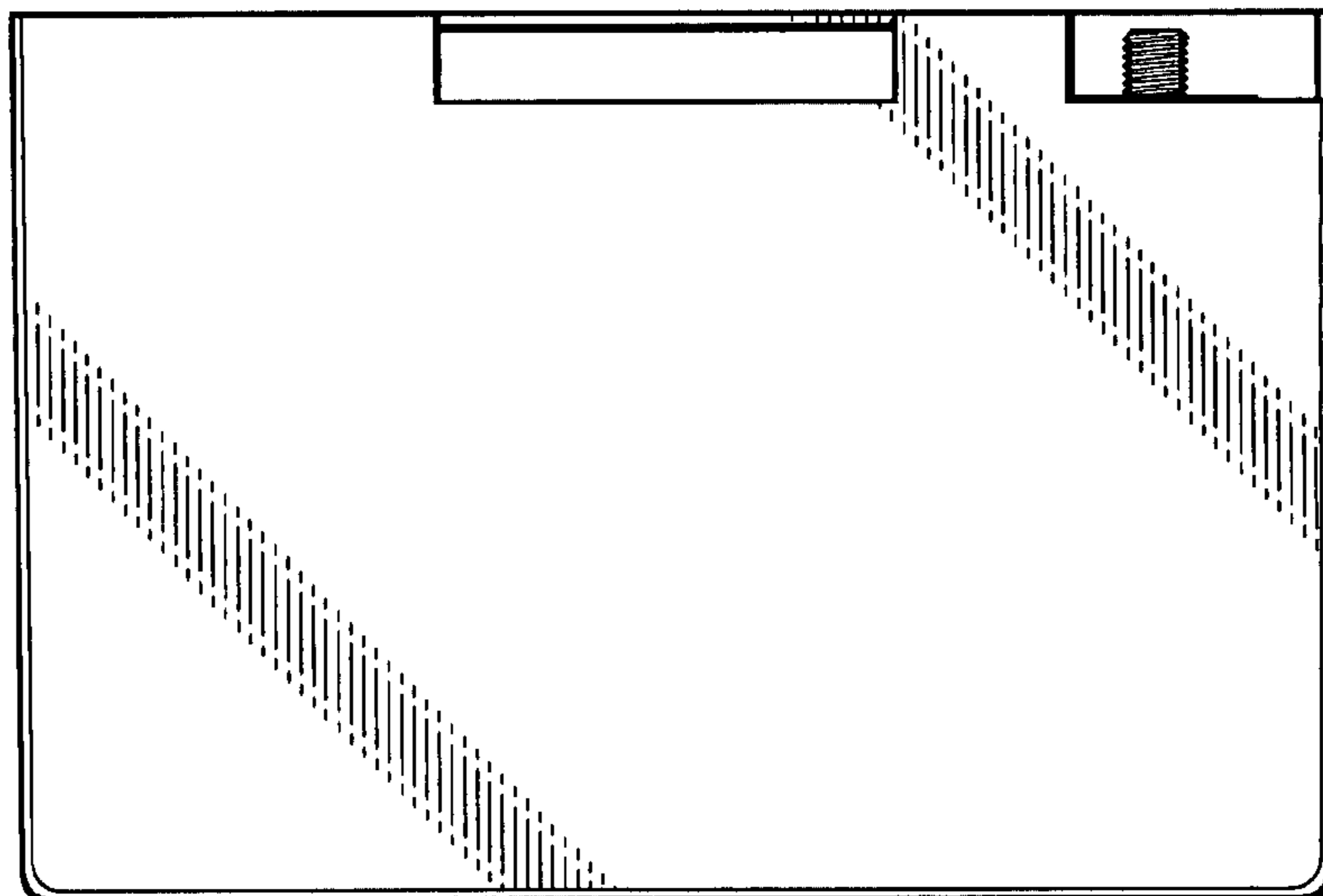


Fig. 8

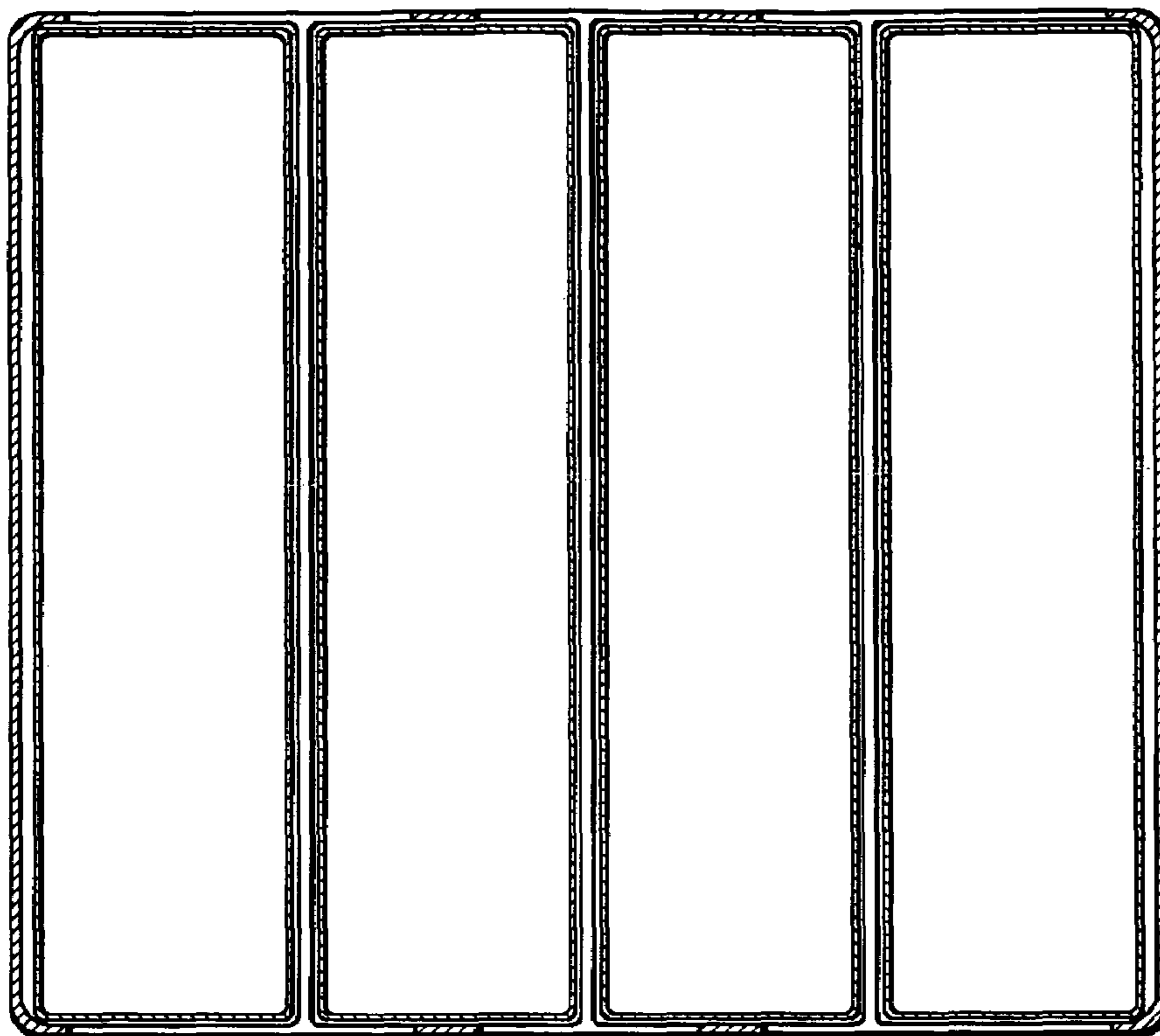


Fig. 9

