

US00D604688S

(12) **United States Design Patent**  
**Sato**

(10) **Patent No.:** **US D604,688 S**  
(45) **Date of Patent:** **\*\* Nov. 24, 2009**

(54) **AUTOMOBILE TIRE**

(75) Inventor: **Yoshiki Sato**, Osaka (JP)

(73) Assignee: **Toyo Tire & Rubber Co., Ltd.**, Osaka (JP)

(\*\*) Term: **14 Years**

(21) Appl. No.: **29/339,444**

(22) Filed: **Jun. 30, 2009**

(30) **Foreign Application Priority Data**

May 28, 2009 (JP) ..... 2009-011984

(51) **LOC (9) Cl.** ..... **12-15**

(52) **U.S. Cl.** ..... **D12/514; D12/531**

(58) **Field of Classification Search** ..... D12/505-532,  
D12/553, 555, 588, 590; 152/209.1, 209.8-209.19,  
152/209.25-209.28

See application file for complete search history.

(56) **References Cited**

**U.S. PATENT DOCUMENTS**

D390,817 S *	2/1998	Graas et al. ....	D12/516
D490,046 S *	5/2004	Fukunaga .....	D12/521
D497,143 S *	10/2004	Lee et al. ....	D12/532
D524,234 S *	7/2006	Schmalix et al. ....	D12/521
D562,757 S *	2/2008	Iwai .....	D12/519
D584,214 S *	1/2009	Mukai .....	D12/532
D588,521 S *	3/2009	Tomatsu et al. ....	D12/519

**FOREIGN PATENT DOCUMENTS**

JP 1309304 S 9/2007

\* cited by examiner

*Primary Examiner*—Stacia Cadmus

(74) *Attorney, Agent, or Firm*—Westerman, Hattori, Daniels & Adrian, LLP

(57) **CLAIM**

The ornamental design for an automobile tire, as shown and described.

**DESCRIPTION**

FIG. 1 is a front elevation view of an automobile tire showing my new design;

FIG. 2 is a rear elevation view thereof;

FIG. 3 is a left-side elevation view thereof;

FIG. 4 is a right-side elevation view thereof;

FIG. 5 is a top plan view thereof;

FIG. 6 is a perspective view thereof;

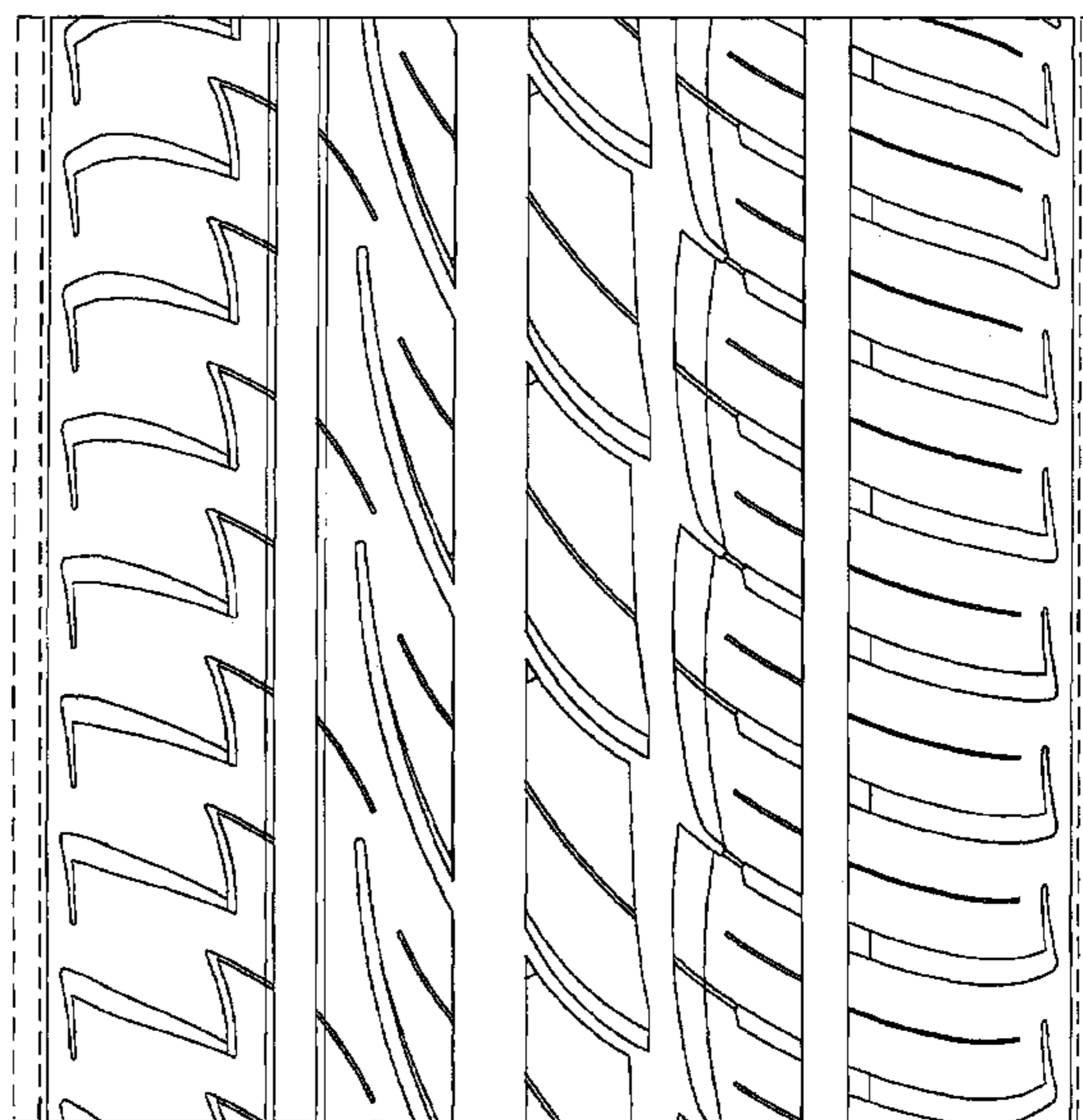
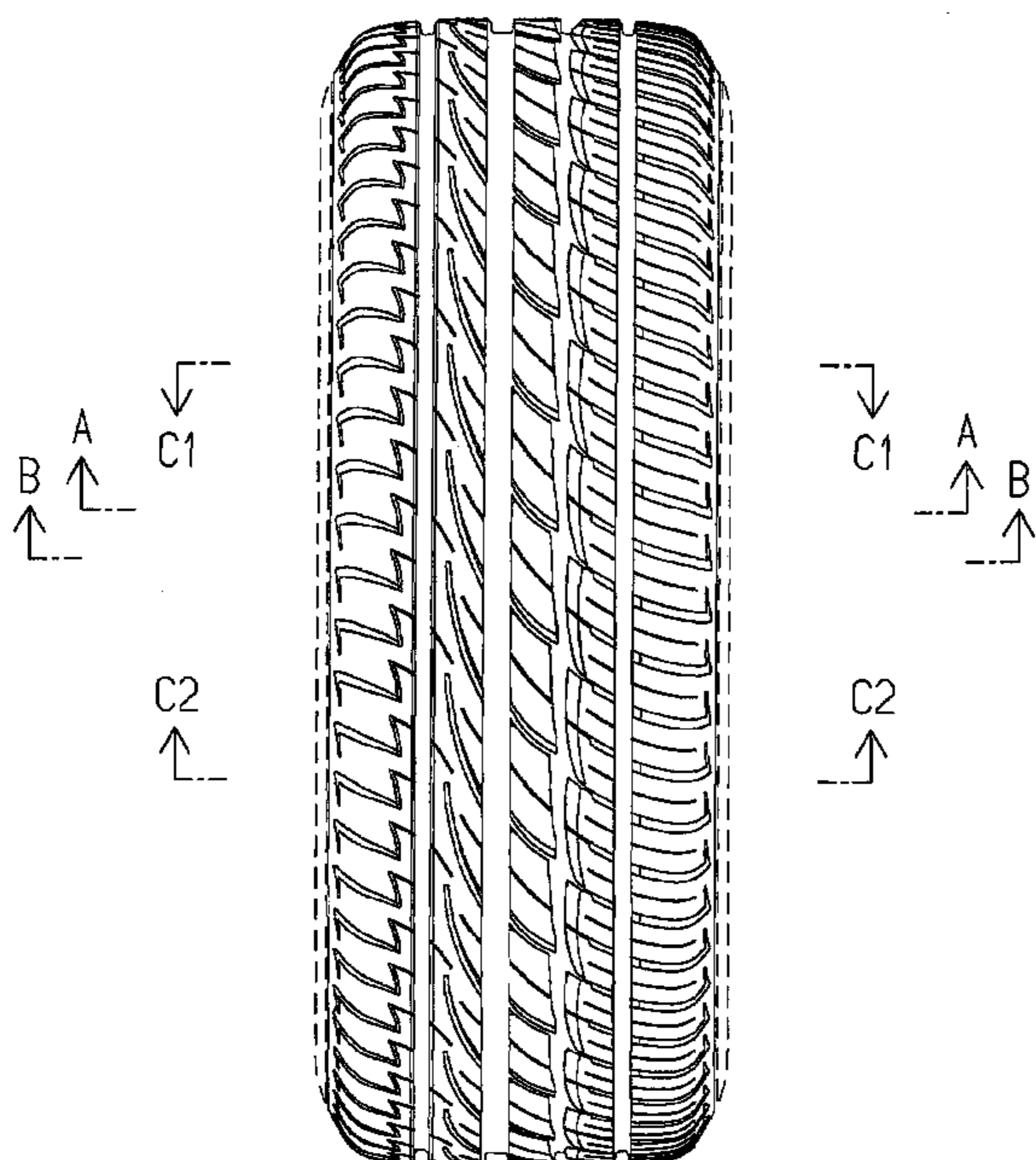
FIG. 7 is an enlarged view of the part C1-C2 in FIG. 1 thereof;

FIG. 8 is an enlarged cross-section view taken along the line A-A of FIG. 1, in the D-D part of FIG. 4 thereof; and,

FIG. 9 is an enlarged cross-section view taken along the line B-B of FIG. 1, in the D-D part of FIG. 4 thereof.

In the drawings, the broken lines defining the inner bead and sidewall depict environmental subject matter and form no part of the claimed design.

**1 Claim, 9 Drawing Sheets**



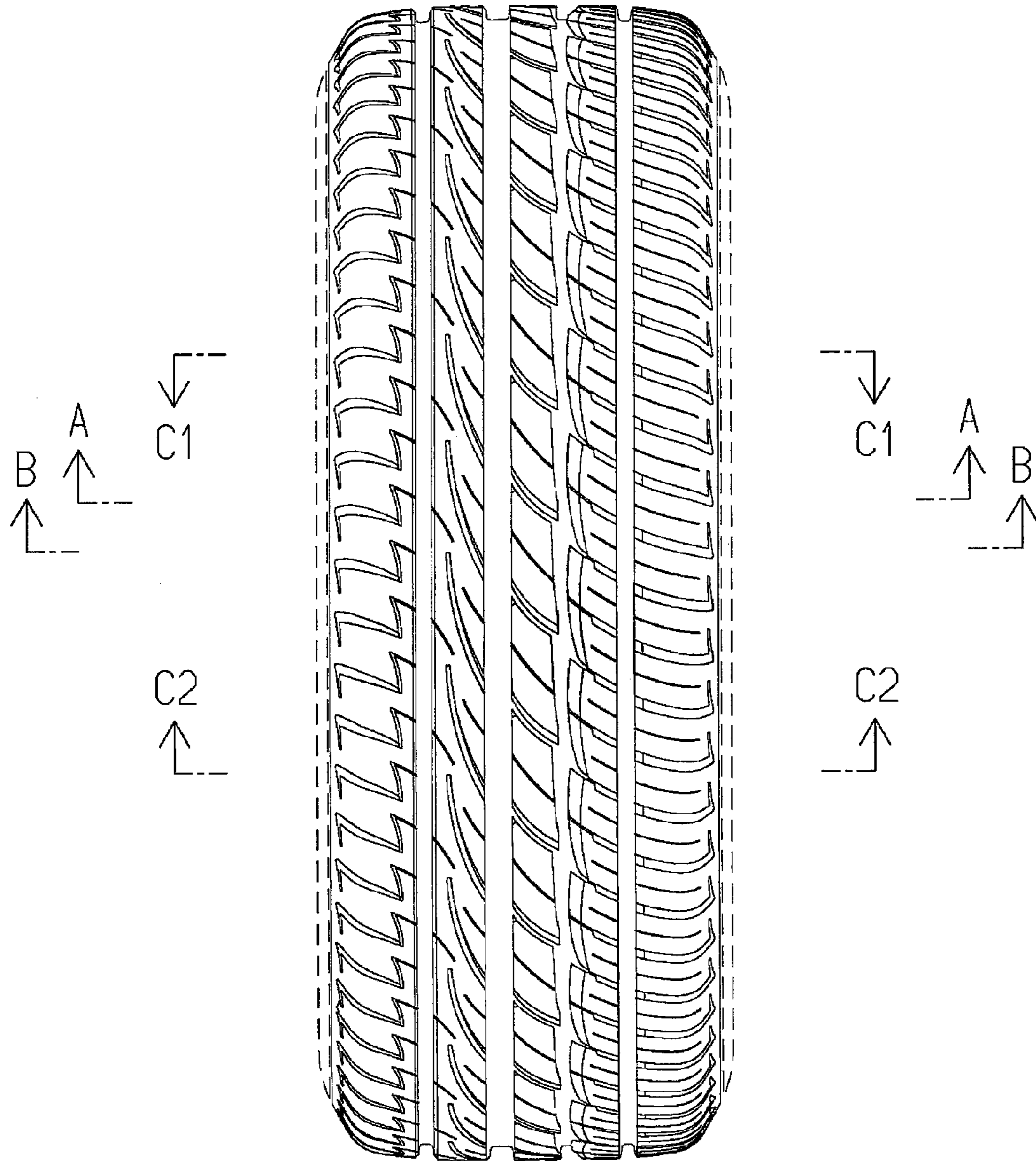


FIG. 1

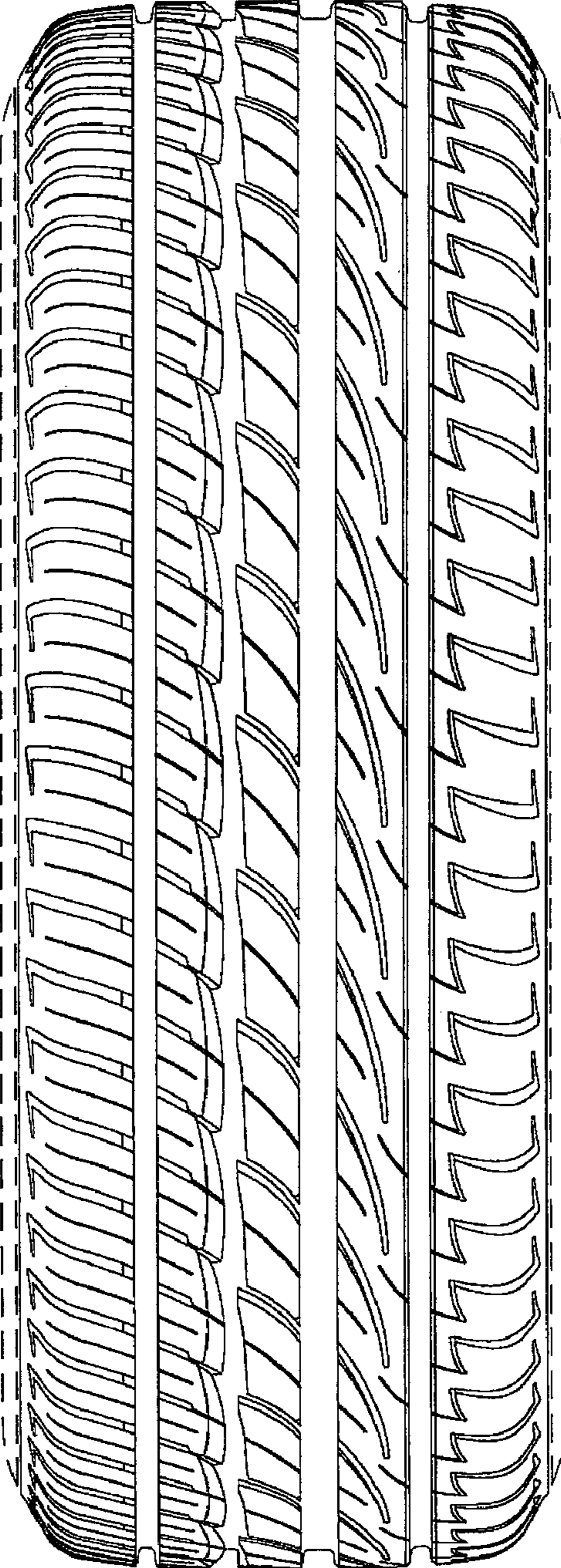


FIG.2

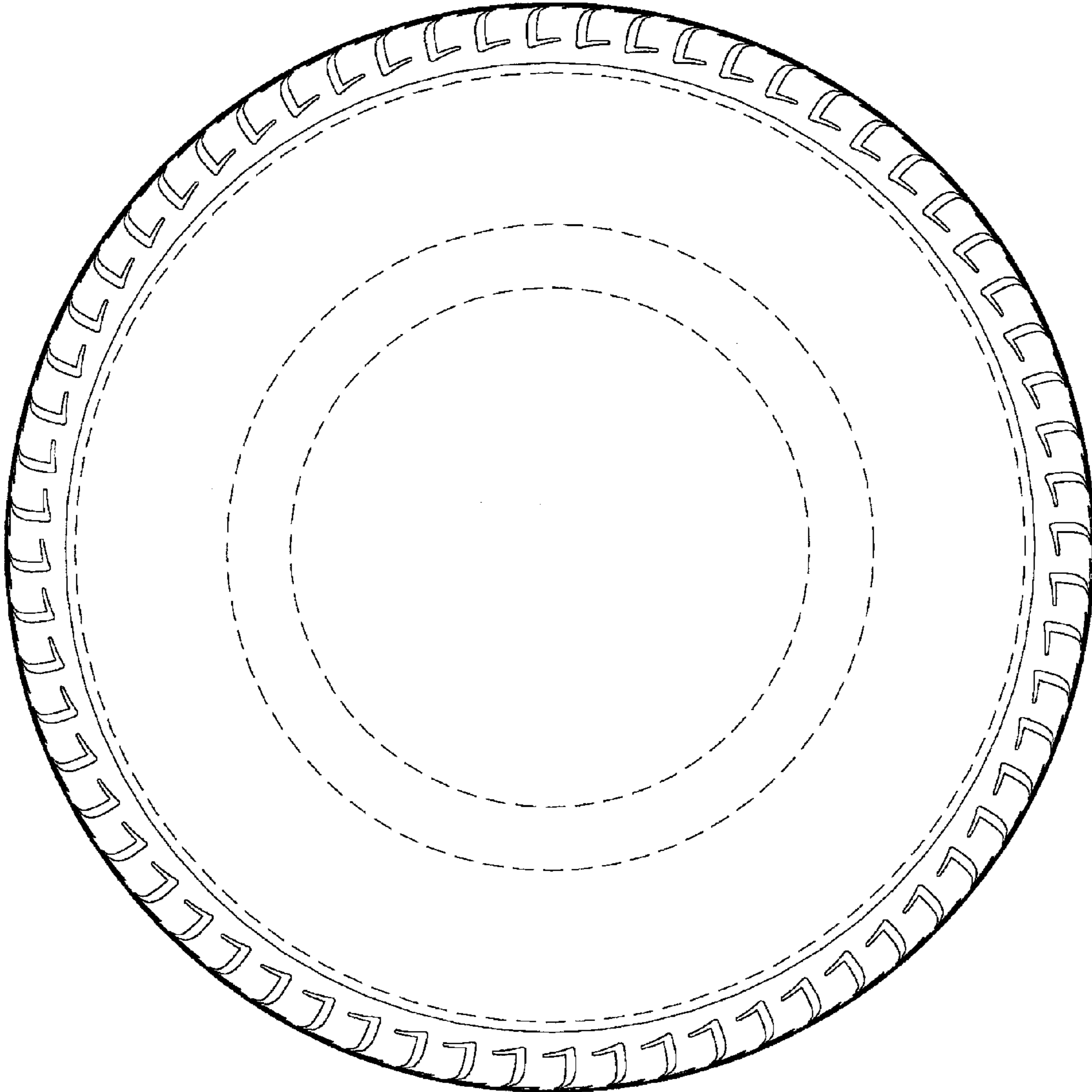


FIG.3

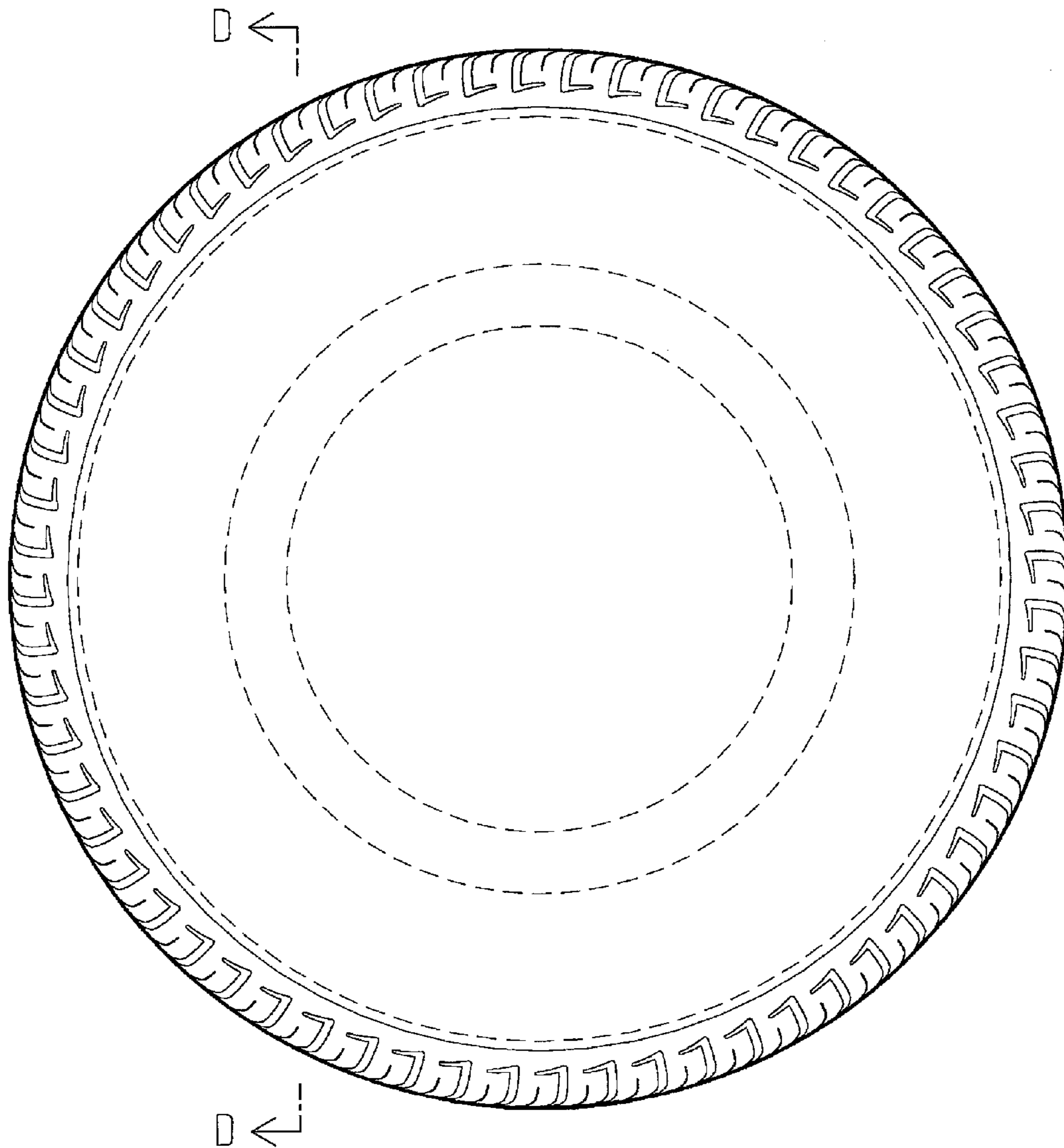


FIG.4

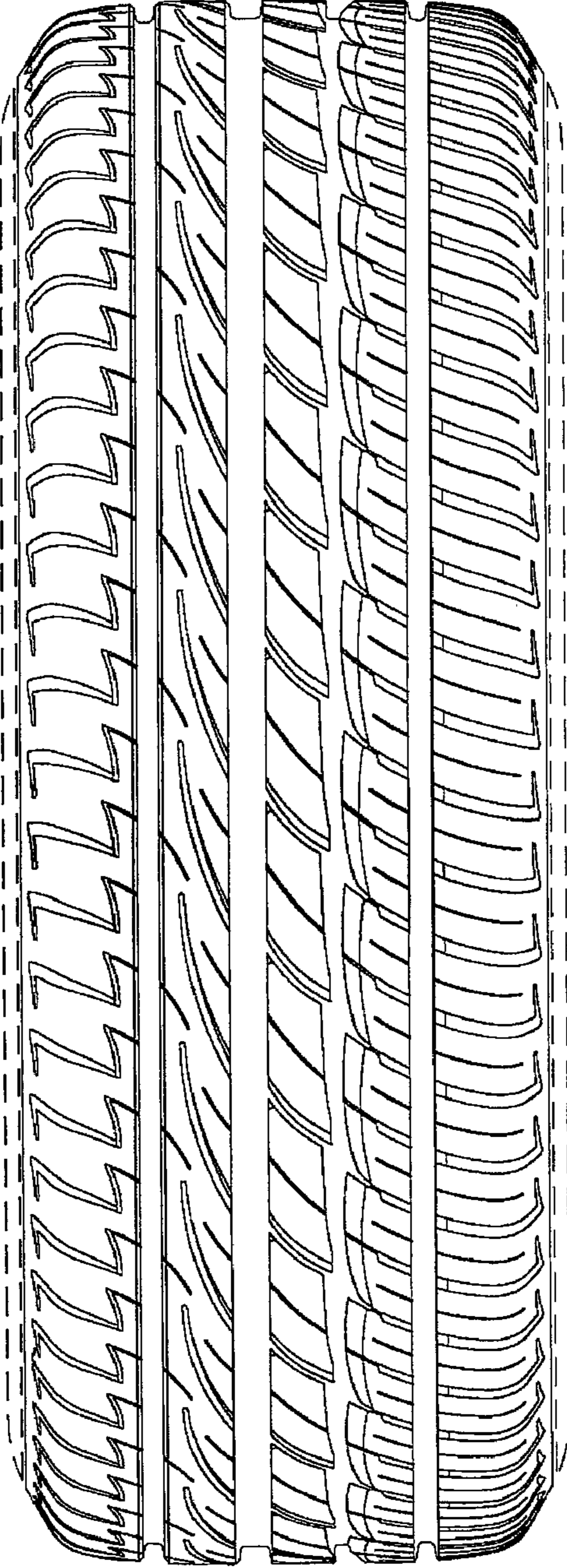


FIG.5

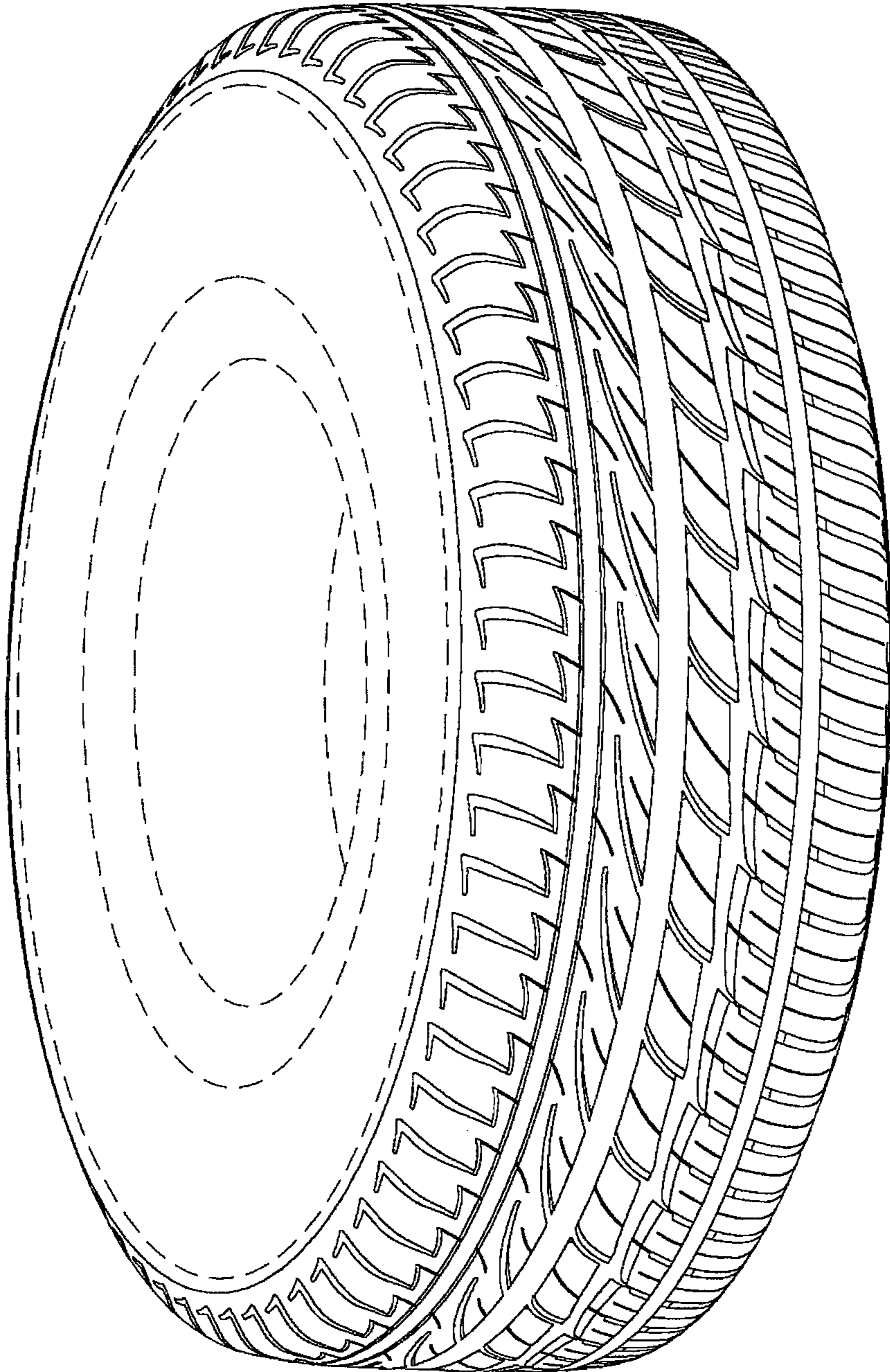


FIG.6

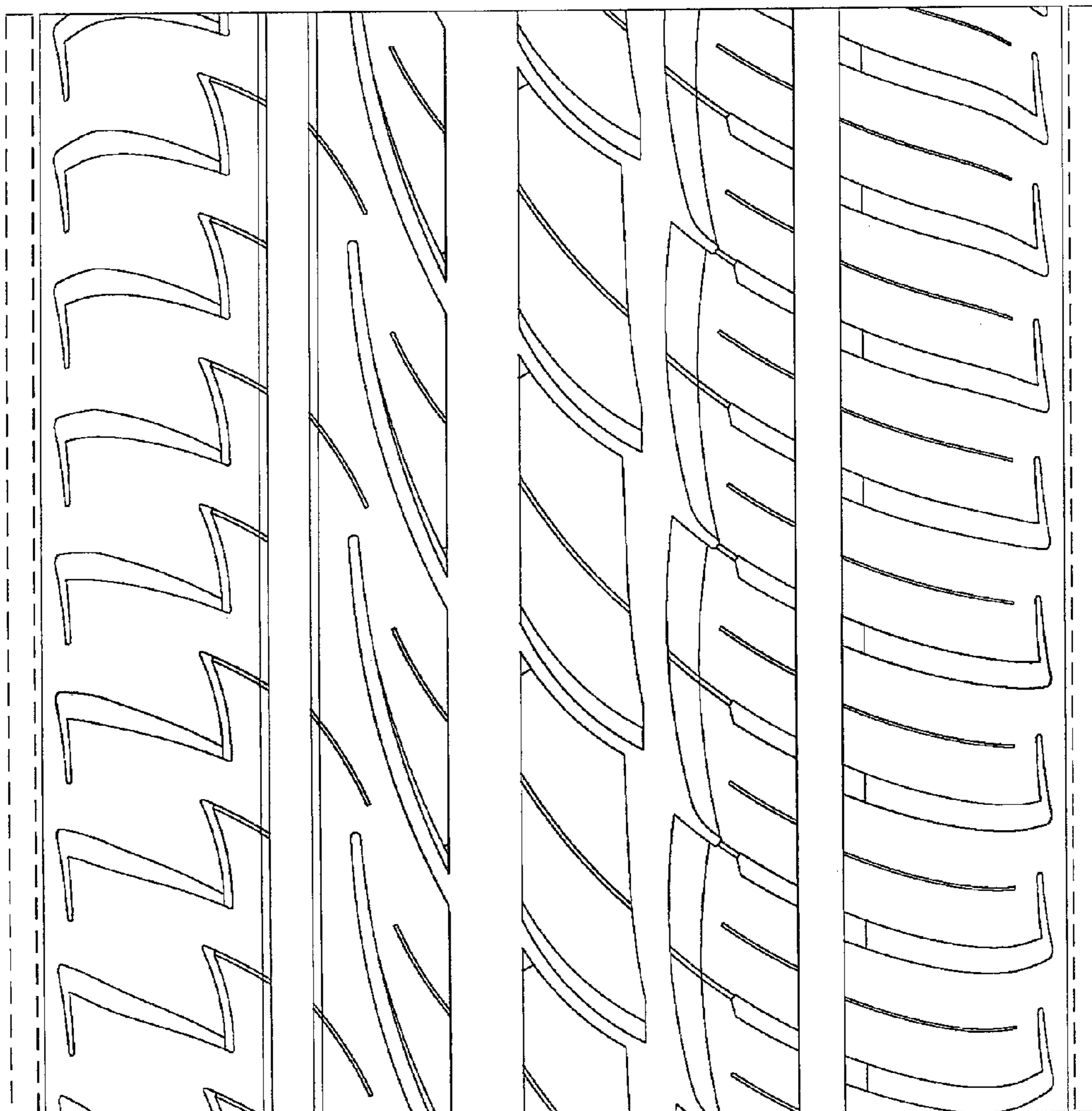


FIG. 7



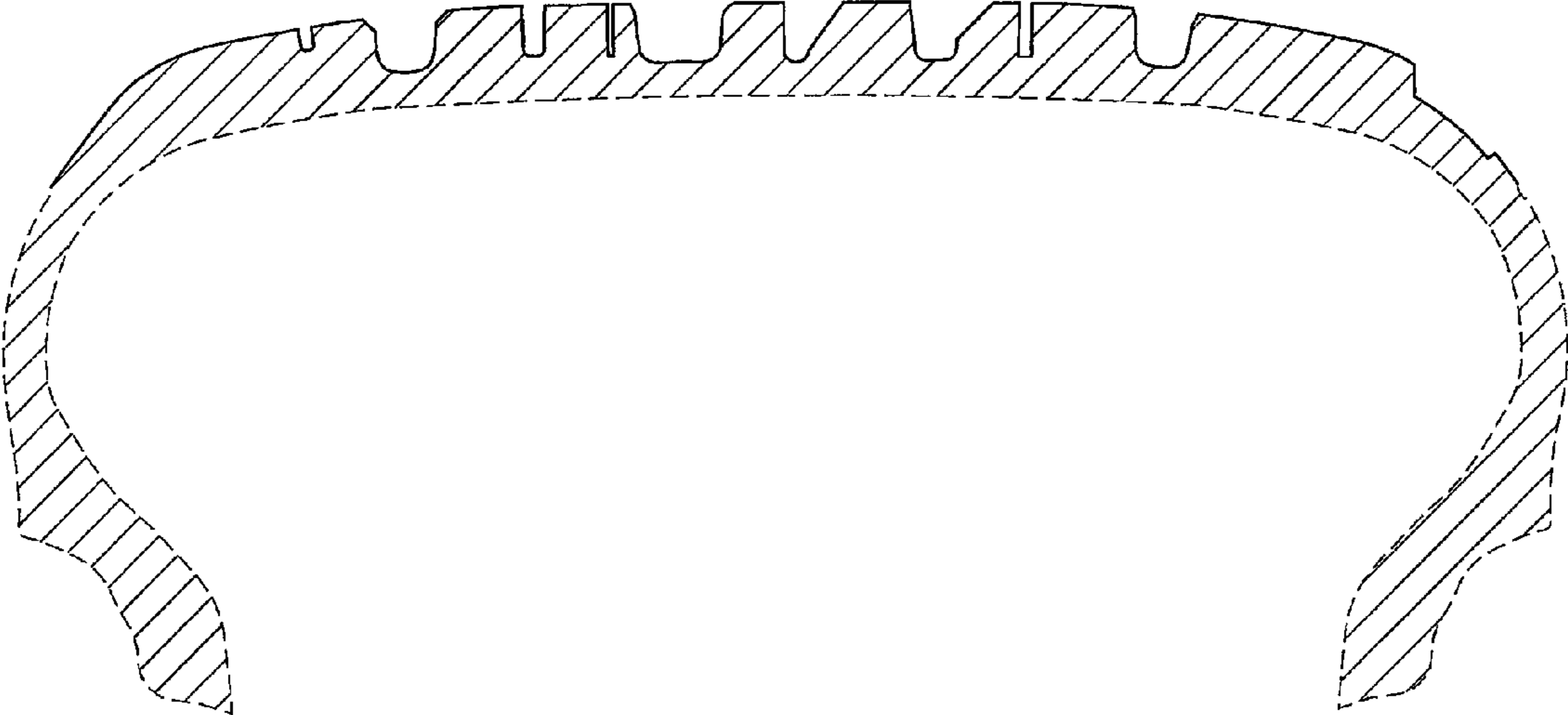


FIG. 8

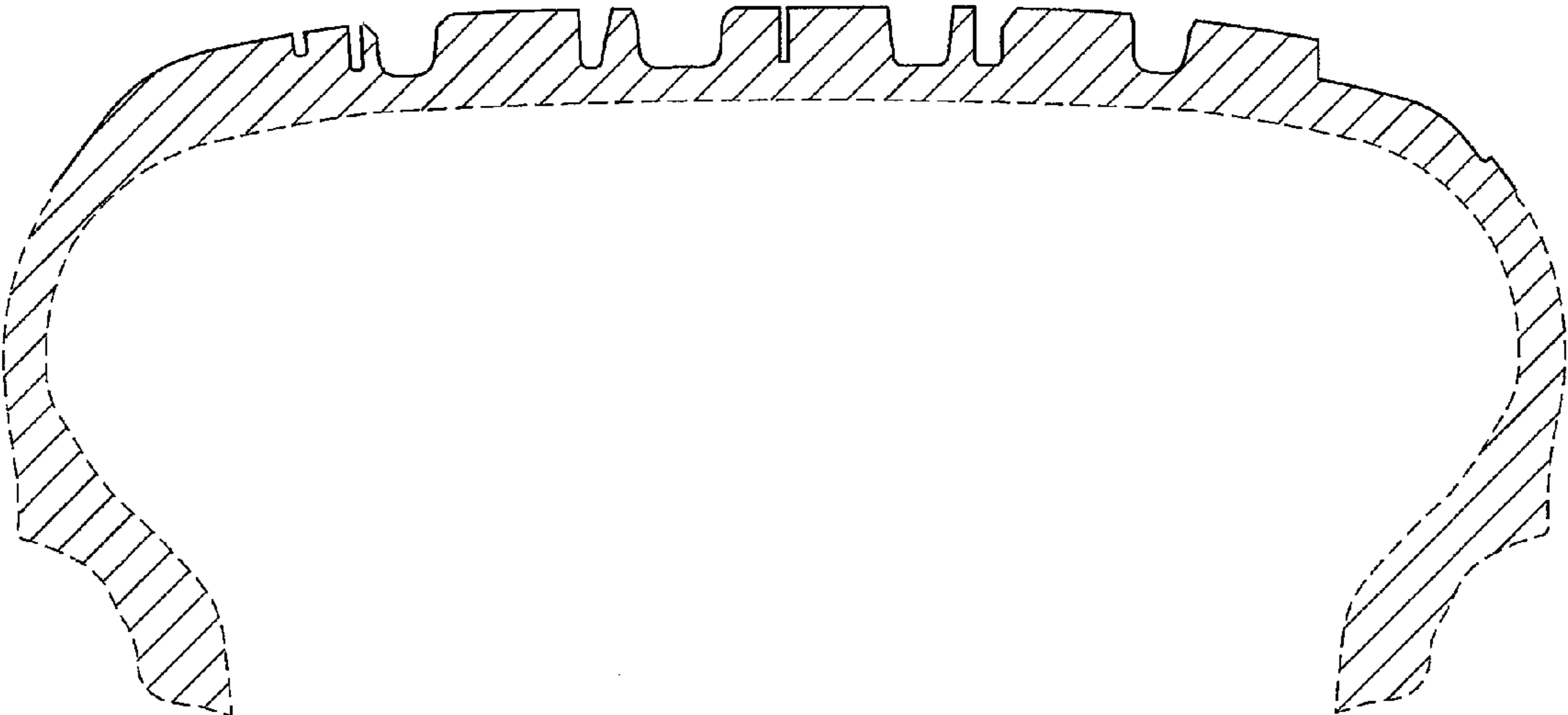


FIG.9