



US00D604686S

(12) **United States Design Patent**  
**Yan et al.**

(10) **Patent No.:** **US D604,686 S**  
(45) **Date of Patent:** **\*\* Nov. 24, 2009**

(54) **ENGINE FUEL TANK**

(75) Inventors: **Miao Yan**, Jiangsu (CN); **Bian Ming**,  
Jiansu (CN); **Hu Jianguo**, Jiangsu (CN);  
**Cheng Lei**, Jiangsu (CN)

(73) Assignee: **Jiangsu Lister Utility Engine**  
**Manufacturing Company, Ltd.**,  
Travelers Rest, SC (US)

(\*\*) Term: **14 Years**

(21) Appl. No.: **29/294,376**

(22) Filed: **Jan. 8, 2008**

(51) **LOC (9) Cl.** ..... **12-06**

(52) **U.S. Cl.** ..... **D12/218; D15/5**

(58) **Field of Classification Search** ..... D12/319,  
D12/345, 400, 218, 197, 317; 244/135 R;  
220/4.14, 4.15, 562; D15/1, 5, 28  
See application file for complete search history.

(56) **References Cited**

**U.S. PATENT DOCUMENTS**

3,286,871	A *	11/1966	Eberline	.....	220/4.14
D243,520	S	3/1977	Brown		
D282,921	S *	3/1986	Eureka et al.	.....	D12/218
D293,262	S *	12/1987	Sayward	.....	D23/202
D364,845	S	12/1995	Witthaus		
5,547,096	A *	8/1996	Kleyn	.....	220/4.14
6,179,145	B1 *	1/2001	Roth	.....	220/4.14
D446,494	S	8/2001	Martin		
D503,667	S *	4/2005	Keefer et al.	.....	D12/197
D503,723	S *	4/2005	Giddens	.....	D15/1
D516,580	S *	3/2006	Li	.....	D15/1

D521,024	S *	5/2006	Giddens	.....	D15/1
D529,046	S *	9/2006	Maeda et al.	.....	D15/1
D543,995	S *	6/2007	Tanaka et al.	.....	D15/5
D566,640	S *	4/2008	Holz et al.	.....	12/197

\* cited by examiner

*Primary Examiner*—Ian Simmons

*Assistant Examiner*—Dana L Sipos

(74) *Attorney, Agent, or Firm*—J. Bennett Mullinax, LLC

(57) **CLAIM**

The ornamental design for an engine fuel tank, as shown and described.

**DESCRIPTION**

FIG. 1 is a front elevation view of an engine fuel tank according to the present invention;

FIG. 2 is a top plan view for an engine fuel tank as shown in FIG. 1;

FIG. 3 is a bottom plan view for an engine fuel tank as shown in FIG. 1;

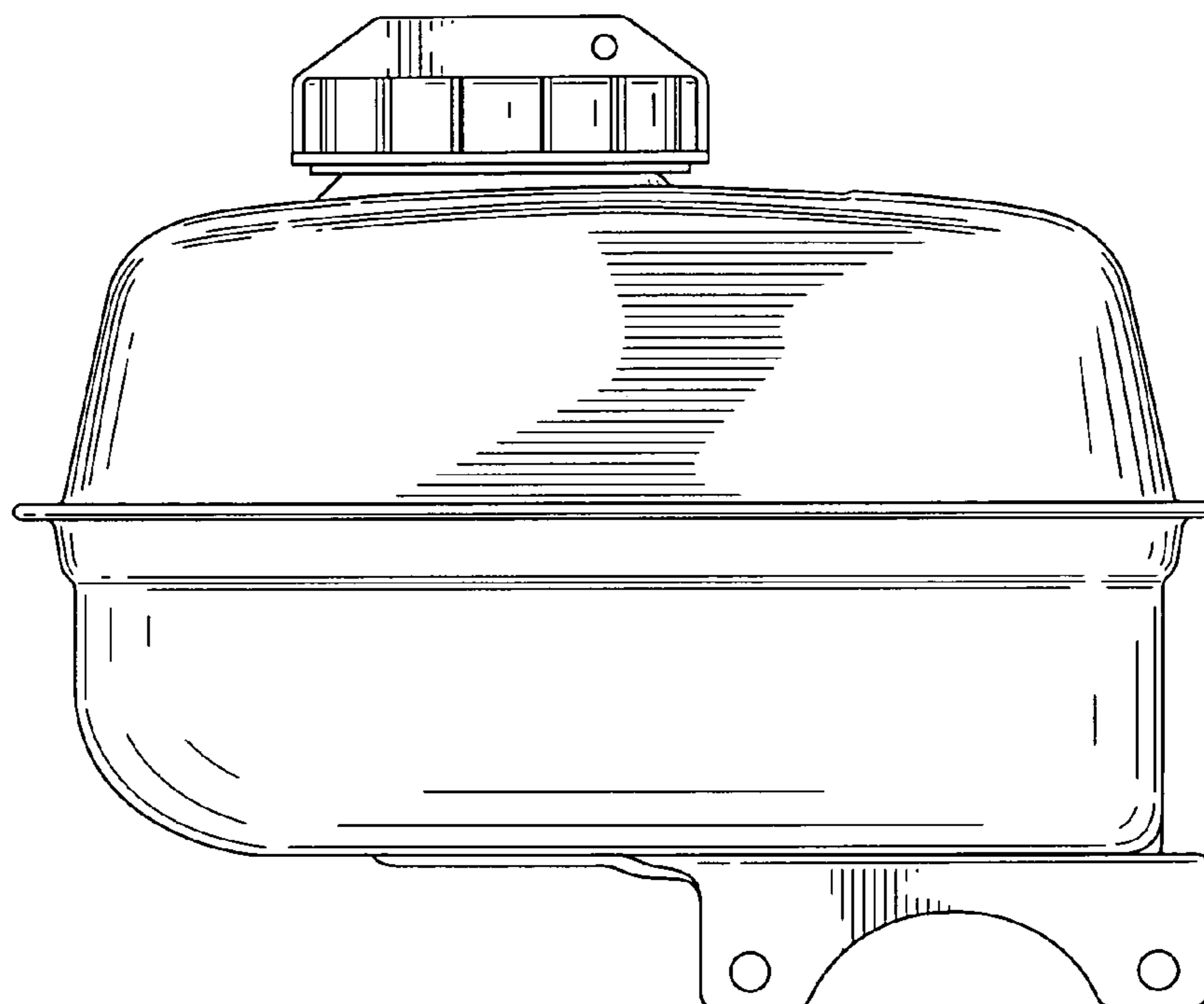
FIG. 4 is a left side elevation view for an engine fuel tank as shown in FIG. 1;

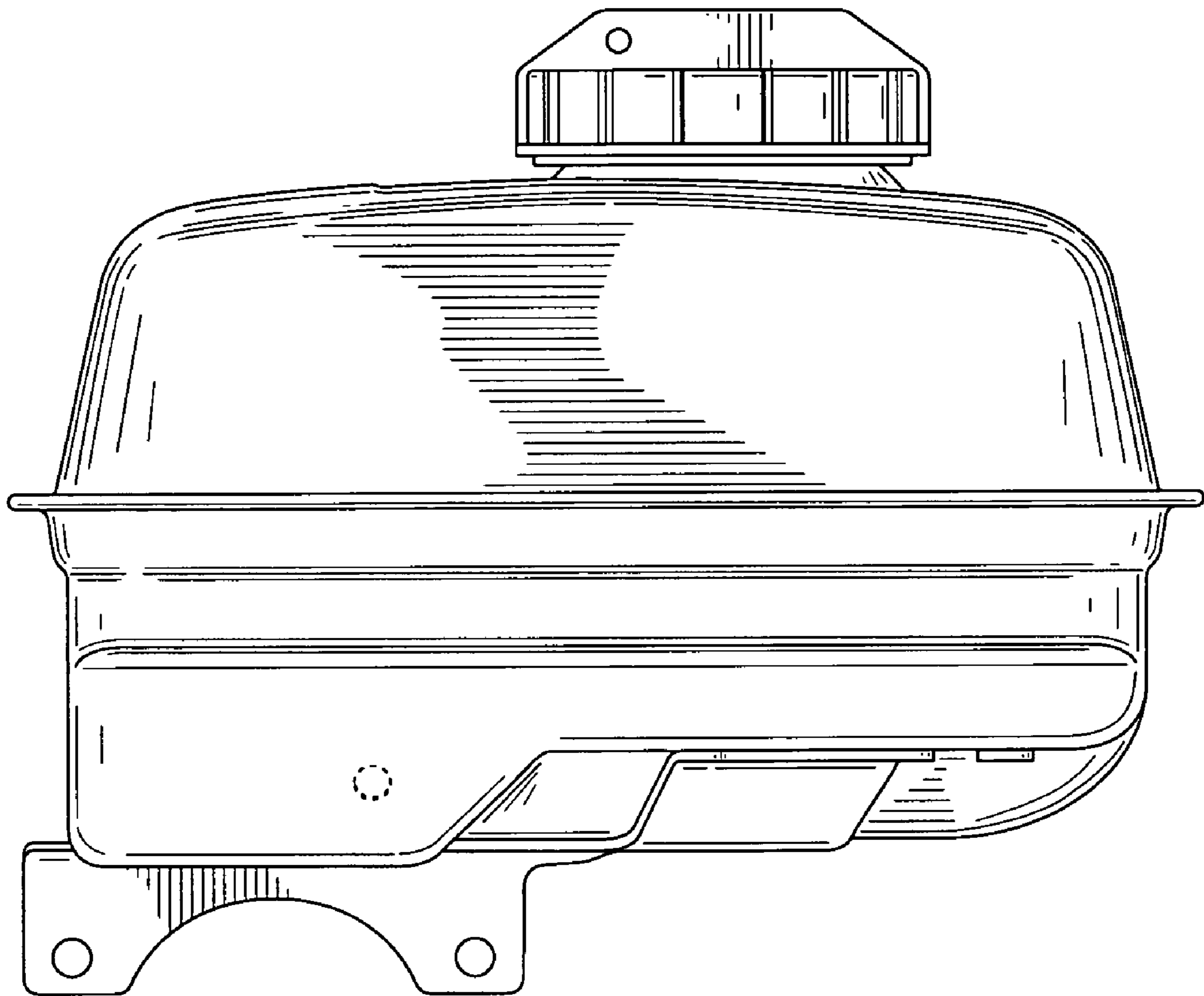
FIG. 5 is a right side elevation view for an engine fuel tank as shown in FIG. 1; and,

FIG. 6 is a rear elevation view for an engine fuel tank as shown in FIG. 1.

The features shown in broken lines in FIGS. 1, 2 and 3 depict portions of the engine fuel tank that form no part of the claimed design.

**1 Claim, 6 Drawing Sheets**





**FIG. 1**

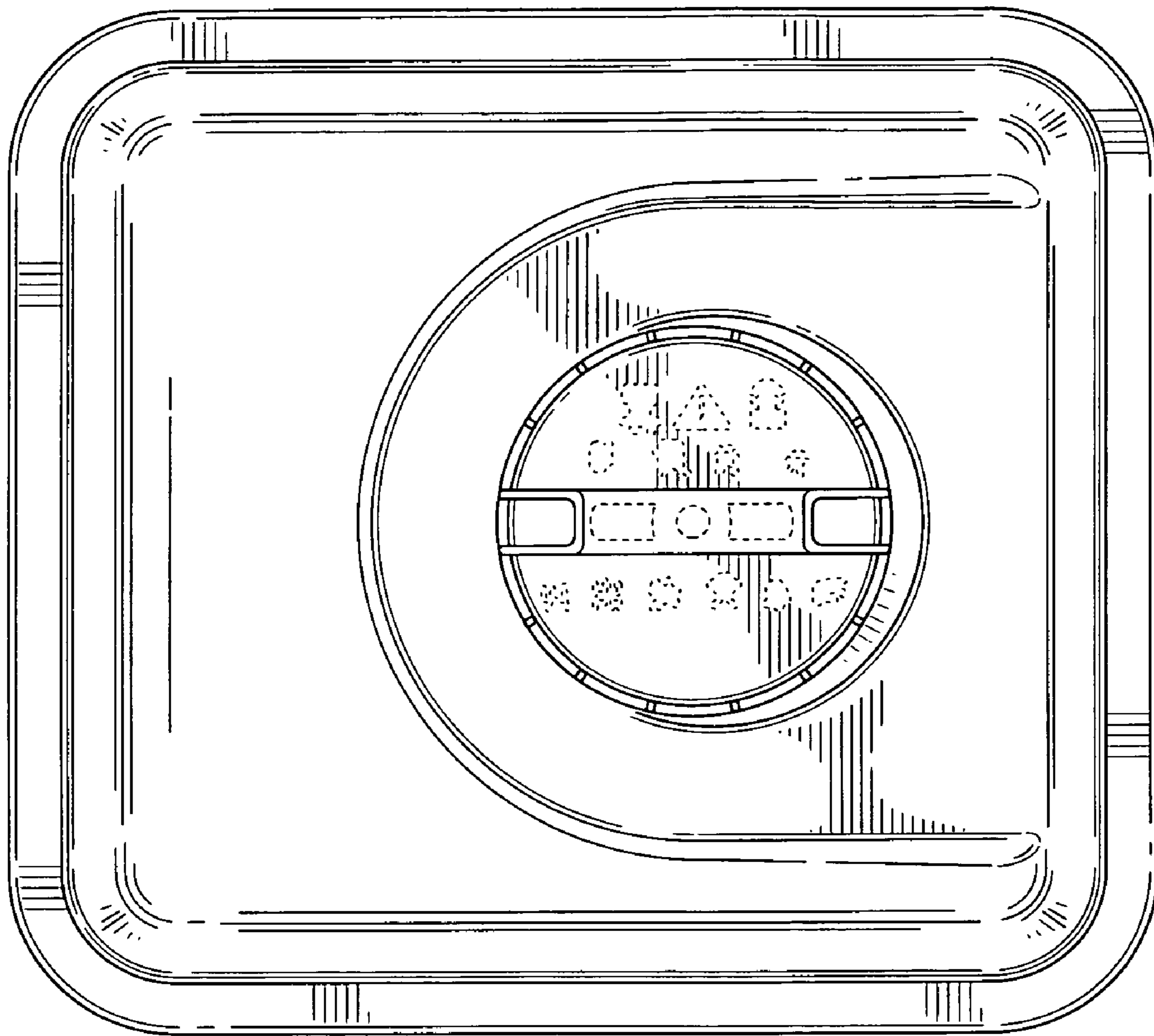


FIG. 2

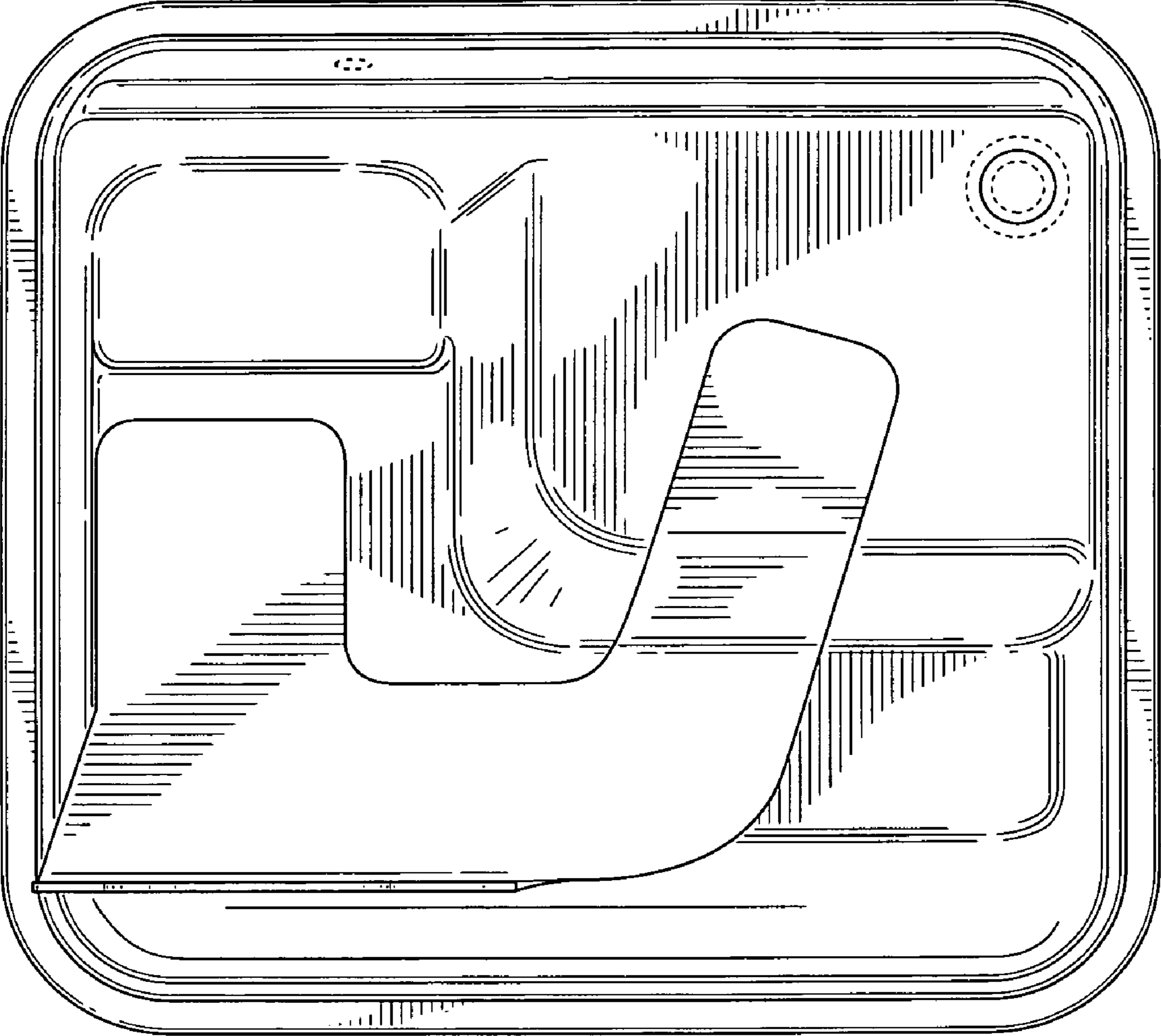
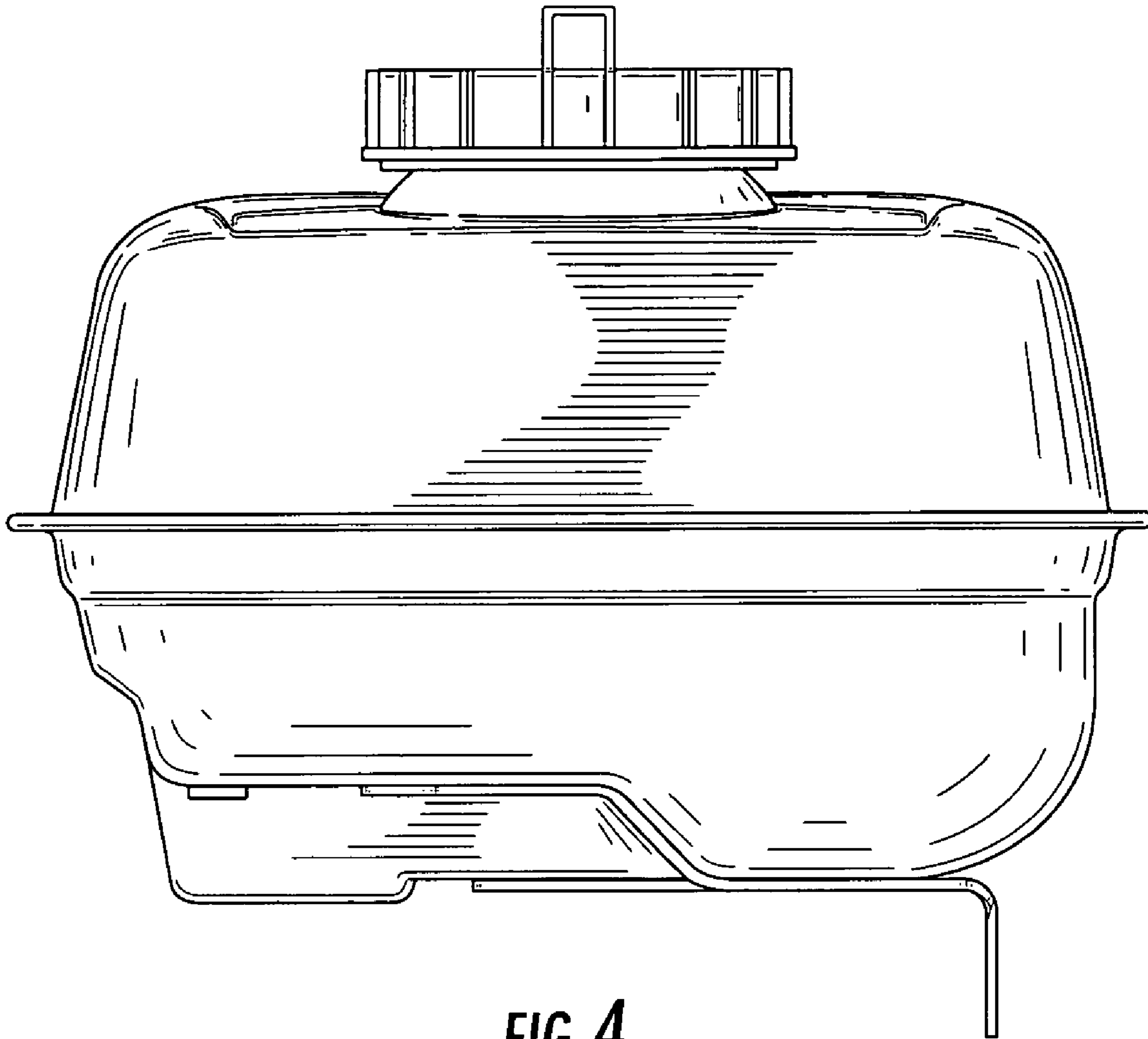


FIG. 3



**FIG. 4**

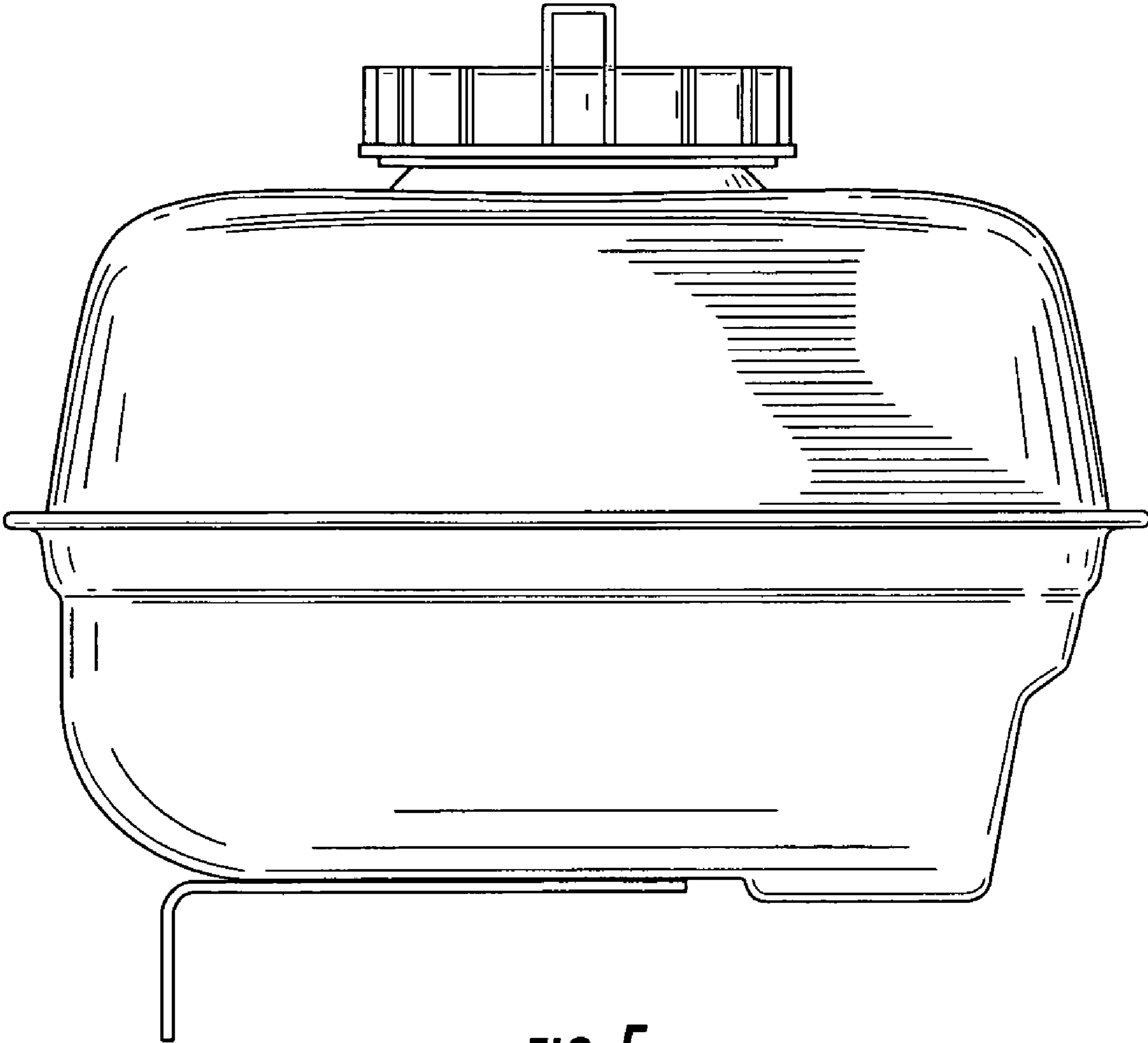


FIG. 5

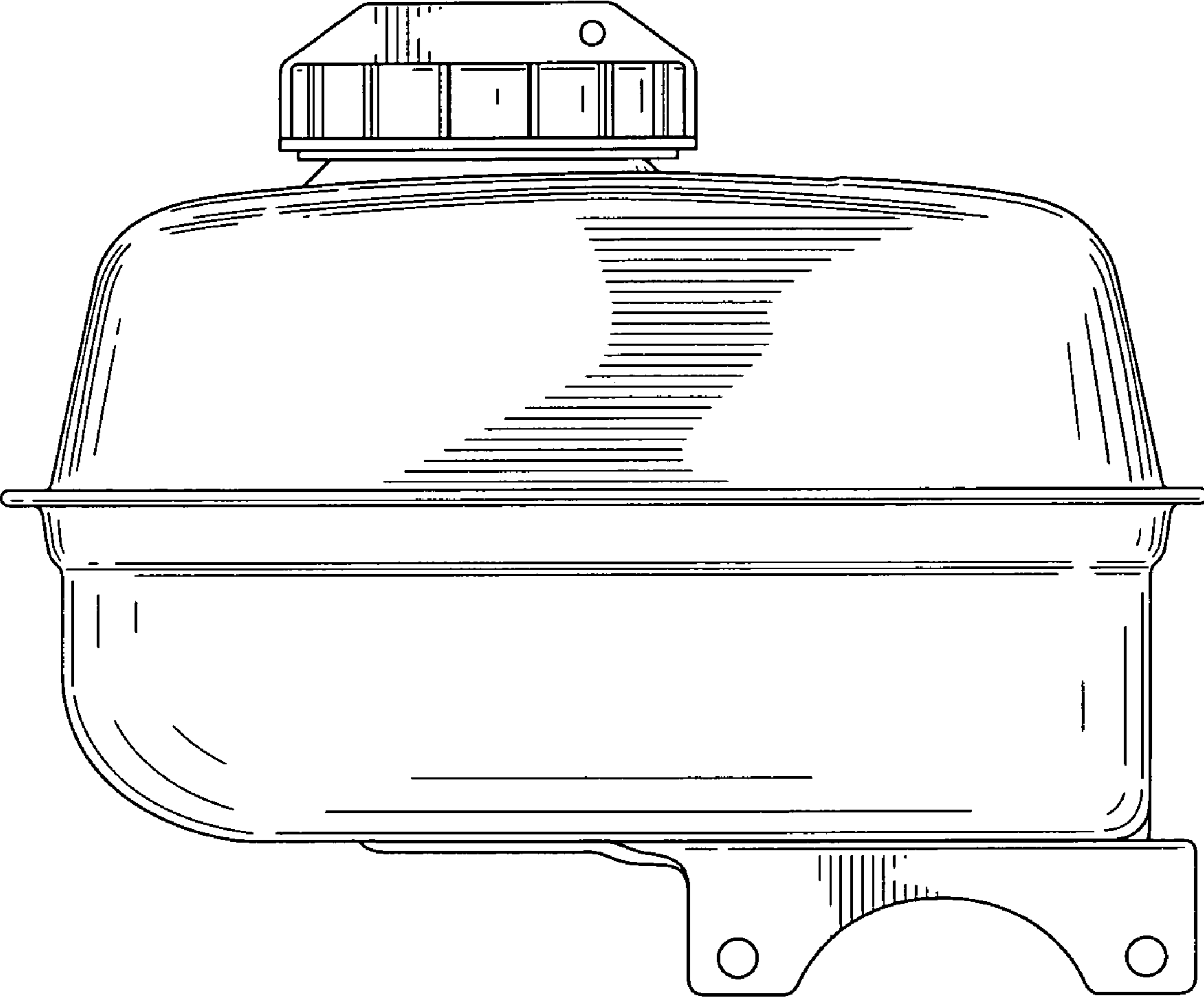


FIG. 6