

US00D604685S

(12) **United States Design Patent**  
**Zhou et al.**

(10) **Patent No.:** **US D604,685 S**

(45) **Date of Patent:** **\*\* Nov. 24, 2009**

(54) **CAR RIM WHEEL**

(75) Inventors: **Yin Zhou**, Shenzhen (CN); **Jun Zhang**,  
Shenzhen (CN); **Kaiqing Chen**,  
Shenzhen (CN)

(73) Assignee: **BYD Company Limited** (CN)

(\*\*) Term: **14 Years**

(21) Appl. No.: **29/334,232**

(22) Filed: **Mar. 23, 2009**

(30) **Foreign Application Priority Data**

Oct. 10, 2008 (CN) ..... 2008 3 0252024

(51) **LOC (9) Cl.** ..... **12-16**

(52) **U.S. Cl.** ..... **D12/211**

(58) **Field of Classification Search** ..... D12/204-213;  
301/37.101, 64.101, 65

See application file for complete search history.

(56) **References Cited**

**U.S. PATENT DOCUMENTS**

D375,073 S	10/1996	Theiss
D452,838 S	1/2002	Hieke
D504,649 S	5/2005	Pfeiffer
D504,858 S	5/2005	Pfeiffer
D513,221 S	12/2005	Pfeiffer
D515,996 S	2/2006	Baumgartner
D526,268 S	8/2006	Pfeiffer
D528,059 S	9/2006	Hieke
D536,294 S	2/2007	Laungerer
D537,027 S	2/2007	Hieke

D551,150 S	9/2007	Hueller	
D560,152 S	1/2008	Nordmann	
D580,841 S *	11/2008	Gallert	D12/211
D583,021 S *	12/2008	Downey et al.	D23/250
D583,739 S *	12/2008	Gallert	D12/209
D584,674 S *	1/2009	Chung	D12/211
D585,351 S	1/2009	Hieke	
D589,425 S *	3/2009	Theiss	D12/209
D593,477 S	6/2009	Chen et al.	

**OTHER PUBLICATIONS**

USPTO Transaction History of related U.S. Appl. No. 29/300,803, filed Jan. 14, 2009, entitled "Car Rim" now U.S. Patent No. D593,477.

\* cited by examiner

*Primary Examiner*—Caron Veynar

*Assistant Examiner*—Katrina A Kile

(74) *Attorney, Agent, or Firm*—Greenberg Traurig, LLP

(57) **CLAIM**

The ornamental design for a car rim wheel, as shown and described.

**DESCRIPTION**

FIG. 1 is a front view of a car rim wheel in accordance with the present design;

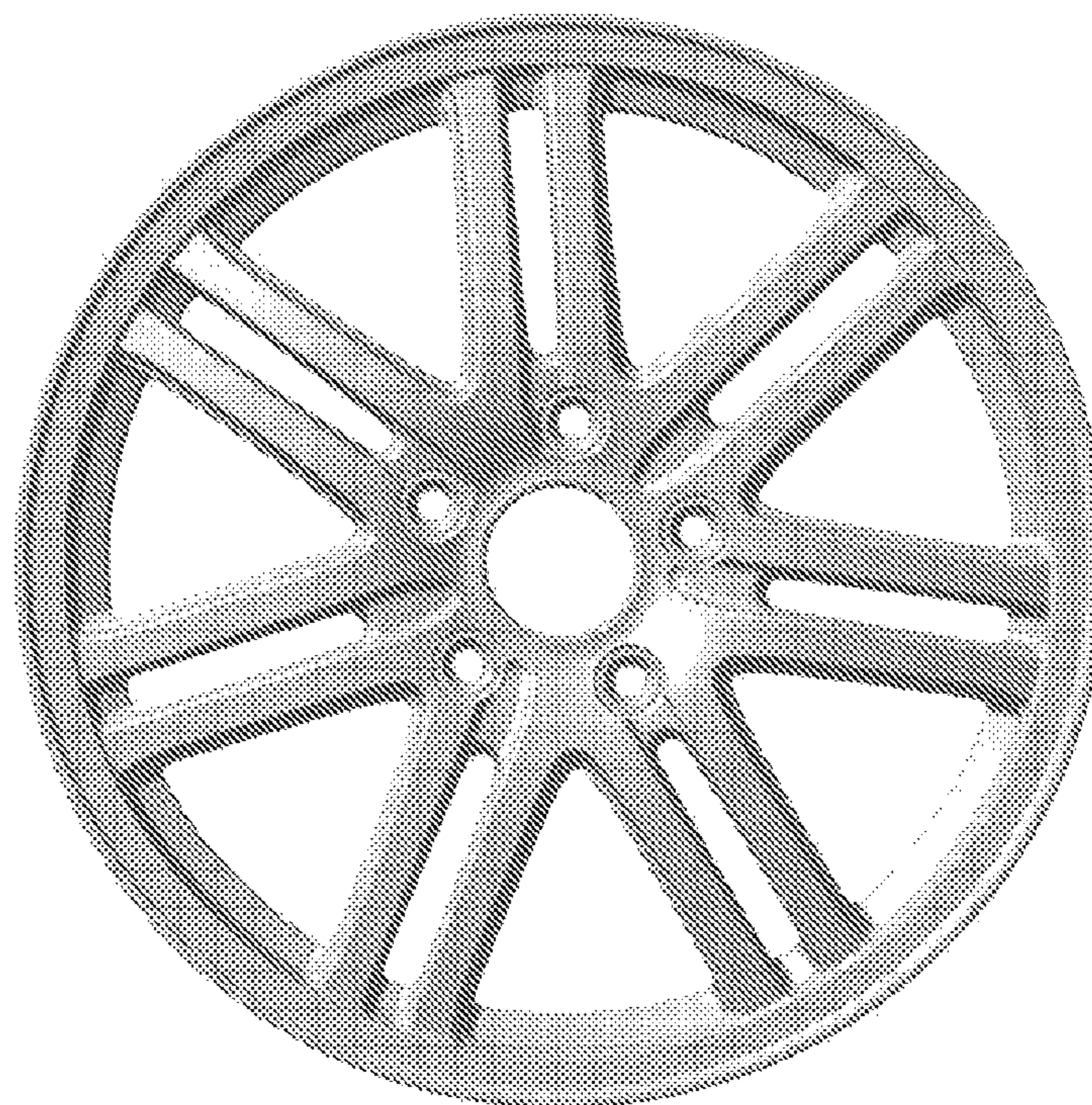
FIG. 2 is a rear view of the car rim wheel;

FIG. 3 is a left side view of the car rim wheel;

FIG. 4 is a top plan view of the car rim wheel; and,

FIG. 5 is a perspective view of the car rim wheel.

**1 Claim, 3 Drawing Sheets**





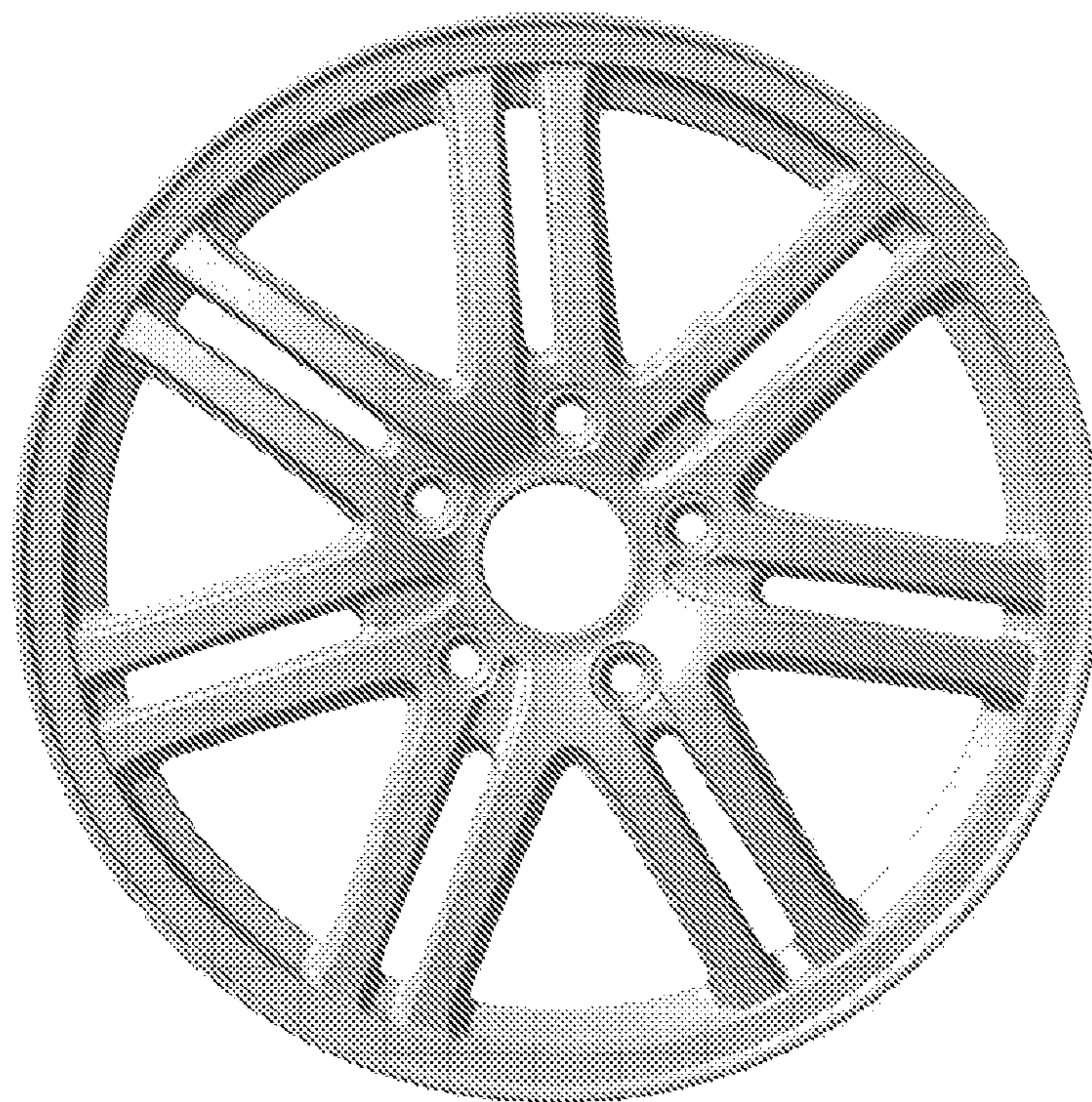


FIG. 1

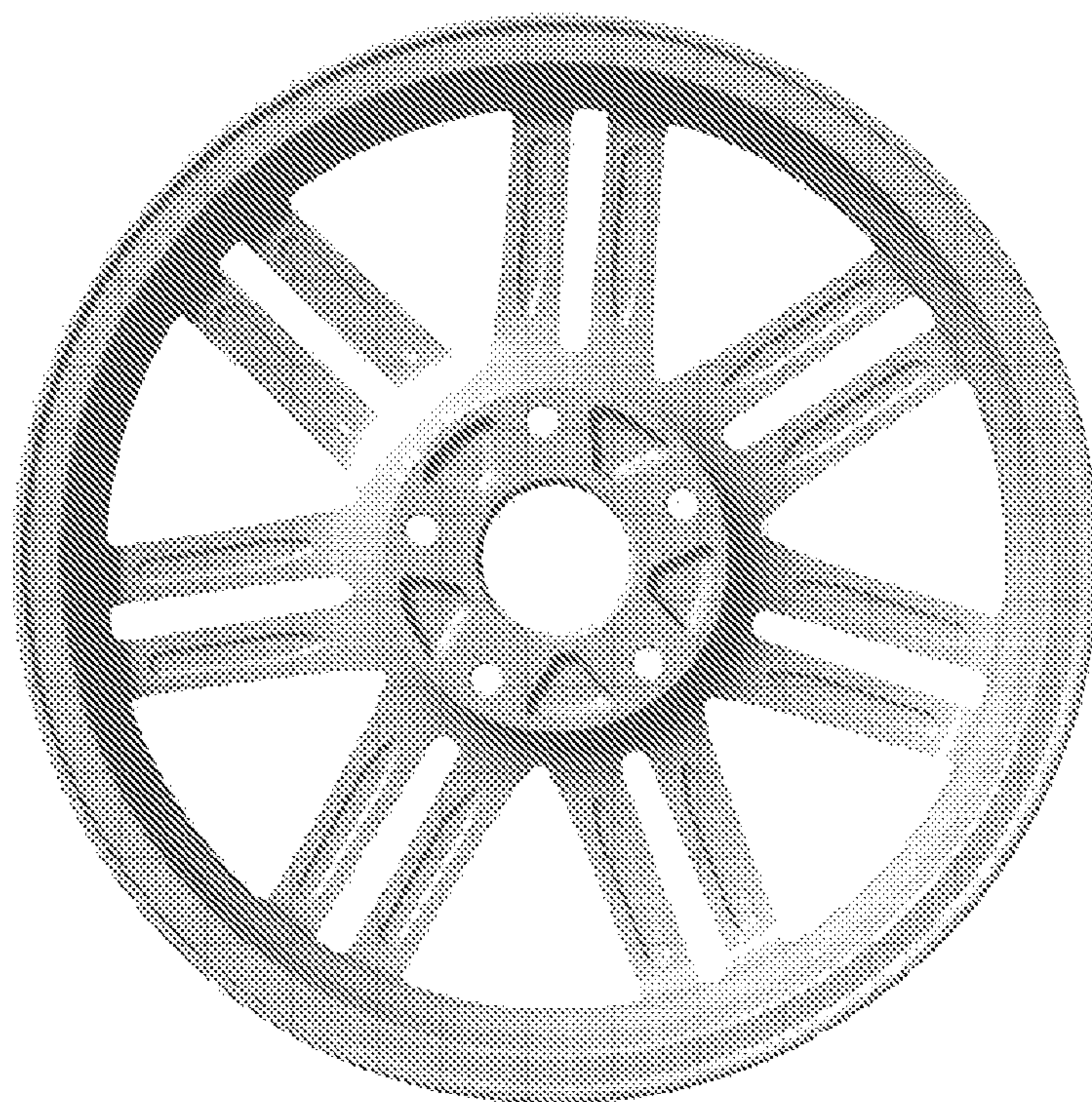


FIG. 2





FIG. 3

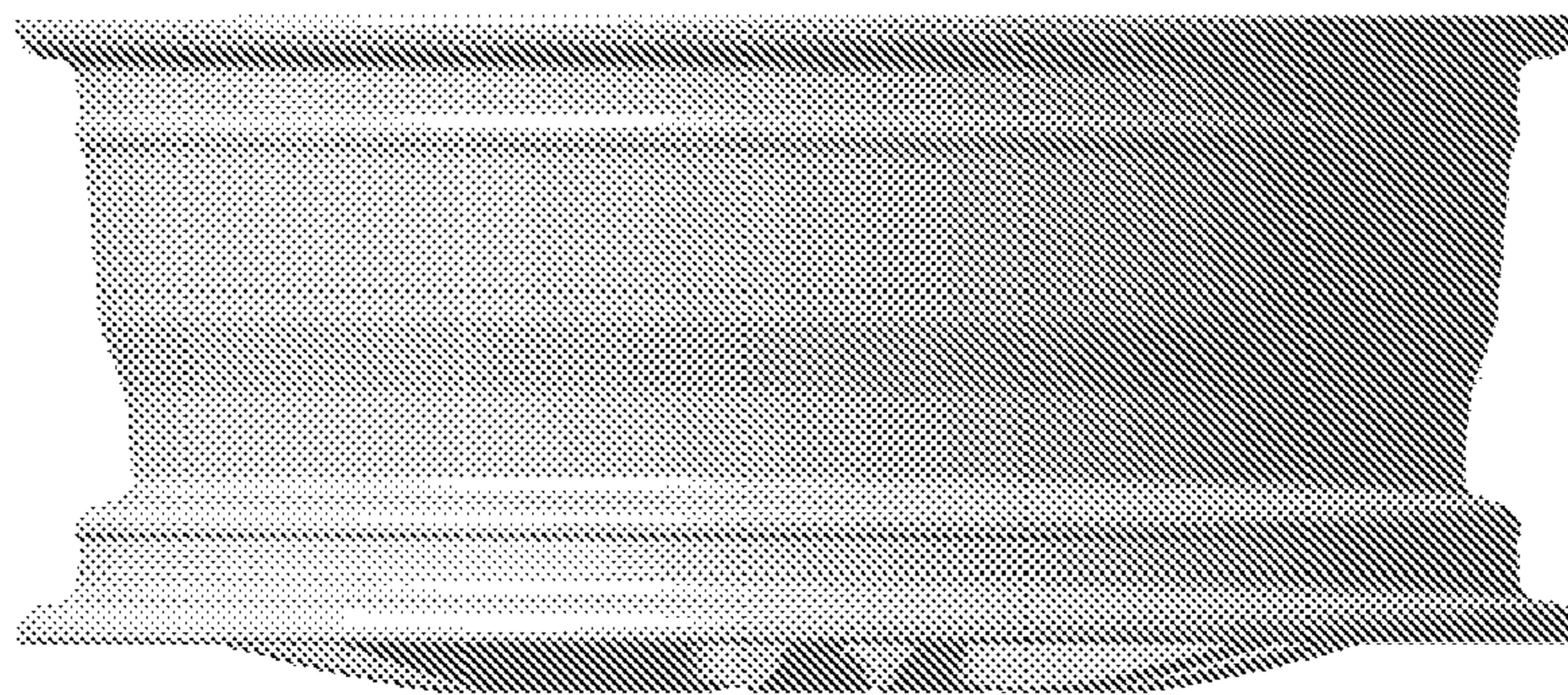


FIG. 4



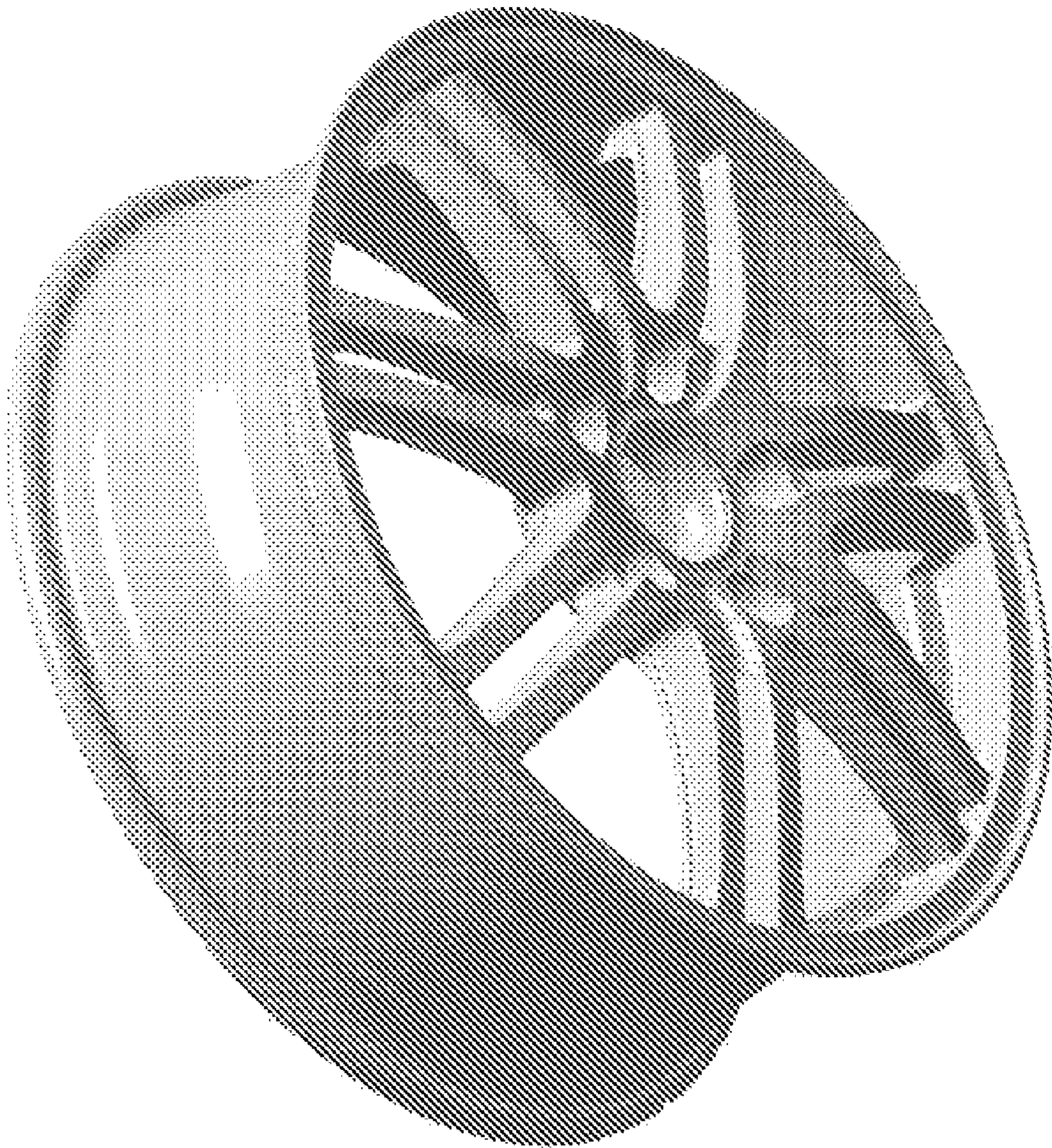


FIG. 5