



US00D604684S

(12) **United States Design Patent**  
**Spoerle**

(10) **Patent No.:** **US D604,684 S**

(45) **Date of Patent:** **\*\* Nov. 24, 2009**

(54) **WHEEL OR WHEEL COVER**

(75) Inventor: **Frank Spoerle**, Leonberg (DE)

(73) Assignee: **Daimler AG**, Stuttgart (DE)

(\*\*) Term: **14 Years**

(21) Appl. No.: **29/311,793**

(22) Filed: **Jun. 24, 2009**

(30) **Foreign Application Priority Data**

Feb. 11, 2009 (EM) ..... 001086375-0001

(51) **LOC (9) Cl.** ..... **12-16**

(52) **U.S. Cl.** ..... **D12/211**

(58) **Field of Classification Search** ..... D12/204-213;  
301/37.101, 64.101, 65

See application file for complete search history.

(56) **References Cited**

**U.S. PATENT DOCUMENTS**

D577,649 S \* 9/2008 Ettensberger ..... D12/211

D578,455 S \* 10/2008 Pfeiffer ..... D12/211

D578,948 S \* 10/2008 Asada et al. .... D12/211

D579,846 S \* 11/2008 Chung ..... D12/209

D585,009 S \* 1/2009 Rak ..... D12/211

D590,318 S \* 4/2009 Theiss ..... D12/211

D596,551 S \* 7/2009 Futschik et al. .... D12/211

D597,015 S \* 7/2009 Juergens et al. .... D12/211

\* cited by examiner

*Primary Examiner*—Caron Veynar

*Assistant Examiner*—Katrina A Kile

(74) *Attorney, Agent, or Firm*—Crowell & Moring LLP

(57) **CLAIM**

The ornamental design for a wheel or wheel cover, as shown and described.

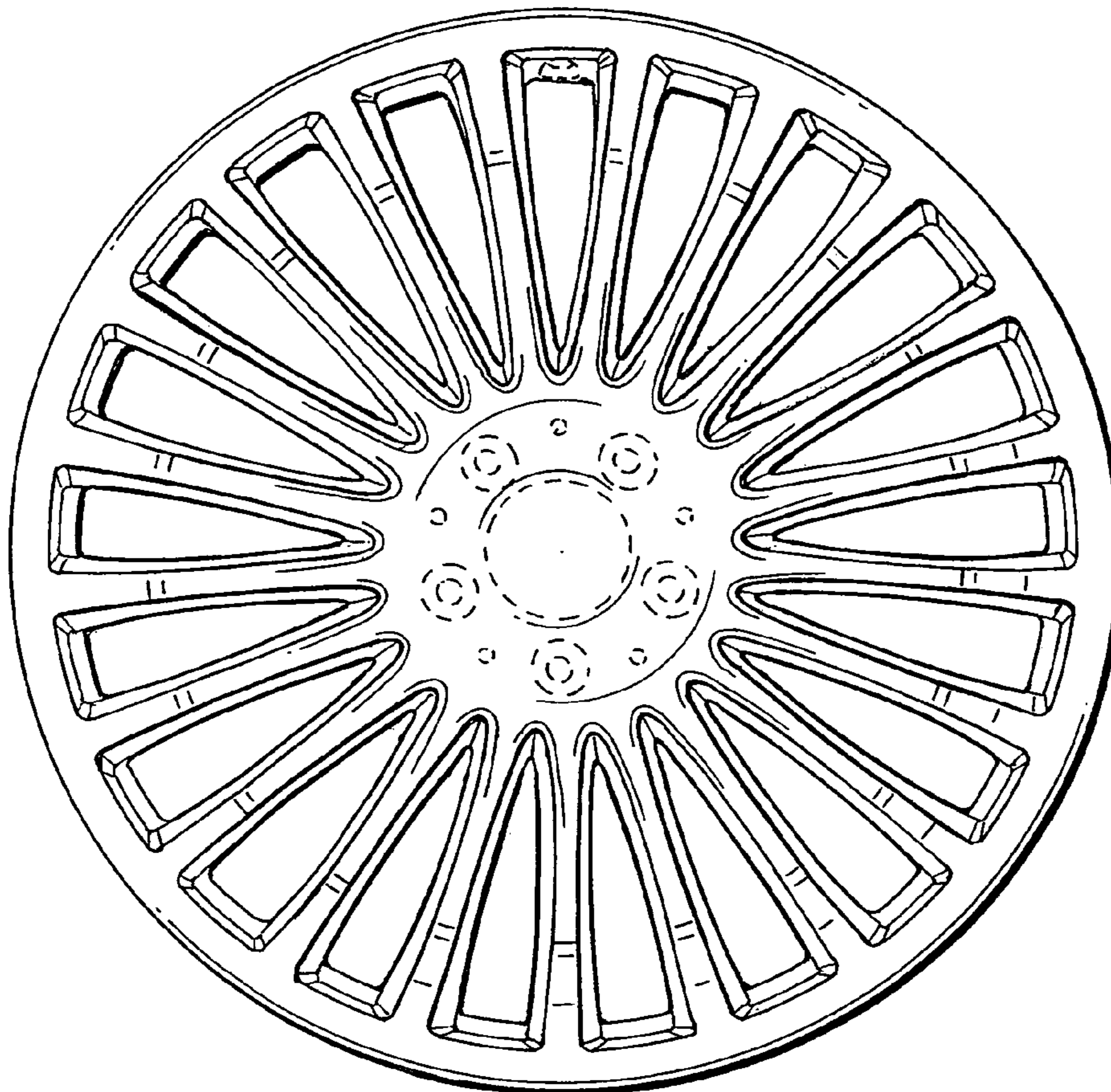
**DESCRIPTION**

FIG. 1 is a front view of a wheel or wheel cover according to my design; and,

FIG. 2 is a perspective view thereof.

The broken line showing of the rear portion of the wheel rim and the central hub is included for the purpose of illustrating environment and form no part of the claimed design.

**1 Claim, 1 Drawing Sheet**



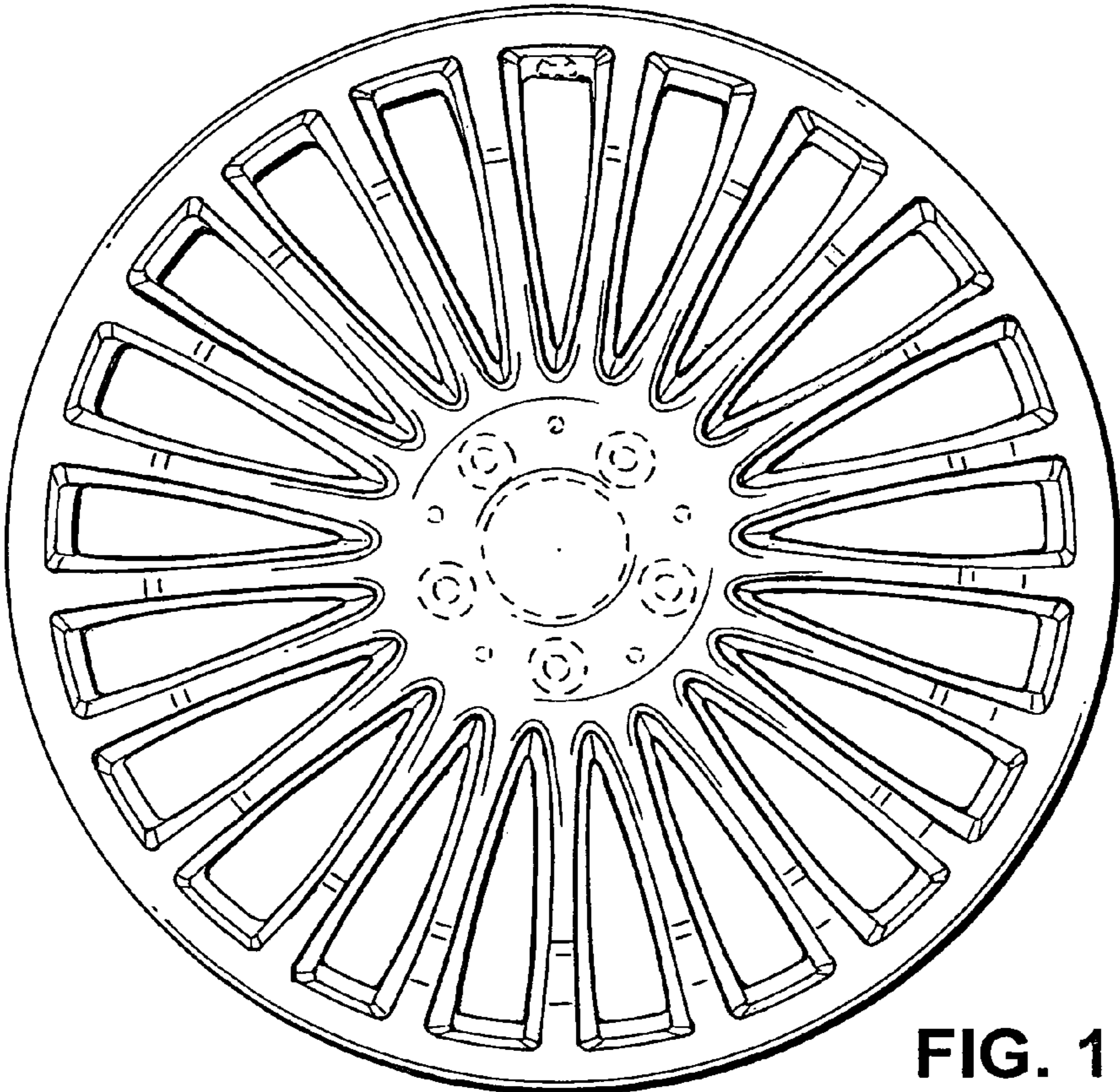


FIG. 1

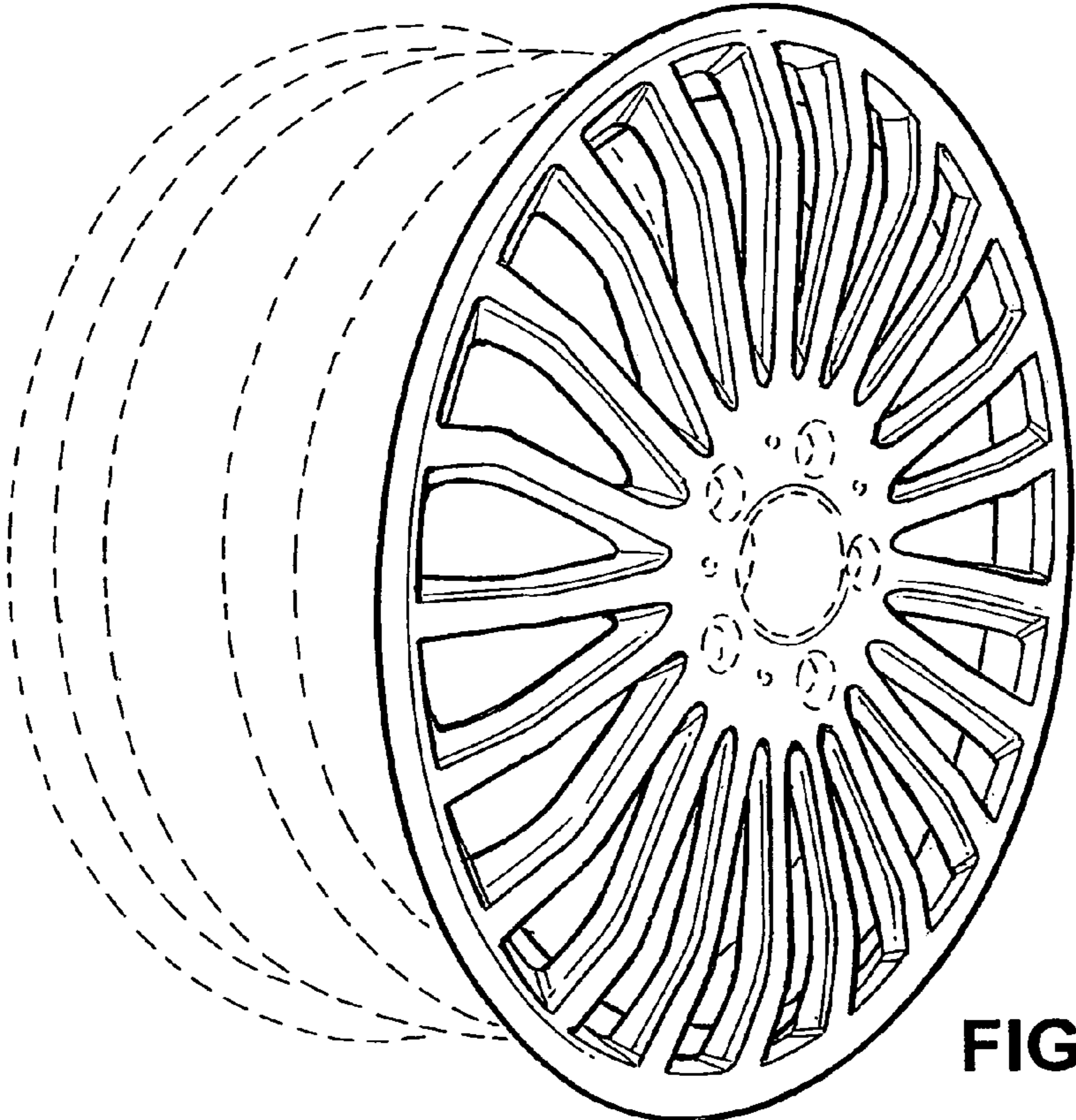


FIG. 2