



US00D604680S

(12) **United States Design Patent**  
**Chow**

(10) **Patent No.:** **US D604,680 S**

(45) **Date of Patent:** **\*\* Nov. 24, 2009**

(54) **SPRING BRAKE**

(75) Inventor: **Lai Yee Chow, N. T. (HK)**

(73) Assignee: **Metro Bearing & Automotive Limited,**  
**N.T. (HK)**

(\*\*) Term: **14 Years**

(21) Appl. No.: **29/297,555**

(22) Filed: **Nov. 13, 2007**

(51) **LOC (9) Cl.** ..... **12-16**

(52) **U.S. Cl.** ..... **D12/180**

(58) **Field of Classification Search** ..... D12/180,  
D12/174, 400, 179; 303/4, 12, 114.3; 188/356;  
91/369.1; D23/235; 92/98 R; 220/4.06;  
29/513; D7/300, 313; D34/39

See application file for complete search history.

(56) **References Cited**

**U.S. PATENT DOCUMENTS**

354,014	A *	12/1886	Easton	.....	303/4
1,895,456	A *	1/1933	Farmer	.....	60/325
3,170,586	A *	2/1965	Bulgrin	.....	220/4.04
4,828,337	A *	5/1989	Wagner et al.	.....	303/114.3
5,031,970	A *	7/1991	Vogel	.....	303/114.3
5,044,702	A *	9/1991	Beck et al.	.....	303/113.2

5,297,471	A *	3/1994	Boehm et al.	.....	92/98 R
5,848,827	A *	12/1998	Levrai	.....	303/114.3
5,881,627	A *	3/1999	Simon Bacardit	.....	91/369.1
D454,818	S *	3/2002	MacGregor	.....	D12/179
6,405,636	B1 *	6/2002	Anderson	.....	92/98 R
D533,768	S *	12/2006	Hsiung	.....	D8/349

\* cited by examiner

*Primary Examiner*—Robert M Spear

*Assistant Examiner*—Cynthia Underwood

(57) **CLAIM**

The ornamental design for a spring brake, as shown and described.

**DESCRIPTION**

FIG. 1 is a front elevational view of a spring brake showing my new design;

FIG. 2 is a rear elevational view thereof;

FIG. 3 is a left side view thereof;

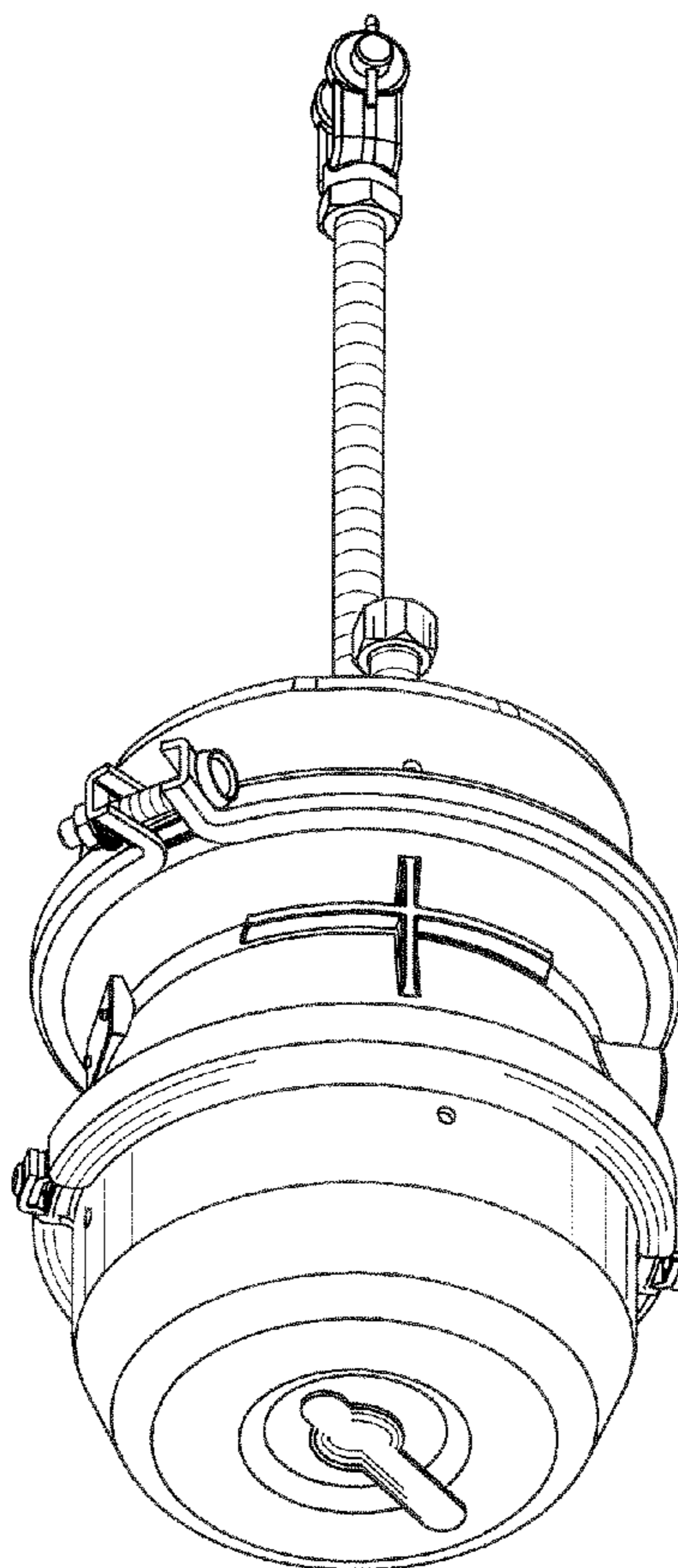
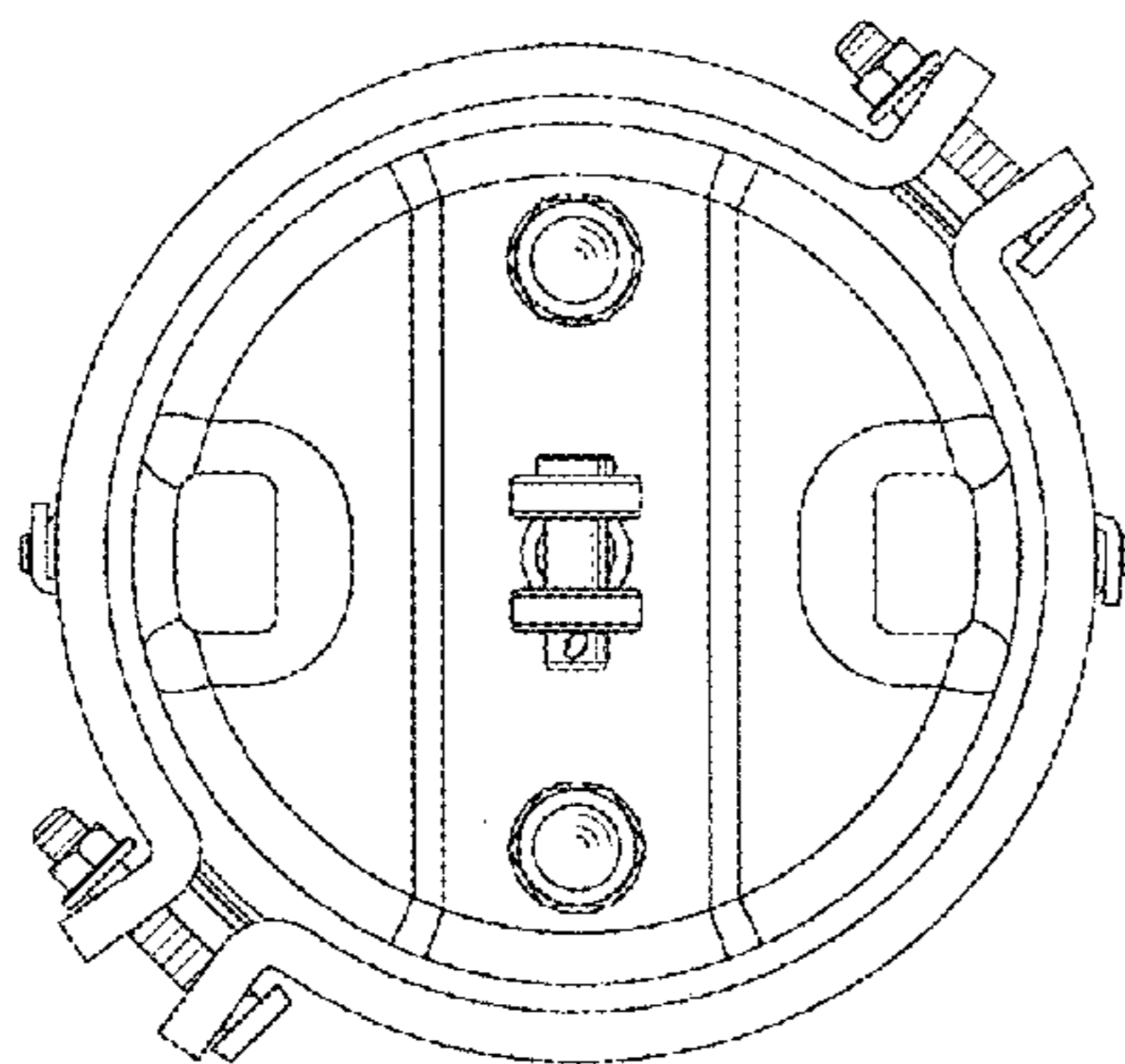
FIG. 4 is a right side view thereof;

FIG. 5 is a top plan view thereof;

FIG. 6 is a bottom plan view thereof; and,

FIG. 7 is a perspective view thereof.

**1 Claim, 6 Drawing Sheets**



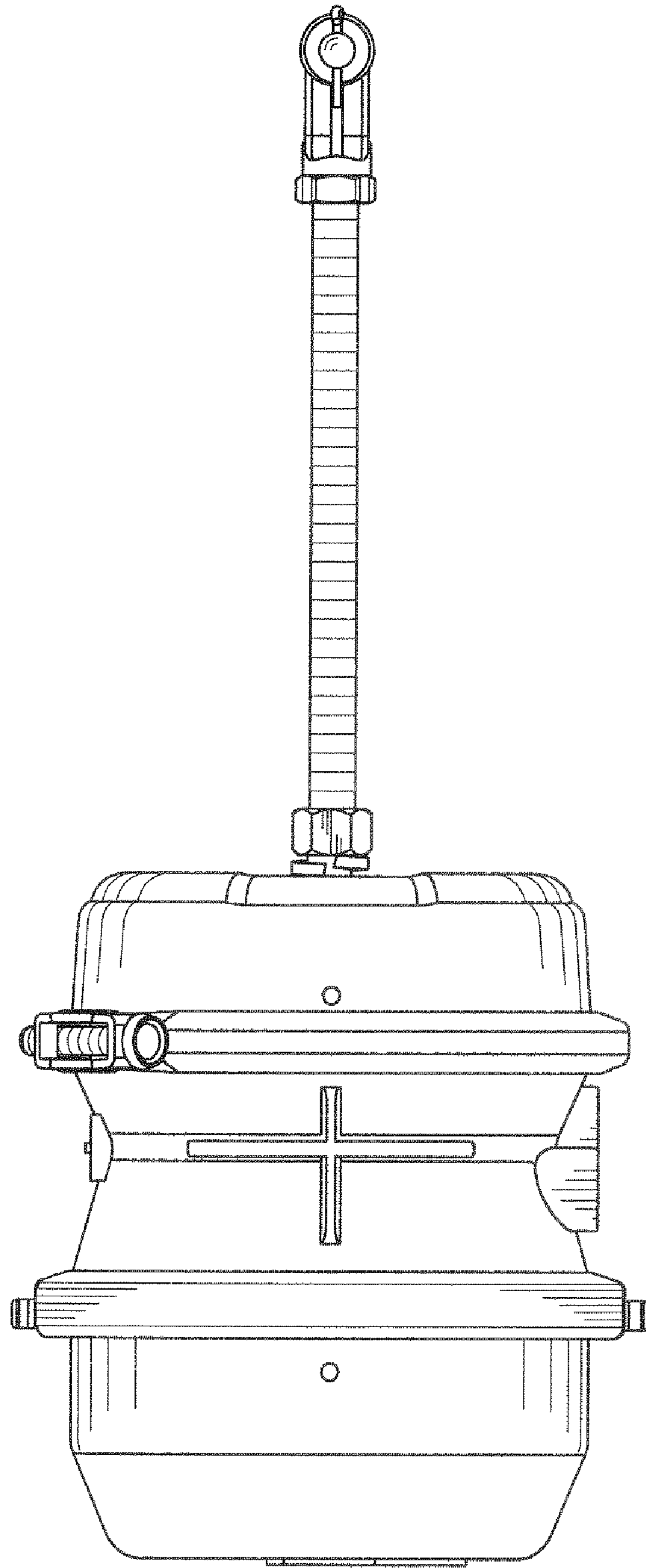


FIG. 1

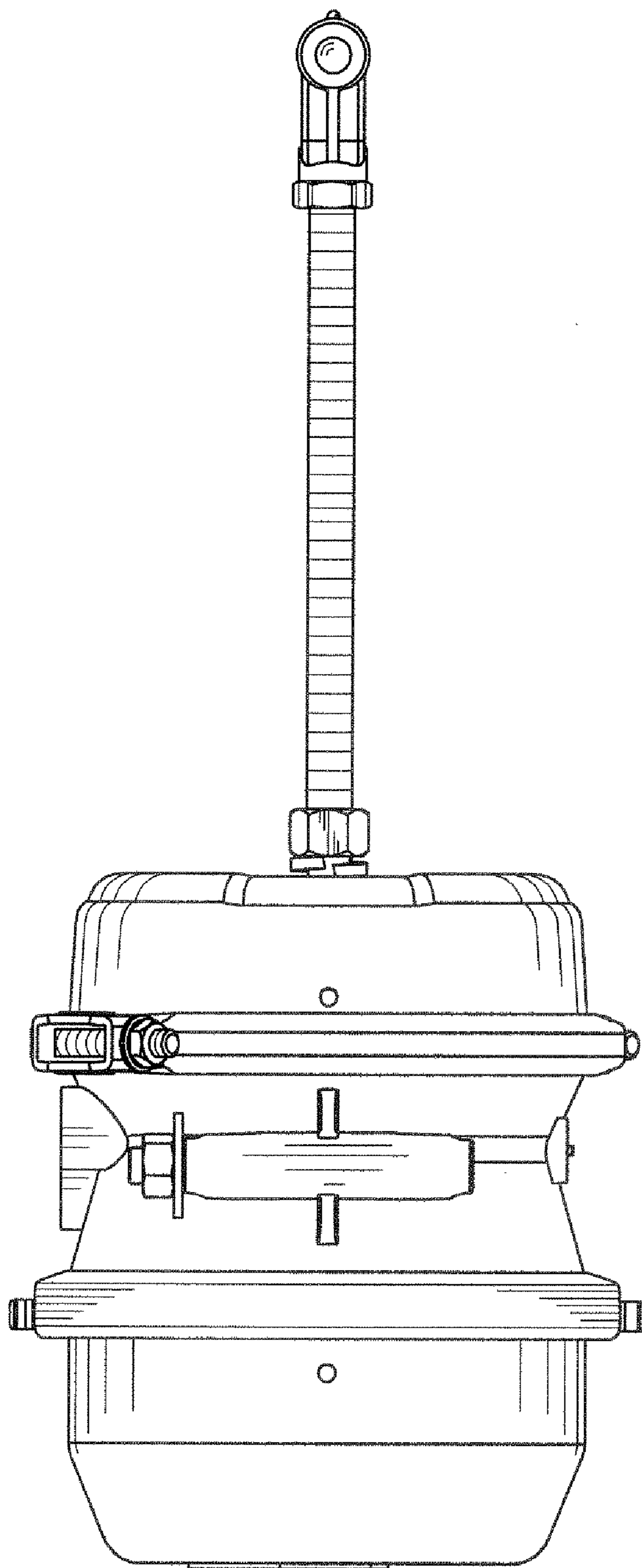


FIG. 2

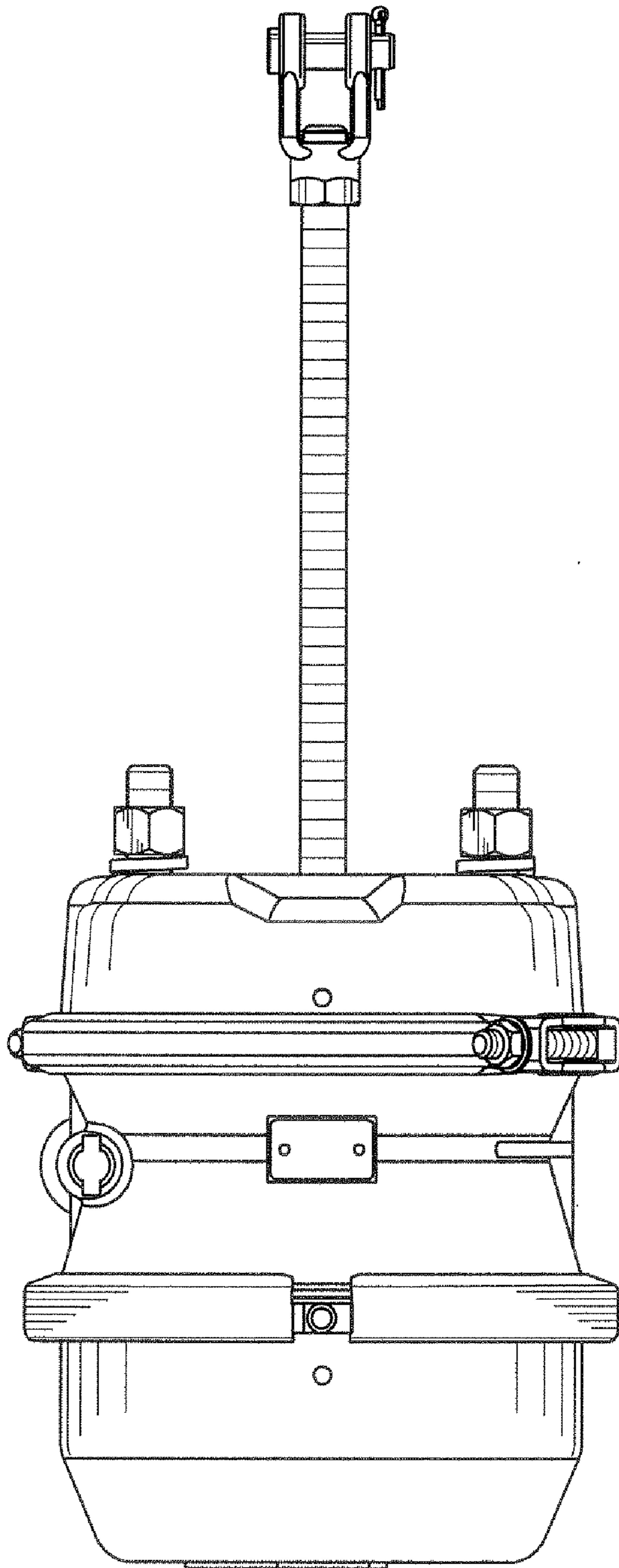


FIG. 3

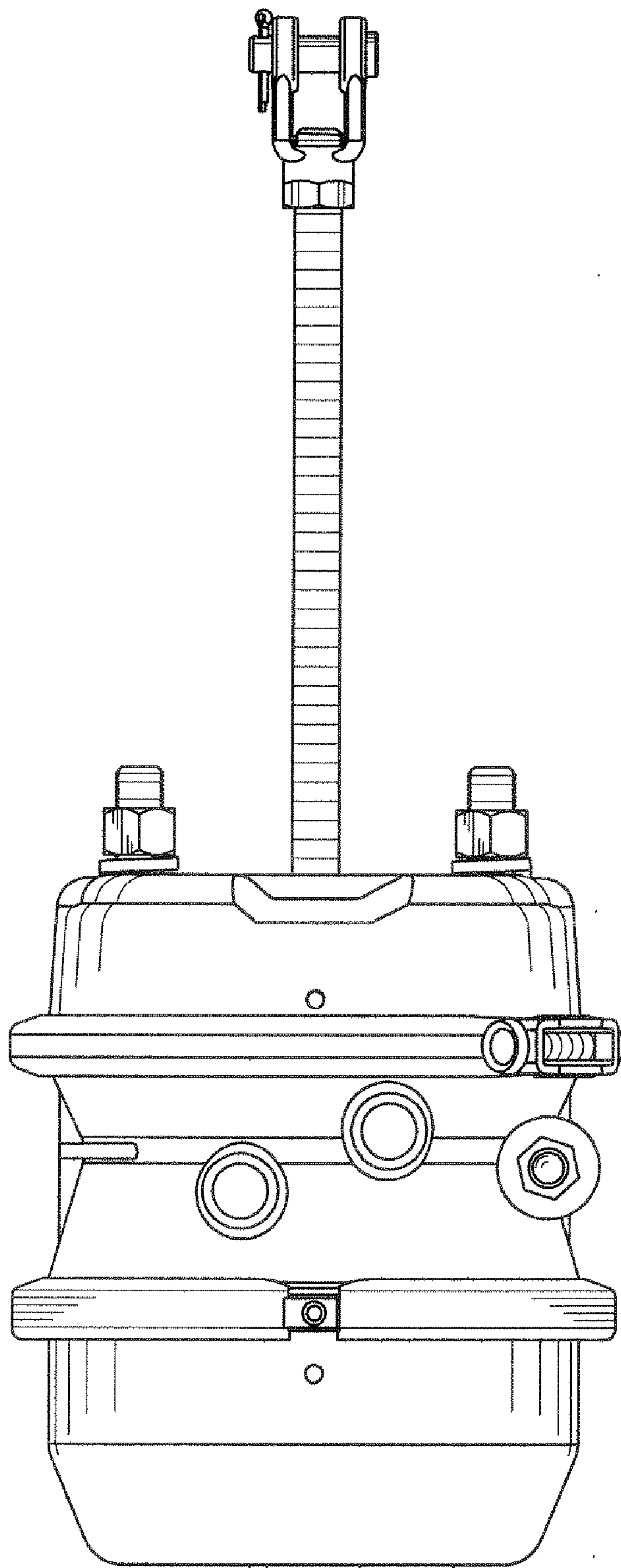


FIG. 4

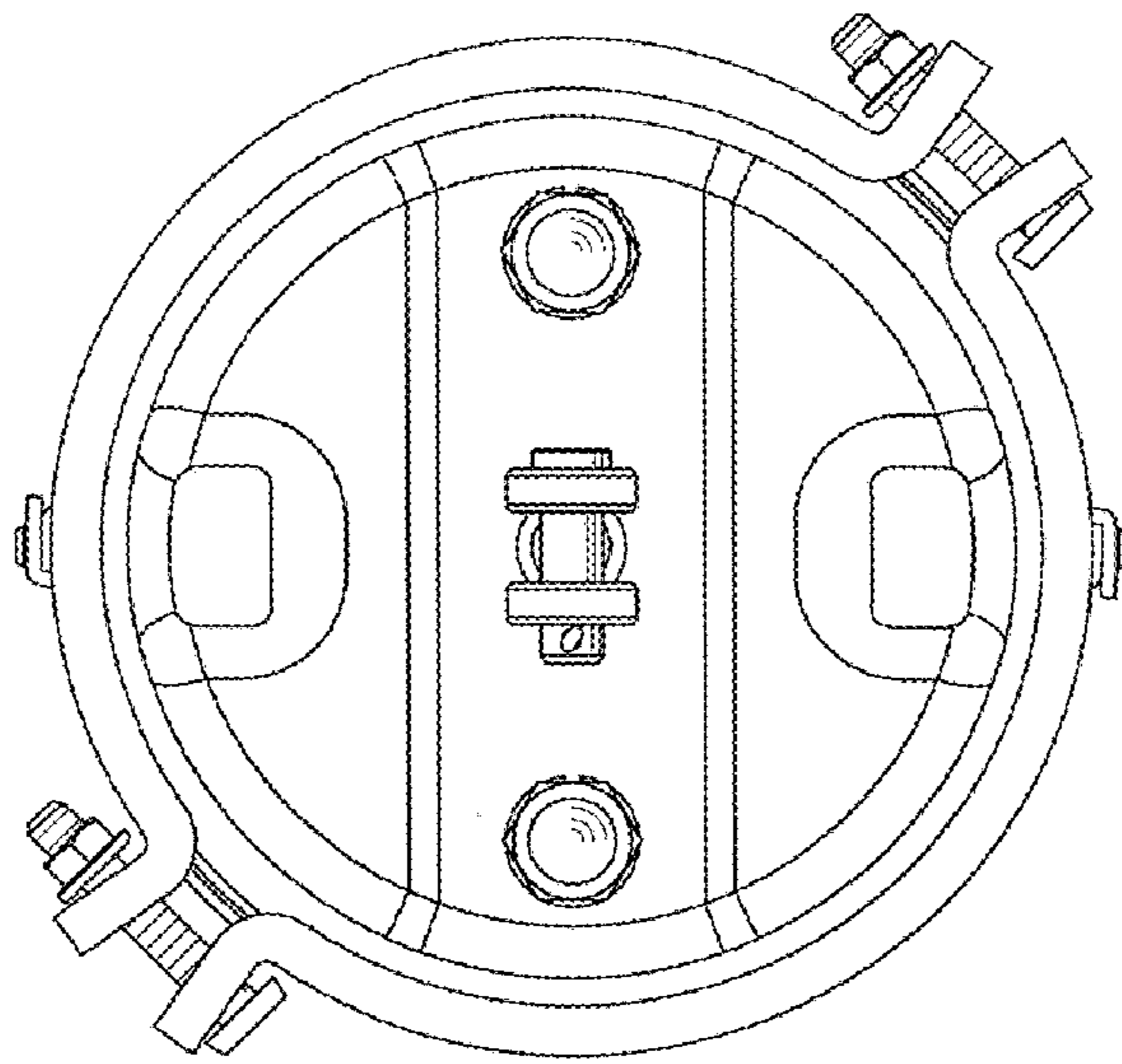


FIG. 5

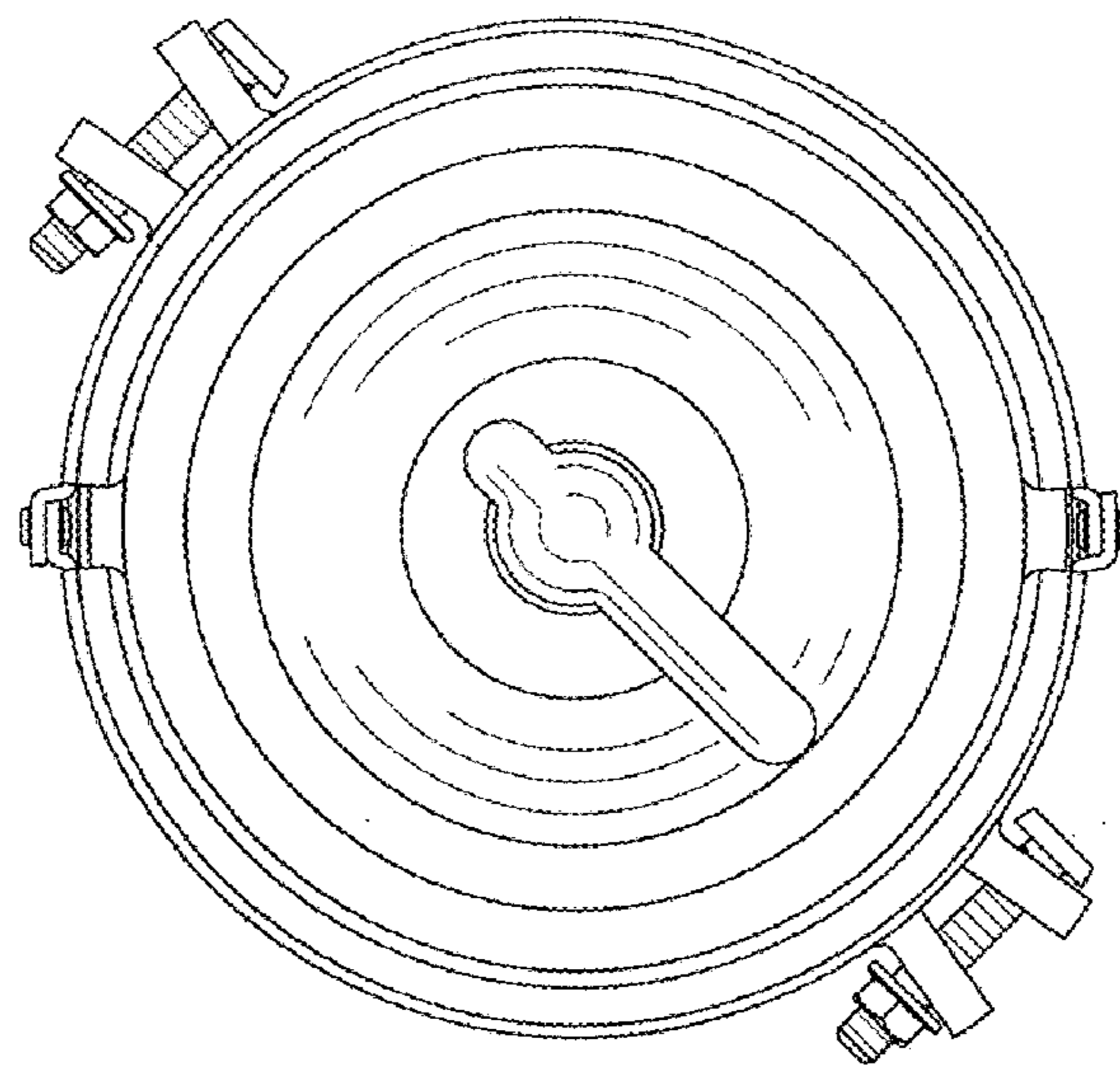


FIG. 6

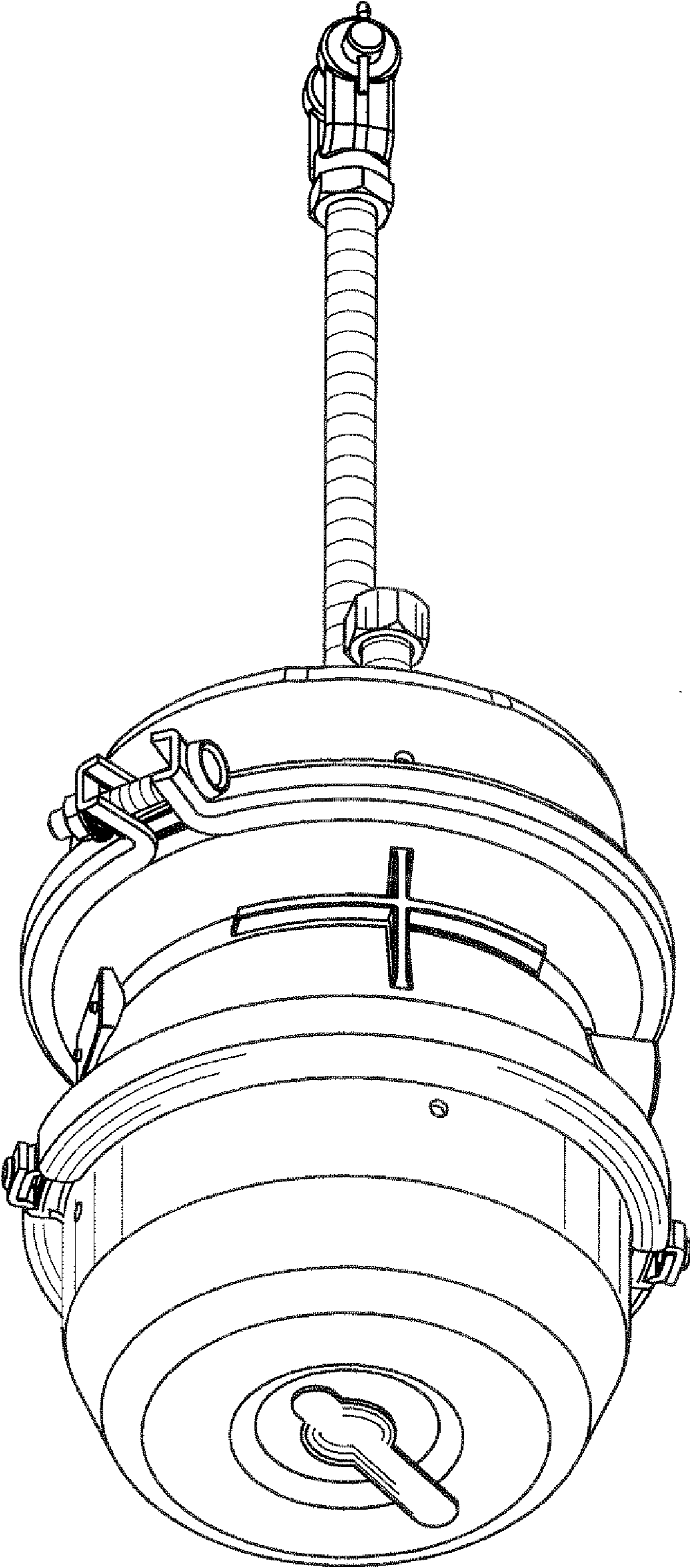


FIG. 7