



US00D604675S

(12) **United States Design Patent**
Litter

(10) **Patent No.:** **US D604,675 S**

(45) **Date of Patent:** **** Nov. 24, 2009**

(54) **MOTORCYCLE KICKSTAND ACCESSORY**

(76) Inventor: **Matt Litter**, 656 Hospital Rd.,
Chillicothe, OH (US) 45601-9030

(**) Term: **14 Years**

(21) Appl. No.: **29/322,628**

(22) Filed: **Aug. 7, 2008**

Related U.S. Application Data

(63) Continuation-in-part of application No. 12/146,570,
filed on Jun. 26, 2008, and a continuation-in-part of
application No. 29/320,428, filed on Jun. 26, 2008.

(51) **LOC (9) Cl.** **12-11**

(52) **U.S. Cl.** **D12/120**

(58) **Field of Classification Search** D12/114,
D12/115, 120, 203; 280/293, 301, 295, 297,
280/298, 300, 304, 763.1, 163-164.1; 248/364.01,
248/346.03, 346.04, 188.8, 188.9; D6/582-586,
D6/592; 296/97.23; 15/215-217; 428/138,
428/141, 85, 92, 159, 134, 135; 5/417, 419,
5/420, 902; 4/580-583; D11/133, 157
See application file for complete search history.

(56) **References Cited**

U.S. PATENT DOCUMENTS

D43,663 S * 3/1913 Bickford D12/203
5,021,277 A * 6/1991 Fan 428/76

5,364,682 A * 11/1994 Tanaka et al. 428/138
5,552,207 A * 9/1996 Porter et al. 428/109
D375,013 S * 10/1996 Wong D6/583
D396,435 S * 7/1998 Favereaux, Sr. D12/120
5,799,961 A * 9/1998 Schmeets 280/163
D422,245 S * 4/2000 Hughes et al. D12/120
D438,826 S * 3/2001 Adams D12/120
D530,649 S * 10/2006 Hoskins D12/120
7,377,563 B1 * 5/2008 Demick 293/116

* cited by examiner

Primary Examiner—Robin V Webster

Assistant Examiner—Linda Brooks

(57) **CLAIM**

The ornamental design for a motorcycle kickstand accessory,
as shown and described.

DESCRIPTION

FIG. 1 is an exploded bottom perspective view.

FIG. 2 is a top perspective view.

FIG. 3 is a bottom view.

FIG. 4 is a side view.

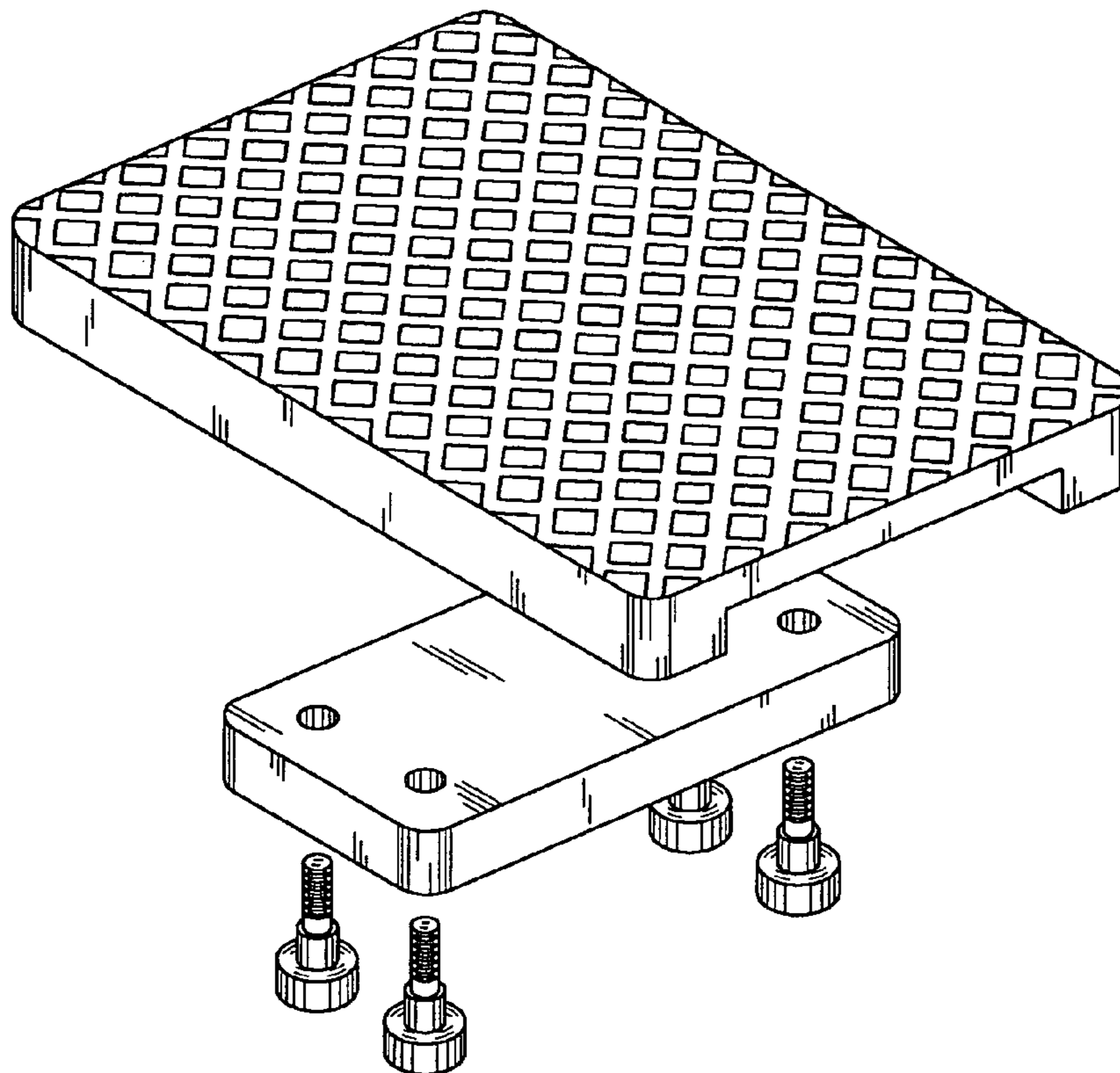
FIG. 5 is an opposite side view (mirror image of FIG. 4).

FIG. 6 is an end view.

FIG. 7 is an opposite end view (mirror image of FIG. 6); and,

FIG. 8 is a top view.

1 Claim, 4 Drawing Sheets



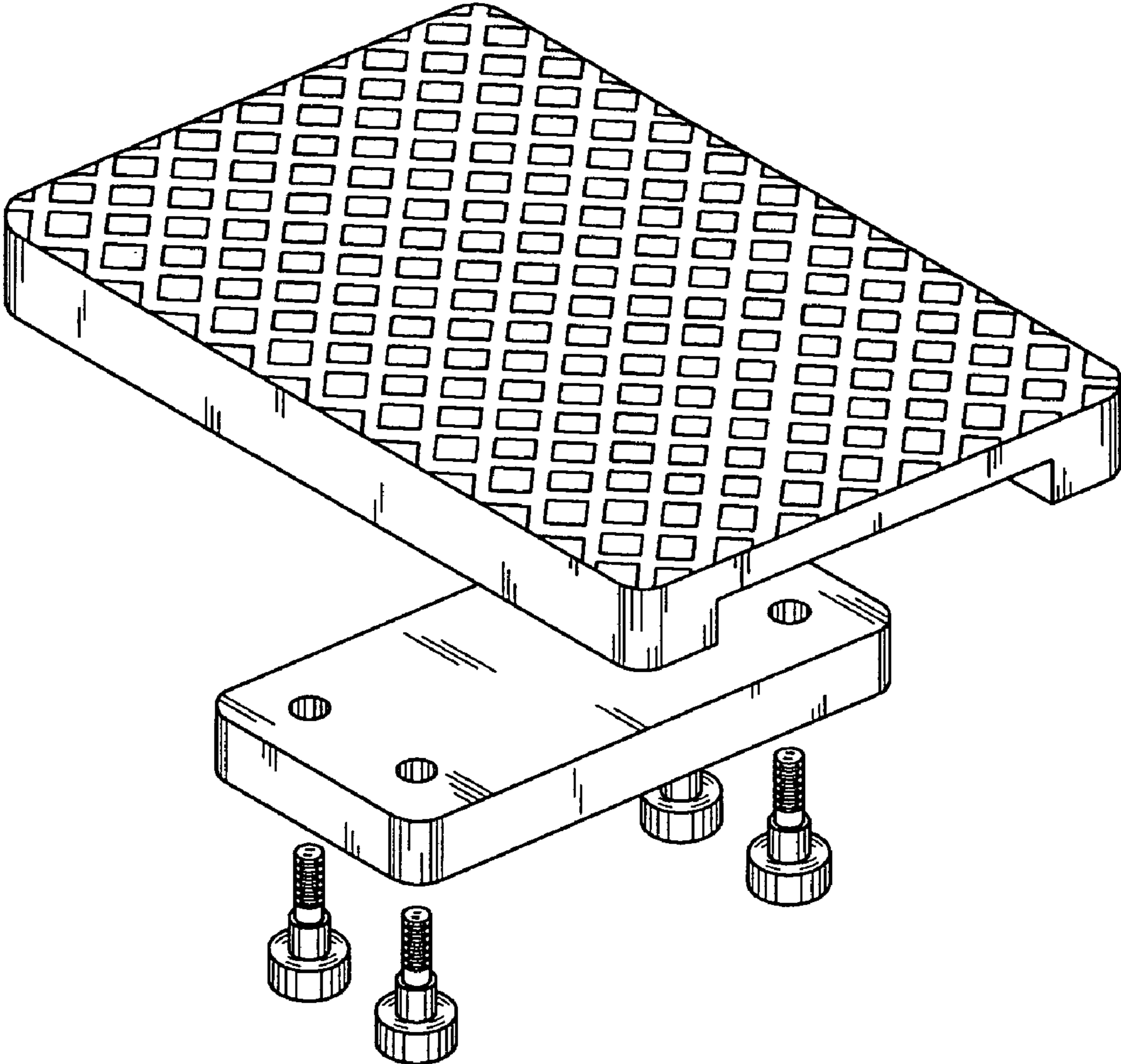


Fig. 1

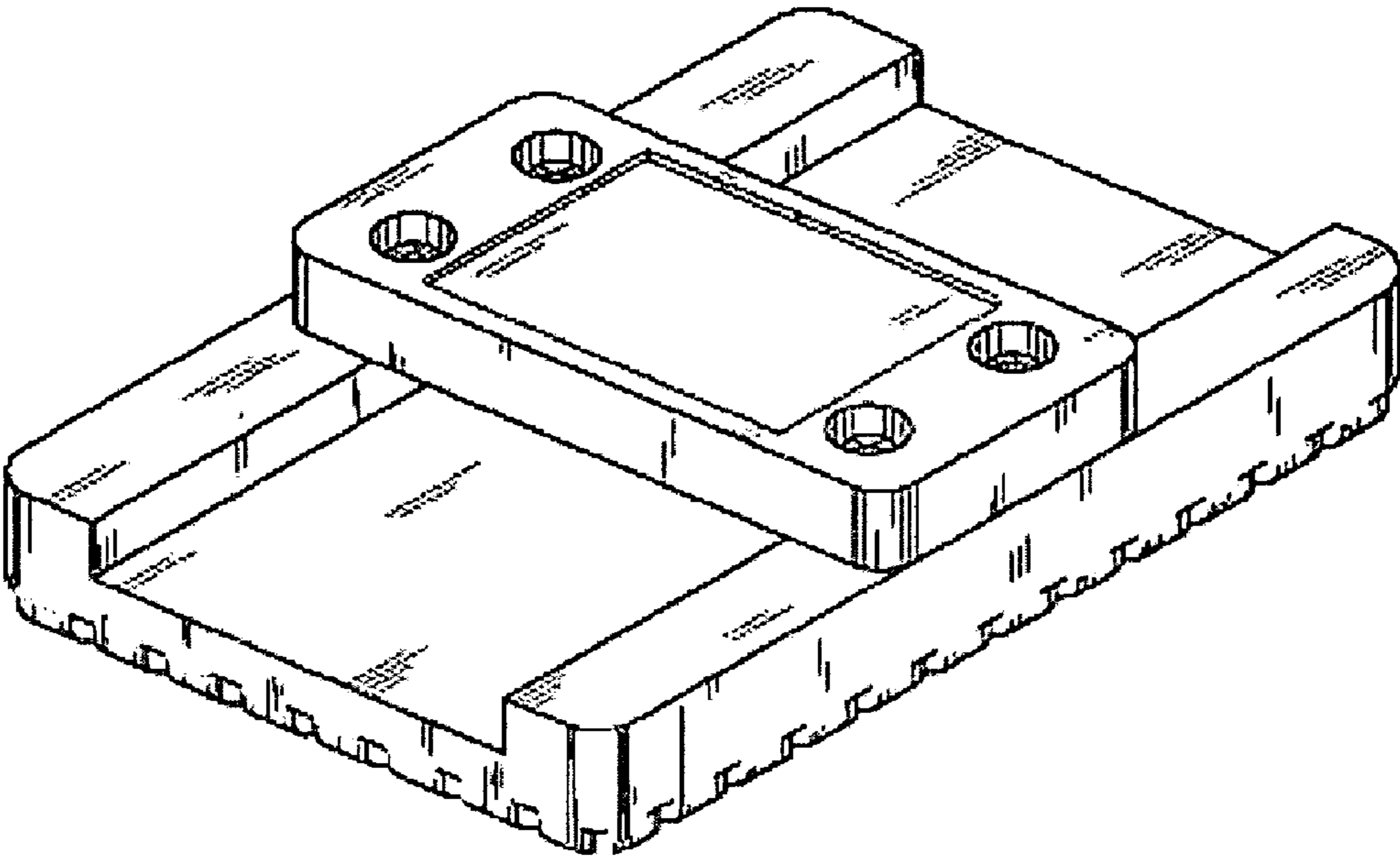


FIG. 2

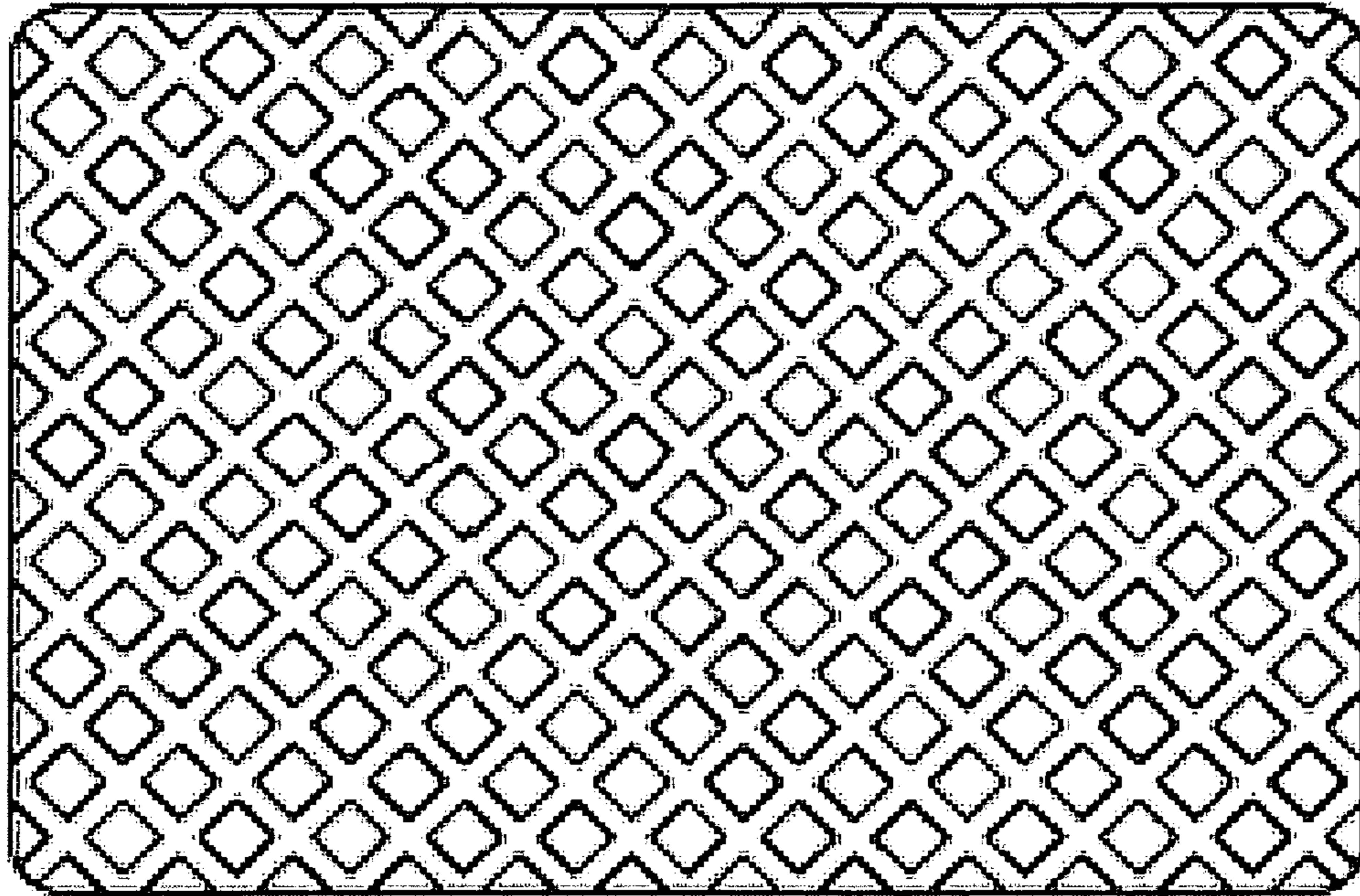


FIG. 3

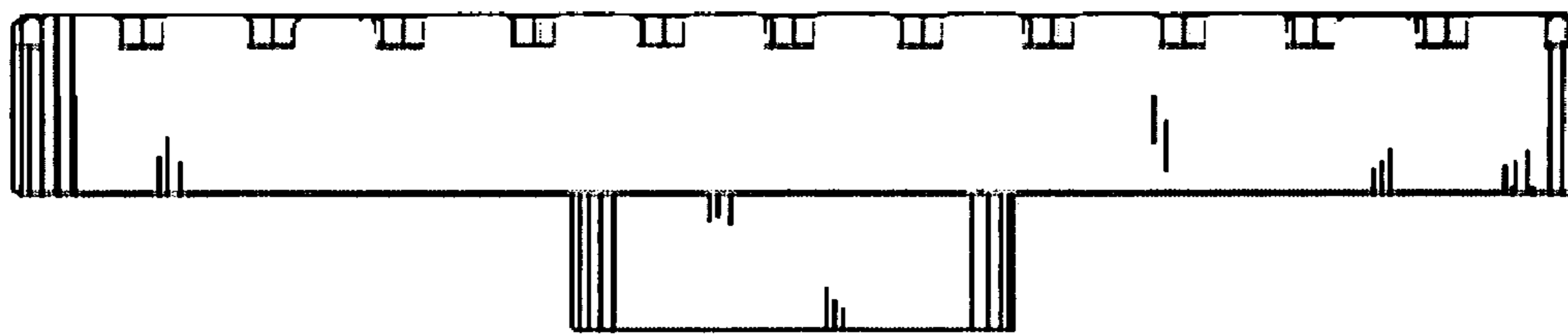


FIG. 4

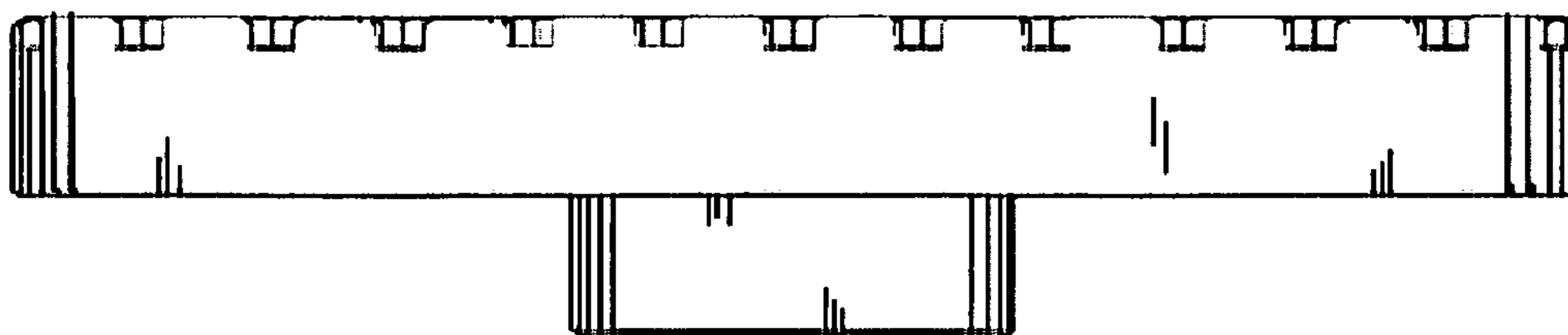


FIG. 5

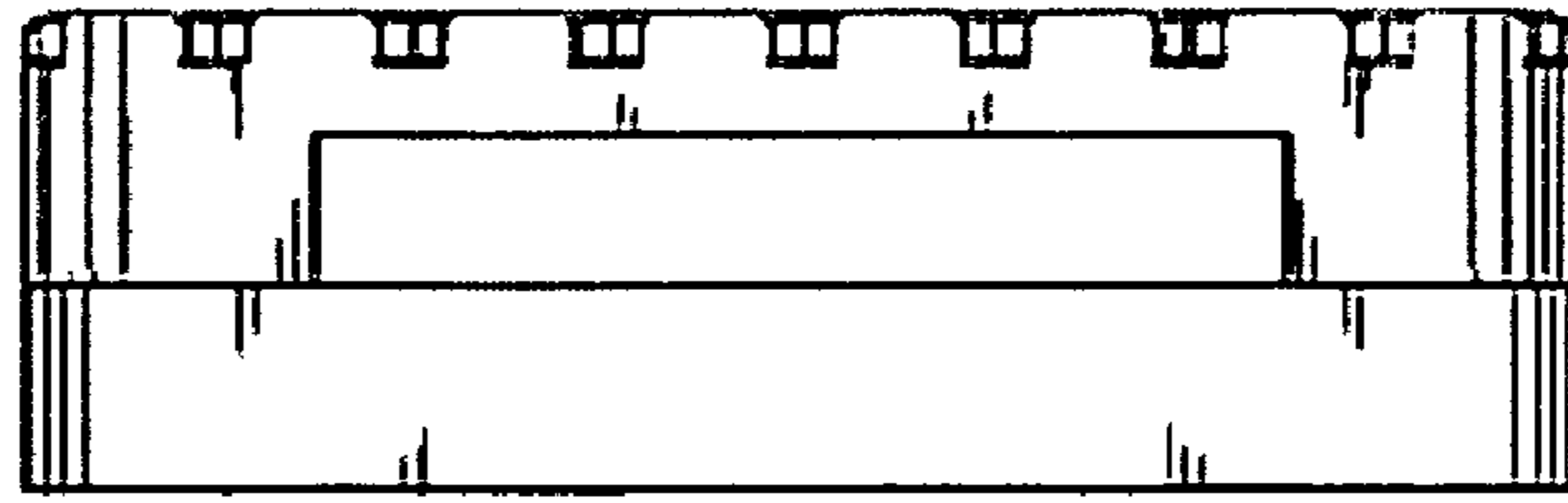


FIG. 6

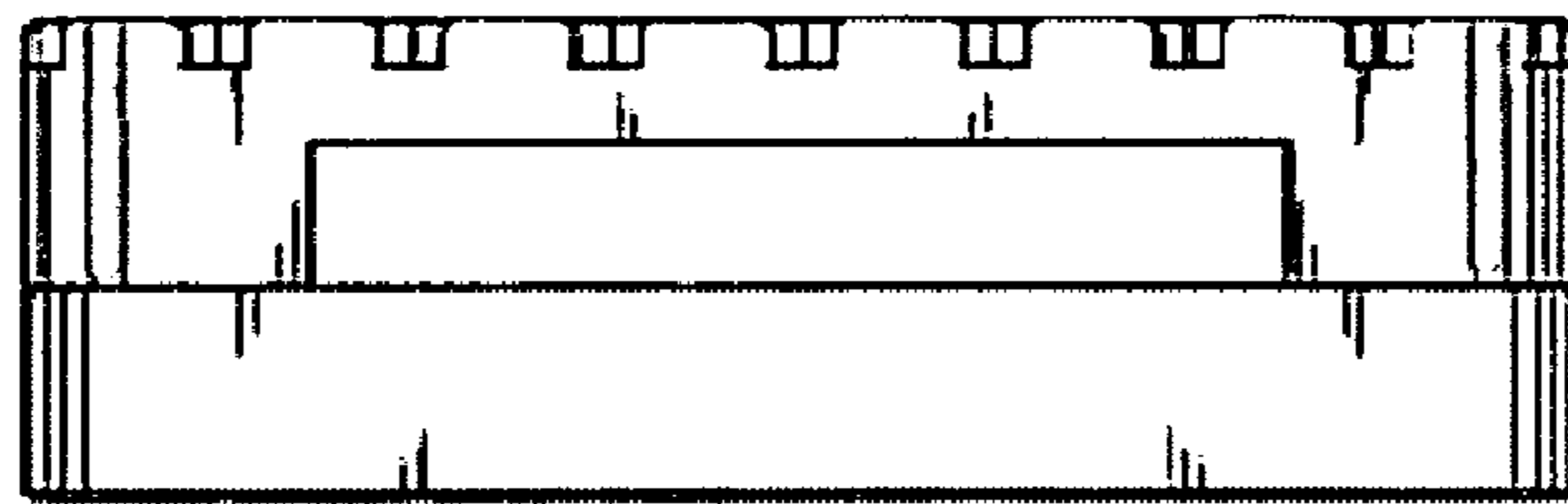


FIG. 7

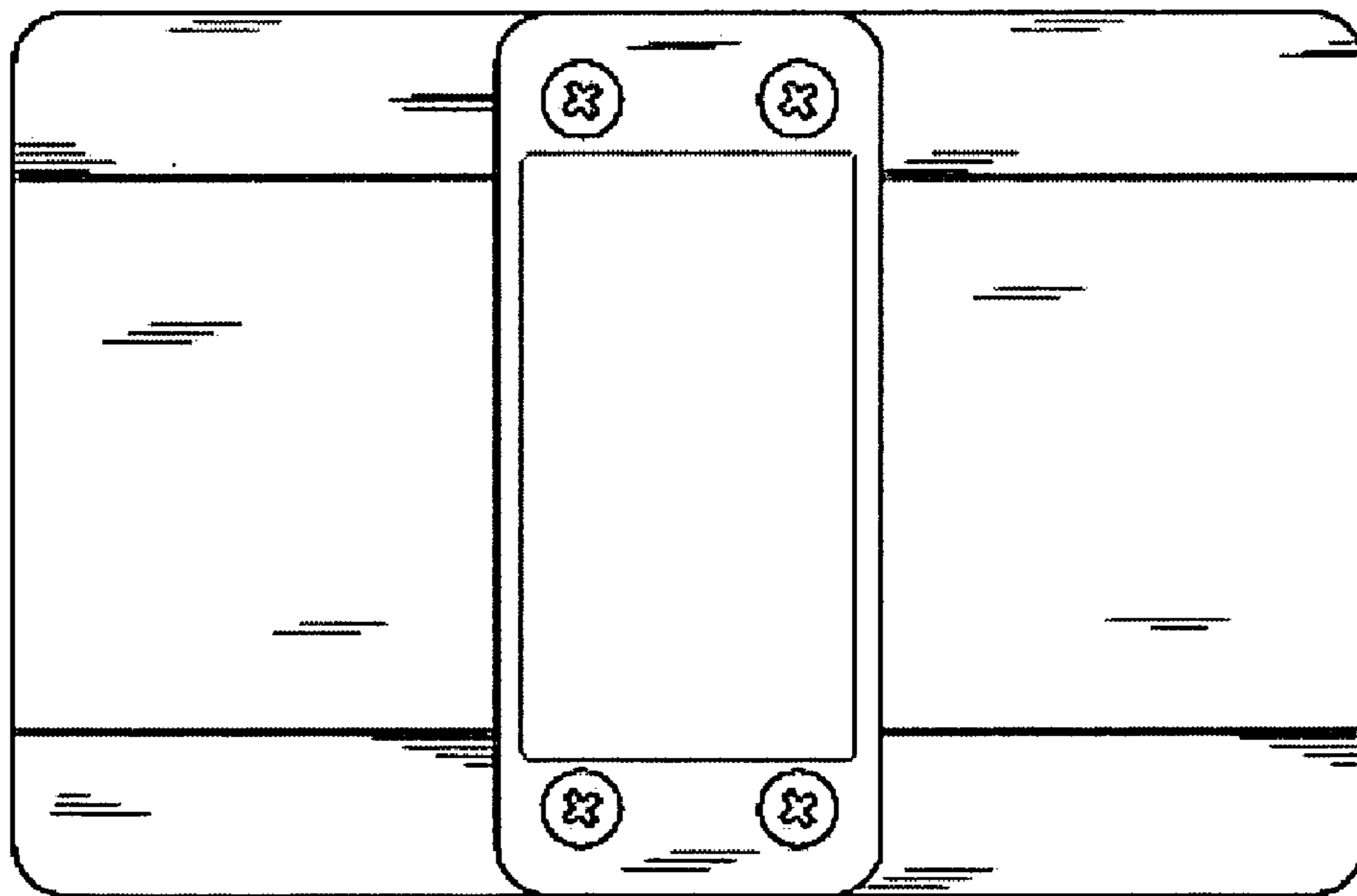


FIG. 8