



US00D604670S

(12) **United States Design Patent**
Nagura et al.

(10) **Patent No.:** **US D604,670 S**

(45) **Date of Patent:** **** Nov. 24, 2009**

(54) **AUTOMOBILE AND/OR REPLICA THEREOF**

D559,737 S * 1/2008 Bischoff et al. D12/91
D592,552 S * 5/2009 Wang et al. D12/91

(75) Inventors: **Takashi Nagura**, Wako (JP); **Tetsuji Morikawa**, Wako (JP)

* cited by examiner

(73) Assignee: **Honda Motor Co., Ltd.**, Tokyo (JP)

Primary Examiner—Melody N Brown

(**) Term: **14 Years**

(74) *Attorney, Agent, or Firm*—Westerman, Hattori, Daniels & Adrian, LLP

(21) Appl. No.: **29/333,052**

(57) **CLAIM**

(22) Filed: **Mar. 2, 2009**

The ornamental design for, an automobile and/or replica thereof, as shown and described.

(30) **Foreign Application Priority Data**

DESCRIPTION

Aug. 29, 2008 (JP) 2008-022230

FIG. 1 is a perspective view of an automobile and/or replica thereof, showing our new design;

(51) **LOC (9) Cl.** **12-08**

FIG. 2 is an opposite perspective view thereof;

(52) **U.S. Cl.** **D12/91**

FIG. 3 is a front elevation view thereof;

(58) **Field of Classification Search** D12/86,
D12/90-92; D21/424, 433, 434; 296/181.1,
296/181.5

FIG. 4 is a rear elevation view thereof;

See application file for complete search history.

FIG. 5 is a top plan view thereof; and,

FIG. 6 is a right side elevation view thereof.

(56) **References Cited**

The left side elevation view is a mirror image of the right side elevation view. The broken lines are for illustrative purposes only and form no part of the claimed design.

U.S. PATENT DOCUMENTS

D525,910 S * 8/2006 Sugiura et al. D12/91
D559,736 S * 1/2008 Bischoff et al. D12/91

1 Claim, 5 Drawing Sheets

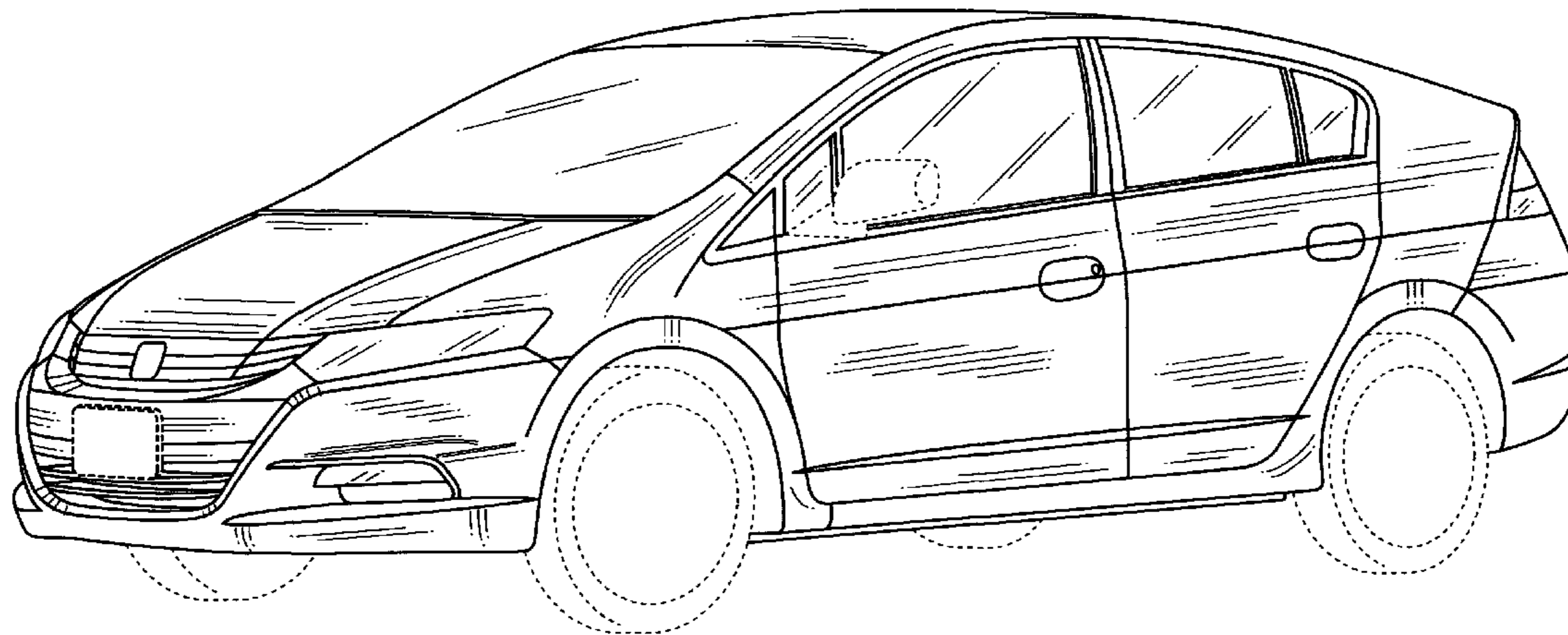


FIG.1

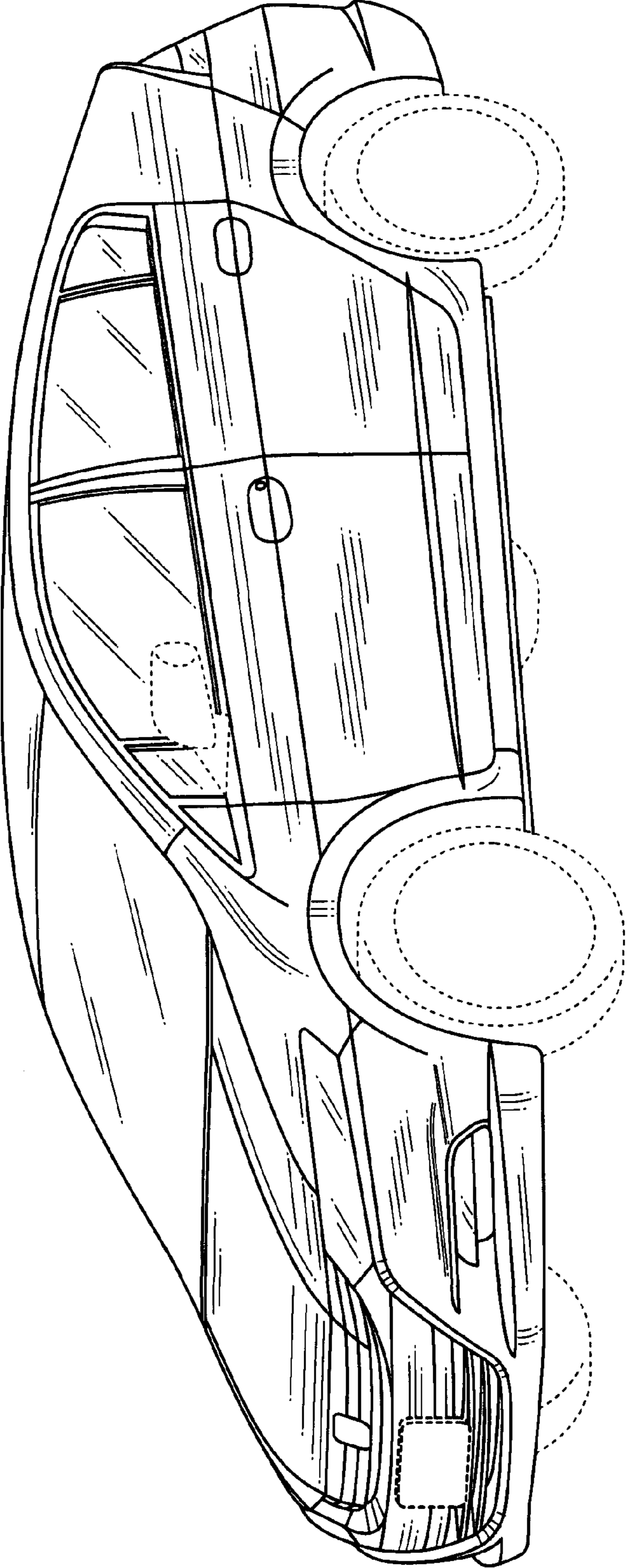


FIG.2

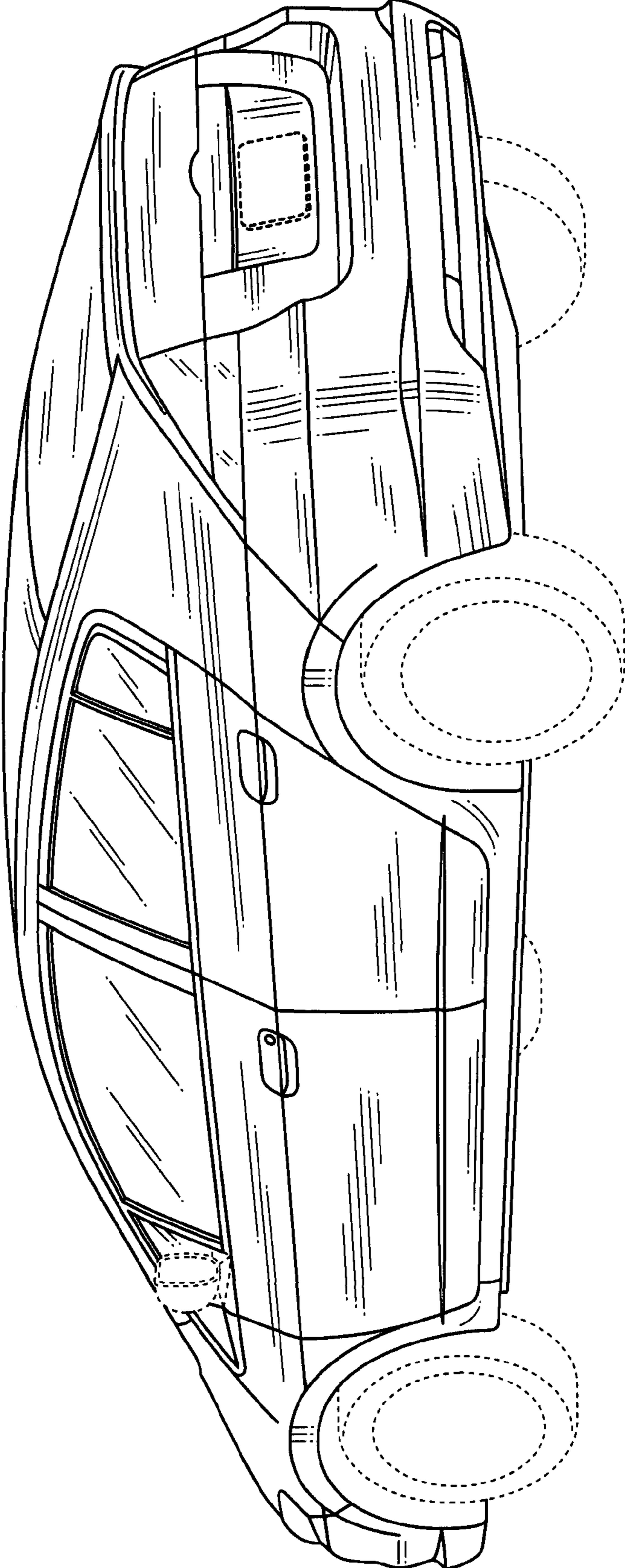


FIG.3

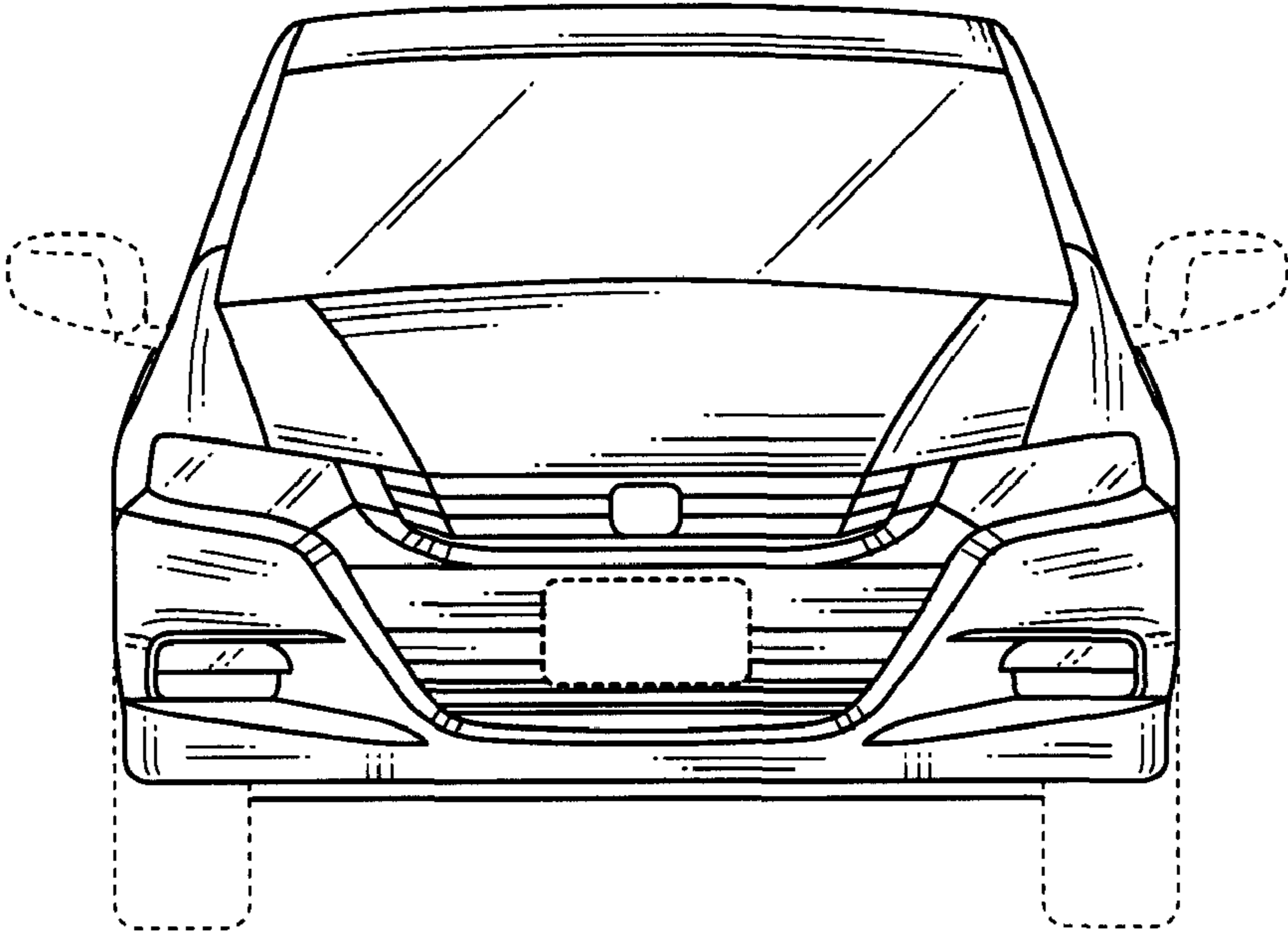


FIG.4

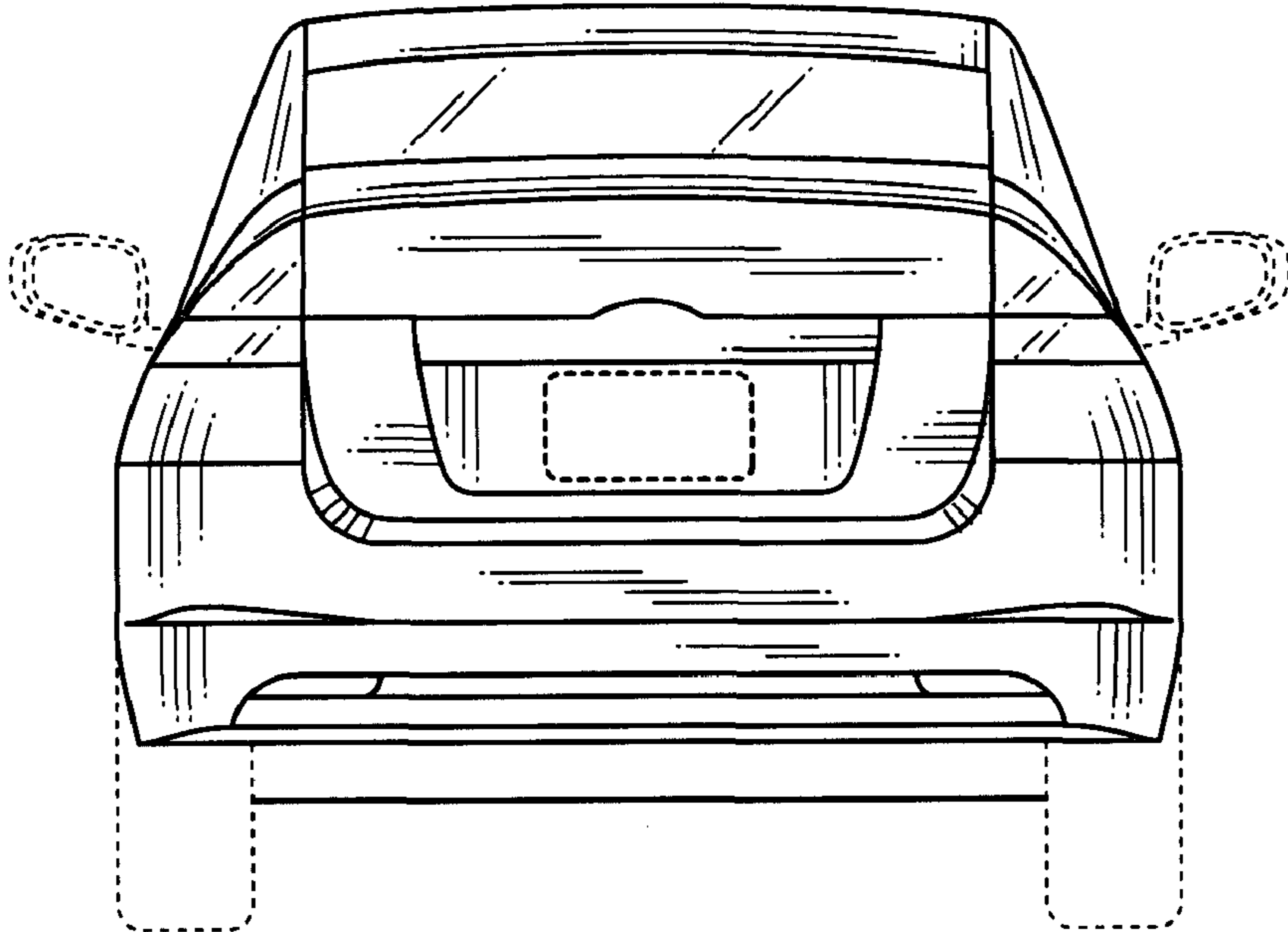


FIG.5

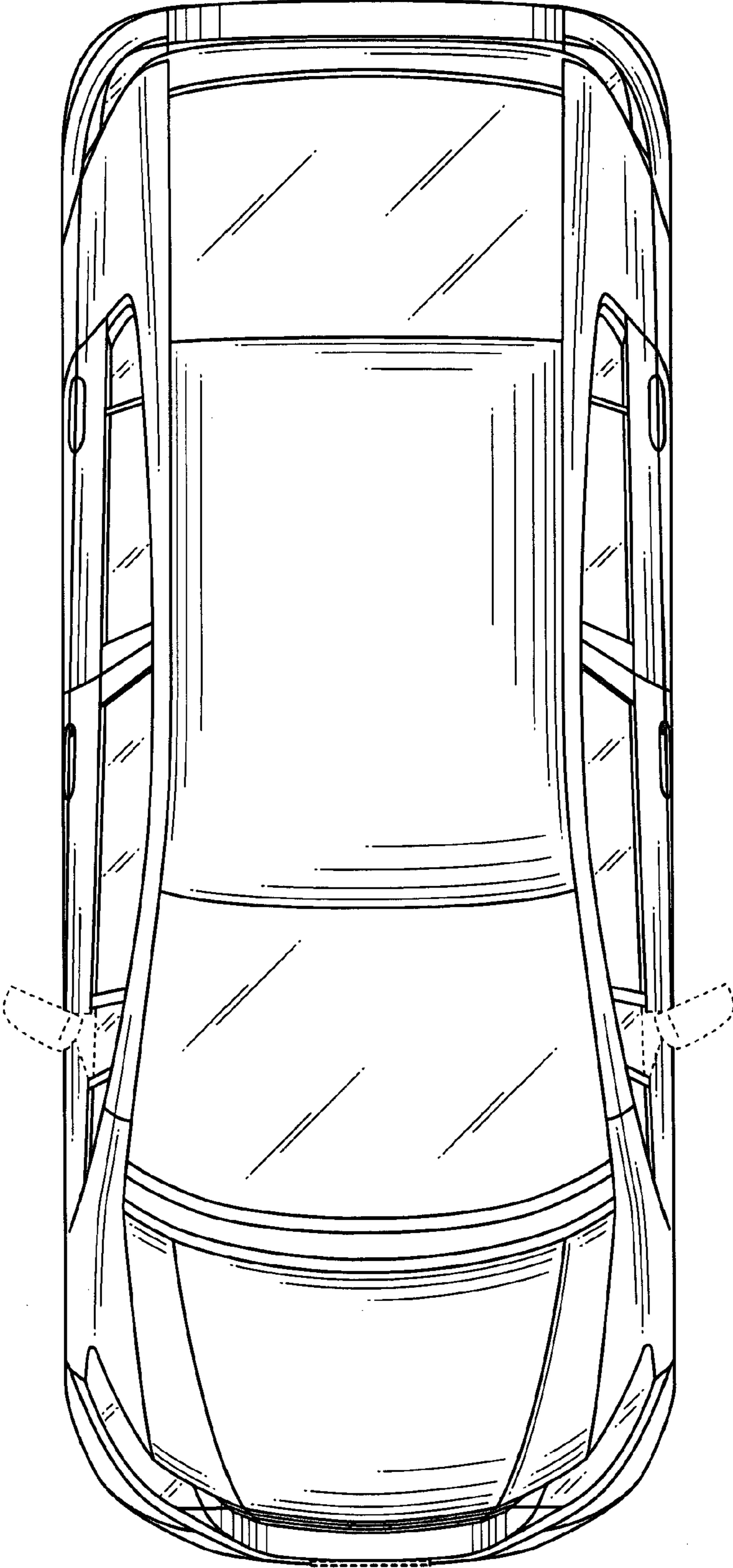


FIG.6

