



US00D604669S

(12) **United States Design Patent**
Della Valle et al.

(10) **Patent No.:** **US D604,669 S**

(45) **Date of Patent:** **** Nov. 24, 2009**

(54) **BUCKLE DECORATION**

D465,172 S * 11/2002 Gruosi D11/4

* cited by examiner

(75) Inventors: **Diego Della Valle**, Sant'Elpidio a Mare (IT); **Marco Dusi**, Sant'Elpidio a Mare (IT)

Primary Examiner—Catherine R Oliver

(74) *Attorney, Agent, or Firm*—Knobbe Martens Olson & Bear LLP

(73) Assignee: **TOD'S S.p.A.**, Sant'Elpidio a Mare (Fermo) (IT)

(57) **CLAIM**

(**) Term: **14 Years**

The ornamental design for a buckle decoration, as shown and described herein.

(21) Appl. No.: **29/331,097**

(22) Filed: **Jan. 20, 2009**

(30) **Foreign Application Priority Data**

Jul. 21, 2008 (EM) 000974183

(51) **LOC (9) Cl.** **02-07**

(52) **U.S. Cl.** **D11/229**

(58) **Field of Classification Search** D11/200–241, D11/3–4; 24/180, 196, 616, 625, 650, 169–171, 24/173, 177–179, 191, 194–195, 197, 31 R, 24/33 B, 623, 697.2, 688–690; 63/11, 20
See application file for complete search history.

DESCRIPTION

FIG. 1 is a front elevational view of a buckle decoration showing our new design.

FIG. 2 is a rear elevational view thereof.

FIG. 3 is a right side elevational view thereof.

FIG. 4 is a left side elevational view thereof.

FIG. 5 is a top plan view thereof.

FIG. 6 is a bottom plan view thereof; and,

FIG. 7 is a perspective view thereof.

The broken lines shown in the drawings are for illustrative purposes only and form no part of the claimed design. The broken lines are used to depict one example of an optional buckle on which the buckle decoration design may be used.

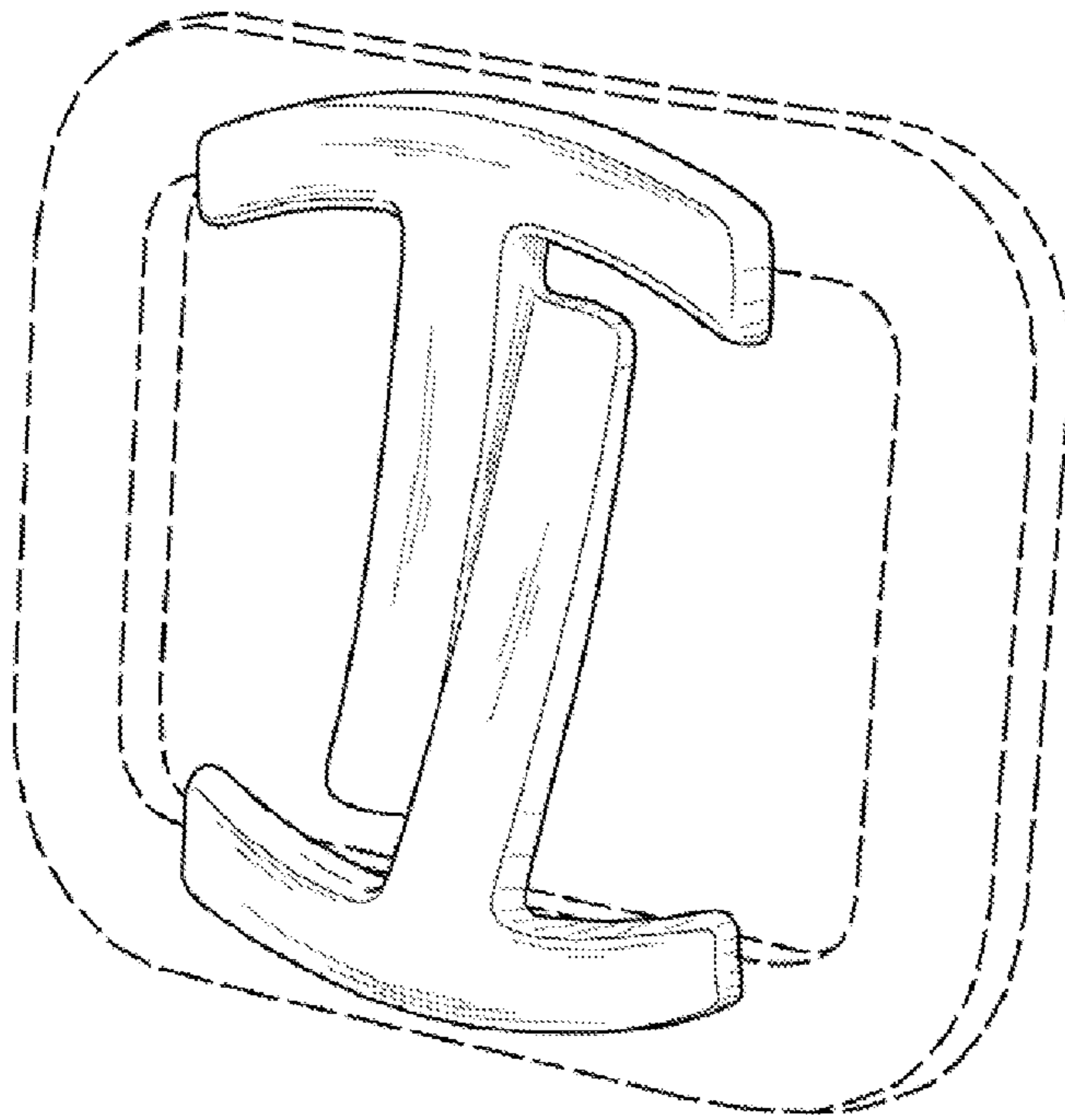
In some embodiments, a pair of buckle decorations may be used on a pair of objects, such as on a pair of shoes. In such embodiments, or where a mirror image buckle decoration may be used alone, respective views of a mirror image buckle decoration showing our new design are mirror images of FIGS. 1–7.

(56) **References Cited**

U.S. PATENT DOCUMENTS

- 1,654,805 A * 1/1928 Hamric 24/180
- 1,994,686 A * 3/1935 Chernow D11/229
- 2,738,616 A * 3/1956 Windle 63/11
- D190,646 S * 6/1961 Buckley D11/200
- D325,546 S * 4/1992 Collier D11/213
- D455,980 S * 4/2002 Fildan et al. D11/200

1 Claim, 4 Drawing Sheets



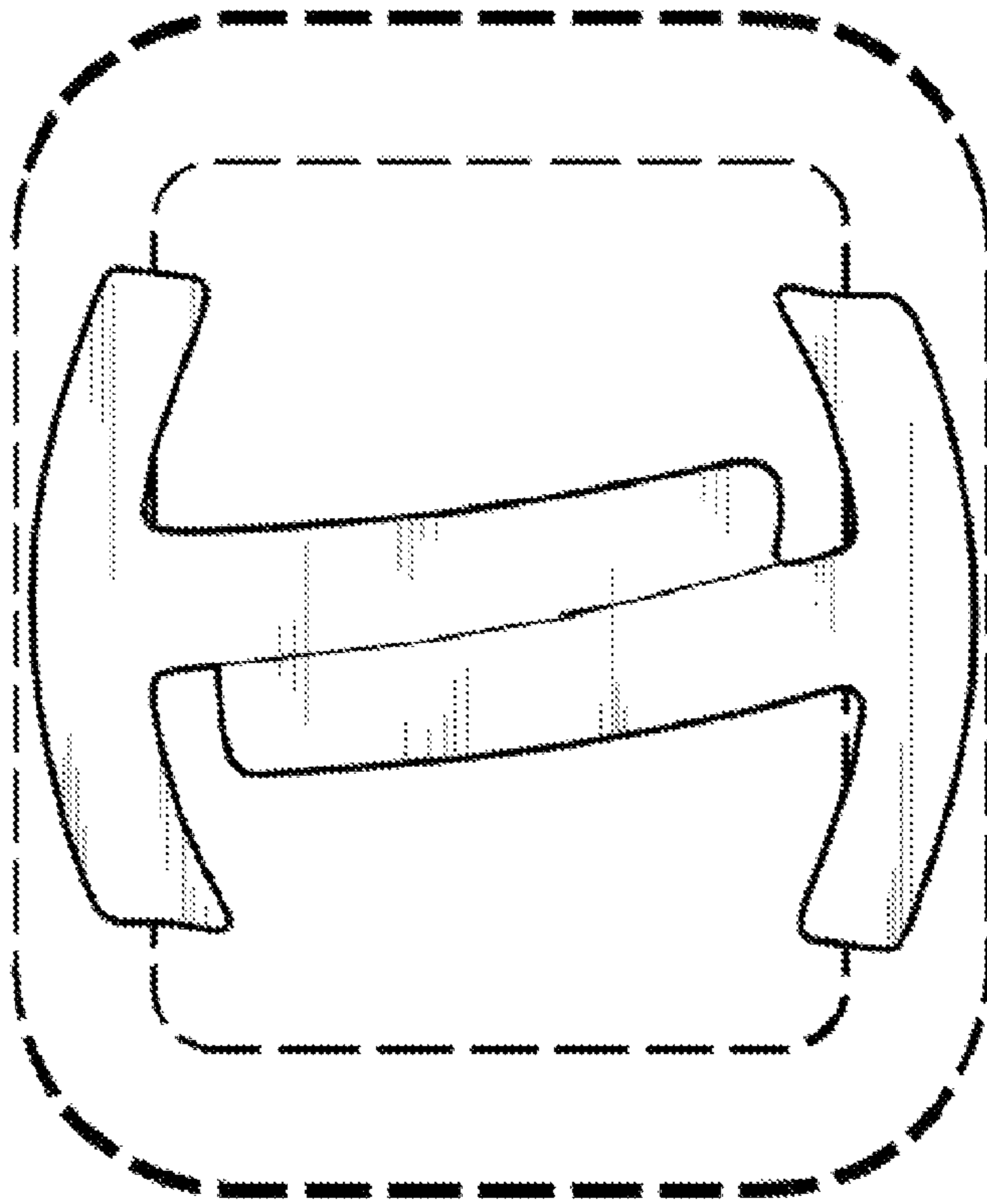


FIG. 2

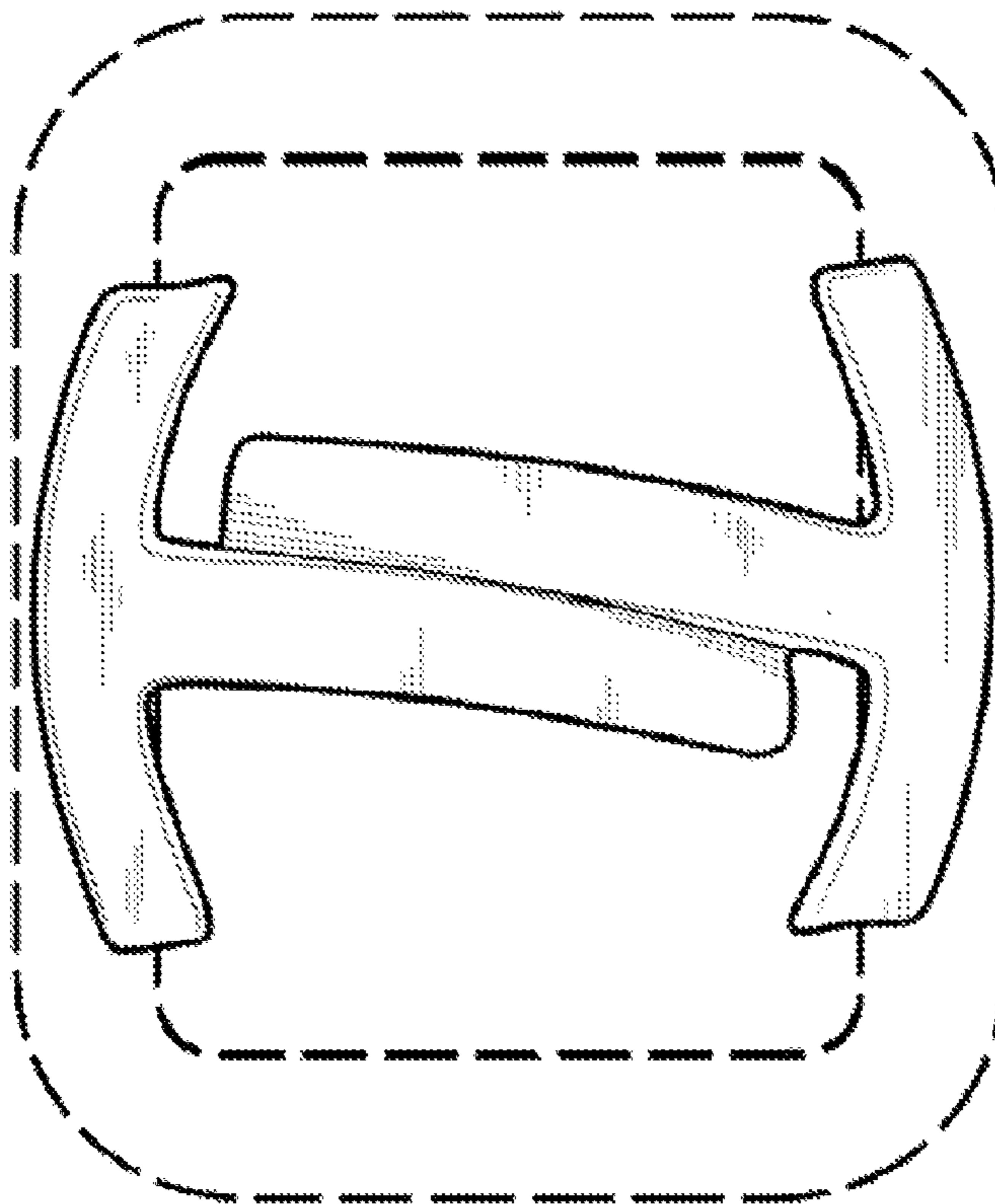


FIG. 1

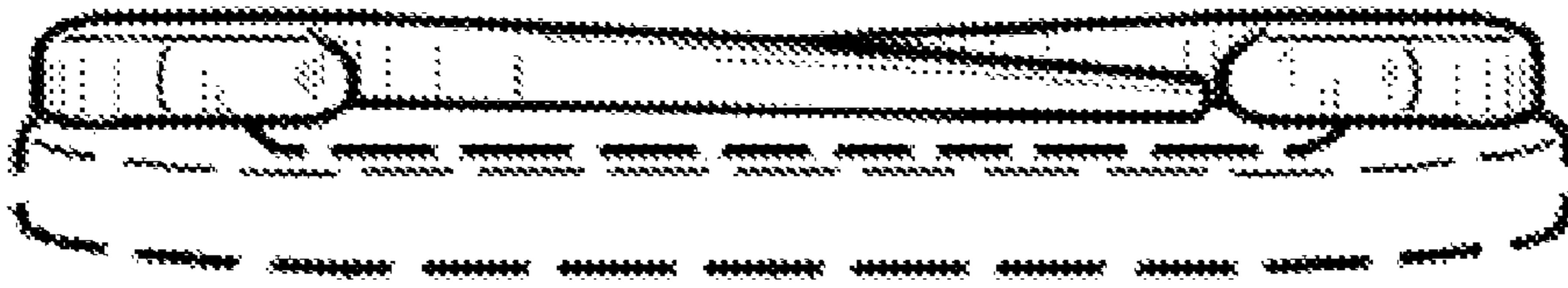


FIG. 4

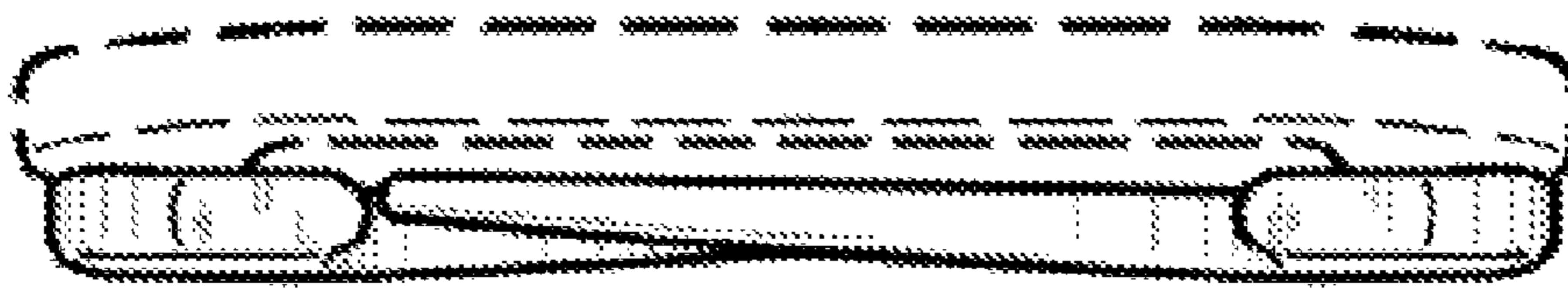


FIG. 3

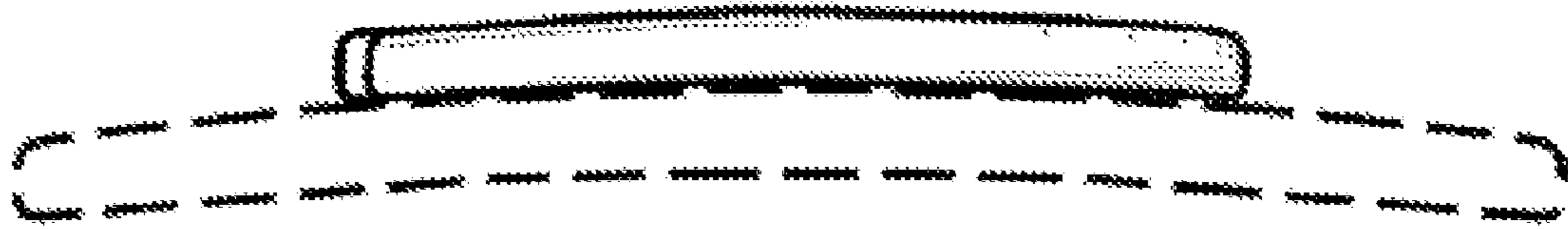


FIG. 5

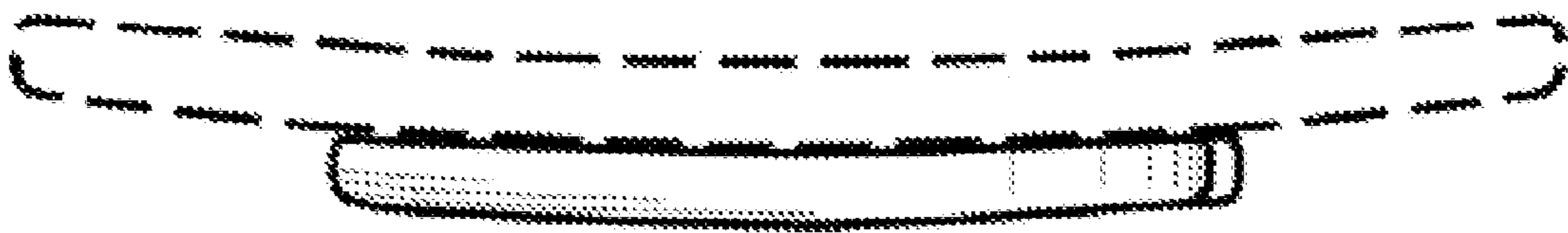


FIG. 6

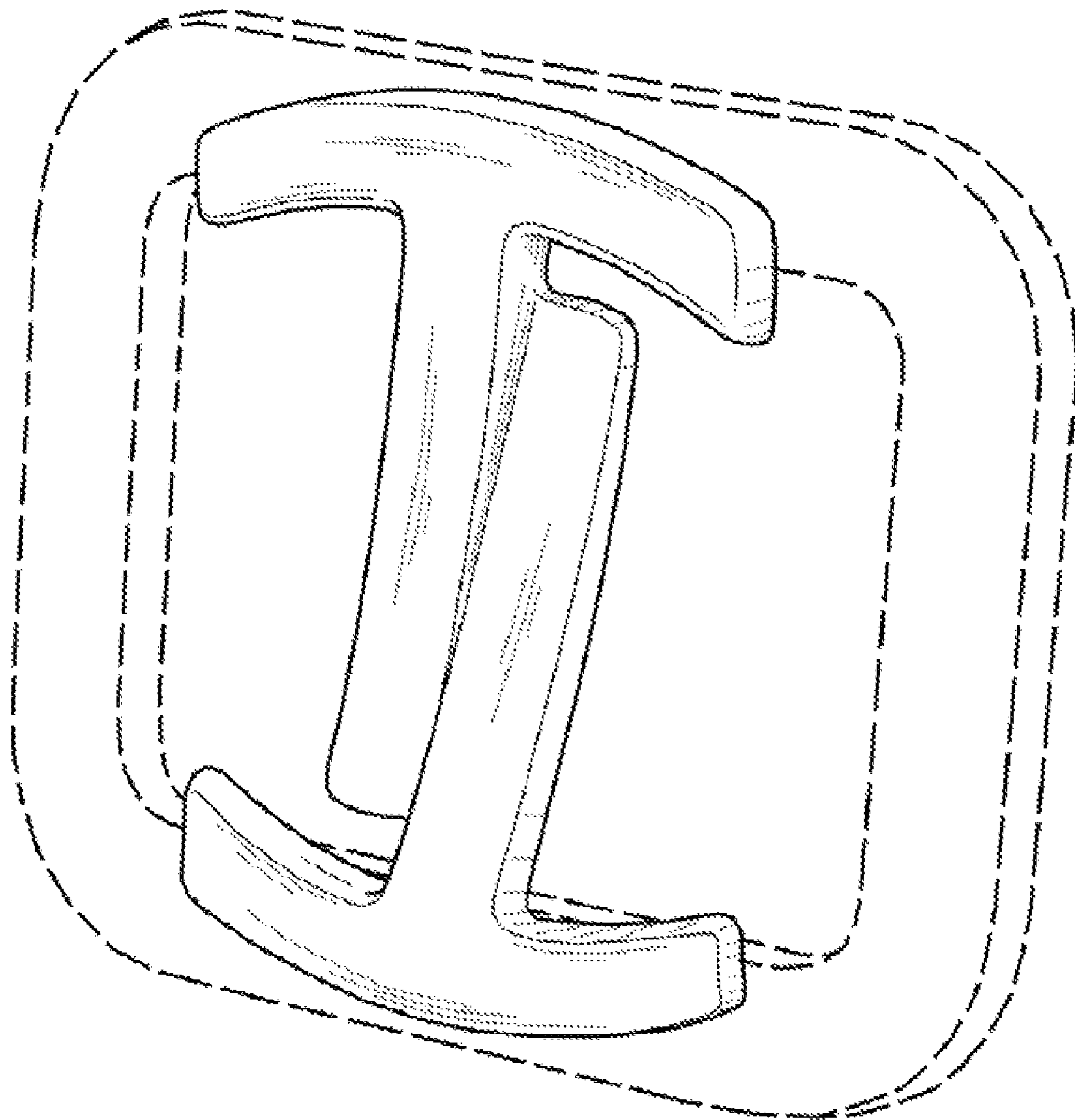


FIG. 7