



US00D604666S

(12) **United States Design Patent**  
**Fink**

(10) **Patent No.:** **US D604,666 S**

(45) **Date of Patent:** **\*\* Nov. 24, 2009**

(54) **HINGED RELEASABLE BUCKLE**

(75) Inventor: **Todd Fink**, Mokena, IL (US)

(73) Assignee: **Therafin Corporation**, Mokena, IL (US)

(\*\*) Term: **14 Years**

(21) Appl. No.: **29/337,500**

(22) Filed: **May 22, 2009**

(51) **LOC (9) Cl.** ..... **02-07**

(52) **U.S. Cl.** ..... **D11/218**

(58) **Field of Classification Search** ..... D11/200,  
D11/201, 214, 215, 216, 218, 231; 24/68 CD,  
24/68 R, 170, 191, 265 BC, 635, 636, 641;  
224/627; D3/215, 221

See application file for complete search history.

(56) **References Cited**

**U.S. PATENT DOCUMENTS**

2,938,254	A *	5/1960	Gaylord	.....	24/171
3,091,830	A *	6/1963	Harley	.....	24/170
3,175,806	A *	3/1965	Prete, Jr.	.....	24/68 CD
3,177,545	A *	4/1965	Svensson	.....	24/170
3,293,713	A *	12/1966	Gaylord	.....	24/196
3,574,342	A *	4/1971	Berns	.....	254/243
3,656,211	A *	4/1972	Turner et al.	.....	24/645
4,227,286	A *	10/1980	Holmberg	.....	24/68 CD
4,324,022	A *	4/1982	Prete, Jr.	.....	24/68 CD
D267,130	S *	12/1982	Goldman	.....	D11/216
4,510,651	A *	4/1985	Prete et al.	.....	24/68 R
D303,233	S *	9/1989	Jang	.....	D11/216
5,144,725	A *	9/1992	Krauss	.....	24/625
5,222,279	A *	6/1993	Frano et al.	.....	24/625
5,282,296	A *	2/1994	Huang	.....	24/68 CD
5,291,638	A *	3/1994	Huang	.....	24/170
5,311,649	A *	5/1994	Suh	.....	24/625
5,311,653	A *	5/1994	Merrick	.....	24/196
5,465,472	A	11/1995	Matoba	.....	

5,471,716	A	12/1995	Takahashi	
5,507,076	A	4/1996	Anscher	
5,584,105	A	12/1996	Krauss	
5,590,444	A	1/1997	Krauss	
D378,070	S *	2/1997	Hurd	..... D11/215
5,774,956	A	7/1998	French et al.	
5,893,199	A *	4/1999	Anscher	..... 24/625
D409,114	S *	5/1999	Bortner	..... D11/216
6,148,485	A *	11/2000	Wu	..... 24/163 R
6,360,410	B1 *	3/2002	Lovato	..... 24/662
6,637,077	B2 *	10/2003	Doty	..... 24/302
6,871,517	B2	3/2005	Bonelli et al.	
7,334,301	B2 *	2/2008	Huang	..... 24/170

\* cited by examiner

*Primary Examiner*—Paula Greene

(74) *Attorney, Agent, or Firm*—Leydig, Voit & Mayer, Ltd.

(57) **CLAIM**

The ornamental design for a hinged releasable buckle, as substantially shown and described.

**DESCRIPTION**

FIG. 1 is a perspective view of a hinged releasable buckle showing my new design, taken from the top and front thereof, the dotted lines depicting environmental subject matter only and forming no part of the claimed design;

FIG. 2 is a further perspective view of my new design taken from the top and front thereof with the right side portion rotated downwardly;

FIG. 3 is a further perspective view of my new design taken from the top and front thereof with the right side portion rotated upwardly;

FIG. 4 is a bottom plan view thereof;

FIG. 5 is a top plan view thereof;

FIG. 6 is a front side elevational view thereof; and,

FIG. 7 is a rear side elevational view thereof.

**1 Claim, 5 Drawing Sheets**

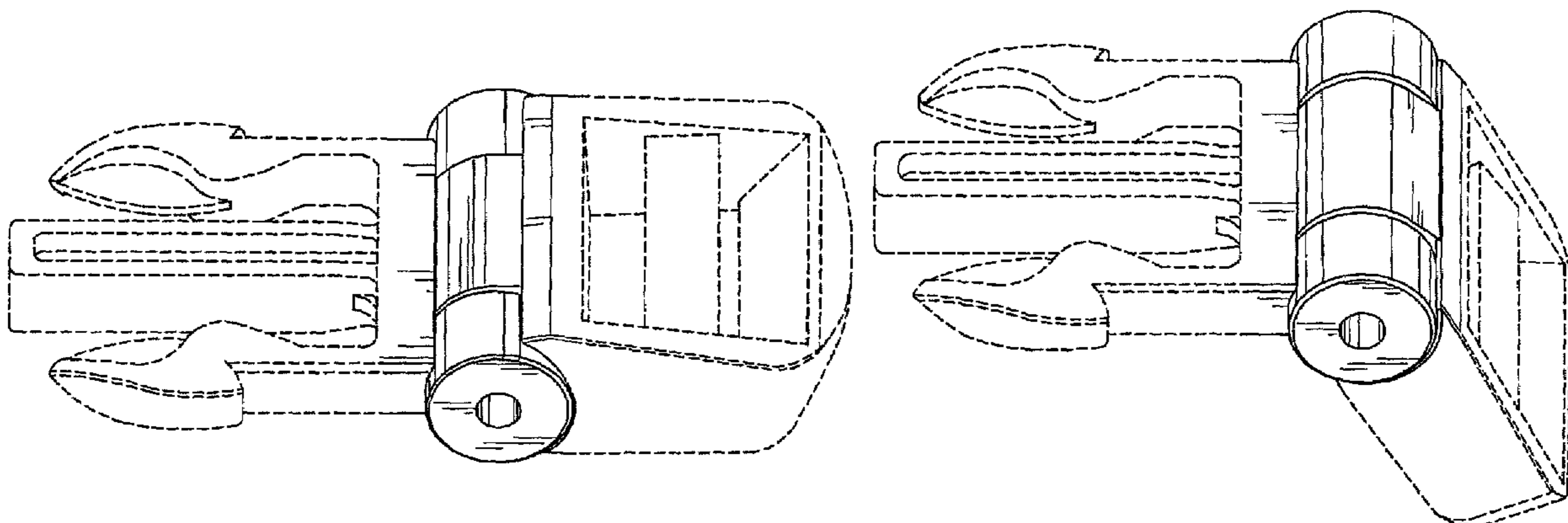


FIG. 1

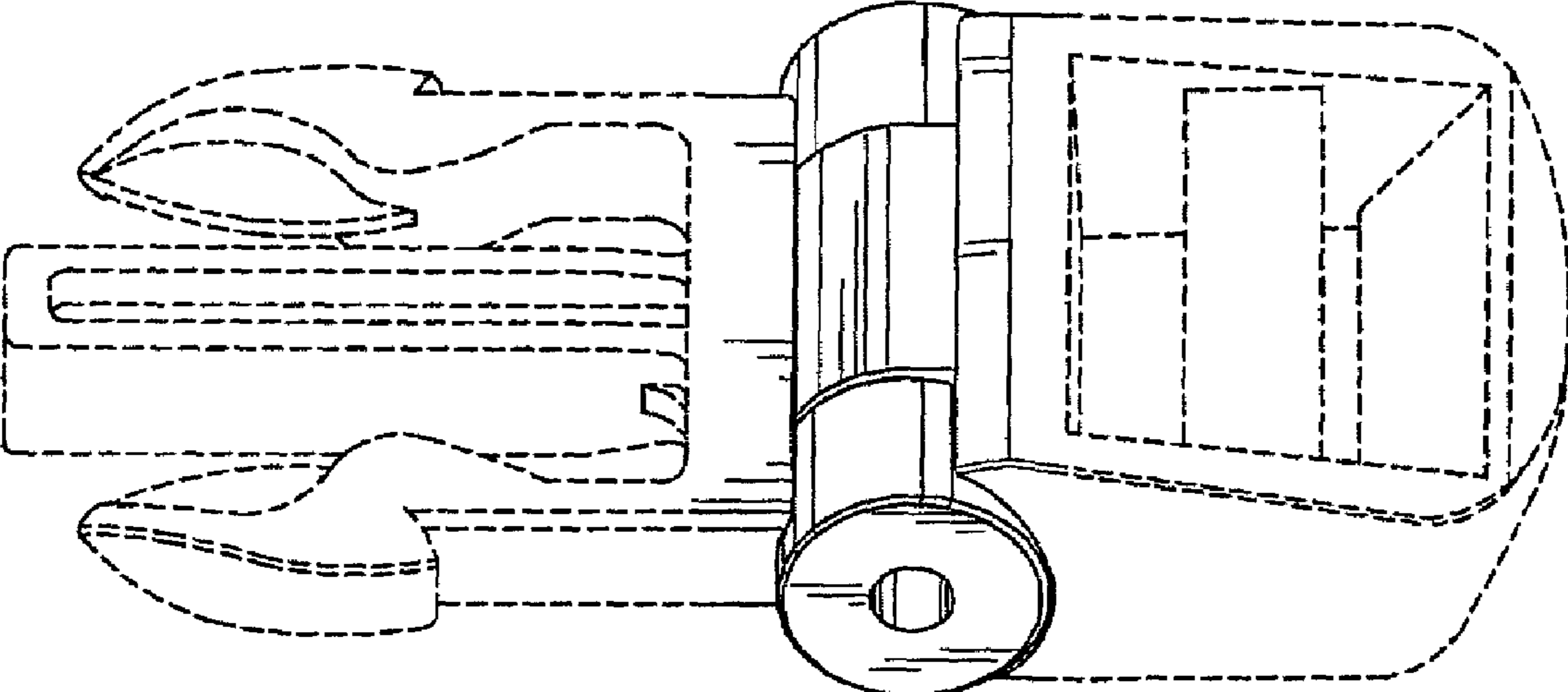


FIG. 2

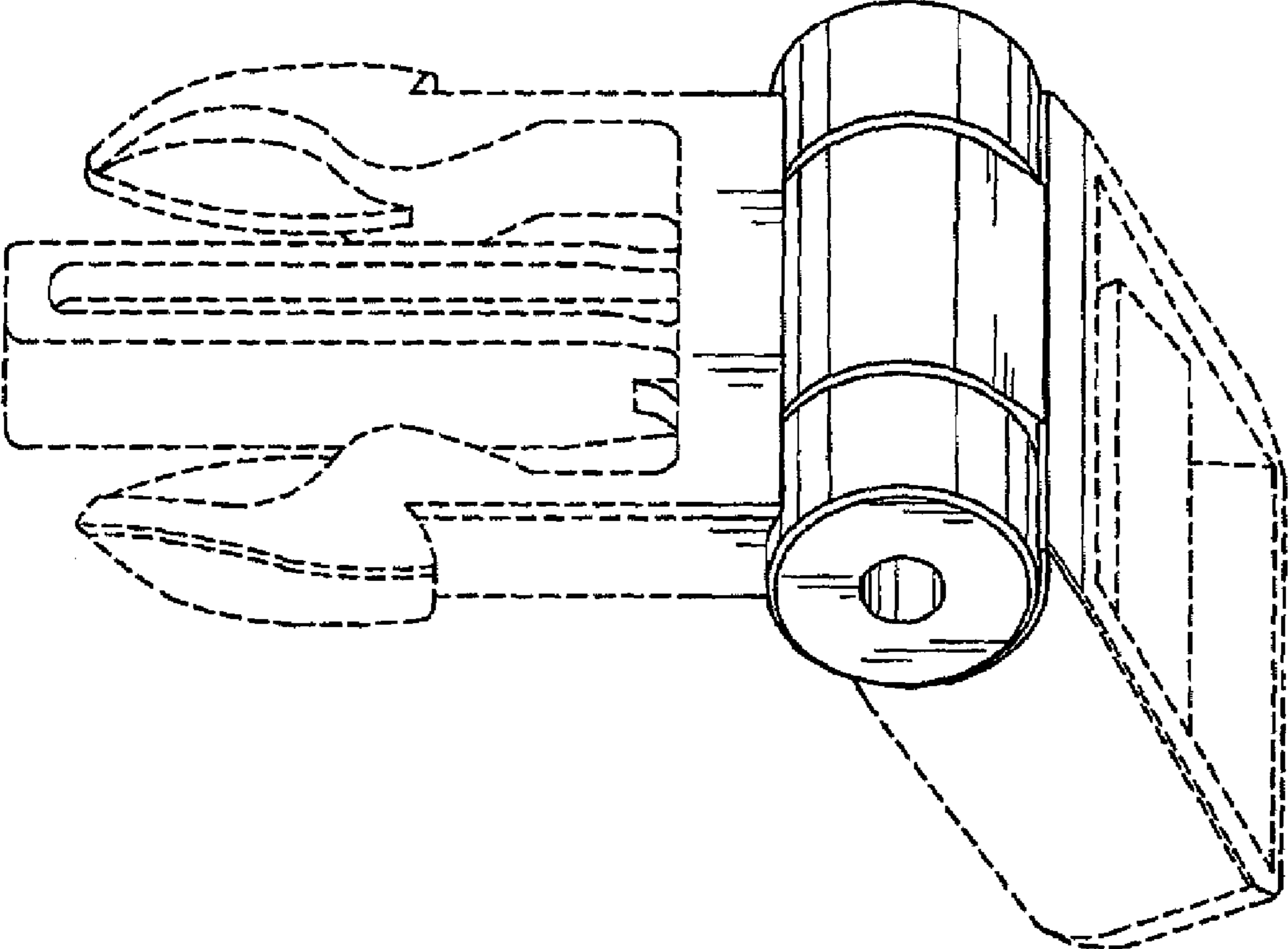


FIG. 3

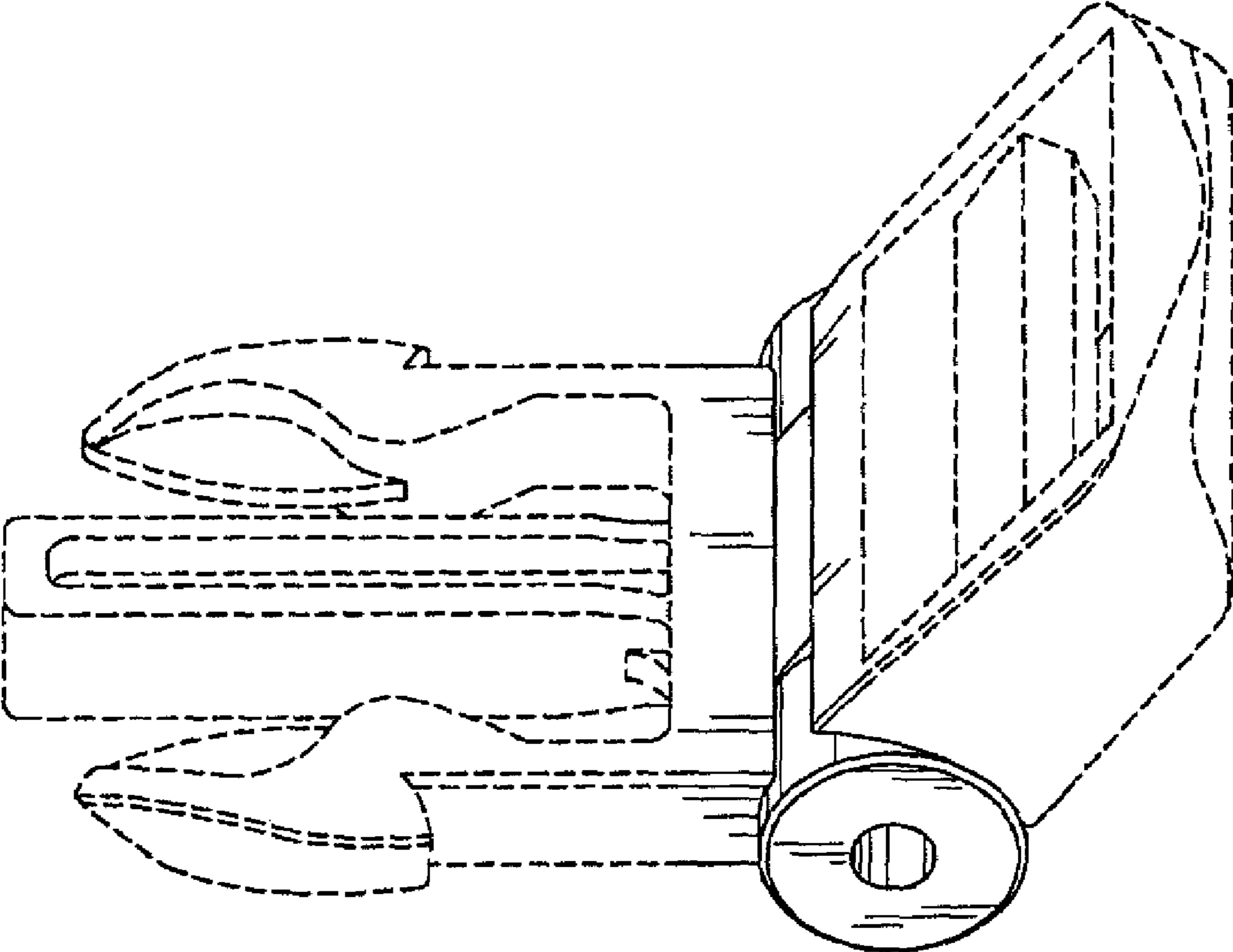


FIG. 4

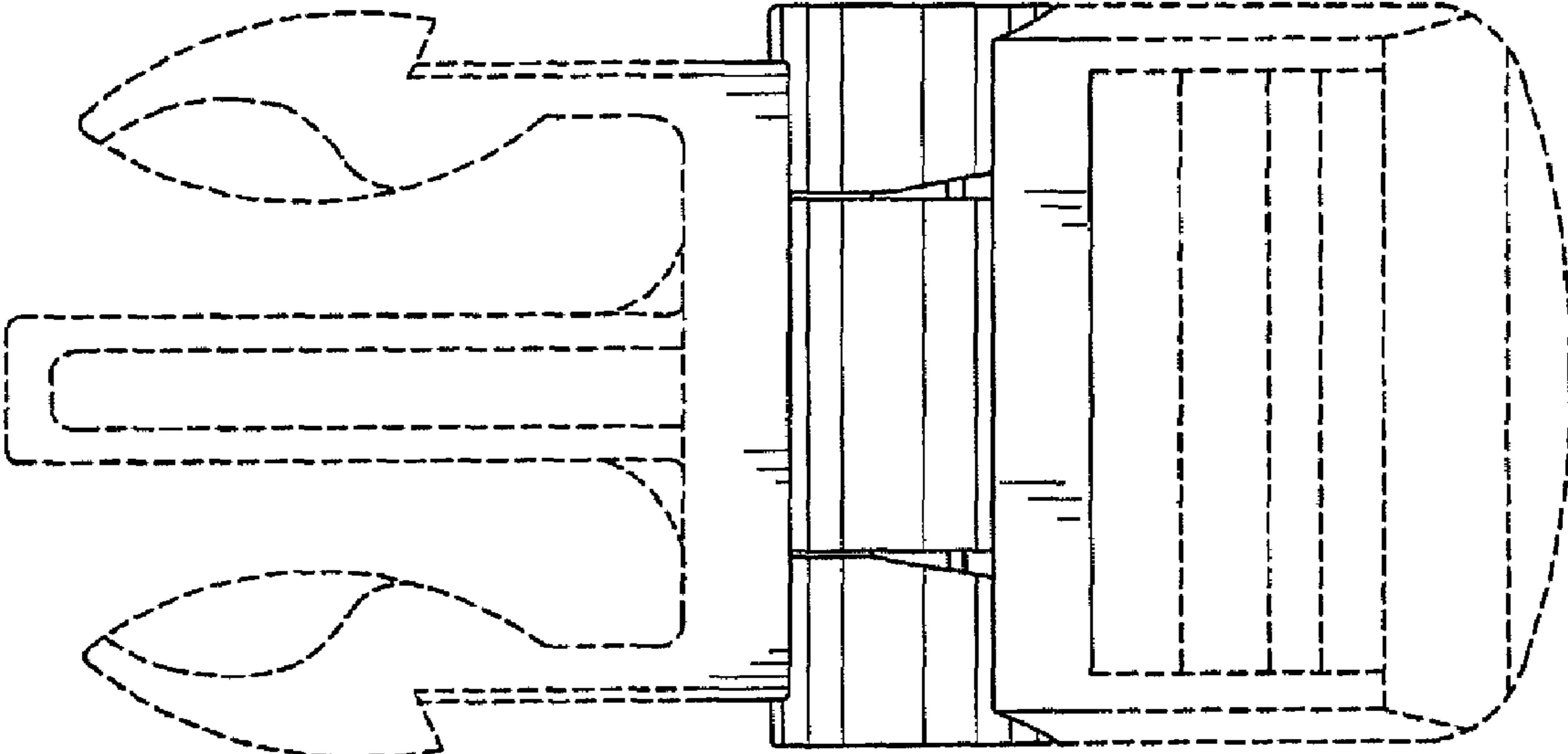


FIG. 5

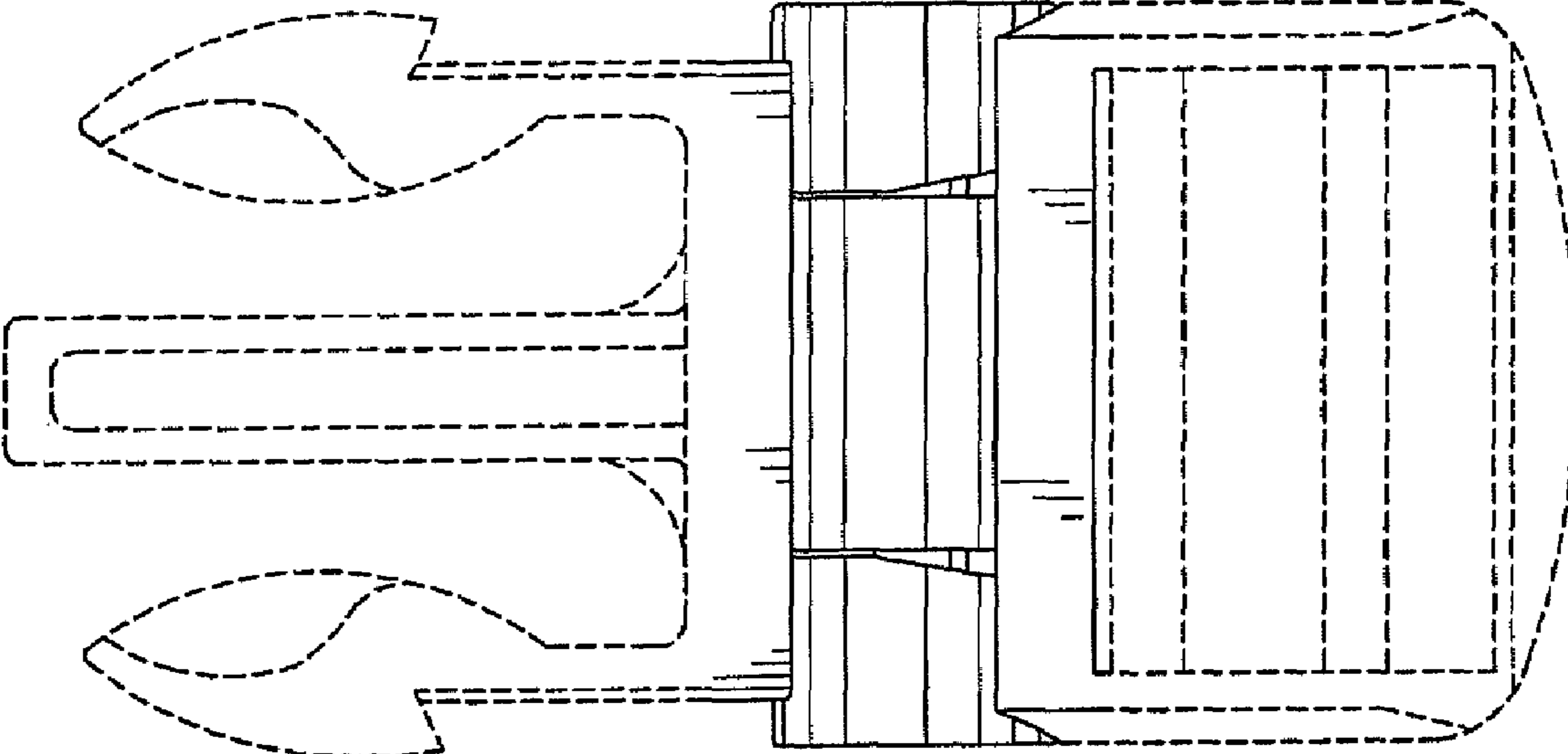


FIG. 6

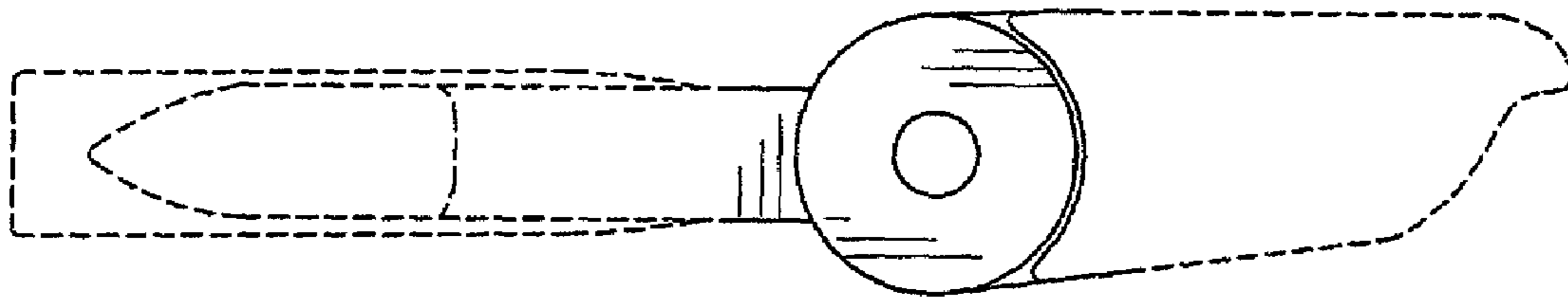


FIG. 7

