



US00D604665S

(12) **United States Design Patent**  
**Aoyama**

(10) **Patent No.:** **US D604,665 S**  
(45) **Date of Patent:** **\*\* Nov. 24, 2009**

(54) **PLANT POT**

(75) Inventor: **Matsuo Aoyama**, Chita-Gun (JP)

(73) Assignee: **Kaneya Co., Ltd.**, Chita-gun (JP)

(\*\*) Term: **14 Years**

(21) Appl. No.: **29/332,203**

(22) Filed: **Feb. 11, 2009**

(30) **Foreign Application Priority Data**

Jan. 23, 2009 (JP) ..... 2009-001259

(51) **LOC (9) Cl.** ..... **11-02**

(52) **U.S. Cl.** ..... **D11/152**

(58) **Field of Classification Search** ..... D6/556-558;  
D8/1; D11/143-156; D19/77, 80, 81; D26/9,  
D26/16; D34/1, 2, 4-6; D99/5, 19; 47/33,  
47/41.01, 41.1, 41.11-41.15, 65.5, 66.6,  
47/66.7, 67, 71, 75, 81

See application file for complete search history.

(56) **References Cited**

**U.S. PATENT DOCUMENTS**

805,491 A \* 11/1905 Sedlacek ..... 47/75  
2,514,269 A \* 7/1950 Wilberschied ..... 47/81  
D187,807 S \* 5/1960 Manfredi ..... D11/155  
4,142,324 A \* 3/1979 Magyar, Jr. .... 47/75  
4,510,712 A \* 4/1985 Whitcomb ..... 47/65.5  
4,553,352 A \* 11/1985 Powell et al. .... 47/71  
D436,887 S \* 1/2001 Fan ..... D11/152

D557,174 S \* 12/2007 Aoyama ..... D11/152  
D564,939 S \* 3/2008 Fan ..... D11/152  
D577,630 S \* 9/2008 Schmidt ..... D11/152  
D586,062 S \* 2/2009 Skalka ..... D34/1

**FOREIGN PATENT DOCUMENTS**

EM 000544580-0001 6/2006

\* cited by examiner

*Primary Examiner*—Caron Veynar

*Assistant Examiner*—Garth Rademaker

(74) *Attorney, Agent, or Firm*—Burr & Brown

(57) **CLAIM**

The ornamental design for a plant pot, as shown and described.

**DESCRIPTION**

FIG. 1 is a front view of a plant pot illustrating my new design;

FIG. 2 is a left side view thereof;

FIG. 3 is a top plan view thereof;

FIG. 4 is a bottom plan view thereof;

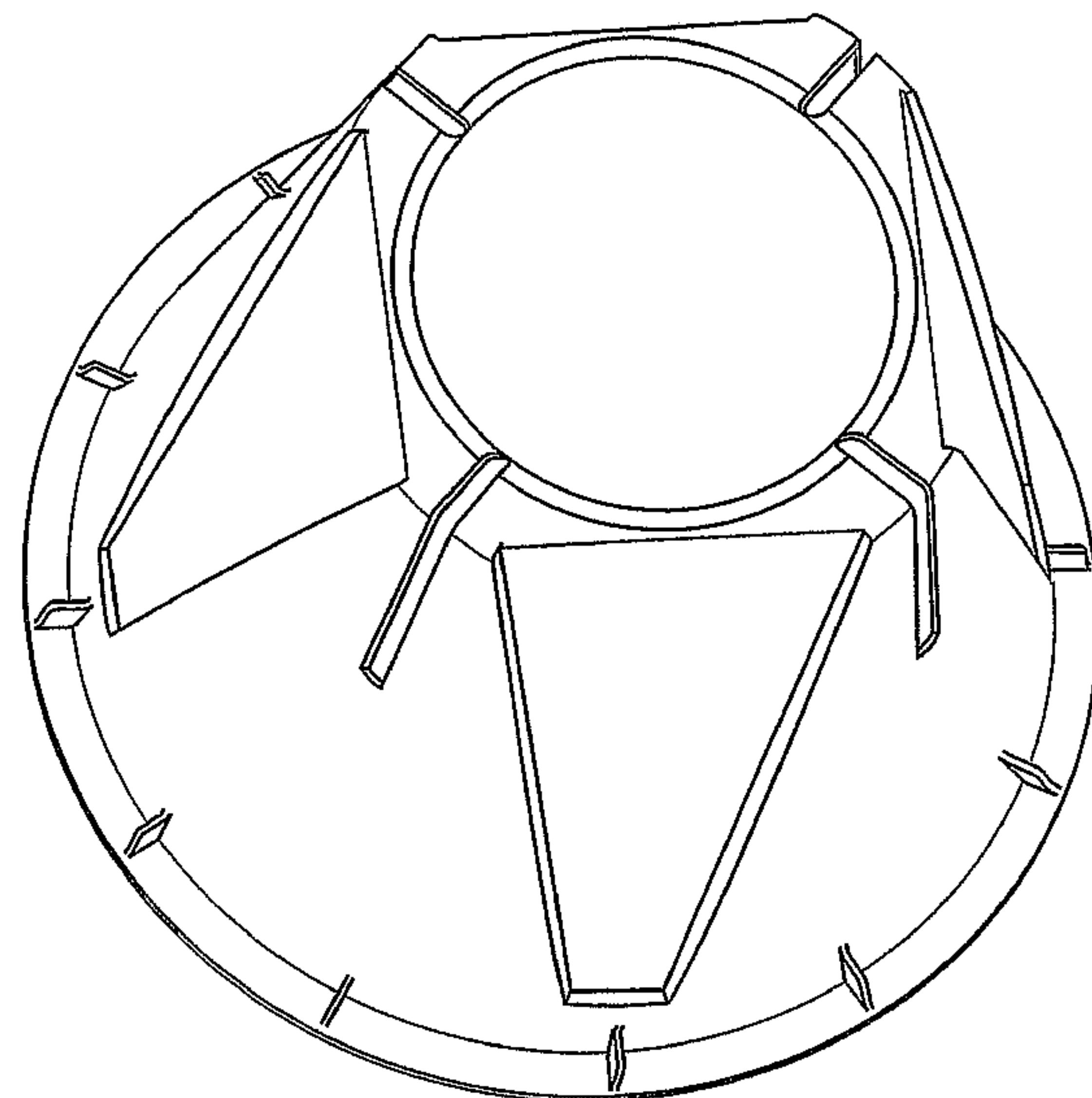
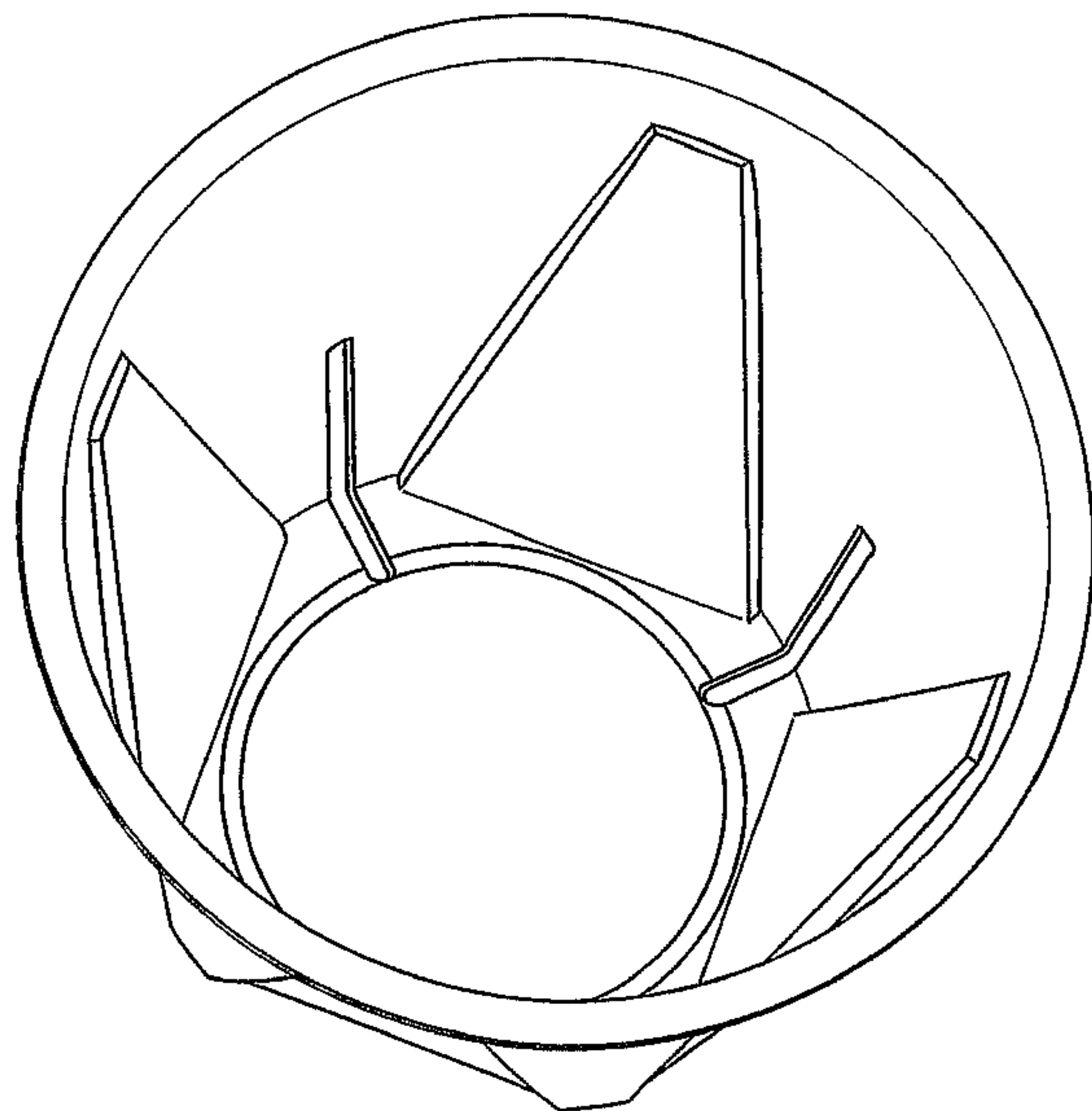
FIG. 5 is a cross section view thereof, taken through line 5—5 of FIG. 3;

FIG. 6 is a cross section view thereof, taken through line 6—6 of FIG. 3;

FIG. 7 is a top perspective view thereof; and,

FIG. 8 is a bottom perspective view thereof.

**1 Claim, 8 Drawing Sheets**



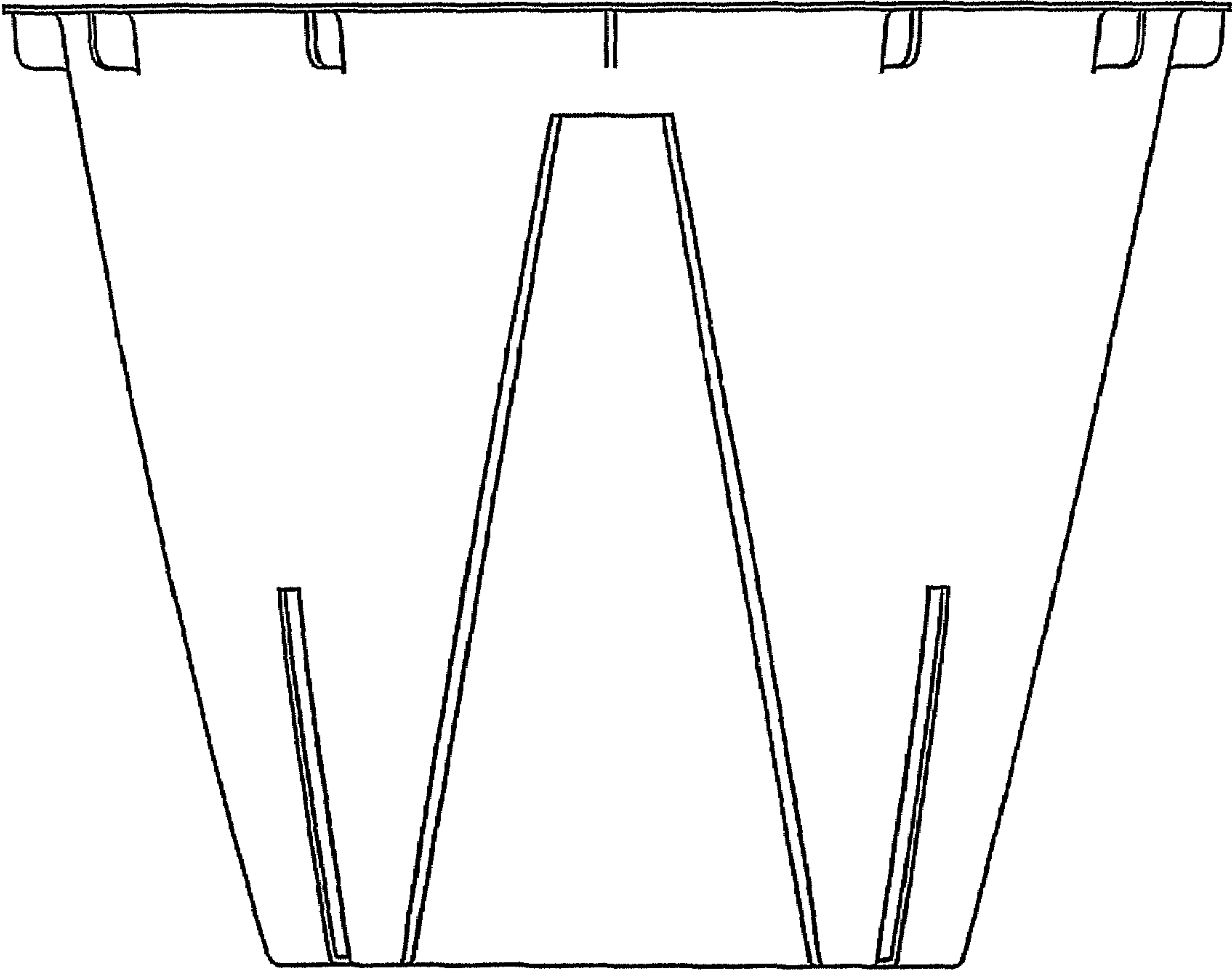


Fig. 1

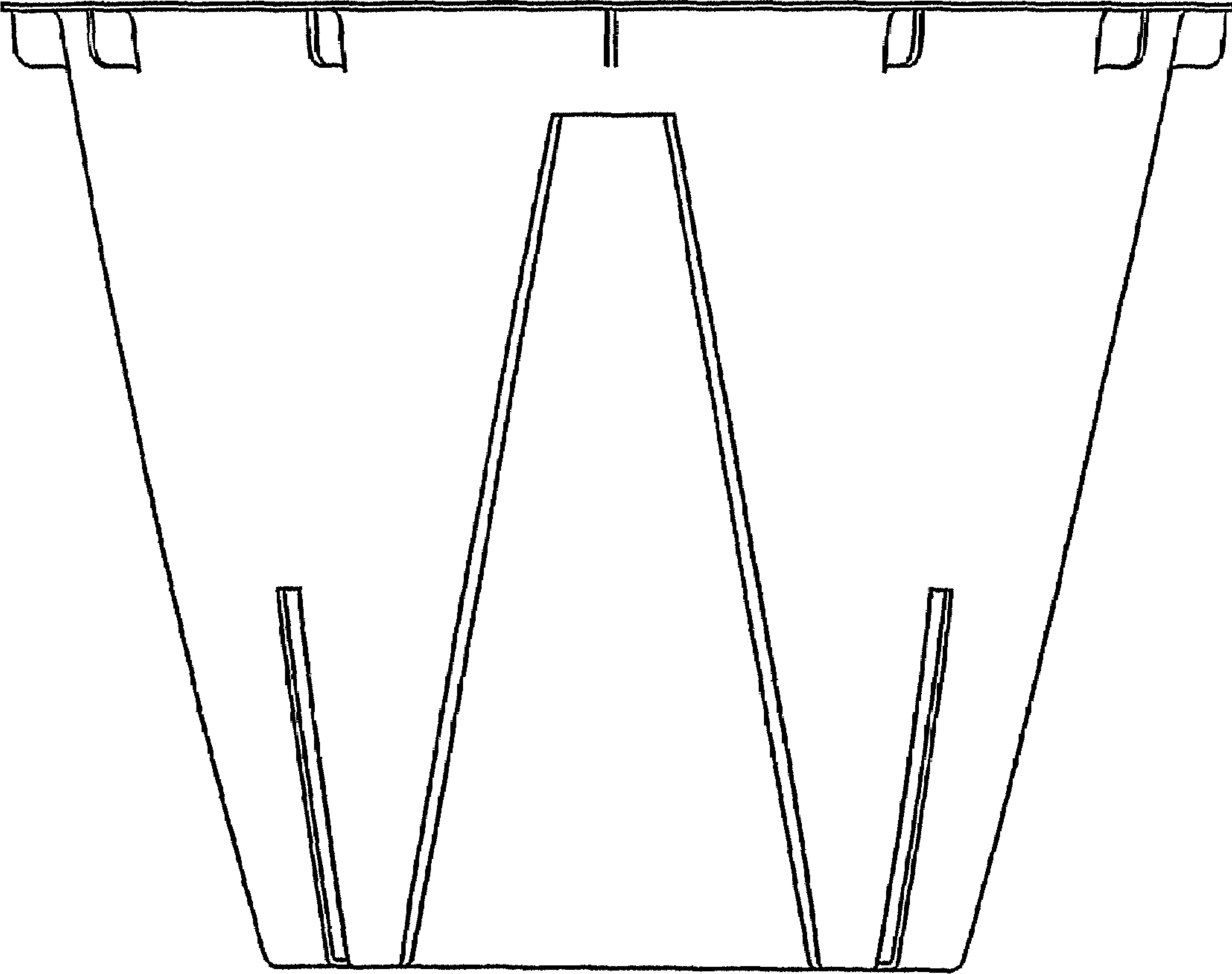


Fig. 2

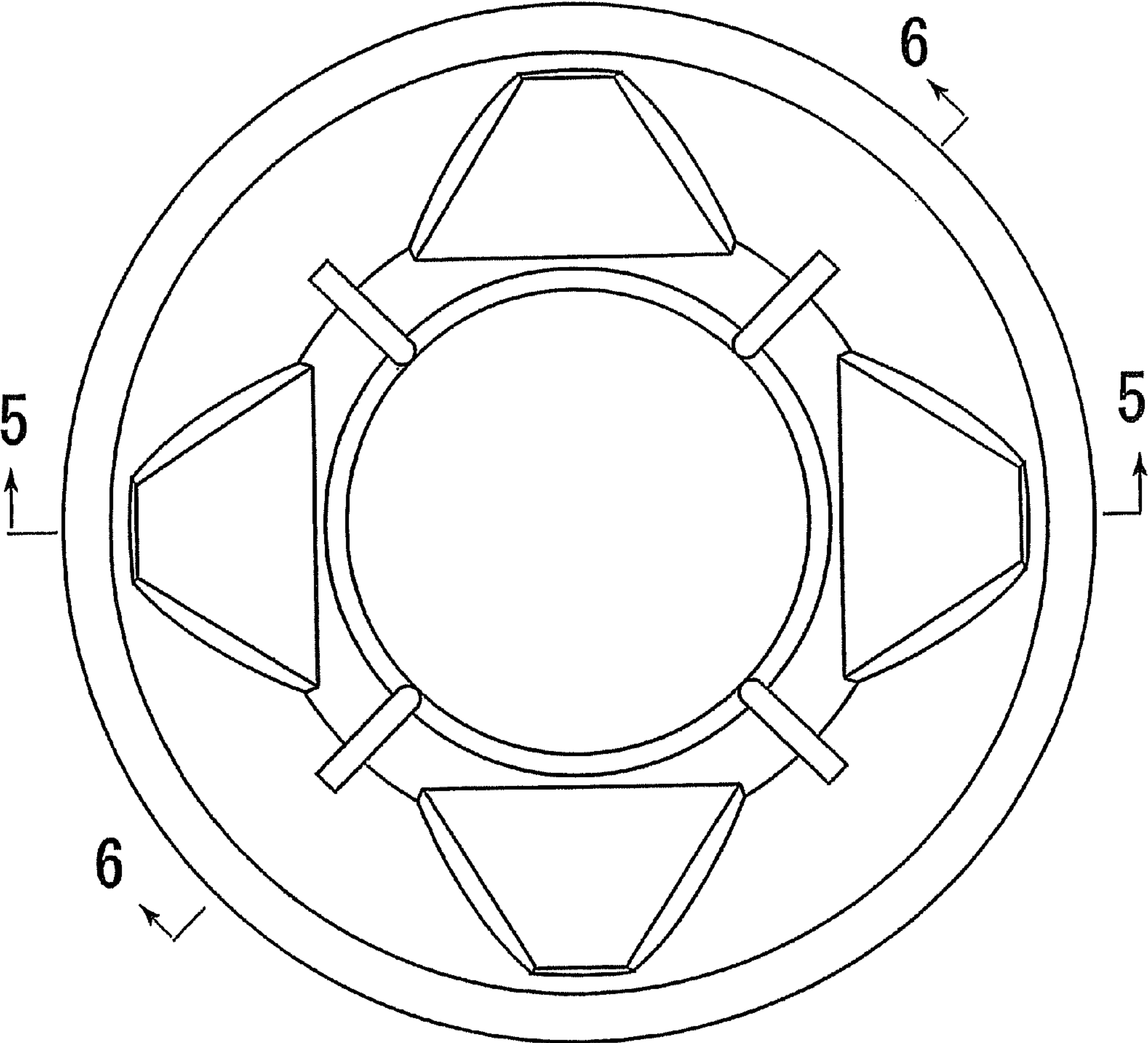


Fig. 3

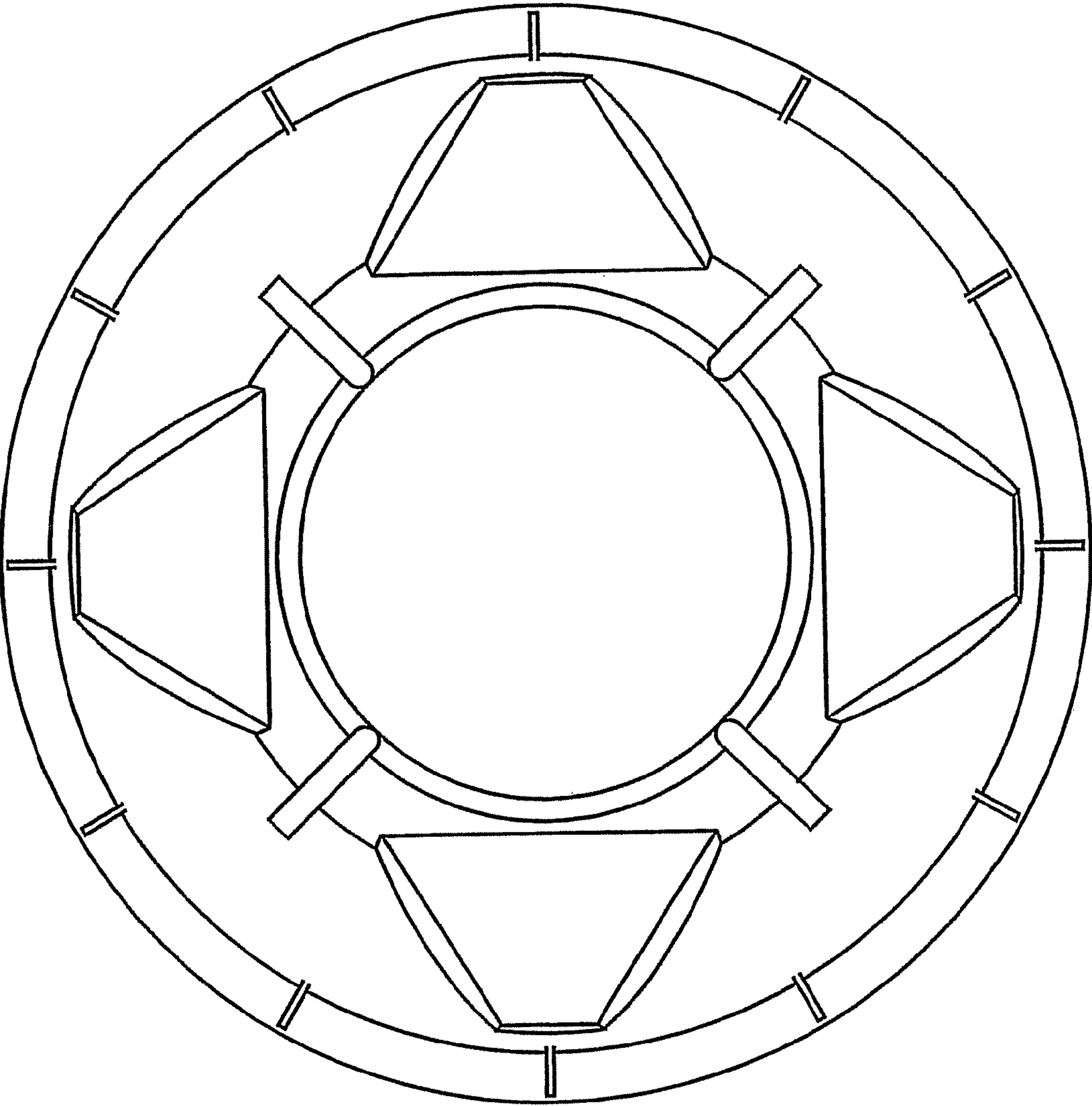


Fig. 4

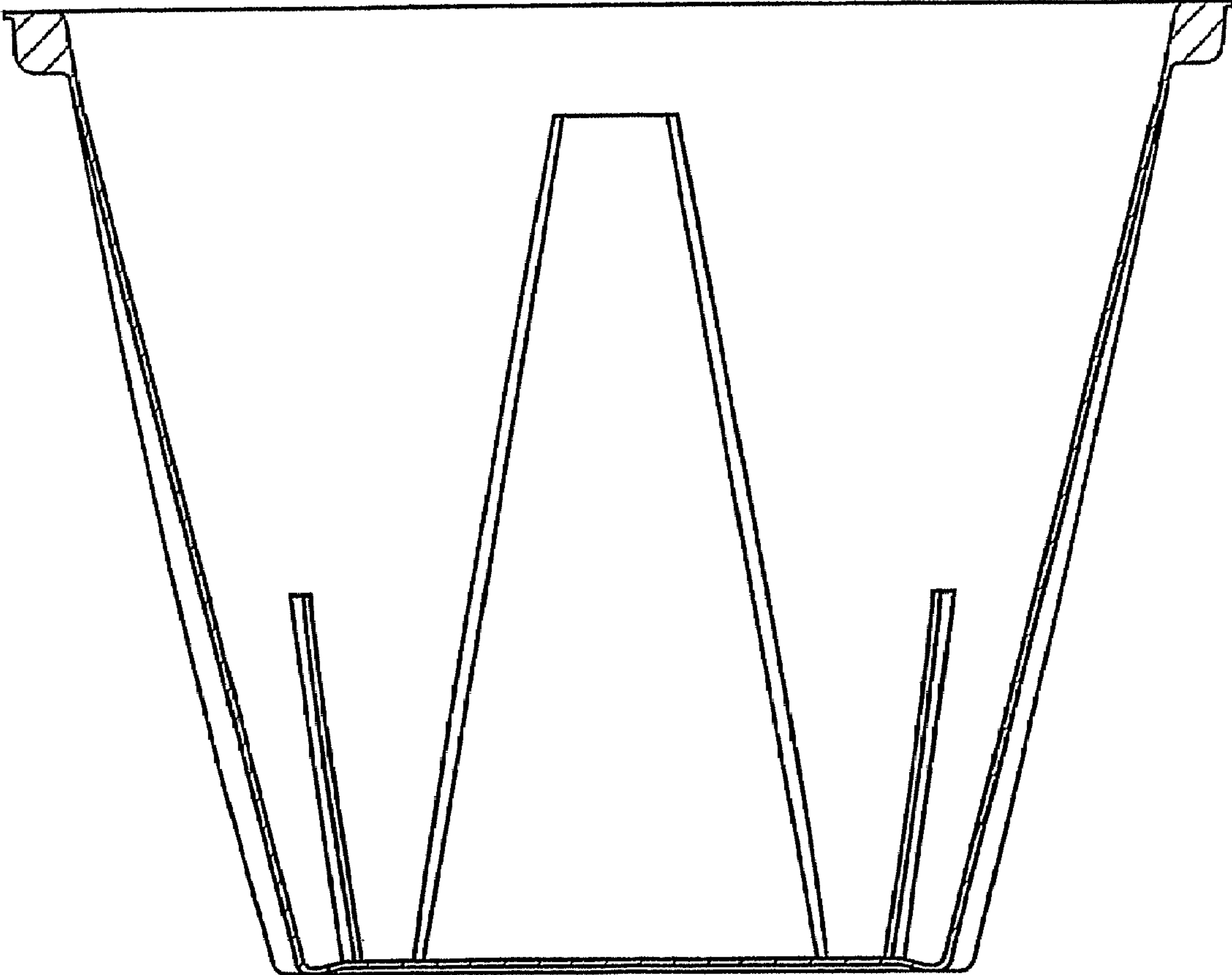


Fig. 5



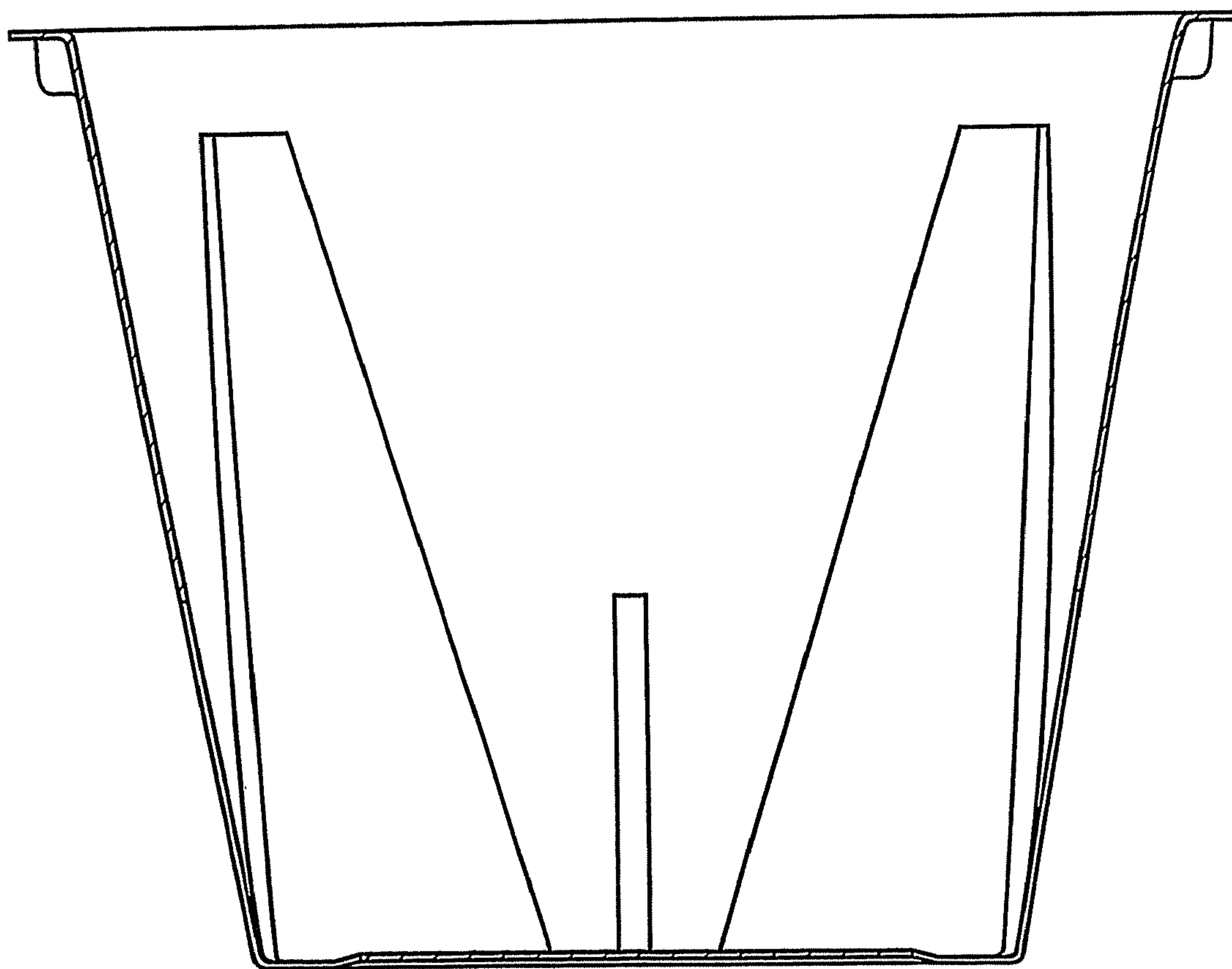


Fig. 6

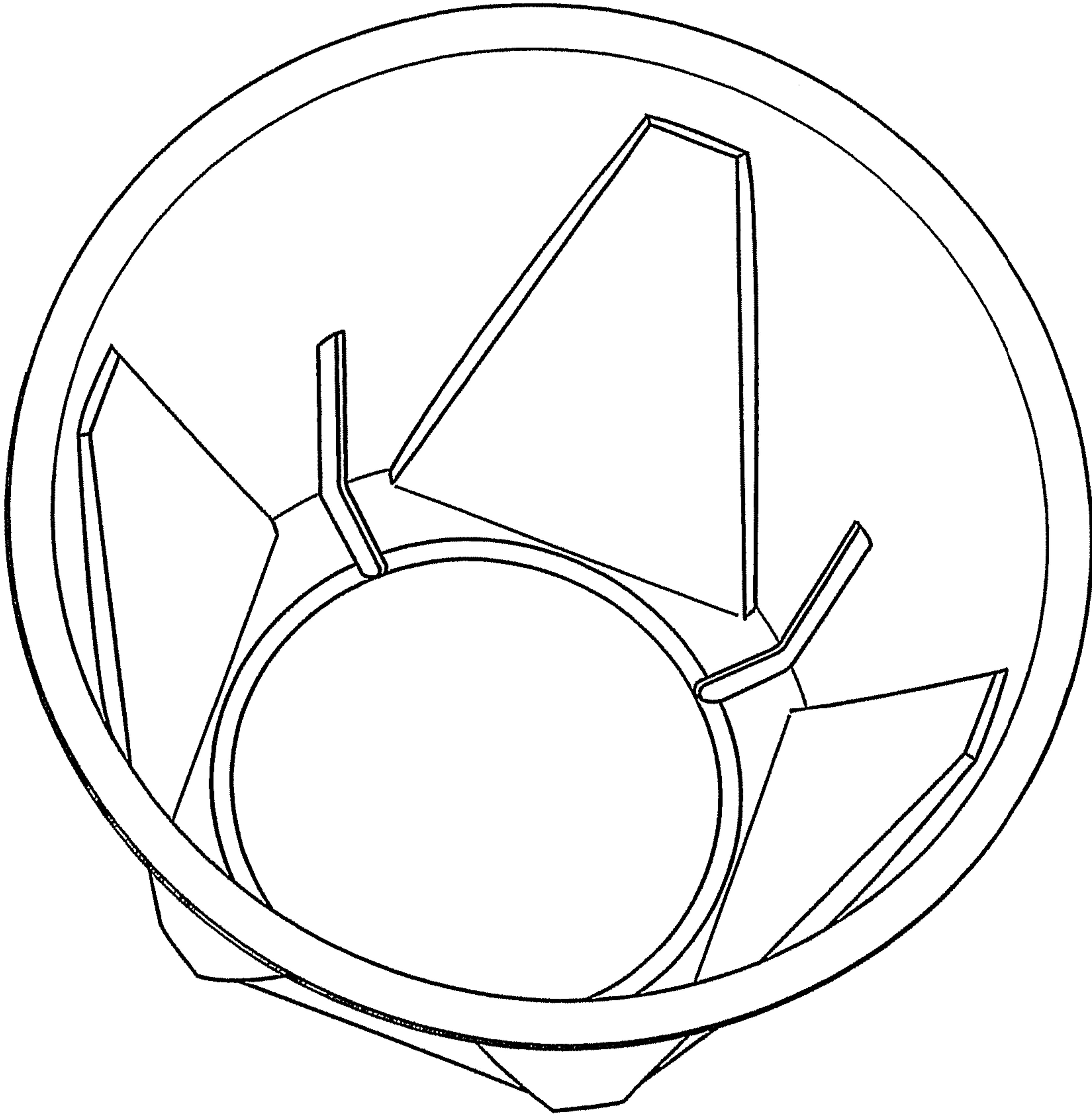


Fig. 7



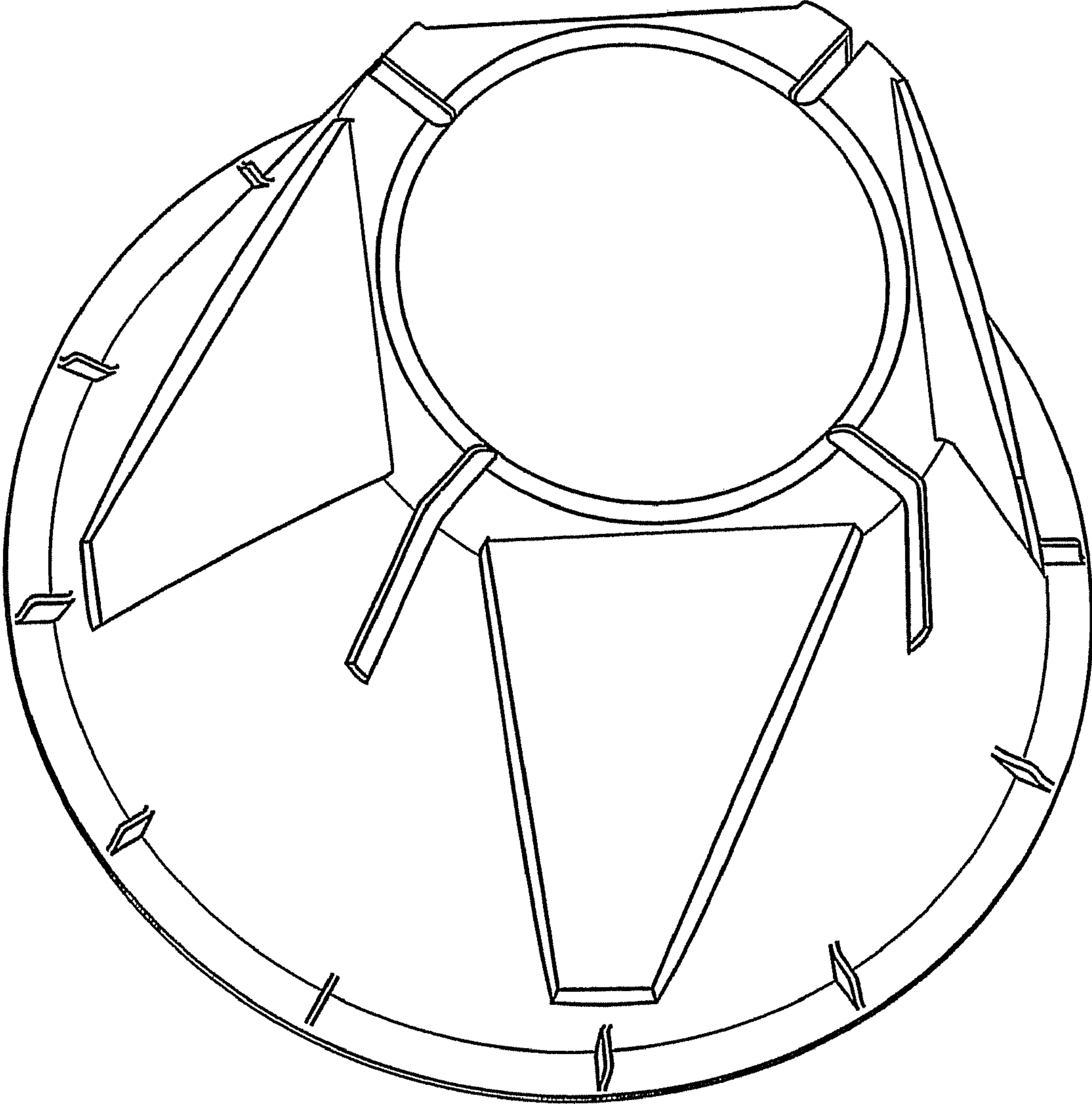


Fig. 8