



US00D604656S

(12) **United States Design Patent**
Marks

(10) **Patent No.:** **US D604,656 S**

(45) **Date of Patent:** **** Nov. 24, 2009**

(54) **RING**

(75) Inventor: **Sandy Marks**, Dallas, TX (US)

(73) Assignee: **SBRE, L.L.C.**, New York, NY (US)

(**) Term: **14 Years**

(21) Appl. No.: **29/338,055**

(22) Filed: **Jun. 3, 2009**

(51) **LOC (9) Cl.** **11-01**

(52) **U.S. Cl.** **D11/34**

(58) **Field of Classification Search** D11/26-39,
D11/89-94; 63/15, 15.1-15.4, 15.45, 15.5,
63/15.6, 15.65, 15.7, 26-27

See application file for complete search history.

(56) **References Cited**

U.S. PATENT DOCUMENTS

D059,495 S	10/1921	Kreisler	
D080,786 S	3/1930	Granat	
D129,638 S *	9/1941	Mark	D11/4
D253,403 S	11/1979	Glueckselig	
D262,528 S *	1/1982	Carbino	D11/27
D264,827 S *	6/1982	Cunningham	D11/34
D291,664 S *	9/1987	Kelman	D11/27
D354,697 S *	1/1995	Andrau	D11/34
D445,057 S	7/2001	Chanaratsopon et al.	
D471,836 S	3/2003	Chanaratsopon et al.	

D538,696 S *	3/2007	Azrielant	D11/28
D538,697 S *	3/2007	Azrielant	D11/28
D542,694 S *	5/2007	Schweizer	D11/34
D542,695 S *	5/2007	Schweizer	D11/34
D546,726 S *	7/2007	Azrielant	D11/35

* cited by examiner

Primary Examiner—Cathron C Brooks

Assistant Examiner—Melanie Levy

(74) *Attorney, Agent, or Firm*—Pearl Cohen Zedek Latzer, LLP

(57) **CLAIM**

The ornamental design for a ring, as shown and described.

DESCRIPTION

FIG. 1 is a top, back right side perspective view of the ring; FIG. 2 is a front elevational view, the back view being identical thereto;

FIG. 3 is a right side elevational view thereof;

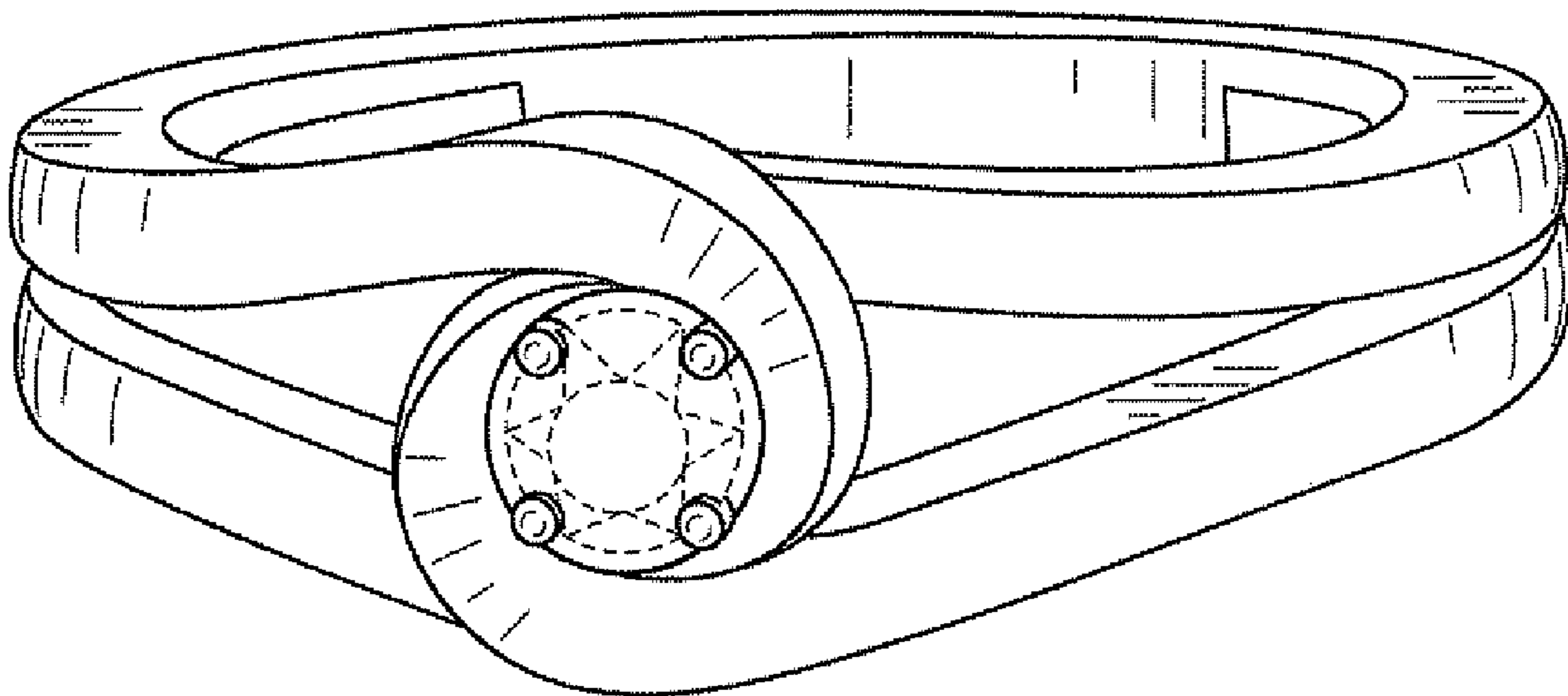
FIG. 4 is a left side elevational view thereof;

FIG. 5 is a top plan view thereof; and,

FIG. 6 is a bottom plan view thereof.

The broken lines depict environment features and form no part of the claimed design.

1 Claim, 2 Drawing Sheets



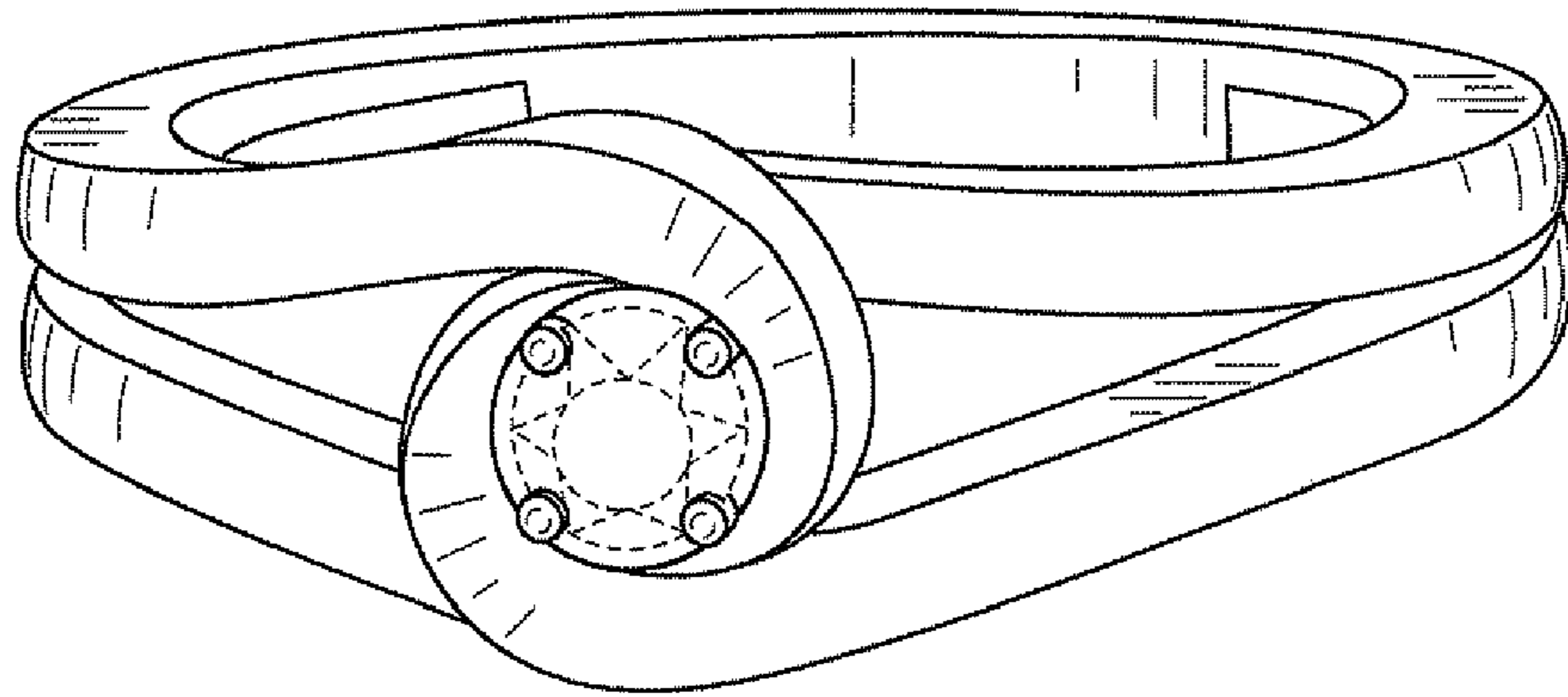


FIG. 1

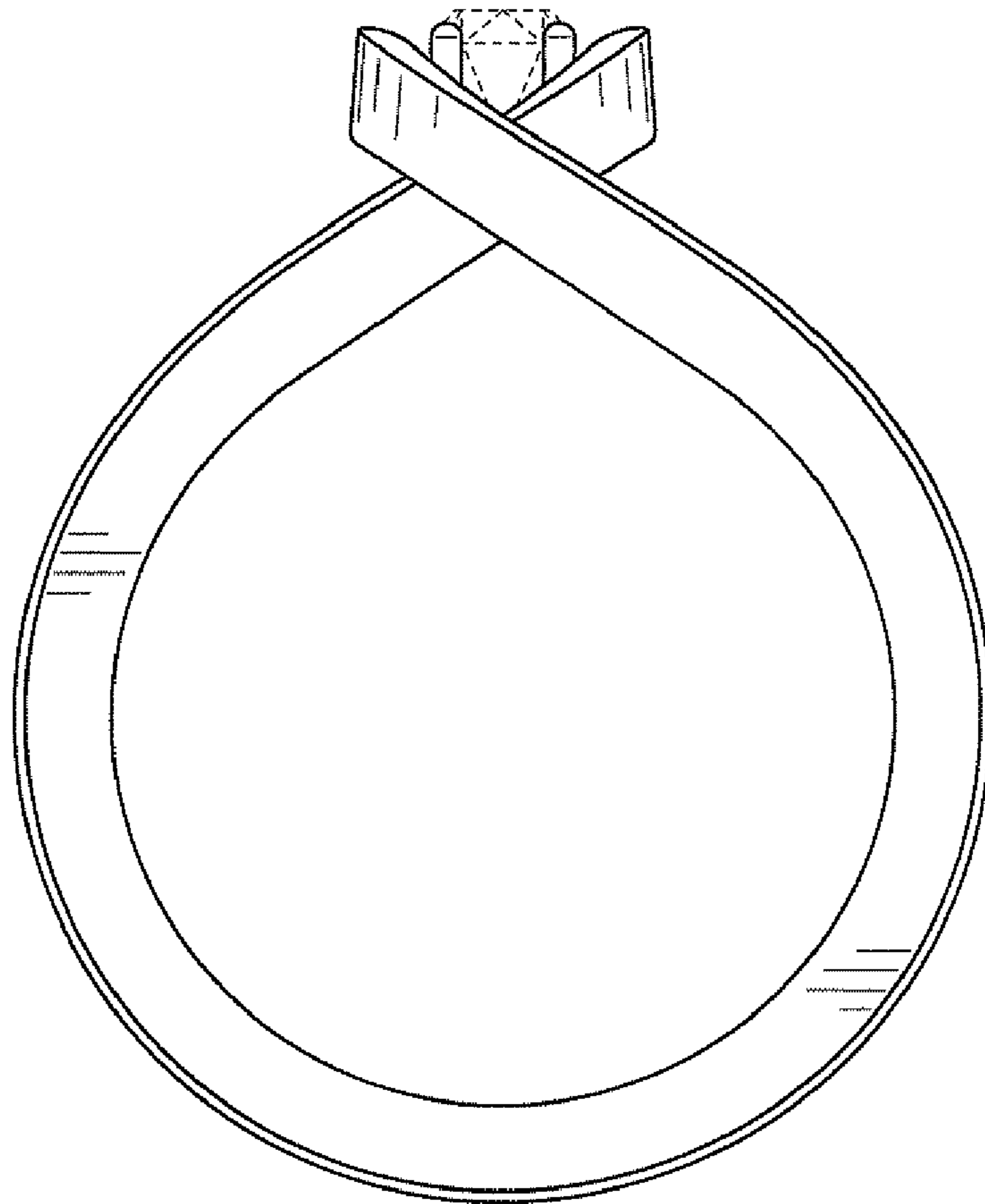


FIG. 2

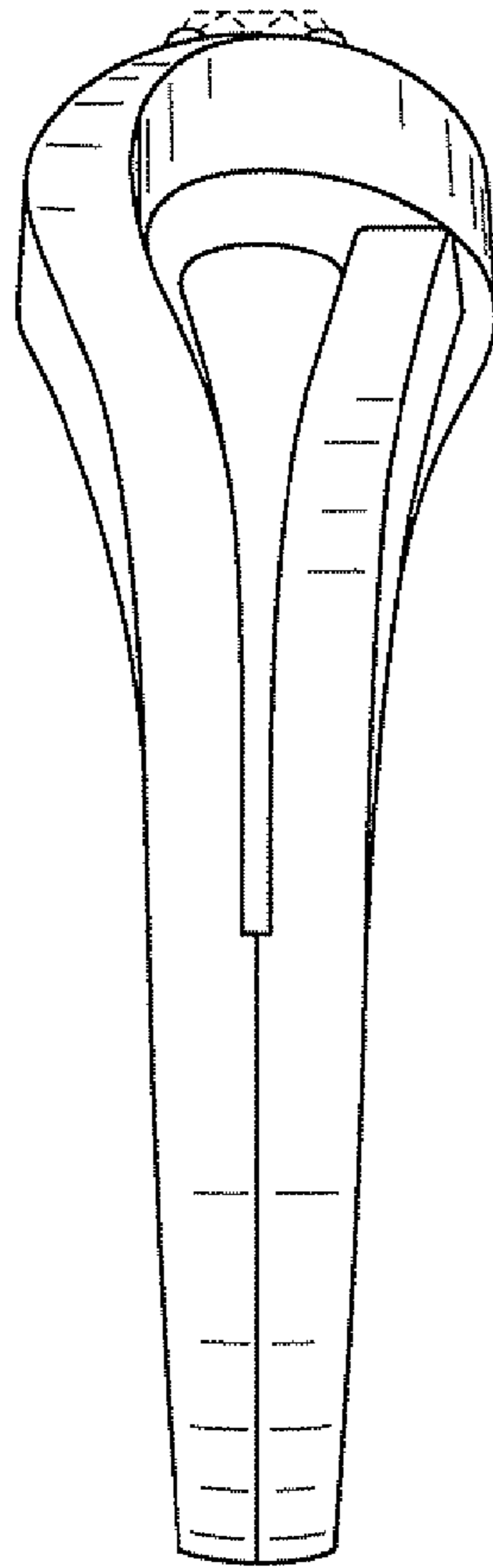


FIG. 3

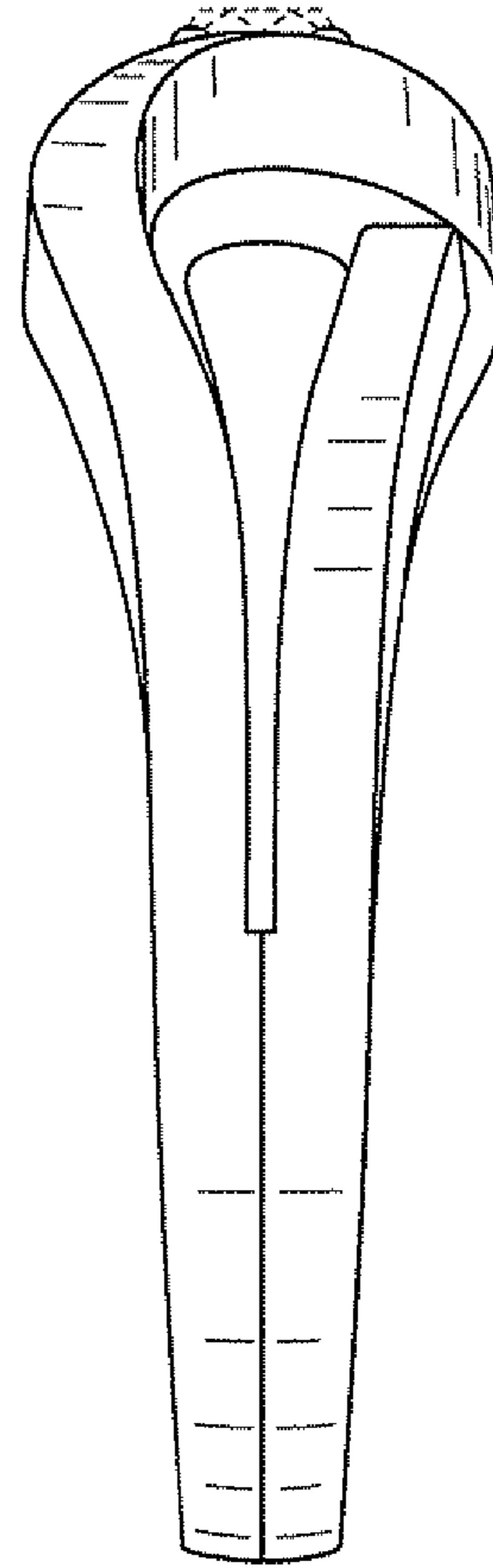


FIG. 4

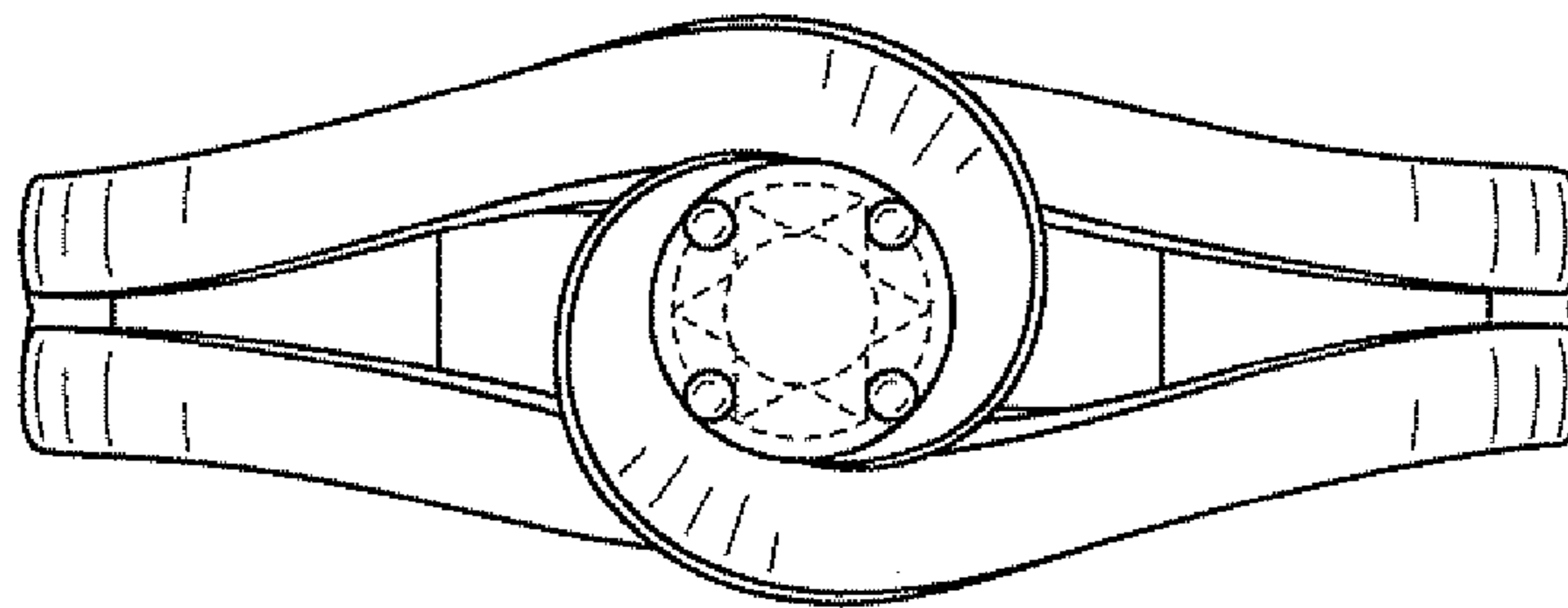


FIG. 5

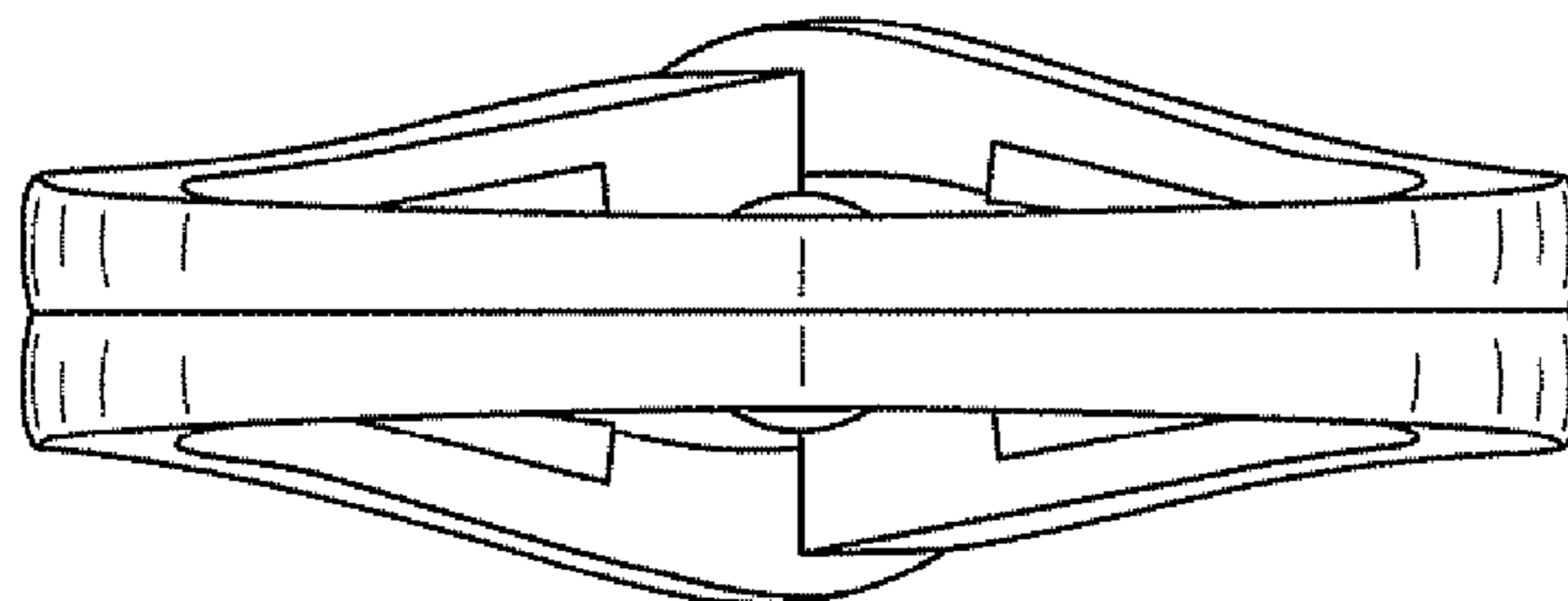


FIG. 6