



US00D604653S

(12) **United States Design Patent**
Kume et al.

(10) **Patent No.:** **US D604,653 S**
(45) **Date of Patent:** **** Nov. 24, 2009**

(54) **PORTION OF A WATCH DIAL**

(75) Inventors: **Katsunori Kume**, Tokyo (JP); **Keizo Kumano**, Chiba (JP)

(73) Assignee: **Seiko Watch Kabushiki Kaisha** (JP)

(**) Term: **14 Years**

(21) Appl. No.: **29/333,274**

(22) Filed: **Mar. 5, 2009**

(30) **Foreign Application Priority Data**

Jan. 8, 2009 (JP) 2009-000285

(51) **LOC (9) Cl.** **10-07**

(52) **U.S. Cl.** **D10/122; D10/123**

(58) **Field of Classification Search** D10/122-132,
D10/30-39; 368/223, 228, 232, 239-242
See application file for complete search history.

(56) **References Cited**

U.S. PATENT DOCUMENTS

- D496,874 S * 10/2004 Nataf D10/126
- D516,932 S * 3/2006 Nataf D10/126
- D517,927 S * 3/2006 Enomoto et al. D10/32
- D524,182 S * 7/2006 Nataf D10/126

D580,809 S * 11/2008 Inoue D10/126

* cited by examiner

Primary Examiner—Lucy Lieberman

(74) *Attorney, Agent, or Firm*—Saidman DesignLaw Group

(57) **CLAIM**

The ornamental design for a portion of a watch dial, as shown and described.

DESCRIPTION

FIG. 1 is a perspective view of a portion of a watch dial;

FIG. 2 is a front view thereof;

FIG. 3 is a sectional view thereof showing the sectioned surface of the portion taken along line 3—3;

FIG. 4 is an enlarged partial view of the solid line portion of FIG. 2;

FIG. 5 is an enlarged sectional view showing the sectioned surface of the portion taken along line 5—5 in FIG. 4; and,

FIG. 6 is an enlarged partial view taken at the portion 6 of FIG. 1.

The broken lines showing on the drawing disclosure are for illustrative purposes only and form no part of the claimed design.

1 Claim, 3 Drawing Sheets

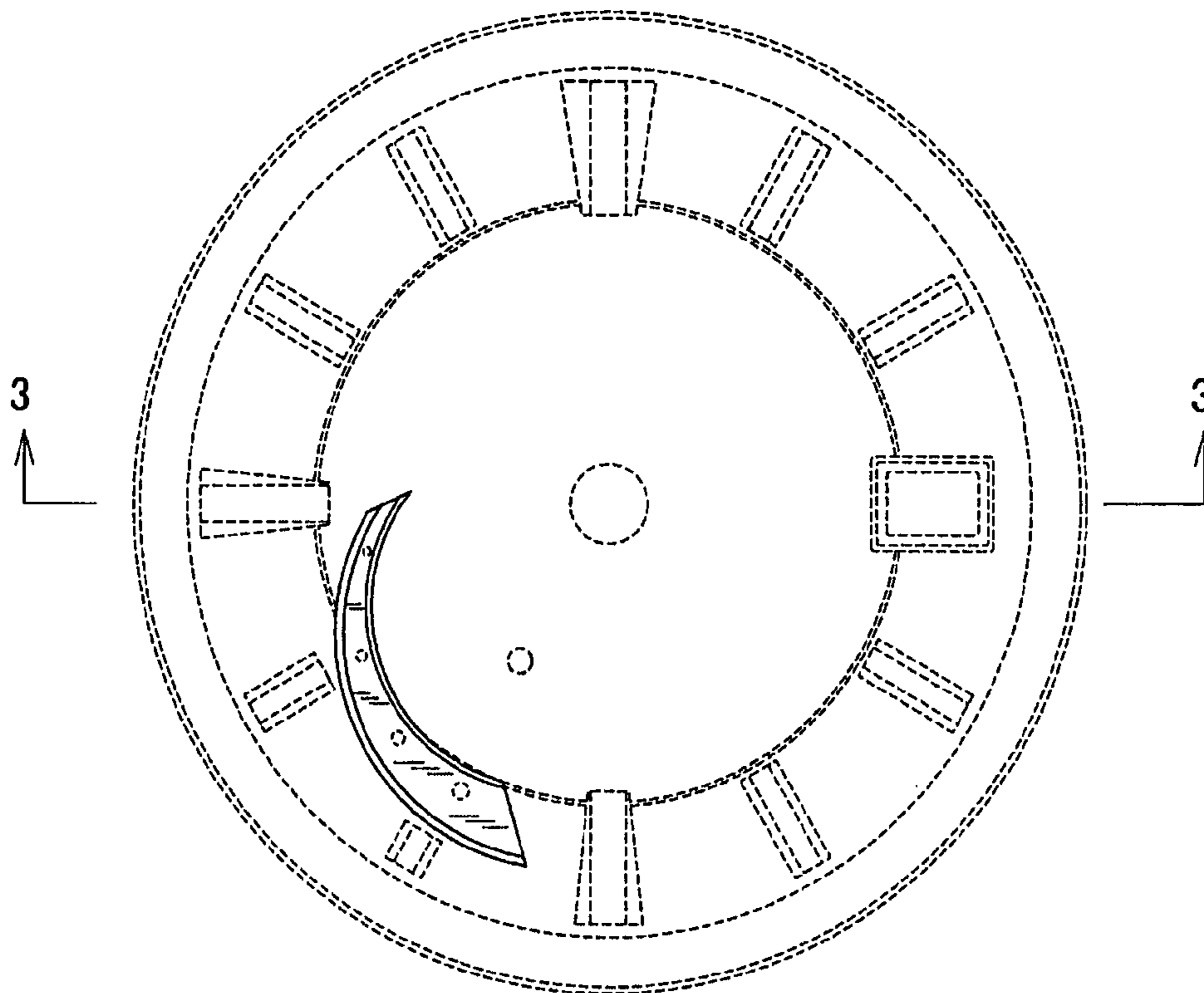


Fig.1

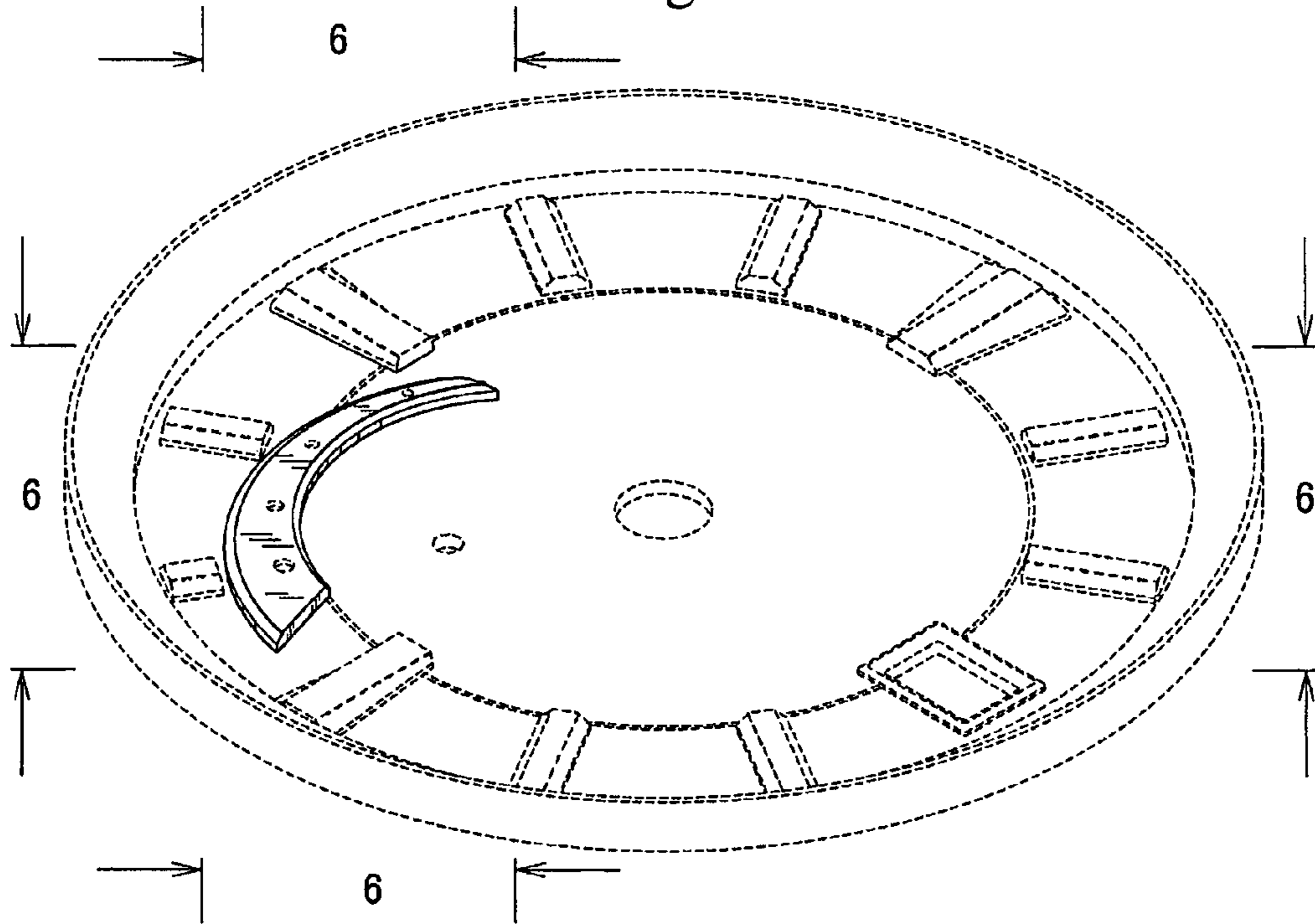


Fig.2

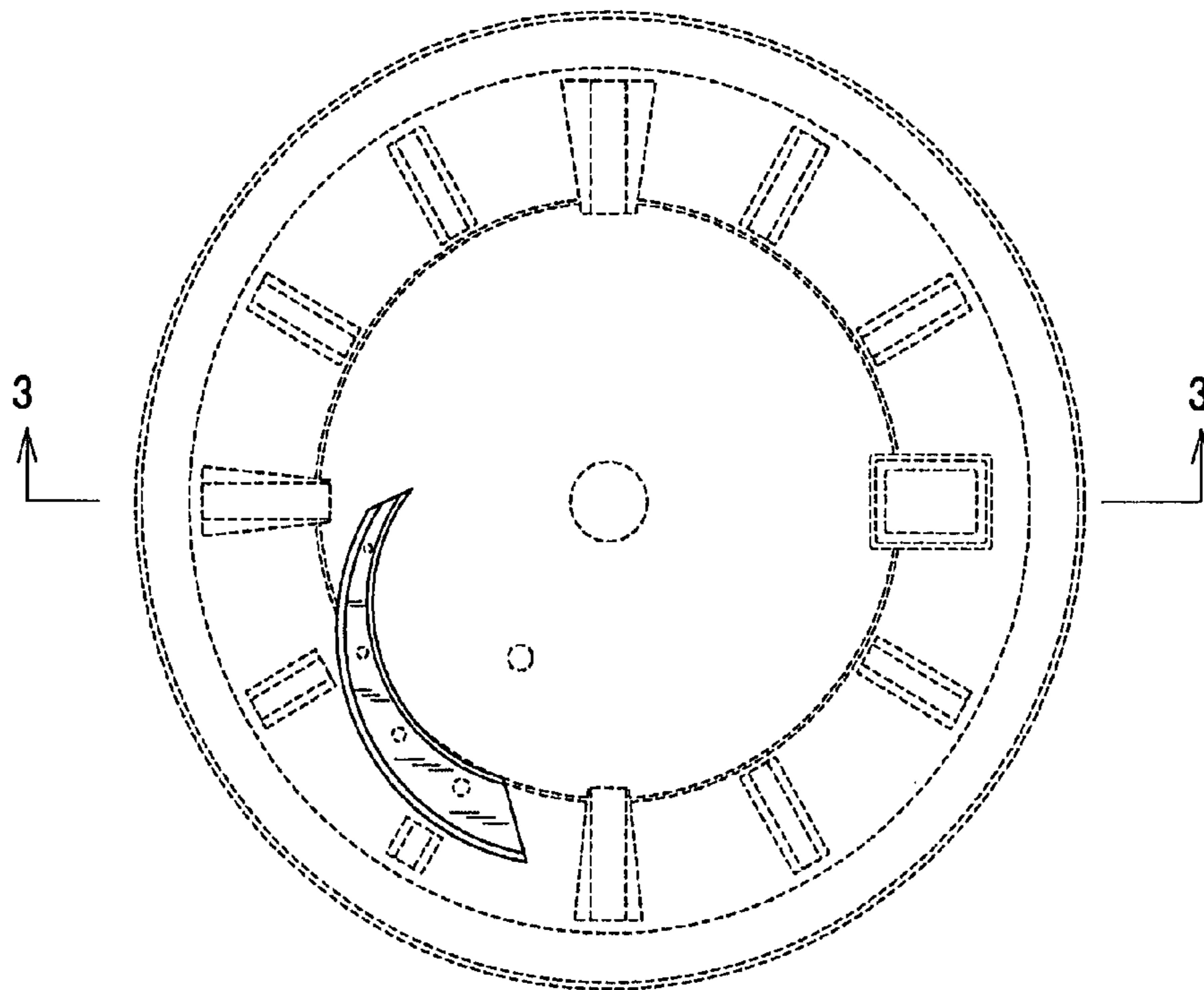


Fig.3

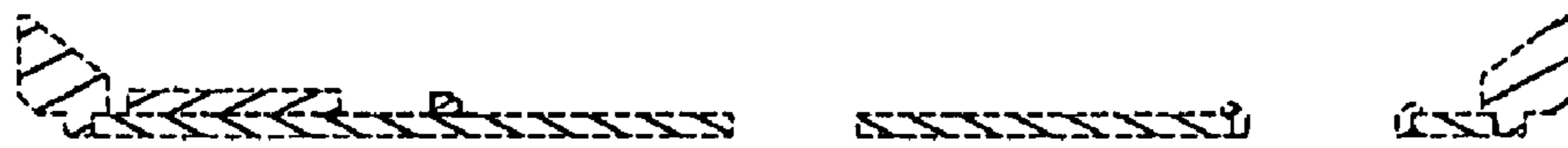


Fig.4

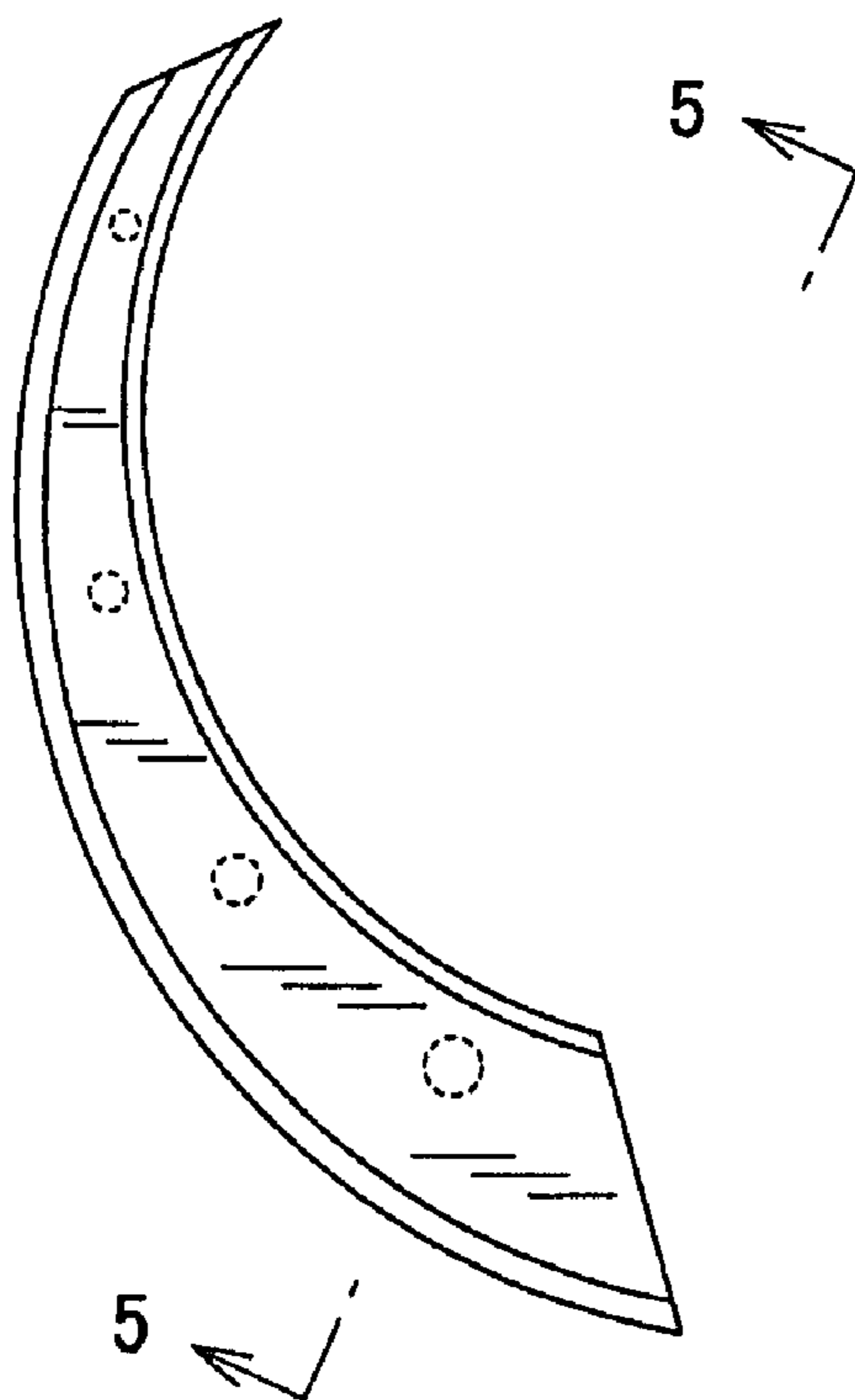


Fig.5

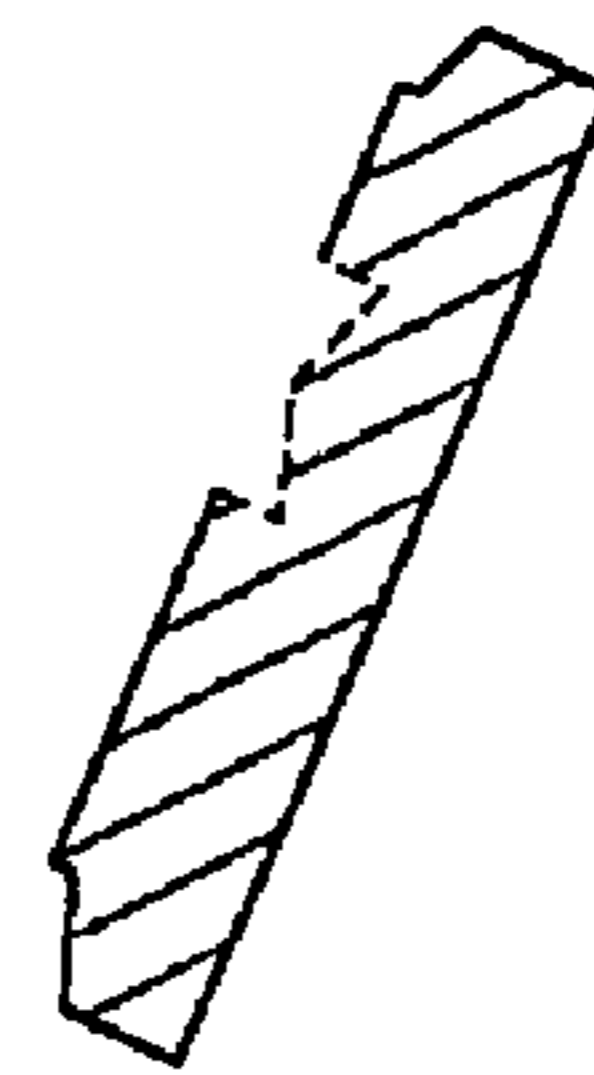


Fig.6

