



US00D604652S

(12) **United States Design Patent**
Schoettle

(10) **Patent No.:** **US D604,652 S**

(45) **Date of Patent:** **** Nov. 24, 2009**

(54) **SIGNAL DEVICE**

D584,181 S * 1/2009 Poon D10/114

(75) Inventor: **Timo Schoettle**, Renquishausen (DE)

* cited by examiner

(73) Assignee: **WERMA Signaltechnik GmbH + Co. KG**, Rietheim-Weilheim (DE)

Primary Examiner—Caron Veynar

Assistant Examiner—George D Kirschbaum

(74) *Attorney, Agent, or Firm*—Breneman & Georges

(**) Term: **14 Years**

(57) **CLAIM**

(21) Appl. No.: **29/309,801**

The ornamental design for a signal device, as shown and described.

(22) Filed: **Oct. 16, 2008**

DESCRIPTION

(30) **Foreign Application Priority Data**

Apr. 17, 2008 (DE) 40 2008 001 918

FIG. 1 is a perspective view of a signal device showing my new design;

FIG. 2 is a front elevational view thereof;

FIG. 3 is a rear elevational view thereof;

(51) **LOC (9) Cl.** **10-05**

(52) **U.S. Cl.** **D10/111; D10/114**

(58) **Field of Classification Search** D10/114,
D10/109, 111; D34/25; D22/148; D26/49,
D26/37, 110, 24, 27, 93, 104; D24/110;
340/908, 309.8, 309.16, 321; 116/63 P, 63 R;
362/205, 184, 253; 390/321, 690
See application file for complete search history.

FIG. 4 is a right side elevational view with the left side being a mirror image thereof;

FIG. 5 is a top plan view thereof;

FIG. 6 is a bottom plan view thereof;

FIG. 7 is a front elevational view of the signal device; and,

FIG. 8 is another front elevational view thereof.

(56) **References Cited**

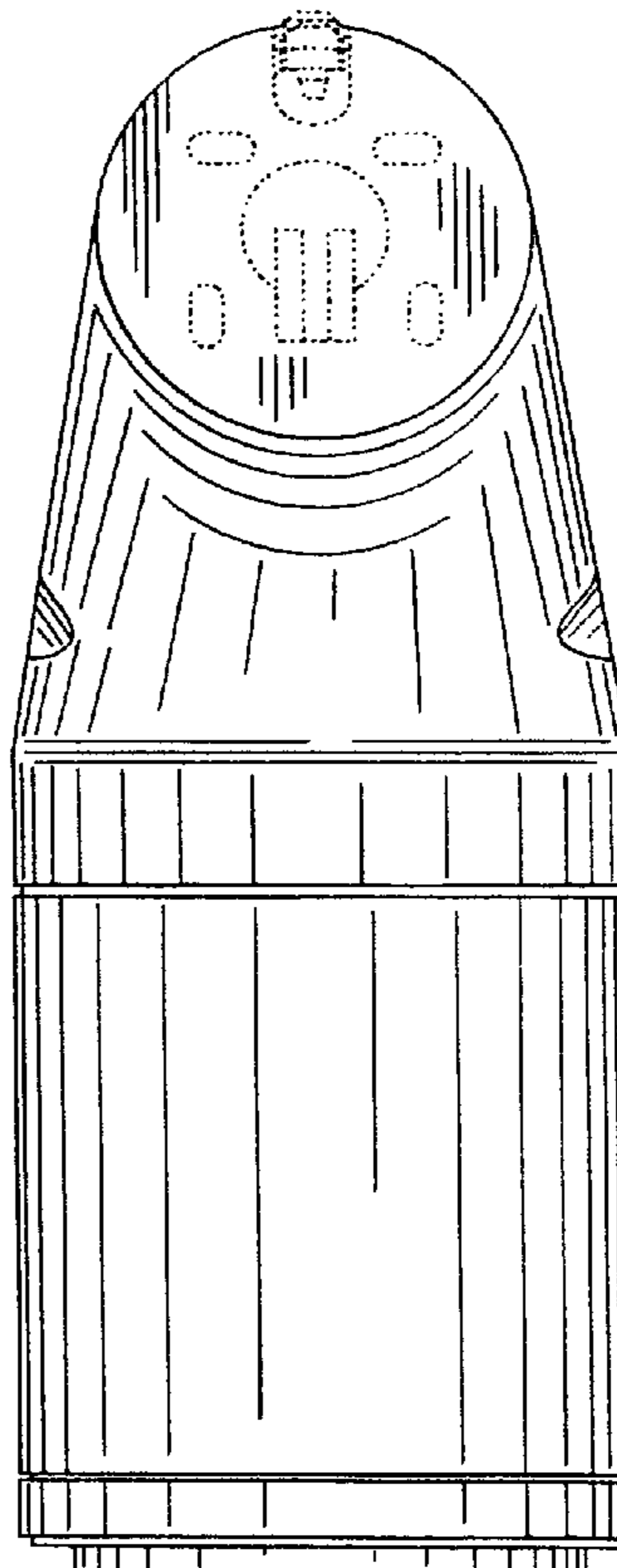
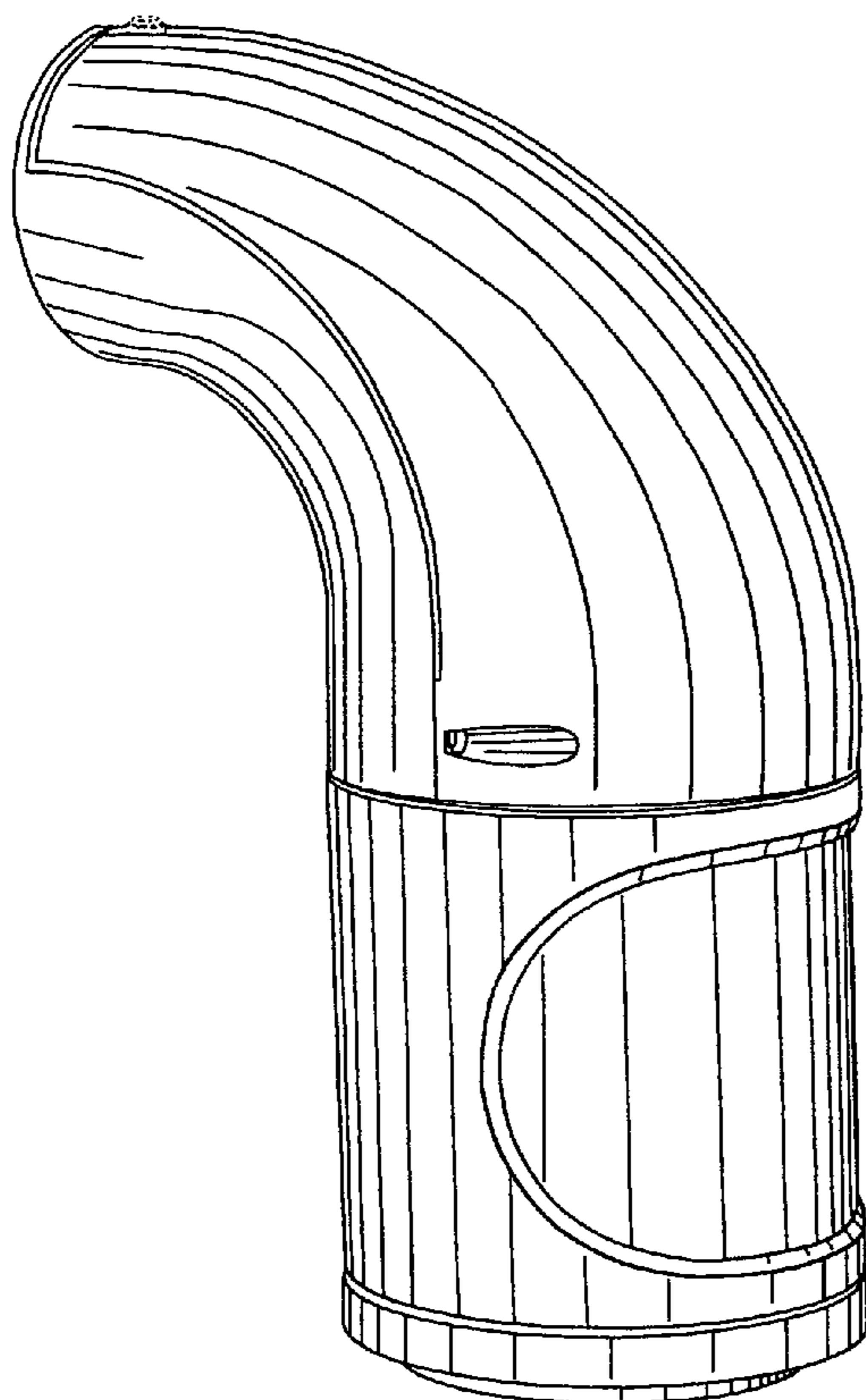
U.S. PATENT DOCUMENTS

4,716,402 A * 12/1987 Francis 340/546

D443,085 S * 5/2001 Dalton et al. D26/37

In the drawings, the broken line showing of a lamp segment depicts environmental subject matter and forms no part of the claim.

1 Claim, 5 Drawing Sheets



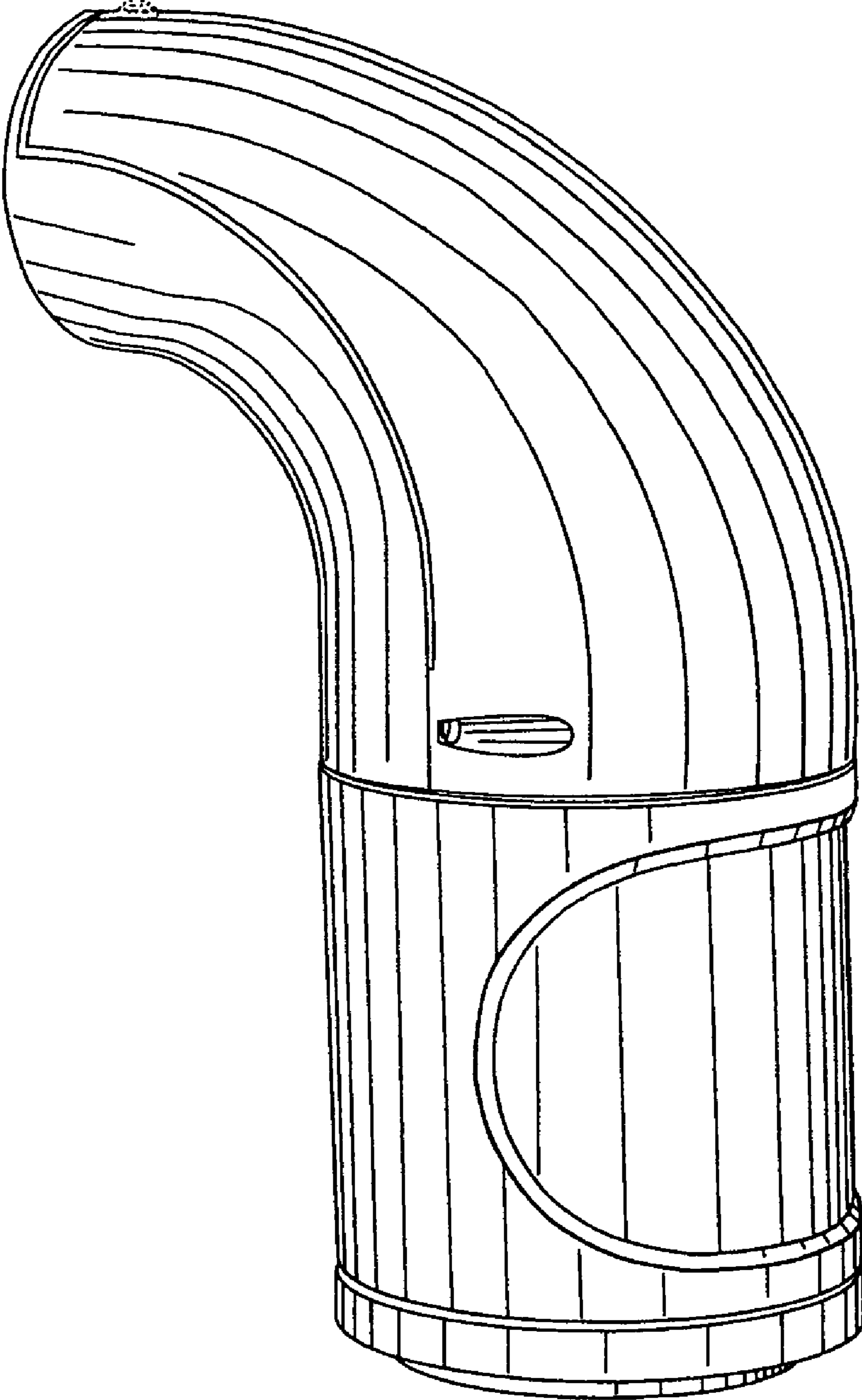


FIG. 1

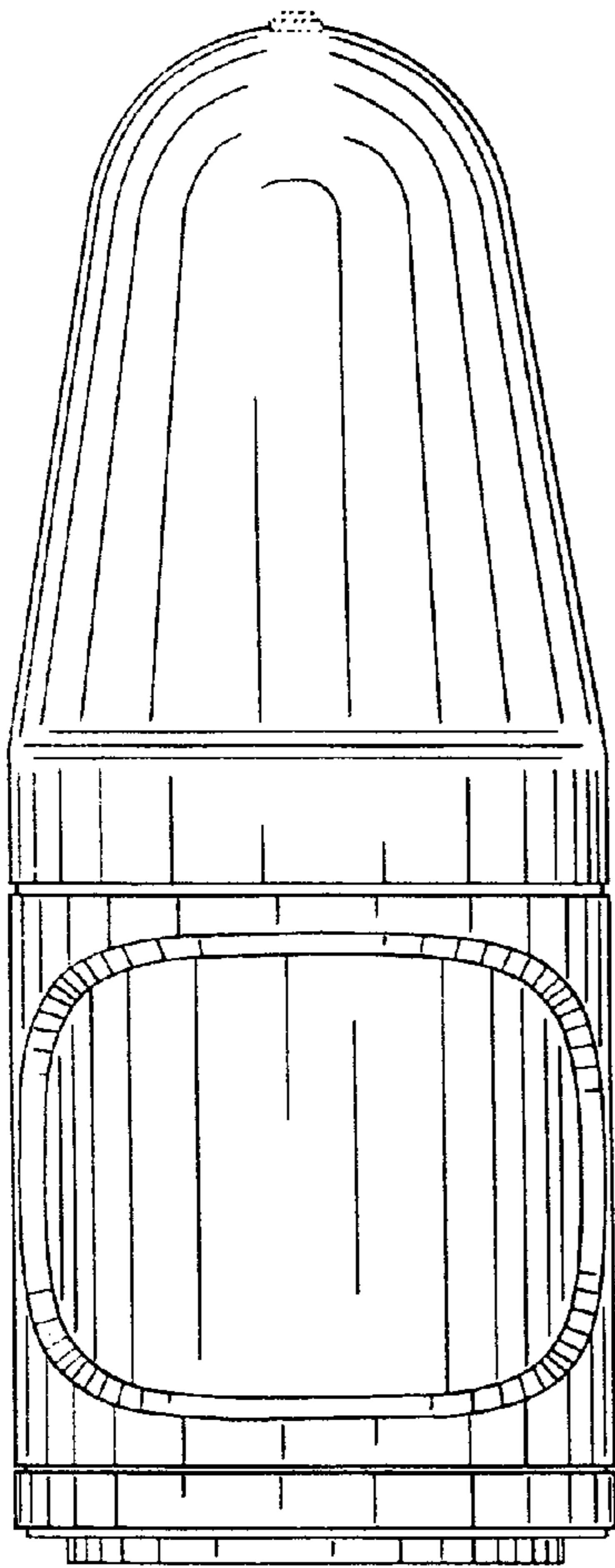


FIG. 2

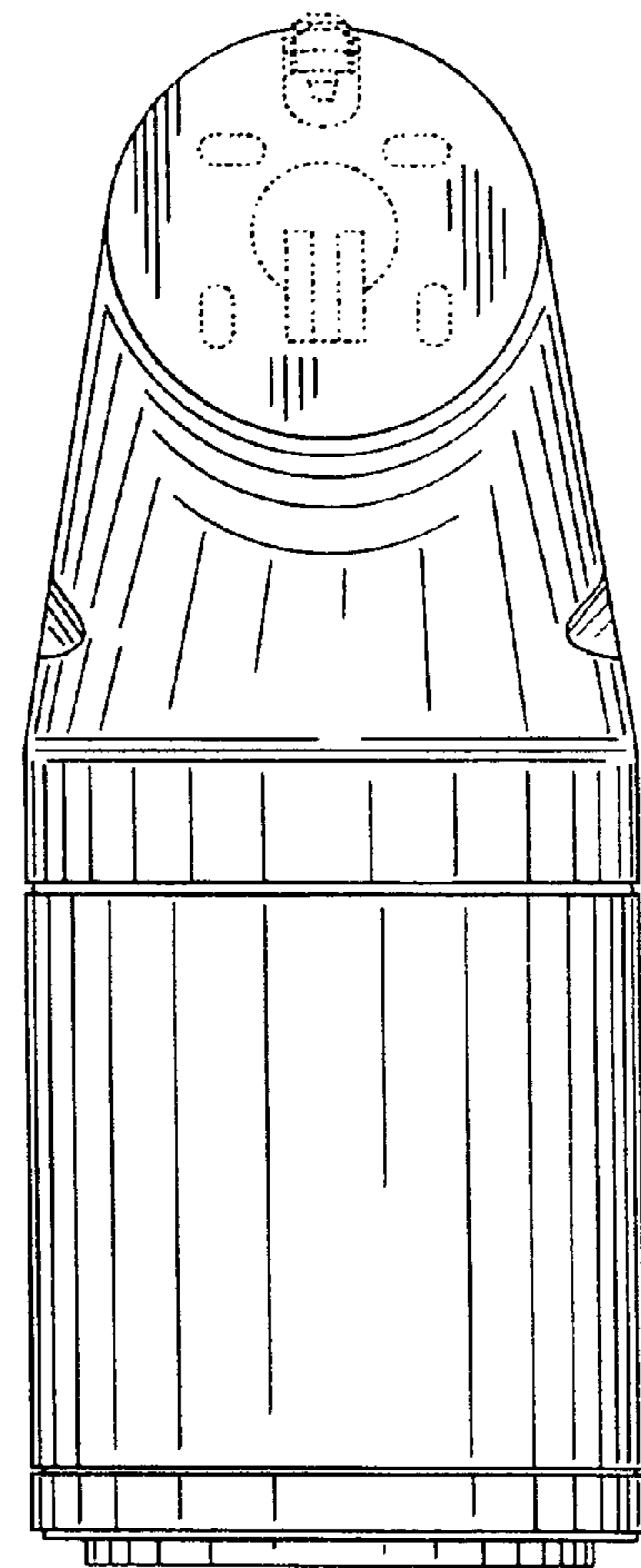


FIG. 3

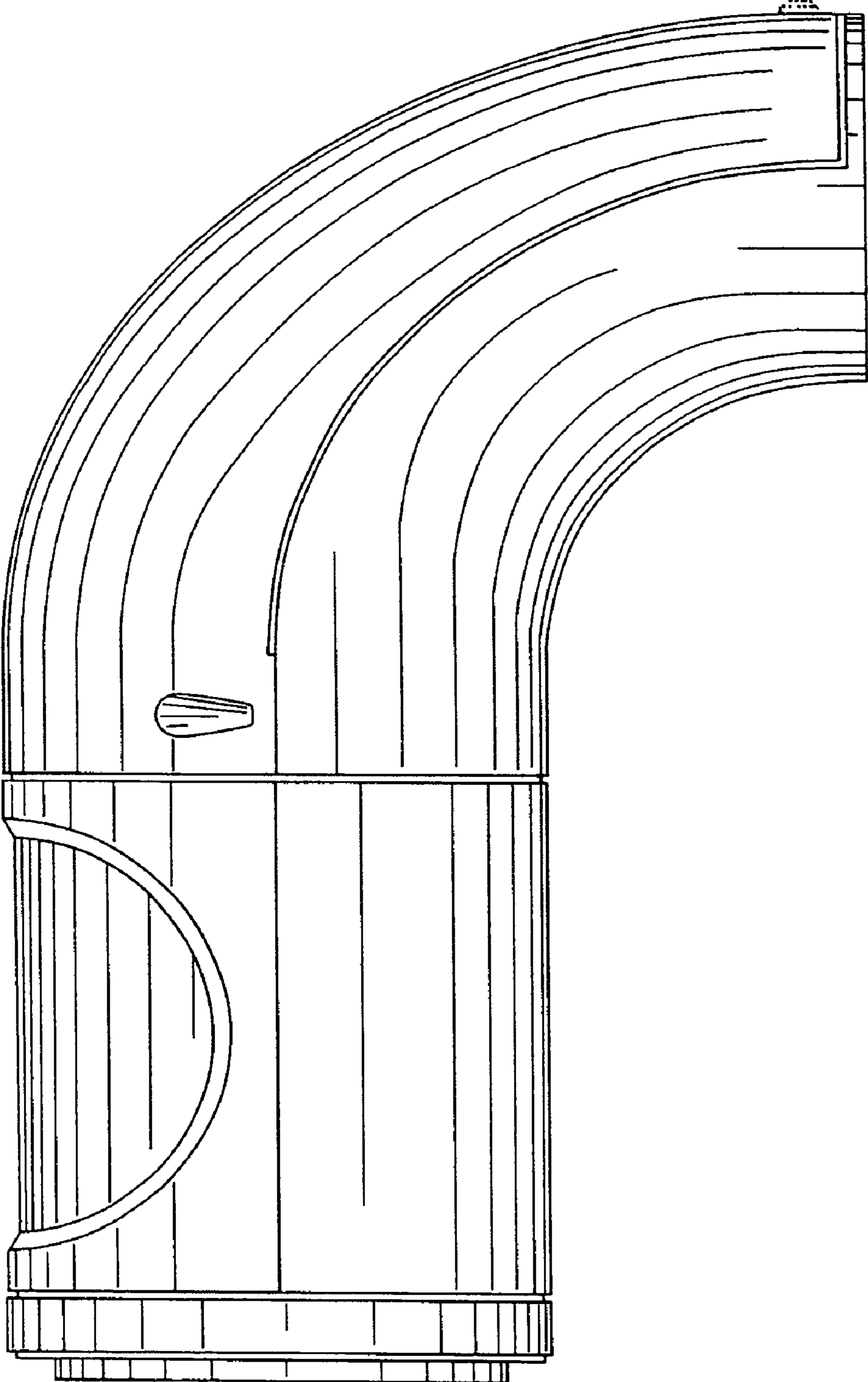


FIG. 4

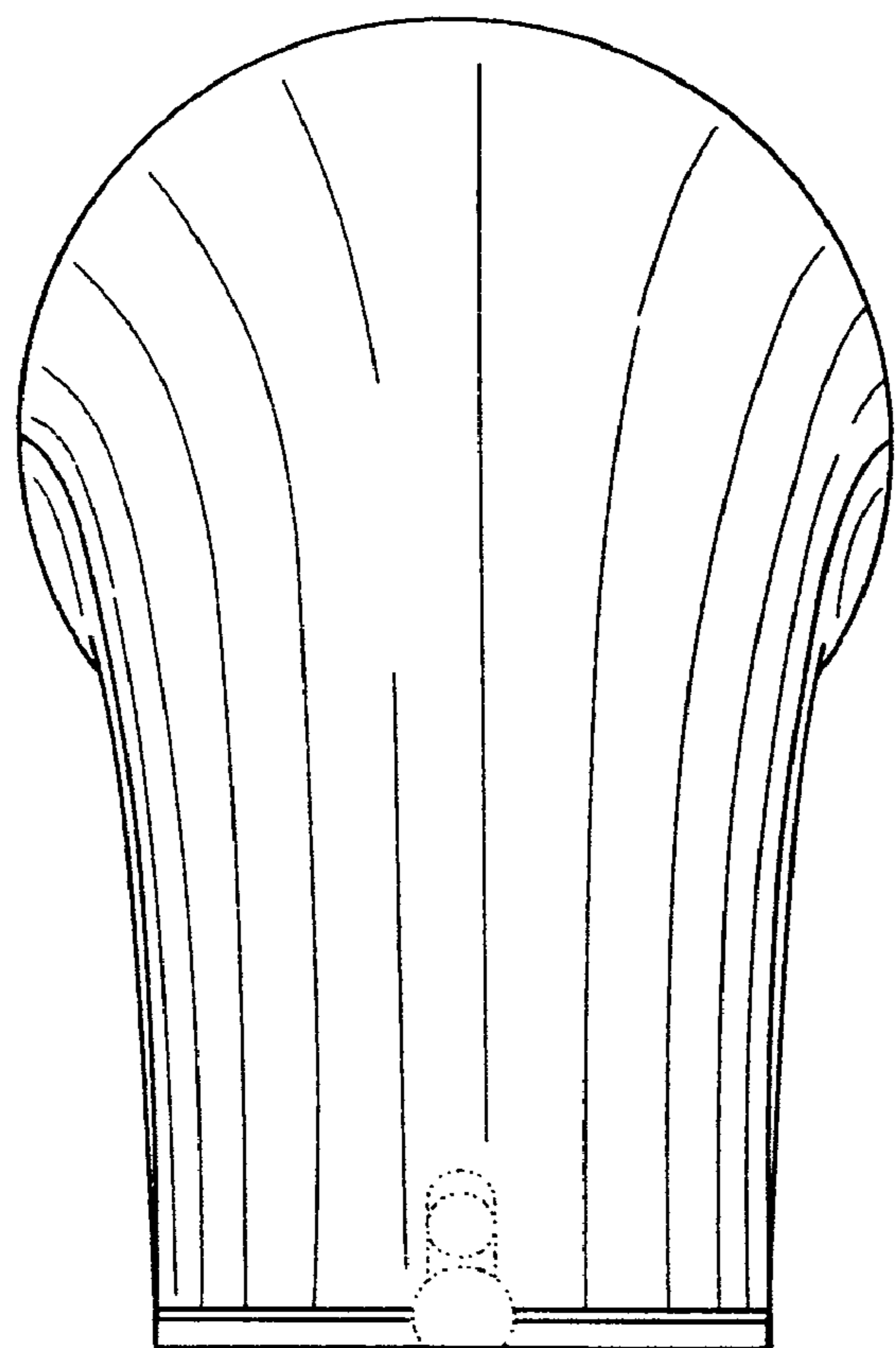


FIG. 5

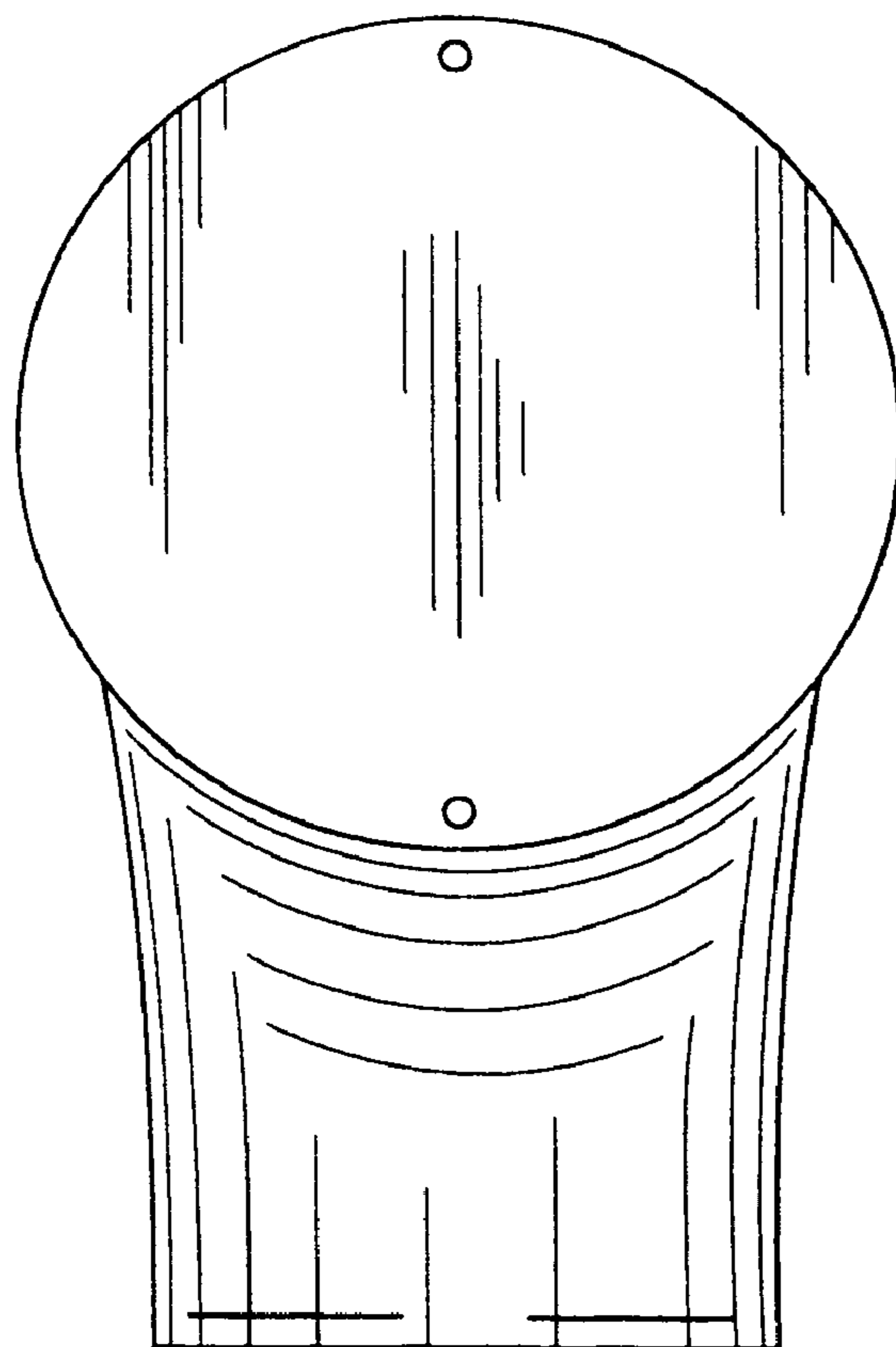


FIG. 6

FIG. 7

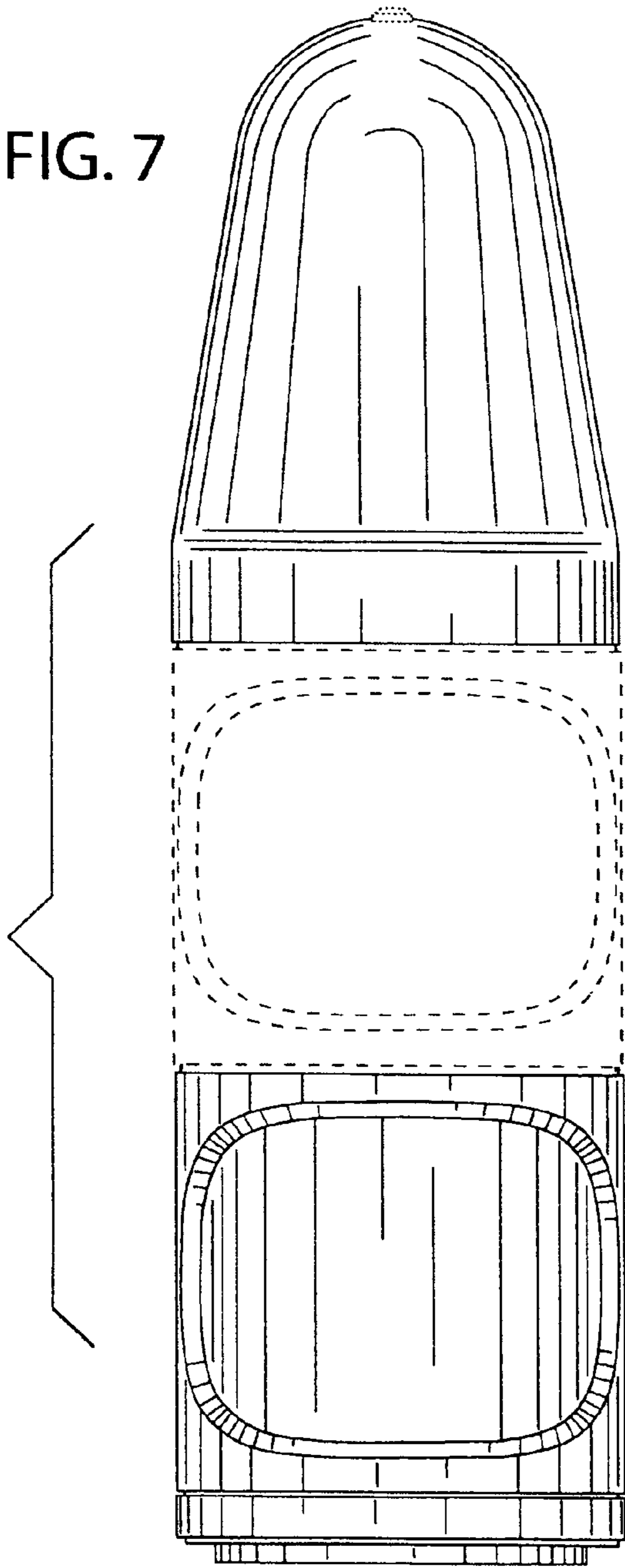


FIG. 8

