



US00D604646S

(12) **United States Design Patent**  
**Belamich**

(10) **Patent No.:** **US D604,646 S**

(45) **Date of Patent:** **\*\* Nov. 24, 2009**

(54) **WATCH**

(75) **Inventor:** **Bruno Belamich, Paris (FR)**

(73) **Assignee:** **Bell & Ross B.V., Zoetermeer (NL)**

(\*\*) **Term:** **14 Years**

(21) **Appl. No.:** **29/339,355**

(22) **Filed:** **Jun. 29, 2009**

(30) **Foreign Application Priority Data**

Mar. 11, 2009 (EM) ..... 001103097

(51) **LOC (9) Cl.** ..... **10-02**

(52) **U.S. Cl.** ..... **D10/38**

(58) **Field of Classification Search** ..... D10/30-39,  
D10/122-132; 368/276, 281, 282, 285, 223,  
368/231, 232, 233, 37-40

See application file for complete search history.

(56) **References Cited**

**U.S. PATENT DOCUMENTS**

1,513,526	A *	10/1924	Allenbaugh	.....	368/233
2,051,611	A *	8/1936	Liner	.....	368/77
D178,770	S *	9/1956	Doerwald	.....	D10/39
D178,771	S *	9/1956	Doerwald	.....	D10/39
D202,061	S *	8/1965	Montese-Caruso	.....	D10/38
3,395,531	A *	8/1968	Caprara	.....	368/291
D222,784	S *	12/1971	Kurth	.....	D10/39
4,218,873	A *	8/1980	Lang	.....	368/281
D301,693	S *	6/1989	Canta	.....	D10/39
5,134,595	A *	7/1992	Faber et al.	.....	368/77
D339,990	S *	10/1993	Polenberg	.....	D10/39
D351,799	S *	10/1994	Bulgari	.....	D10/39
D356,267	S *	3/1995	Courteault	.....	D10/38

6,158,884	A *	12/2000	Lebby et al.	.....	368/282
7,120,091	B1 *	10/2006	Lizzi	.....	368/37
D537,371	S *	2/2007	Belamich	.....	D10/39
D577,611	S *	9/2008	Lalo	.....	D10/32
D578,412	S *	10/2008	Belamich	.....	D10/39
D581,814	S *	12/2008	Baer	.....	D10/38
D588,025	S *	3/2009	Belamich	.....	D10/39
7,532,545	B2 *	5/2009	Boileau	.....	368/28
D594,352	S *	6/2009	Belamich	.....	D10/39
D598,304	S *	8/2009	Belamich	.....	D10/39

**OTHER PUBLICATIONS**

Wristwatches, History of a Century's Development, Kahlert, Muhe and Brunner, copyright 1986, Schiffer Publishing, p. 178, watches.\*

\* cited by examiner

*Primary Examiner*—Lucy Lieberman

(74) *Attorney, Agent, or Firm*—Jeffer Mangels Butler & Marmaro LLP

(57) **CLAIM**

The ornamental design for a watch, as shown and described.

**DESCRIPTION**

FIG. 1 is a perspective view of the present invention;

FIG. 2 is a front elevational view thereof;

FIG. 3 is a rear elevational view thereof;

FIG. 4 is a top plan view thereof;

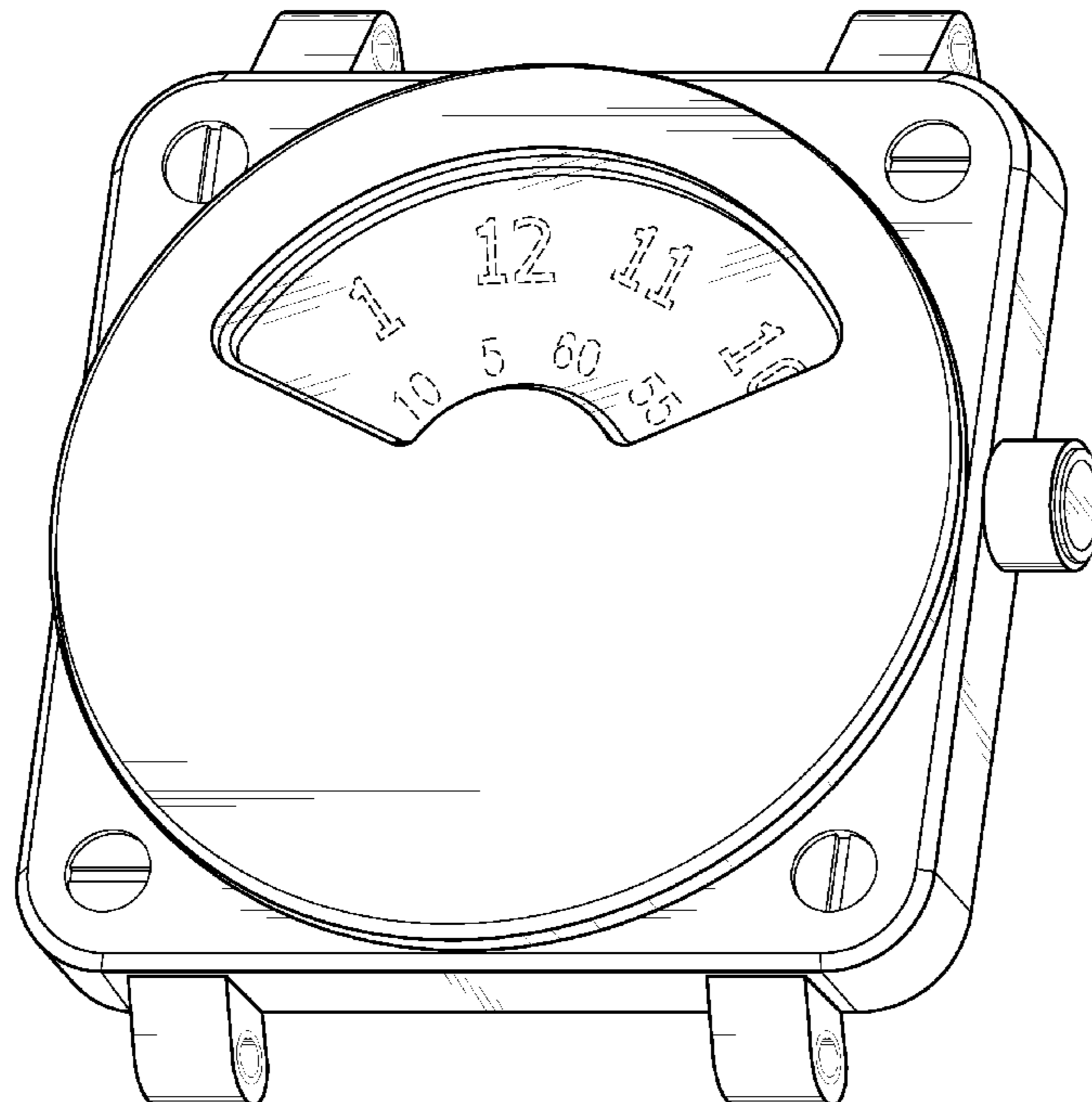
FIG. 5 is a bottom plan view thereof;

FIG. 6 is a left side elevational view thereof; and,

FIG. 7 is a right side elevational view thereof.

The broken lines in FIGS. 1, 2 and 3 are used to show portions of the watch that do not form part of the claimed design.

**1 Claim, 5 Drawing Sheets**



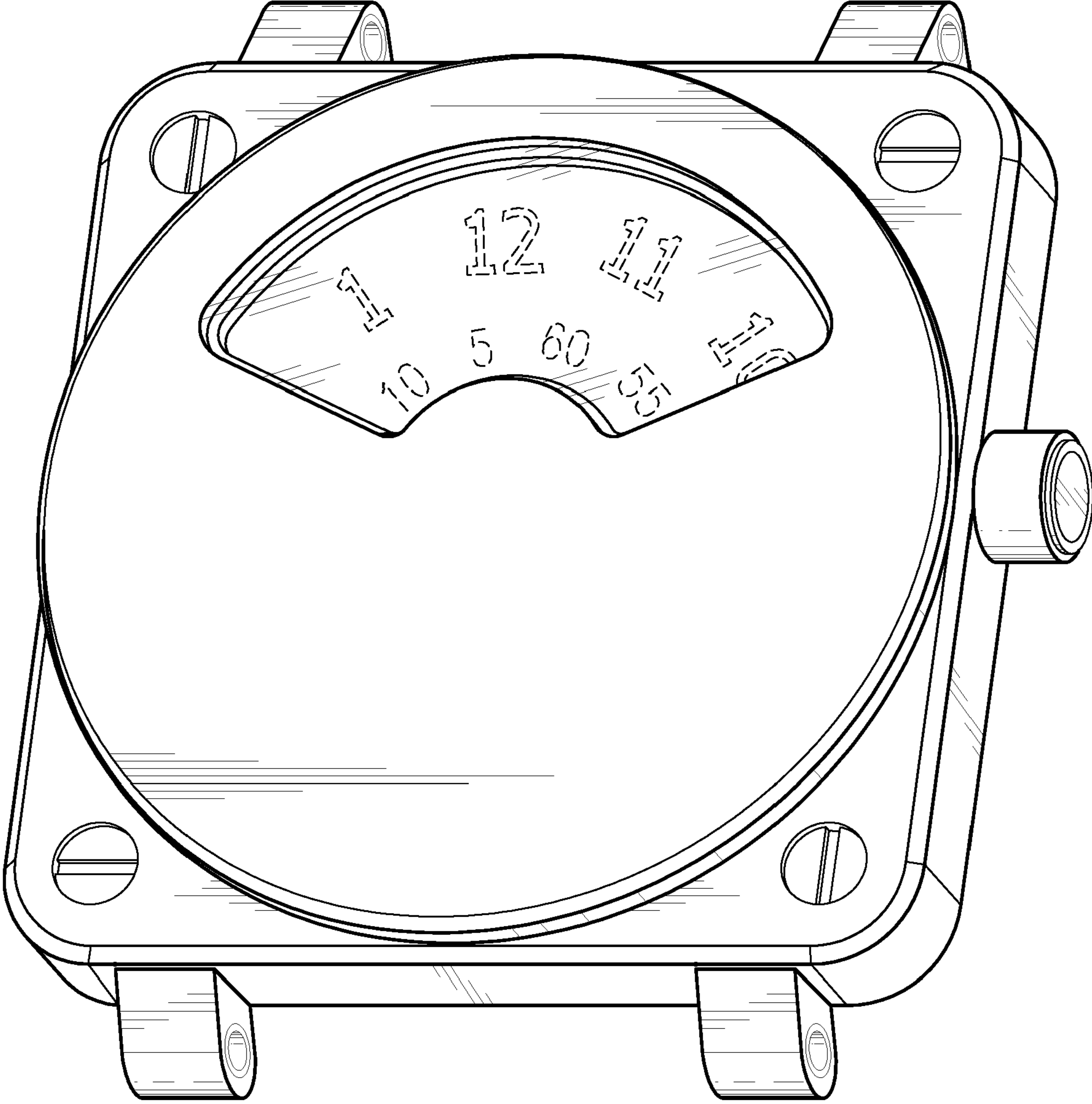


FIG. 1

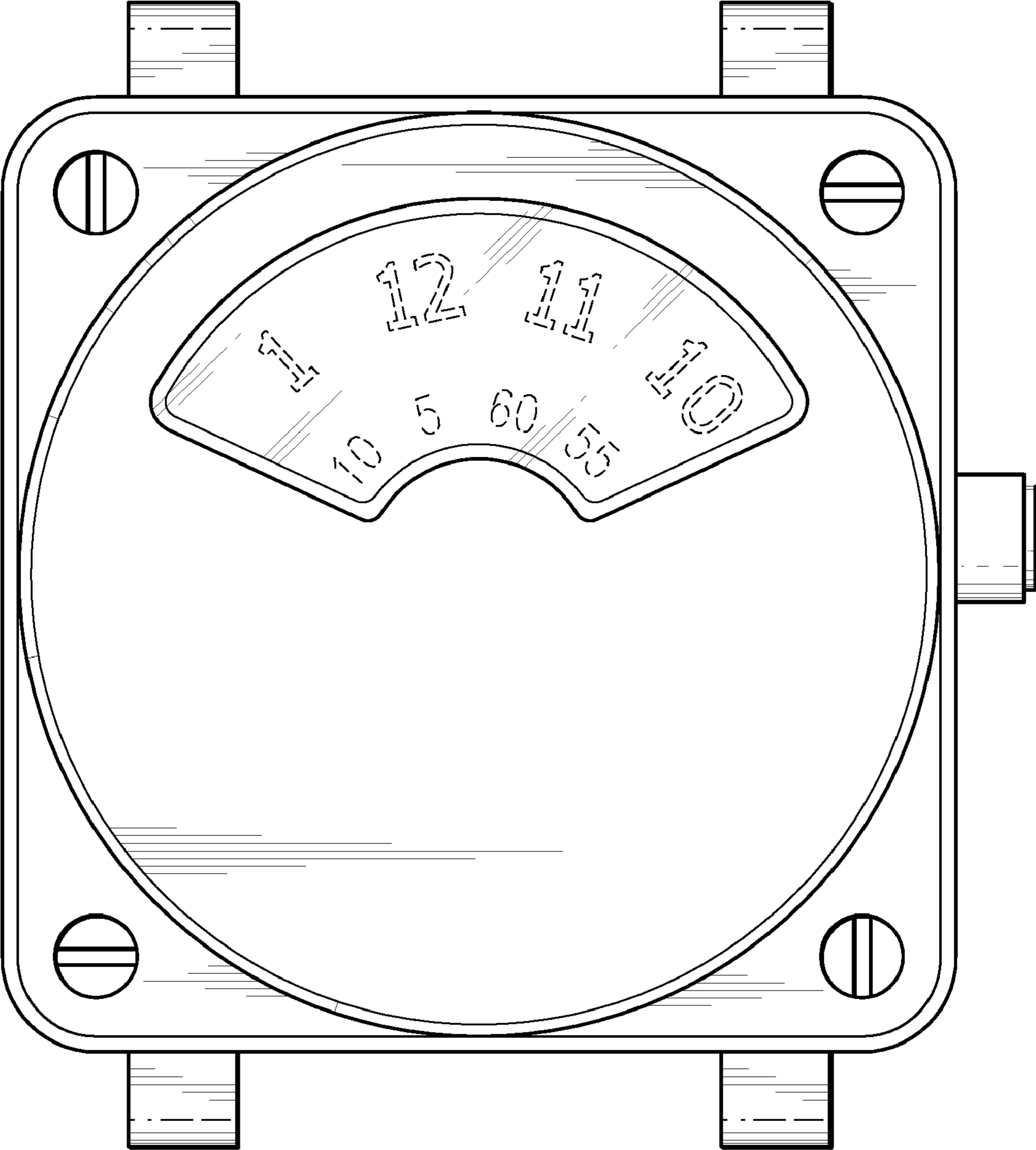


FIG. 2

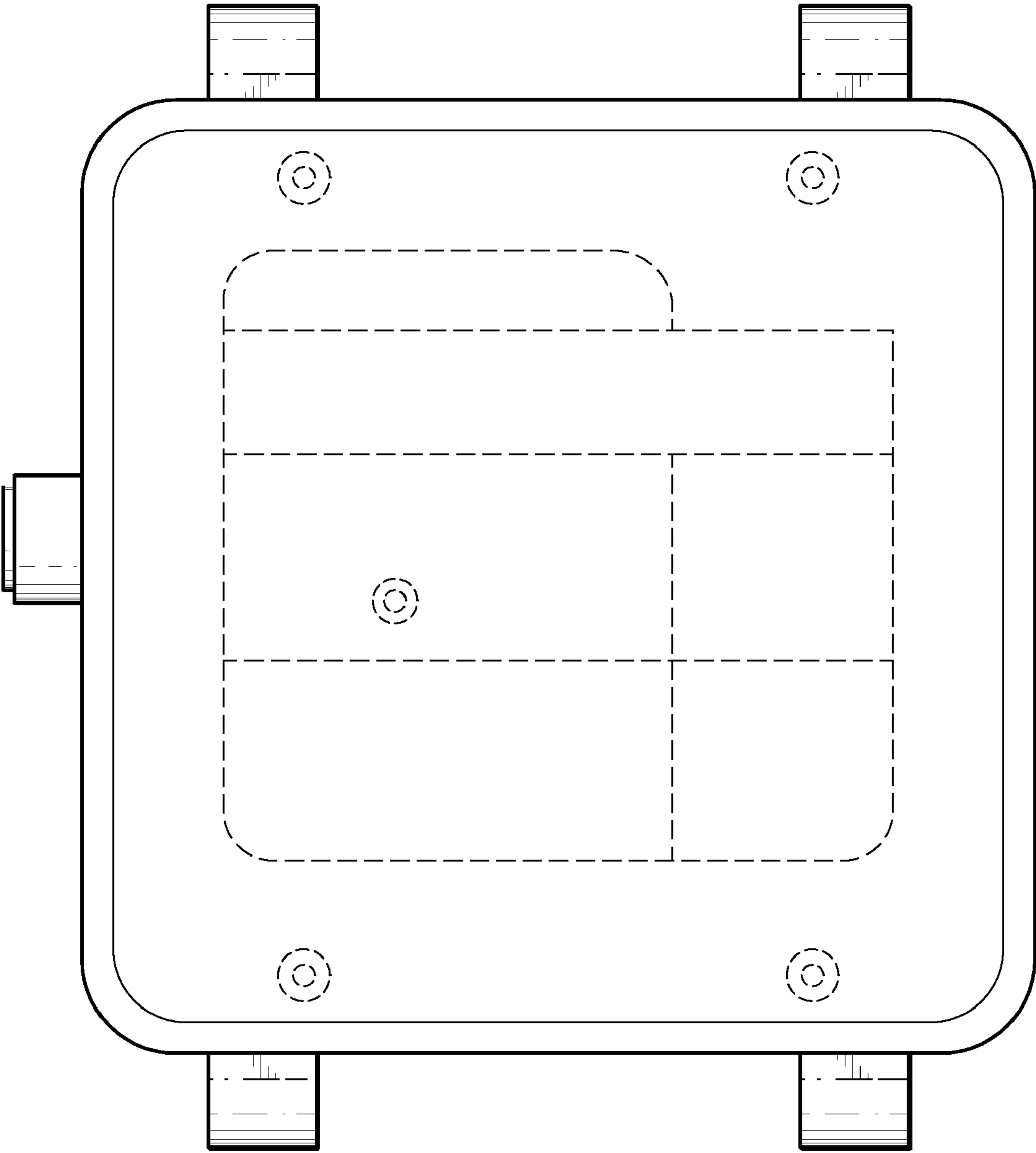
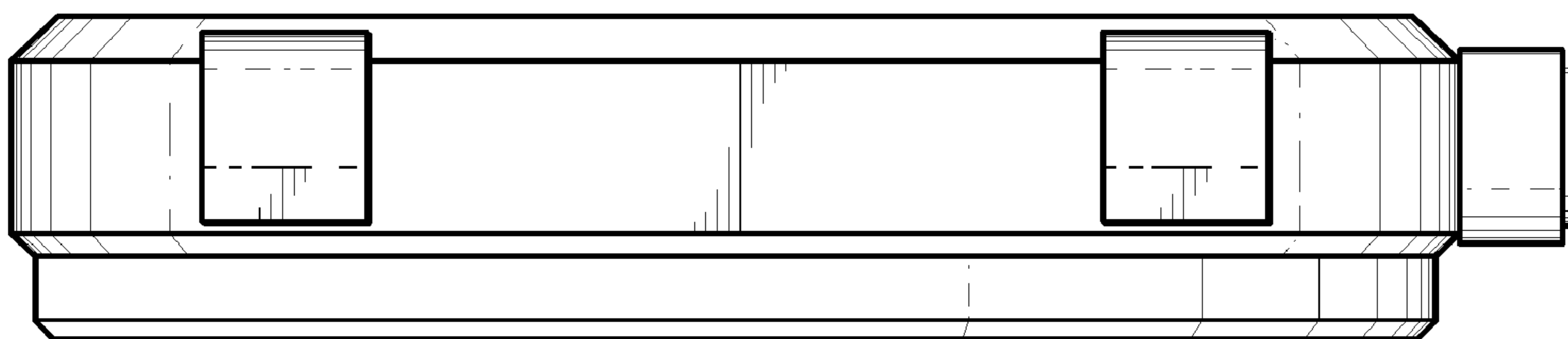
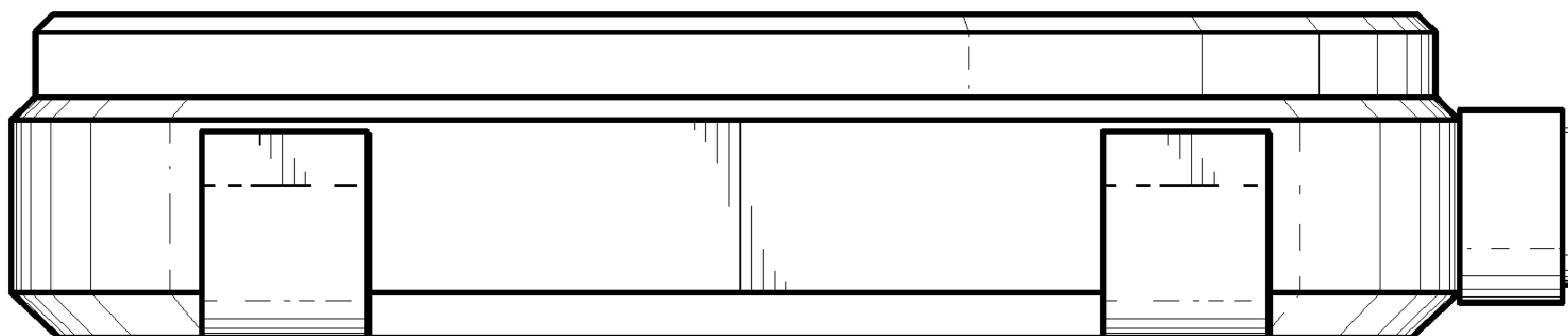


FIG. 3



*FIG. 4*



*FIG. 5*

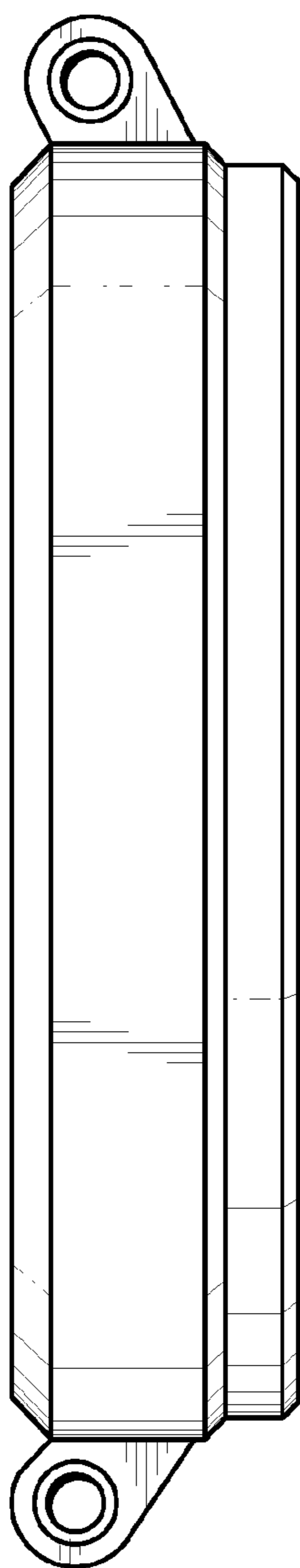


FIG. 6

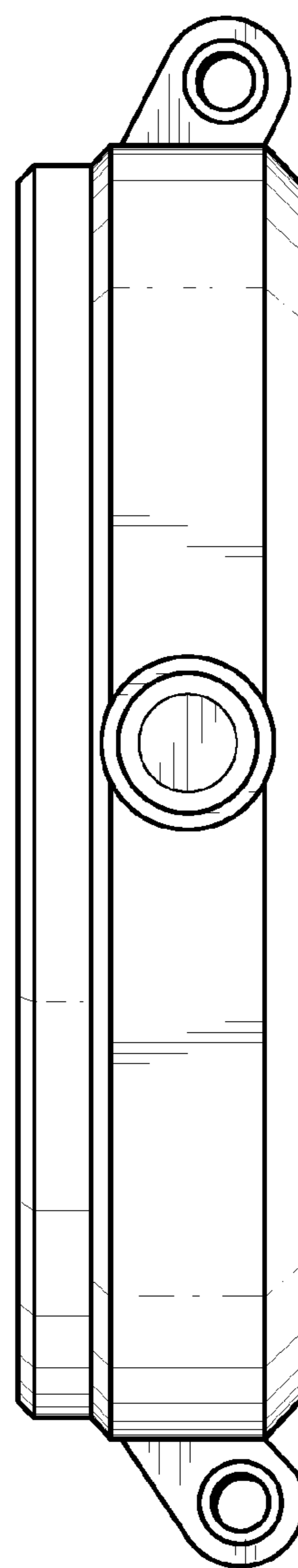


FIG. 7