

US00D604645S

(12) **United States Design Patent**  
**Belamich**

(10) **Patent No.:** **US D604,645 S**  
(45) **Date of Patent:** **\*\* Nov. 24, 2009**

(54) **WATCH**

(75) Inventor: **Bruno Belamich**, Paris (FR)

(73) Assignee: **Bell & Ross B.V.**, Zoetermeer (NL)

(\*\*) Term: **14 Years**

(21) Appl. No.: **29/339,235**

(22) Filed: **Jun. 26, 2009**

(30) **Foreign Application Priority Data**

Feb. 12, 2009 (EM) ..... 001087720

(51) **LOC (9) Cl.** ..... **10-02**

(52) **U.S. Cl.** ..... **D10/35**

(58) **Field of Classification Search** ..... D10/30–39,  
D10/122–132, 8; 368/276, 281, 282, 285,  
368/223, 228, 229, 232  
See application file for complete search history.

(56) **References Cited**

**U.S. PATENT DOCUMENTS**

D78,396	S	*	4/1929	Janssen	.....	D10/124
3,395,531	A	*	8/1968	Caprara	.....	368/291
4,218,873	A	*	8/1980	Lang	.....	368/281
D322,882	S	*	1/1992	Botella	.....	D2/952
D351,799	S	*	10/1994	Bulgari	.....	D10/39
D364,099	S	*	11/1995	Bergeron	.....	D10/33
6,158,884	A	*	12/2000	Lebby et al.	.....	368/282
D473,802	S	*	4/2003	Berliat	.....	D10/39
D500,718	S	*	1/2005	Meza	.....	D12/204
D537,371	S	*	2/2007	Belamich	.....	D10/39
D539,484	S	*	3/2007	Hillman	.....	D29/108

D577,611	S	*	9/2008	Lalo	.....	D10/32
D577,880	S	*	10/2008	White	.....	D2/896
D578,412	S	*	10/2008	Belamich	.....	D10/39
D581,814	S	*	12/2008	Baer	.....	D10/38
D585,770	S	*	2/2009	Belamich	.....	D10/39
D588,025	S	*	3/2009	Belamich	.....	D10/39
D594,352	S	*	6/2009	Belamich	.....	D10/39
D598,304	S	*	8/2009	Belamich	.....	D10/39

\* cited by examiner

*Primary Examiner*—Lucy Lieberman

(74) *Attorney, Agent, or Firm*—Jeffer Mangels Butler & Marmaro LLP

(57) **CLAIM**

The ornamental design for a watch, as shown and described.

**DESCRIPTION**

FIG. 1 is a perspective view of the present invention;

FIG. 2 is a front elevational view thereof;

FIG. 3 is a rear elevational view thereof;

FIG. 4 is a top plan view thereof;

FIG. 5 is a bottom plan view thereof;

FIG. 6 is a left side view thereof;

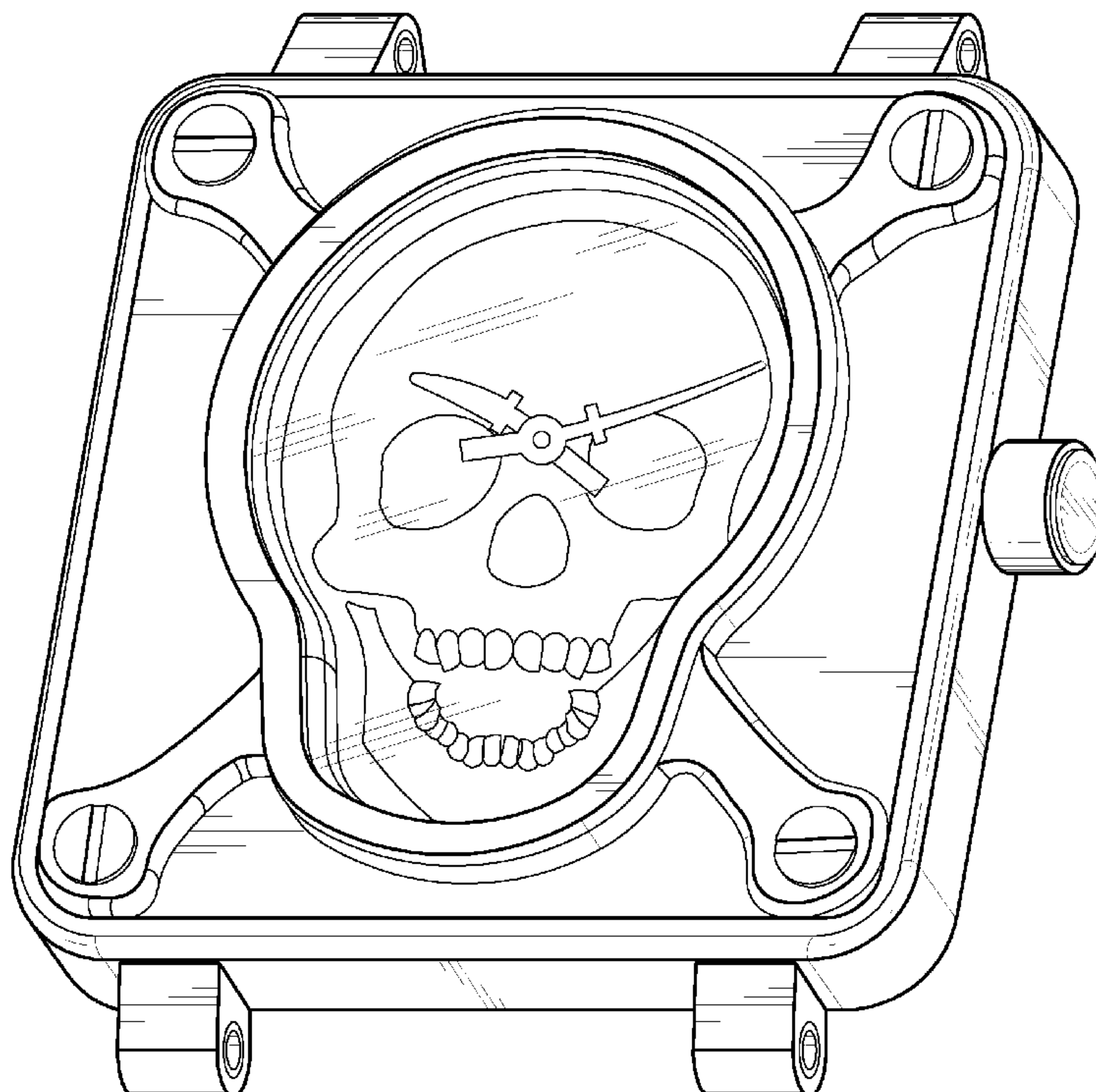
FIG. 7 is a right side view thereof;

FIG. 8 is a rear perspective view thereof; and,

FIG. 9 is a cross-section view taken along 9—9 in FIG. 1.

The broken lines in FIGS. 3 and 8 are used to show portions of the watch that do not form part of the claimed design.

**1 Claim, 7 Drawing Sheets**



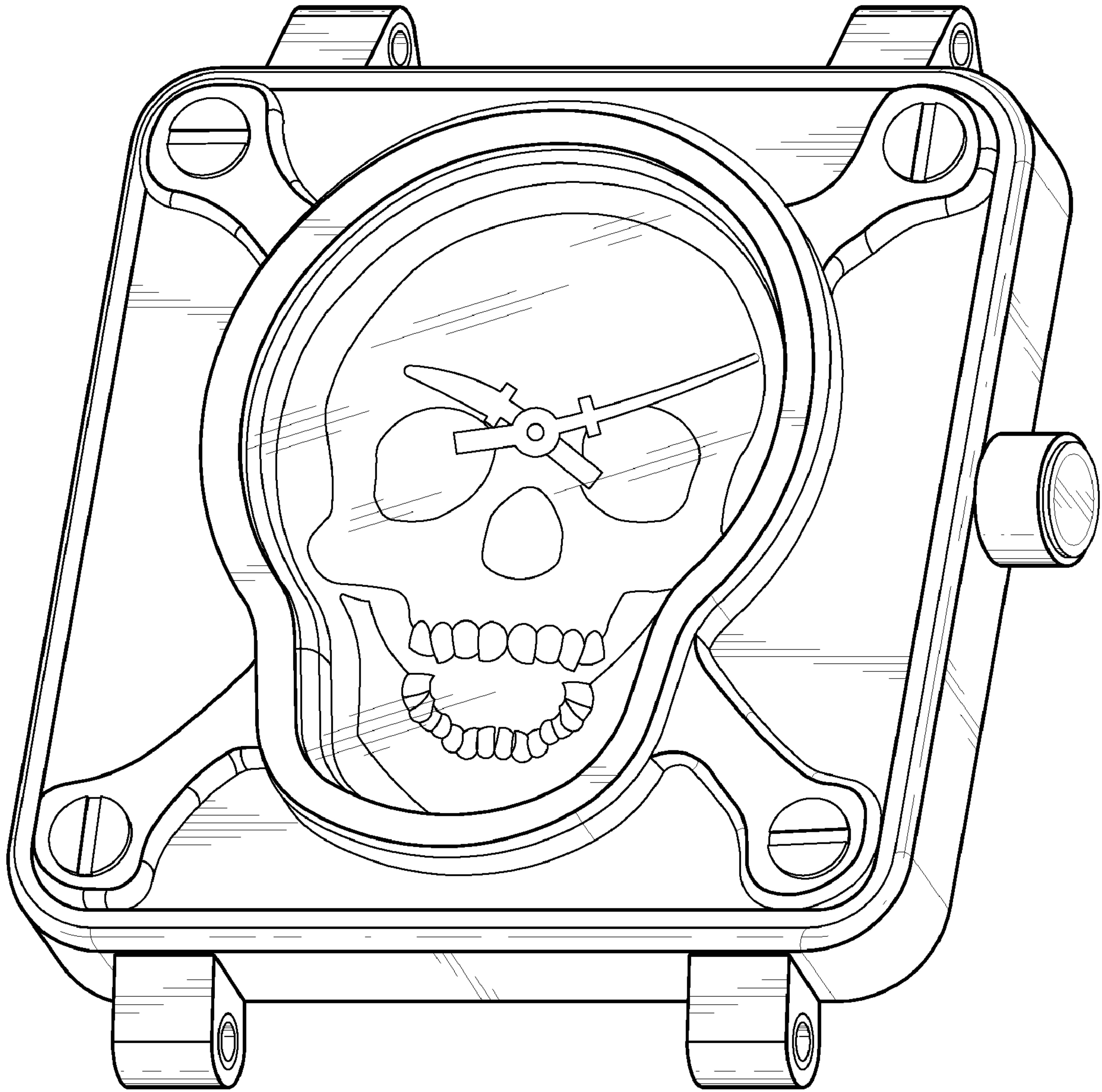


FIG. 1

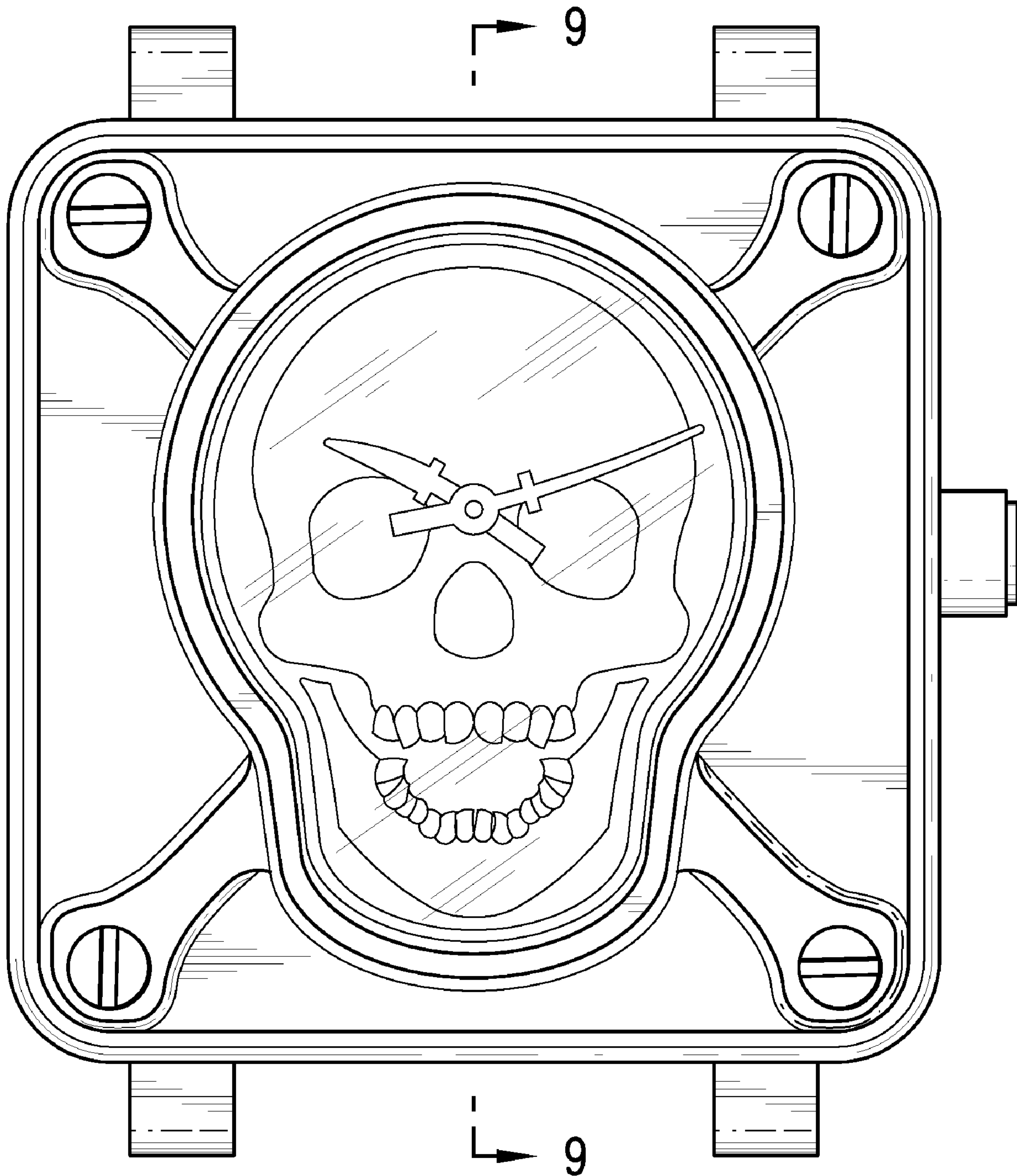


FIG. 2

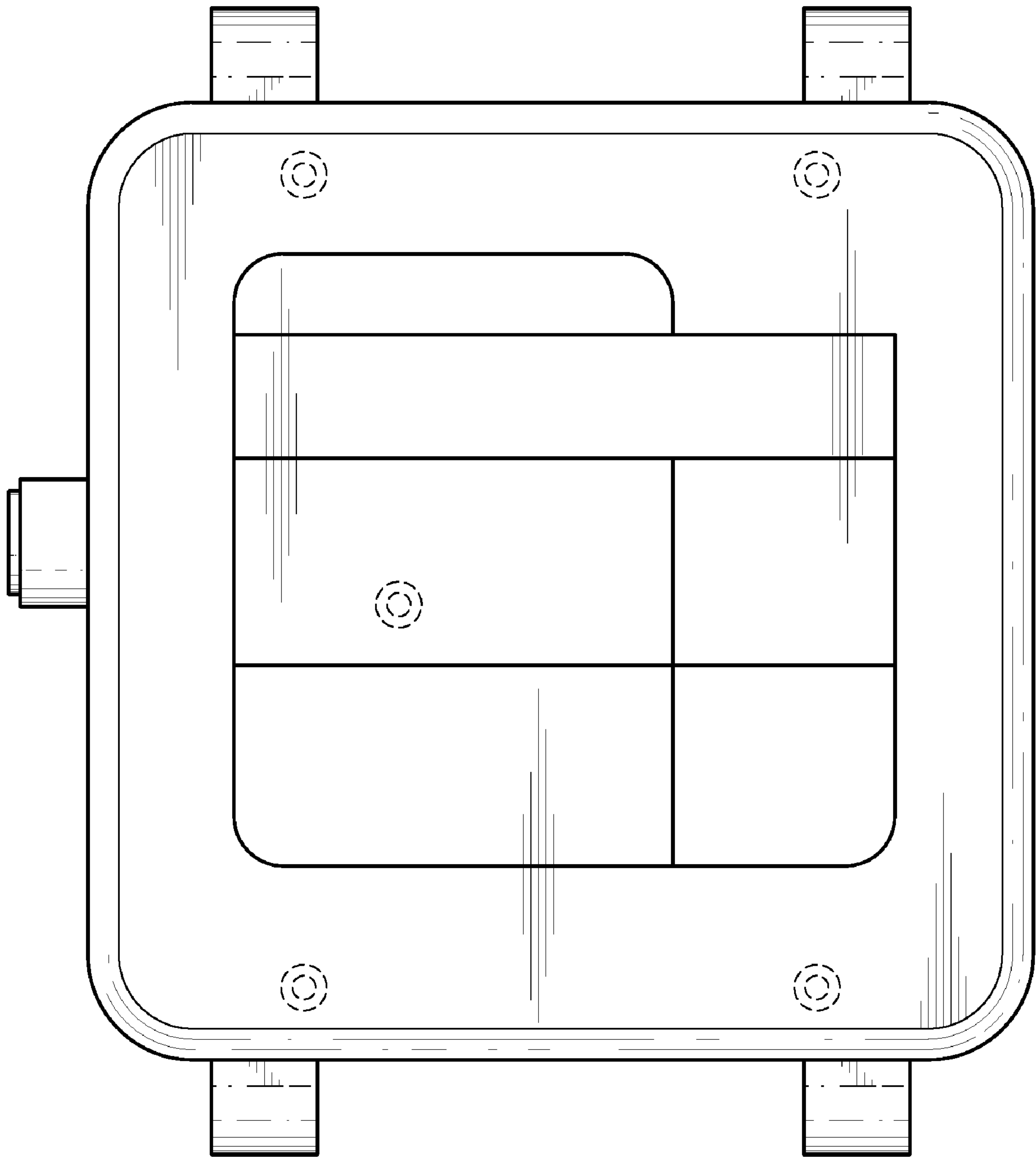
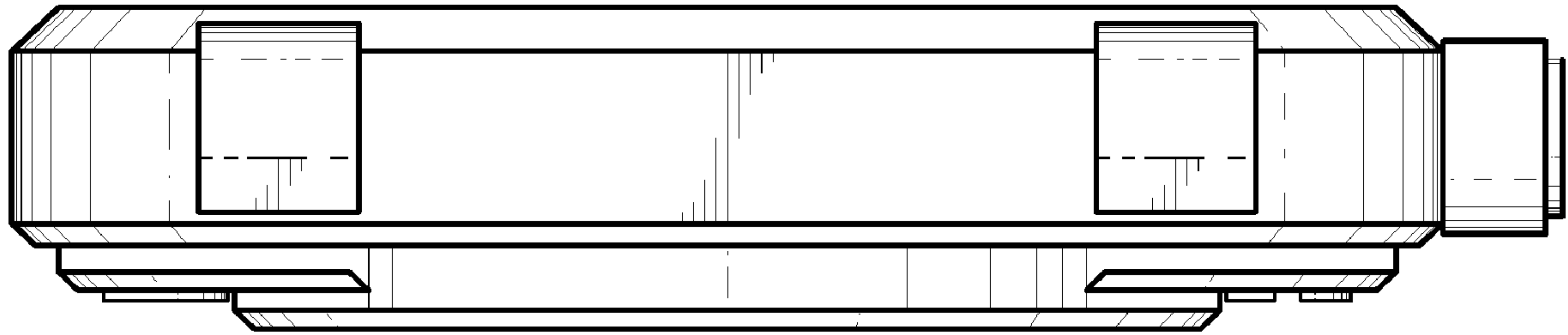
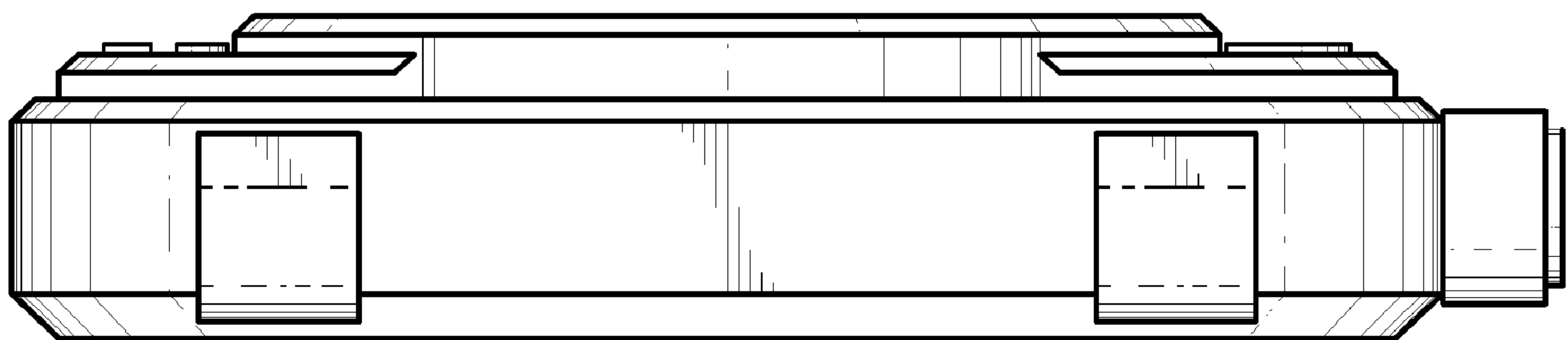


FIG. 3





*FIG. 4*



*FIG. 5*

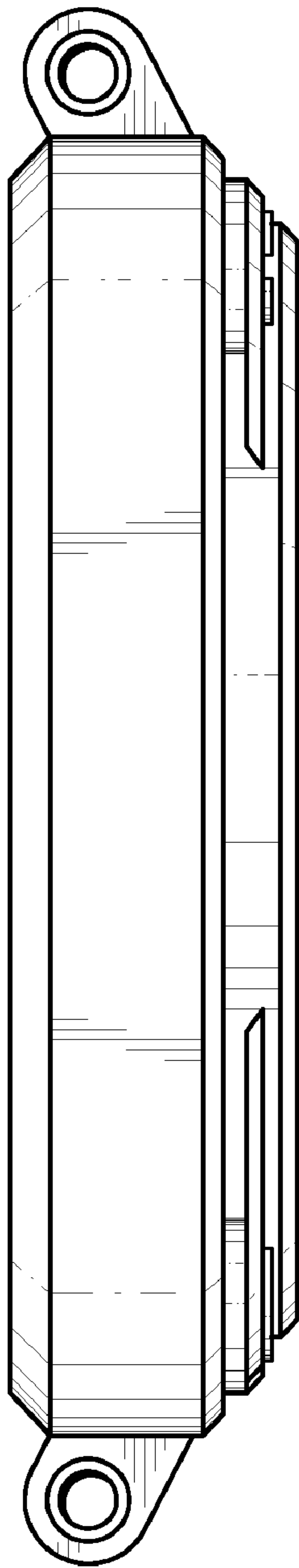


FIG. 6

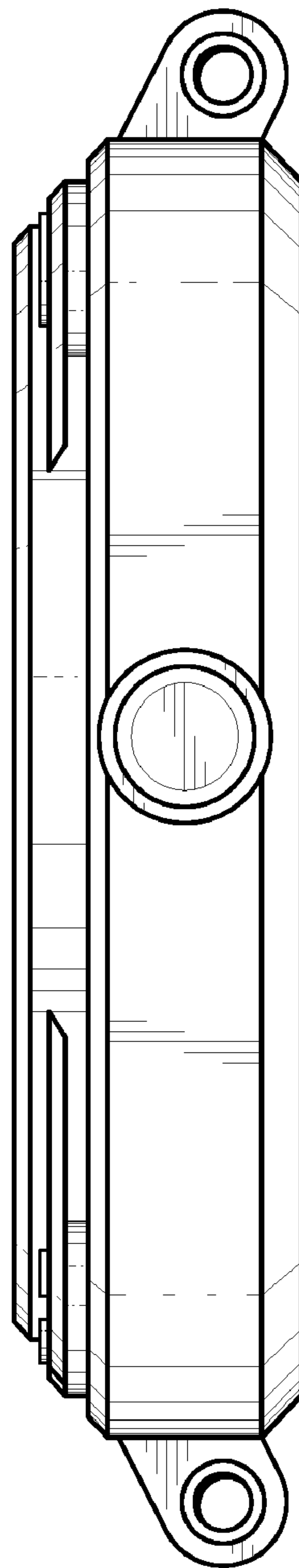


FIG. 7

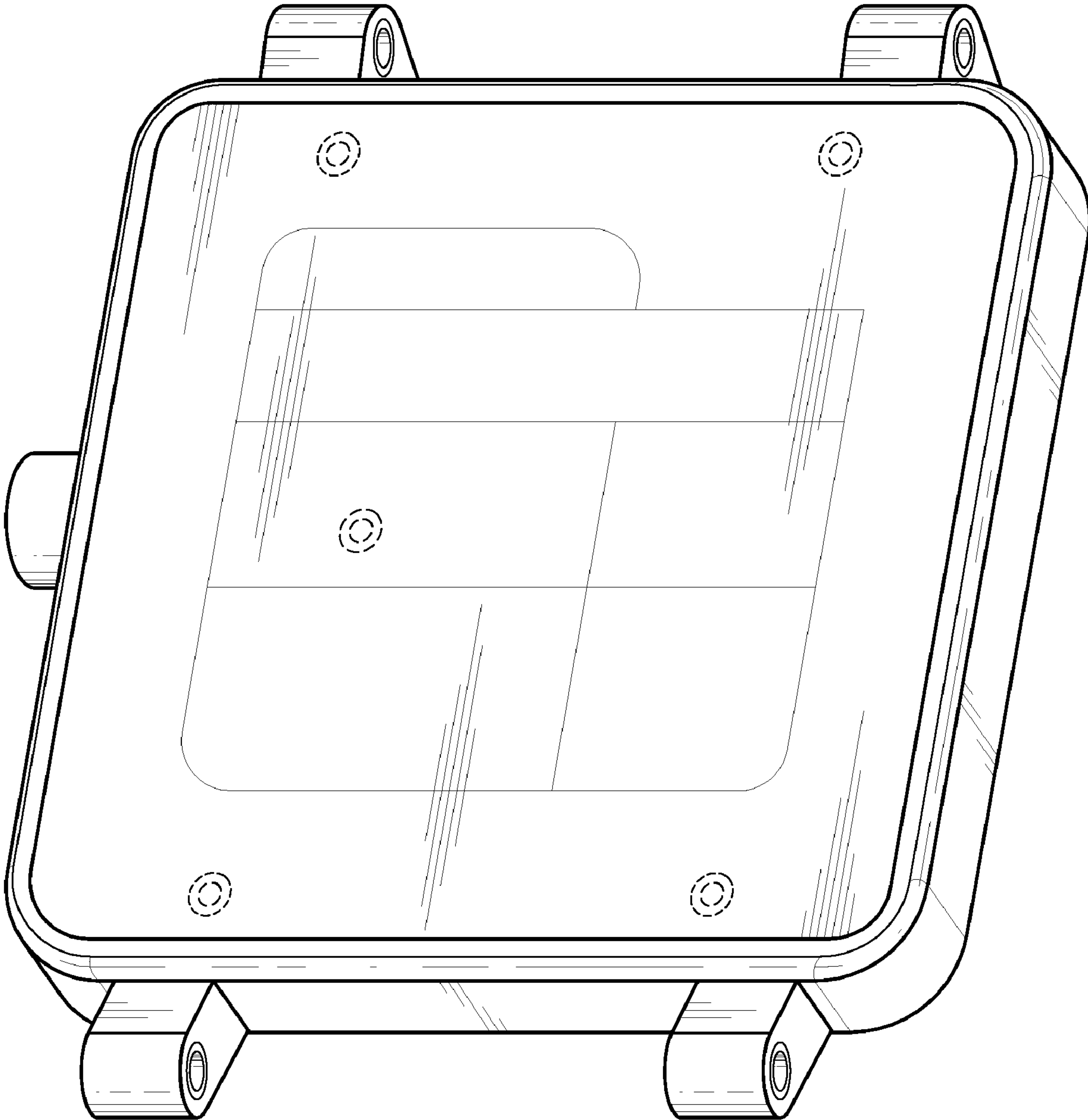


FIG. 8

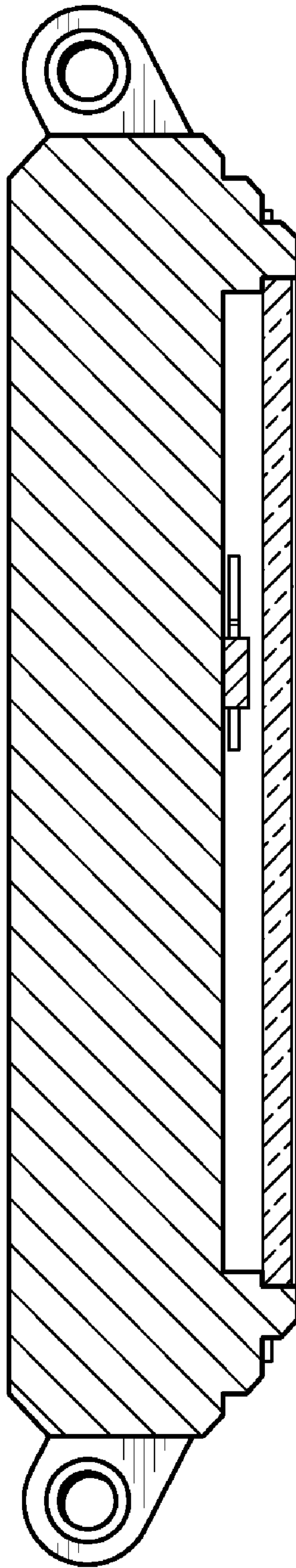


FIG. 9