



US00D604631S

(12) **United States Design Patent**
Duncan

(10) **Patent No.:** **US D604,631 S**

(45) **Date of Patent:** **** Nov. 24, 2009**

(54) **SANITARY WIPE CONTAINER**

(76) **Inventor:** **Gary W. Duncan**, 2770 E. County Road
400 South, Clayton, IN (US) 46118

(**) **Term:** **14 Years**

(21) **Appl. No.:** **29/310,700**

(22) **Filed:** **Sep. 5, 2008**

(51) **LOC (9) Cl.** **09-01**

(52) **U.S. Cl.** **D9/600; D9/734; D23/311**

(58) **Field of Classification Search** **D9/600,**
D9/636, 642, 730, 734, 414, 416, 420; D23/311;
D3/270-271.1; 206/457-458, 527; 215/400;
220/890

See application file for complete search history.

(56) **References Cited**

U.S. PATENT DOCUMENTS

D124,215 S * 12/1940 Vigo D23/271
D292,774 S * 11/1987 McGraw D9/600
D343,352 S * 1/1994 Sahr D9/641

D372,766 S * 8/1996 Francke D23/311
D414,637 S * 10/1999 Amundson et al. D9/734
D443,508 S * 6/2001 Braaten et al. D9/734

* cited by examiner

Primary Examiner—Sandra Morris

(74) *Attorney, Agent, or Firm*—Richard L. Mikesell

(57) **CLAIM**

The ornamental design for a sanitary wipe container, as shown and described.

DESCRIPTION

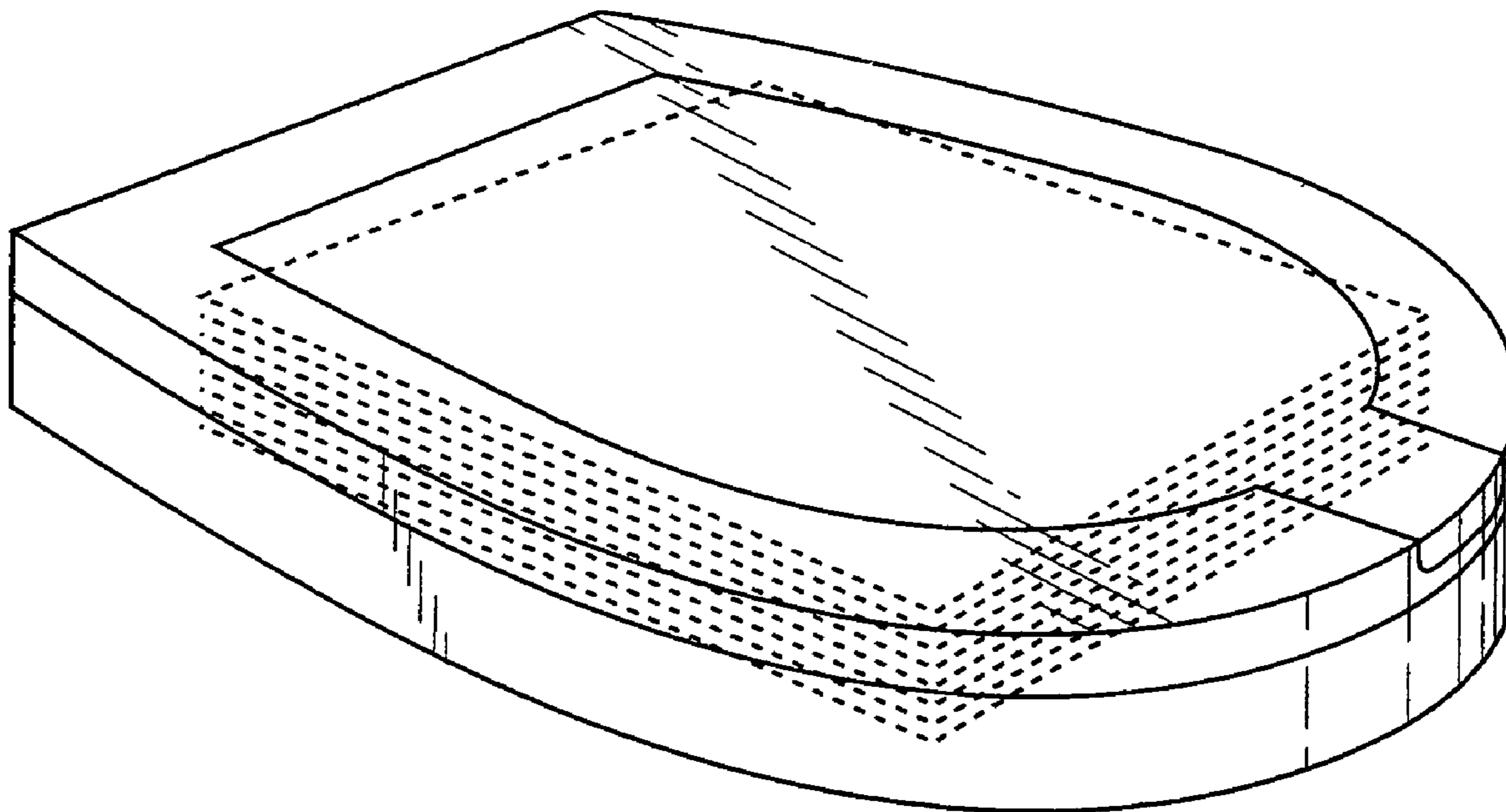
FIG. 1: Top left perspective view;

FIG. 2: Top left perspective view, the broken line showing of the wipes is for illustrative purposes only, and forms no part of the claimed design; and,

FIG. 3: Top left perspective view with lid open.

The bottom is plain and unadorned. The right side is identical to the left side.

1 Claim, 2 Drawing Sheets



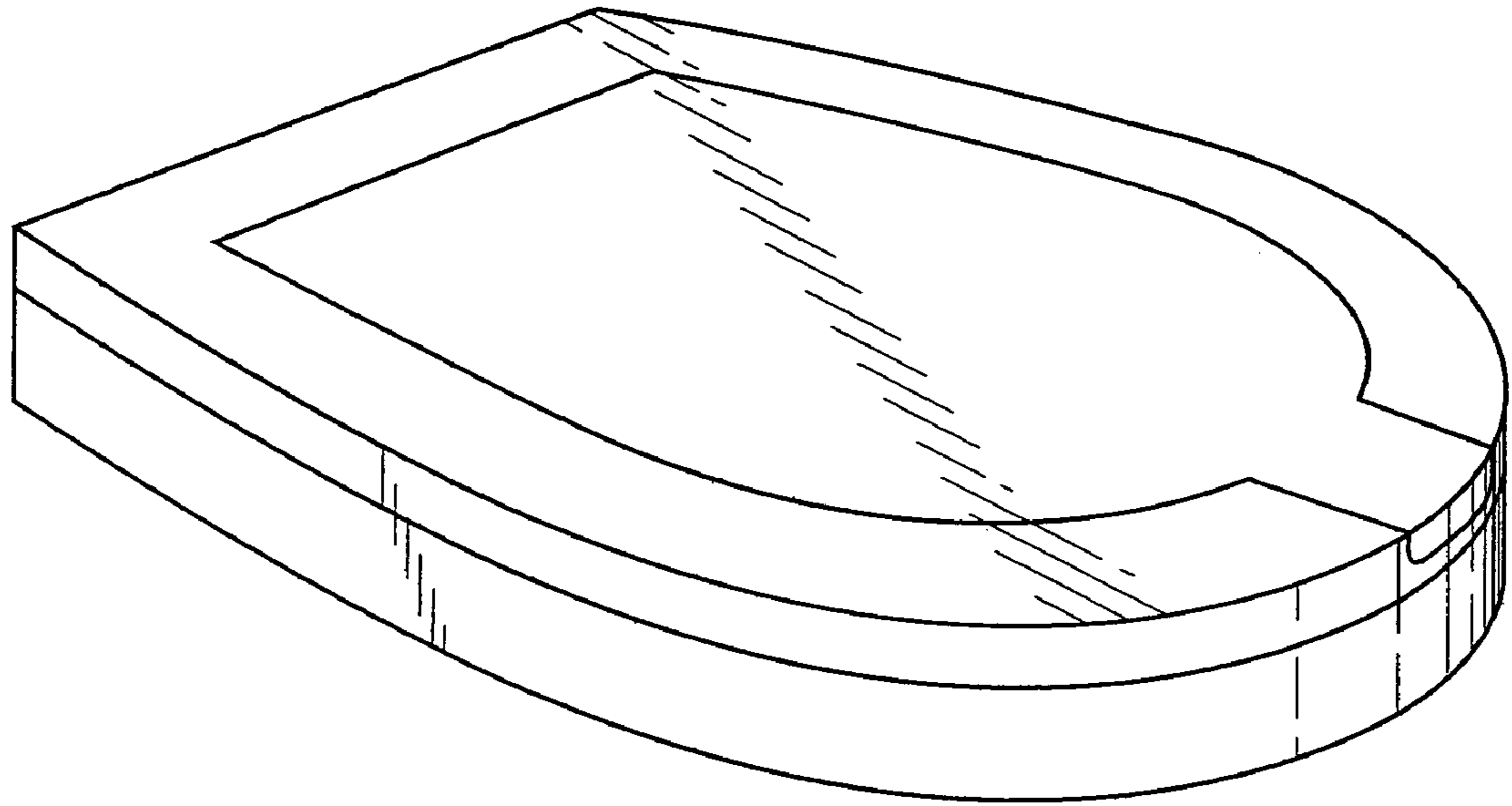


Fig. 1

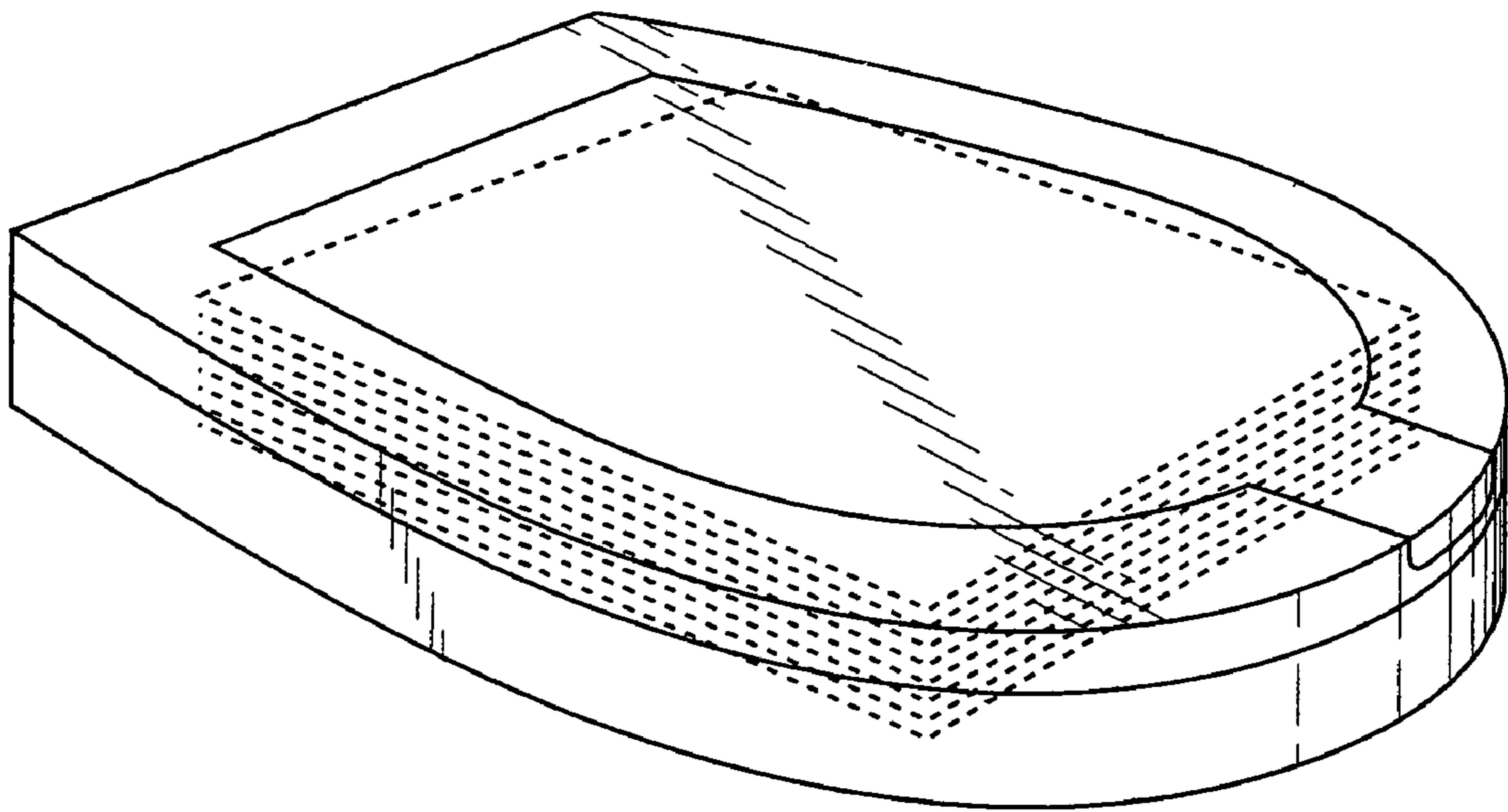


Fig. 2

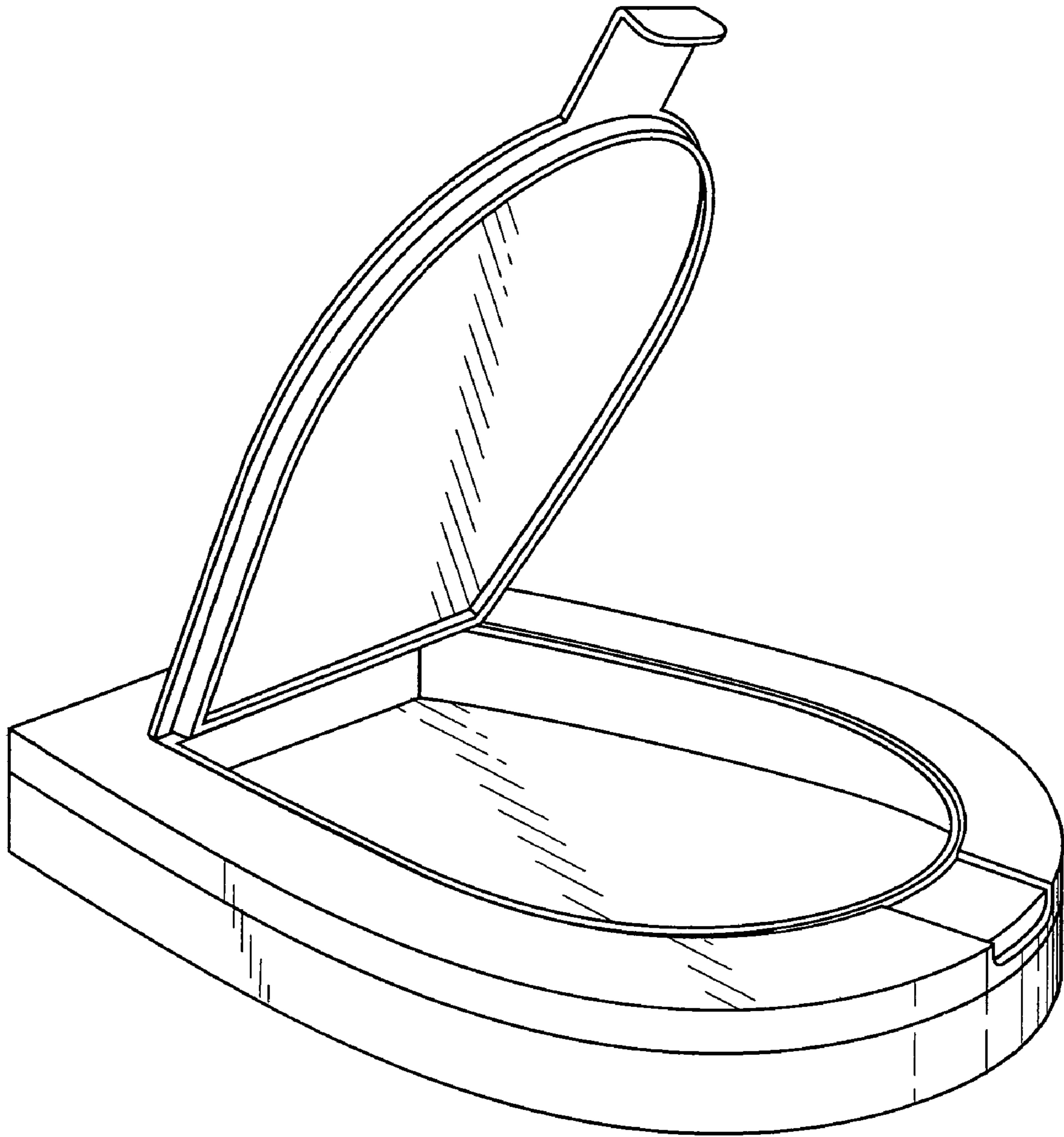


Fig. 3