



US00D604630S

(12) **United States Design Patent**
Canamasas Puigbo

(10) **Patent No.:** **US D604,630 S**

(45) **Date of Patent:** **** Nov. 24, 2009**

(54) **BOTTLE**

(76) Inventor: **Aniceto Canamasas Puigbo**, Avenida de la Fama, 129, Cornellà de Llobregat, Barcelona (ES) 08940

(**) Term: **14 Years**

(21) Appl. No.: **29/298,627**

(22) Filed: **Dec. 10, 2007**

(30) **Foreign Application Priority Data**

Jun. 14, 2007 (EM) 000739966-0004

(51) **LOC (9) Cl.** **09-01**

(52) **U.S. Cl.** **D9/560**

(58) **Field of Classification Search** D9/500,
D9/516, 559, 560, 572, 573, 574, 529, 564,
D9/565; 215/382-384; 220/660-662, 669,
220/675; D28/76, 78

See application file for complete search history.

(56) **References Cited**

U.S. PATENT DOCUMENTS

D31,235 S * 7/1899 Low D9/560

D540,688 S * 4/2007 Lascaux D9/560

D559,690 S * 1/2008 Canamasas Puigbo D9/529

D559,691 S * 1/2008 Canamasas Puigbo D9/529

D577,292 S * 9/2008 Moretti D9/560

D578,891 S * 10/2008 Canamasas Puigbo D9/500

* cited by examiner

Primary Examiner—Stella M Reid

Assistant Examiner—Keli L Hill

(74) *Attorney, Agent, or Firm*—Strum & Fix LLP

(57) **CLAIM**

The ornamental design for a bottle, as shown and described.

DESCRIPTION

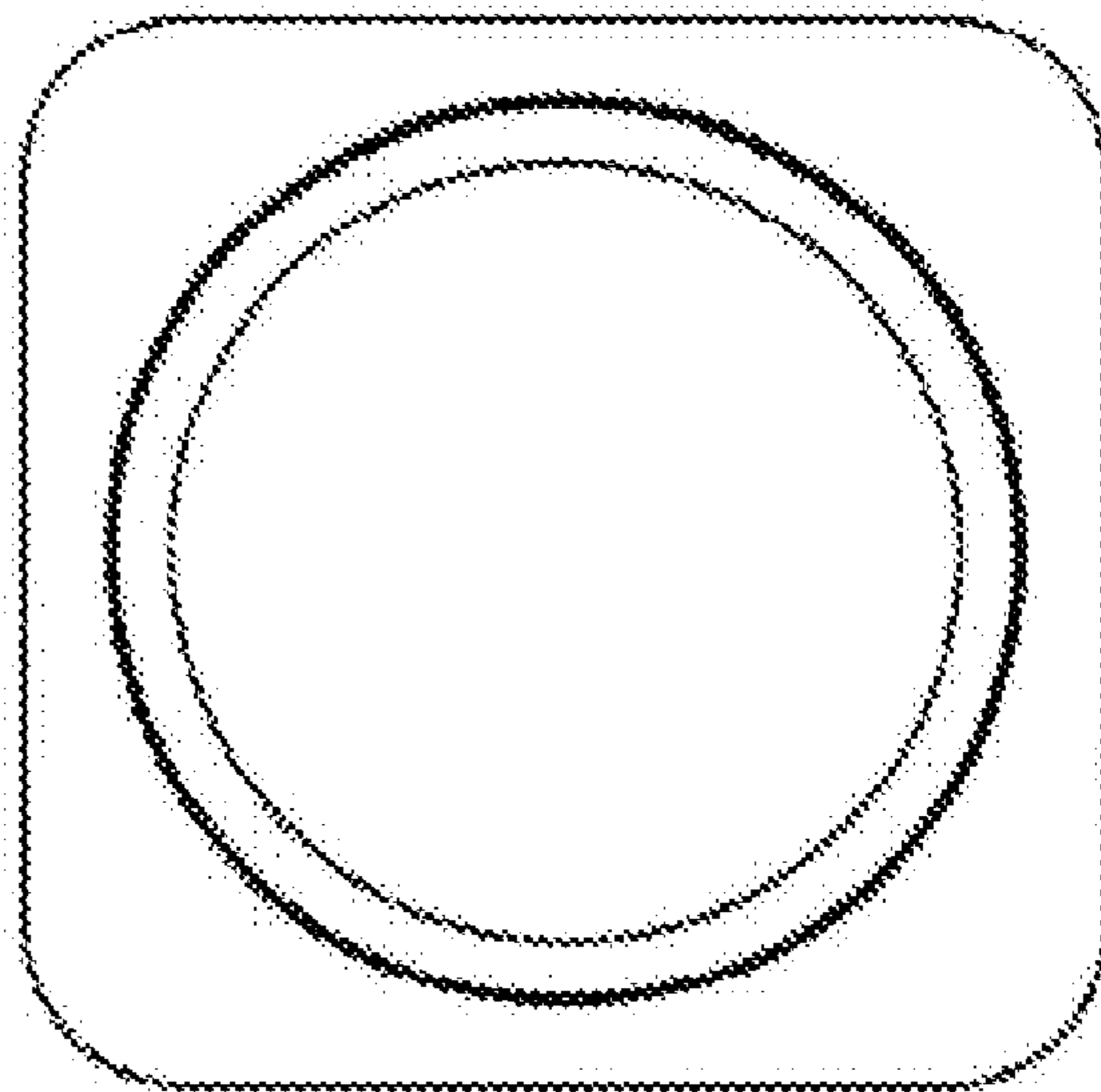
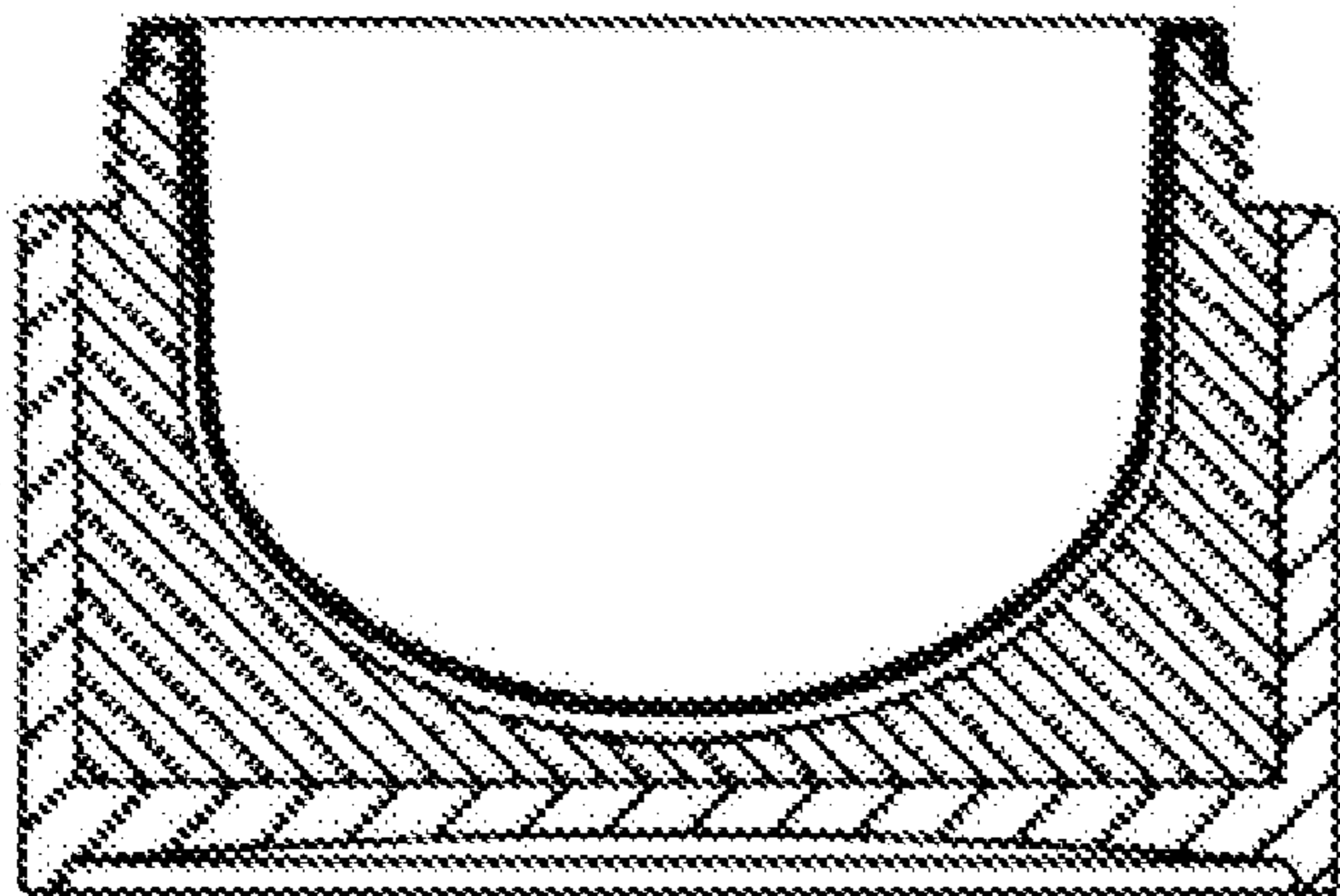
FIG. 1 is a bottom plan view of a bottle, embodying my new design;

FIG. 2 is a front elevation view thereof, the rear view being a mirror image thereto;

FIG. 3 is a cross-section view taken along the line 3—3 in the FIG. 2 drawing view; and,

FIG. 4 is a top plan view thereof.

1 Claim, 1 Drawing Sheet



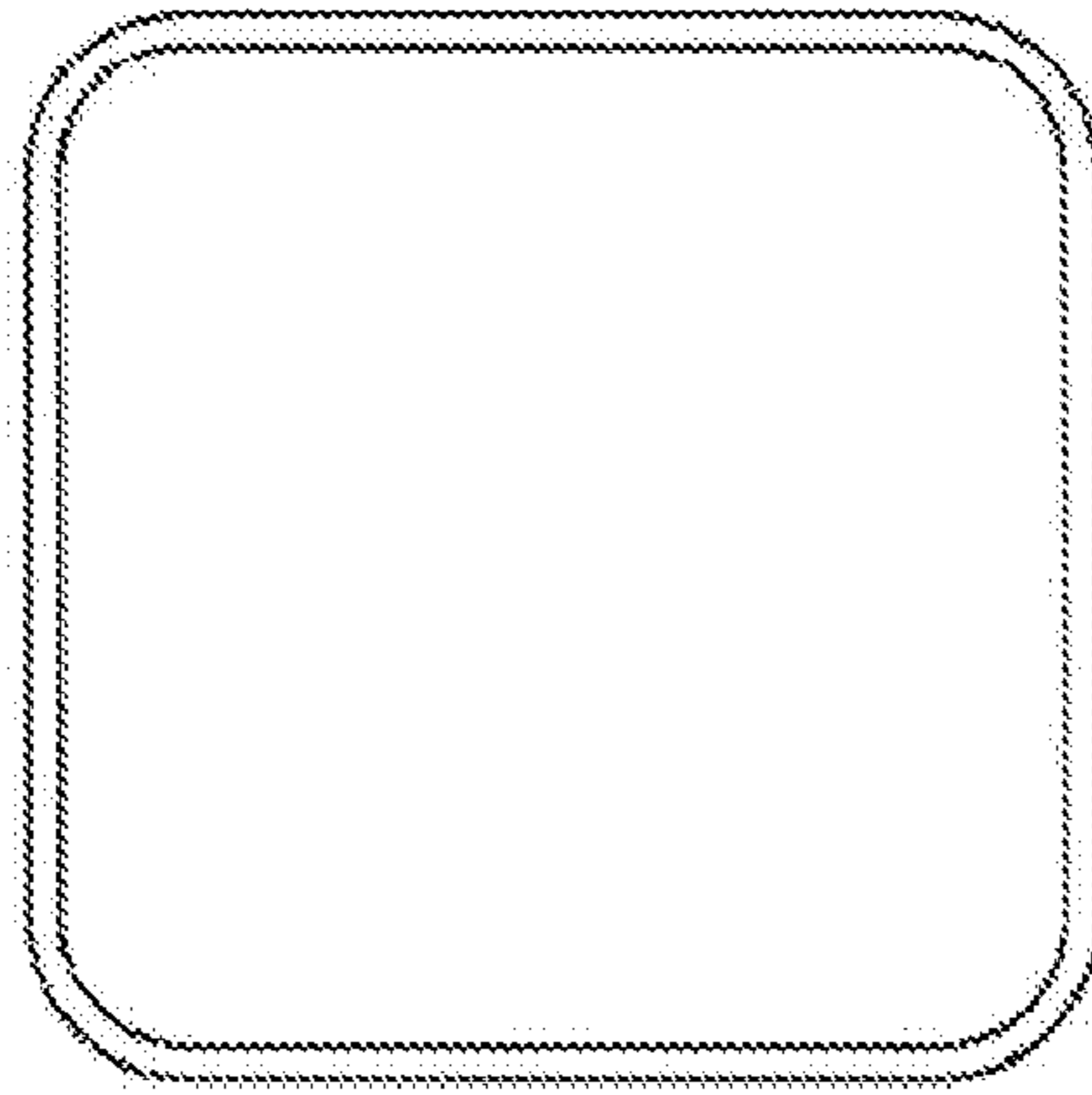


FIG. 1

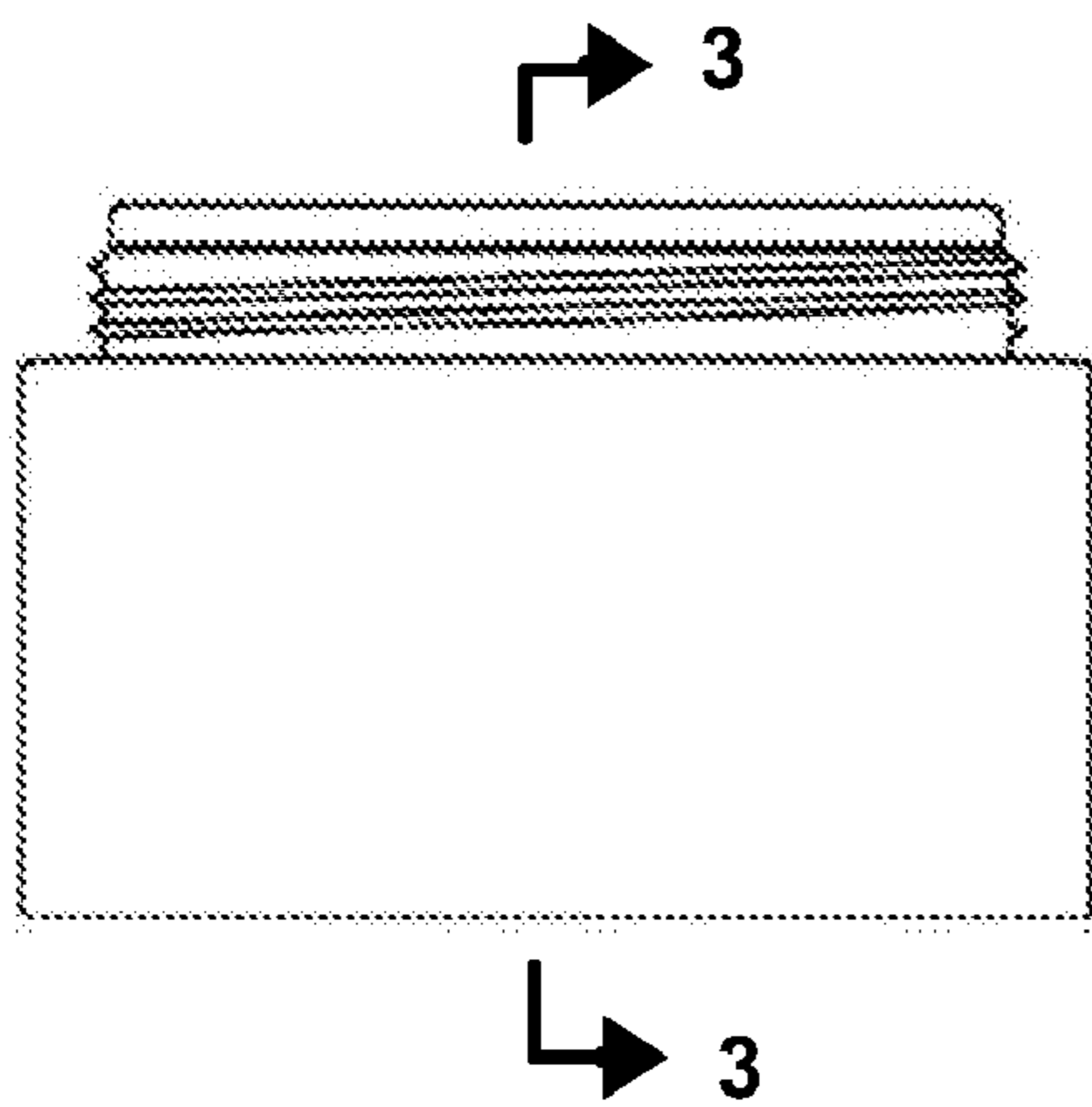


FIG. 2

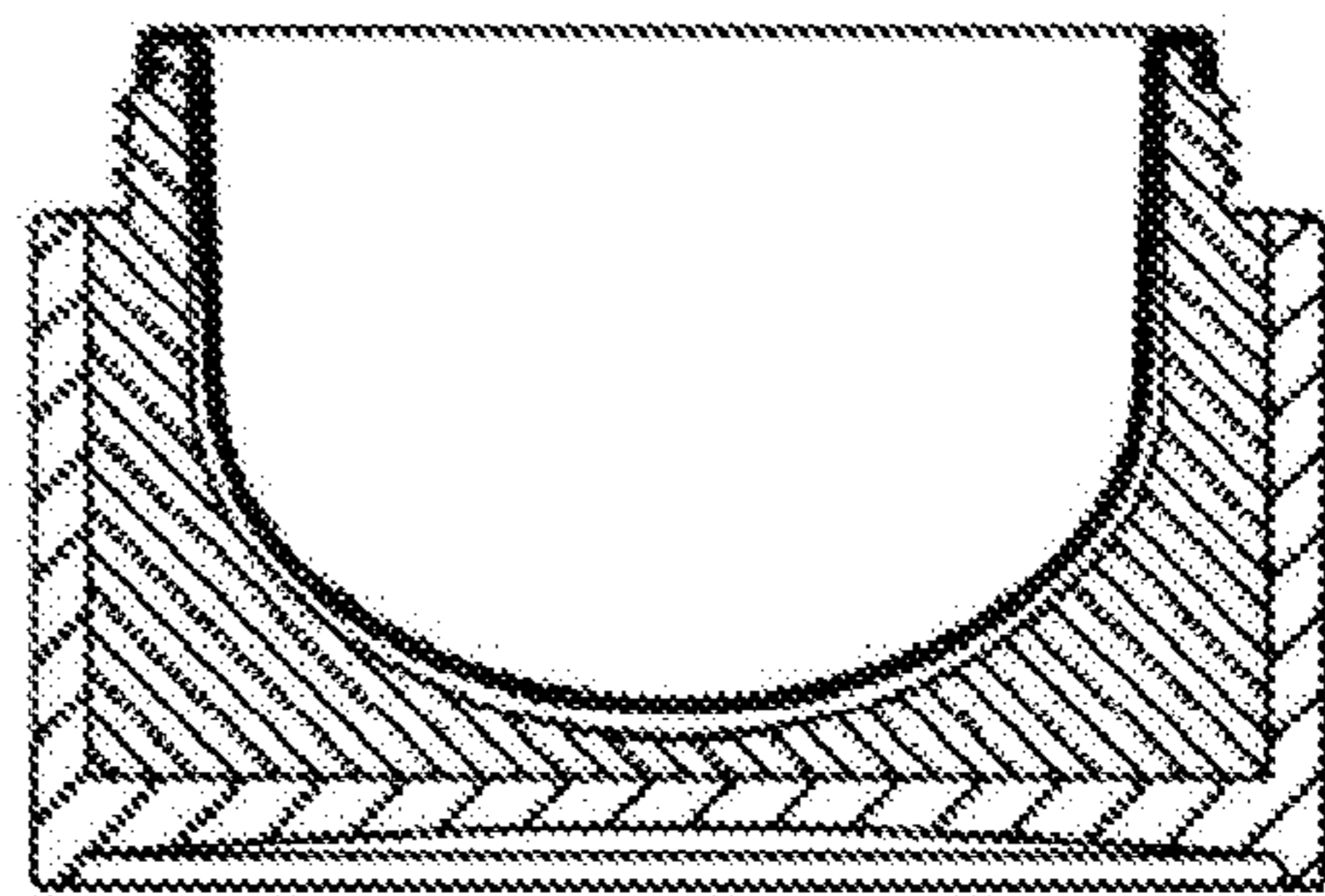


FIG. 3

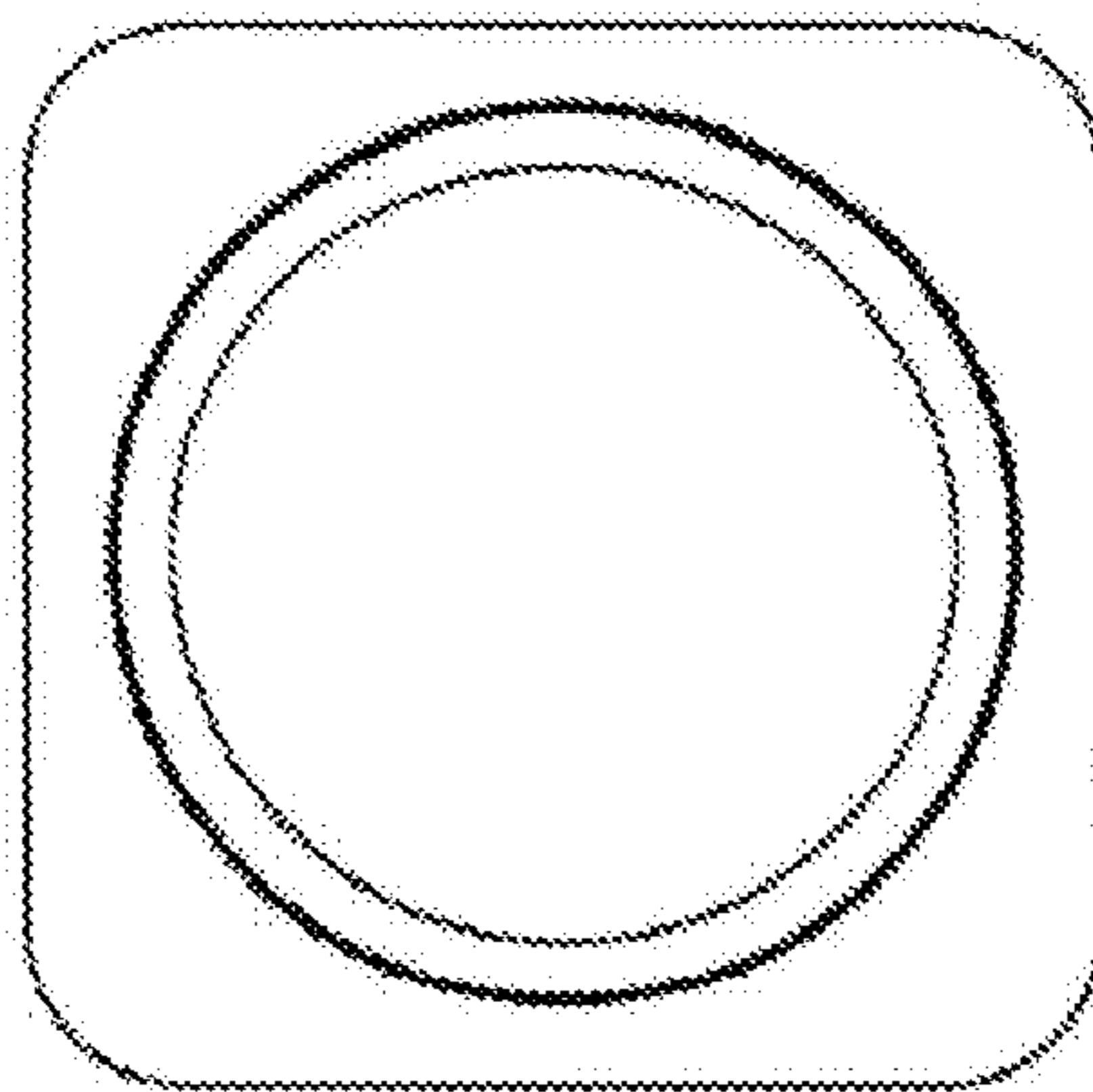


FIG. 4