



US00D604629S

(12) **United States Design Patent**
Aebi

(10) **Patent No.:** **US D604,629 S**
(45) **Date of Patent:** **** Nov. 24, 2009**

(54) **BOTTLE**

(75) Inventor: **Aurel Aebi**, La Neuveville (CH)

(73) Assignee: **Bulgari S.p.A.**, Rome (IT)

(**) Term: **14 Years**

(21) Appl. No.: **29/330,065**

(22) Filed: **Dec. 29, 2008**

(30) **Foreign Application Priority Data**

Jul. 2, 2008 (EM) 000962790-0002

(51) **LOC (9) Cl.** **09-01**

(52) **U.S. Cl.** **D9/544; D9/454**

(58) **Field of Classification Search** D9/516,
D9/520, 529, 544, 545, 546, 560, 564, 571,
D9/572, 573, 574, 435, 439, 454, 504, 505;
215/381-385

See application file for complete search history.

(56) **References Cited**

U.S. PATENT DOCUMENTS

- D76,142 S * 8/1928 Liddell D9/544
- D94,010 S * 12/1934 Westlake D9/544
- D107,966 S * 1/1938 McIntosh D9/544
- D141,775 S * 7/1945 Buckingham D9/544
- D158,380 S * 5/1950 Heftler-Louiche D9/544
- D247,281 S * 2/1978 Grodin D9/564
- D259,173 S * 5/1981 Lauren D9/560
- D272,603 S * 2/1984 Dinand D9/544
- D280,295 S * 8/1985 de Mouy et al. D9/573
- D299,429 S * 1/1989 Dinand D9/566
- D324,820 S * 3/1992 Hayman et al. D9/544

- D356,502 S * 3/1995 Poandl D9/520
- D474,693 S * 5/2003 Gruosi-Scheufele D9/544
- D532,696 S * 11/2006 Boudard D9/544
- D535,890 S * 1/2007 Herrmann D9/571
- D536,259 S * 2/2007 Herrmann D9/573
- D537,725 S * 3/2007 Varlet D9/544
- D542,670 S * 5/2007 Herrmann D9/560
- D545,206 S * 6/2007 Brown et al. D9/544
- D559,696 S * 1/2008 Didier D9/544

* cited by examiner

Primary Examiner—Stella M Reid

Assistant Examiner—Elizabeth J Oswecki

(74) *Attorney, Agent, or Firm*—Reising Ethington P.C.

(57) **CLAIM**

The ornamental design for a bottle, as shown and described.

DESCRIPTION

FIG. 1 is a perspective view of a bottle showing my new design;

FIG. 2 is a front view thereof;

FIG. 3 is a left side view thereof;

FIG. 4 is a back side view thereof;

FIG. 5 is a right side view thereof;

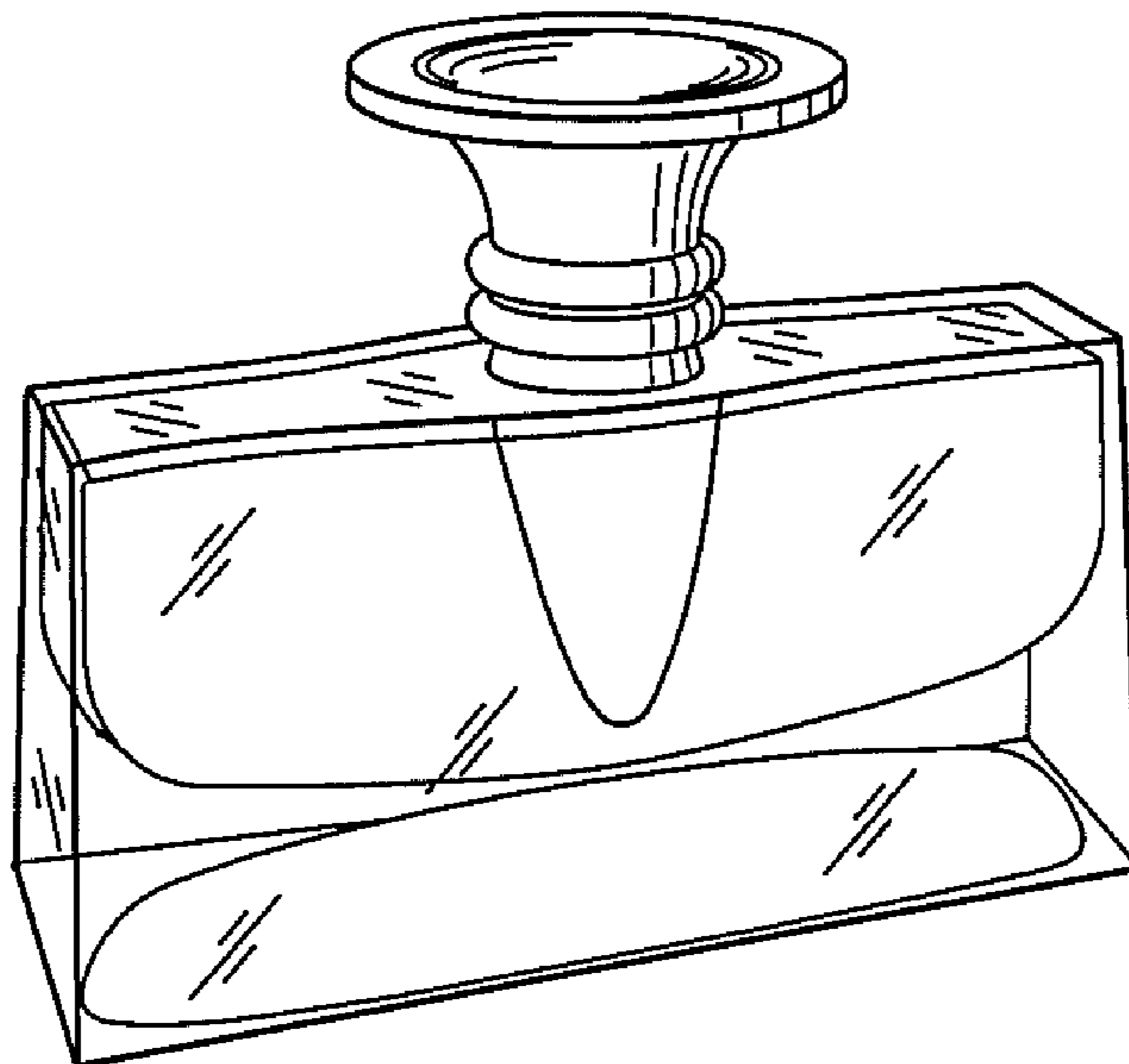
FIG. 6 is a top view thereof;

FIG. 7 is a bottom view thereof;

FIG. 8 is another perspective view thereof; and,

FIG. 9 is a cross sectional view of a bottle with a cap taken along line 9—9 in FIG. 6.

1 Claim, 2 Drawing Sheets



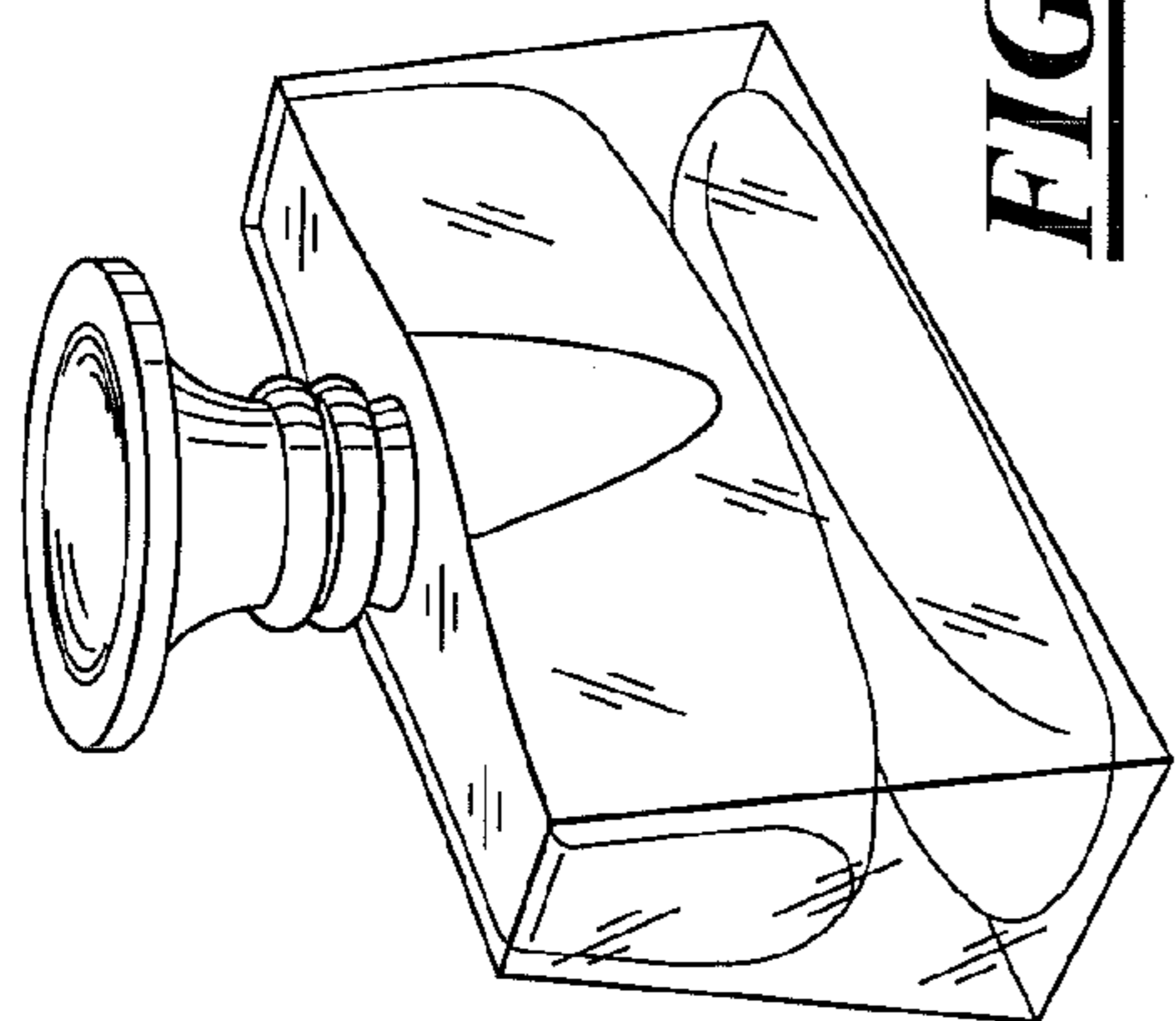


FIG. 1

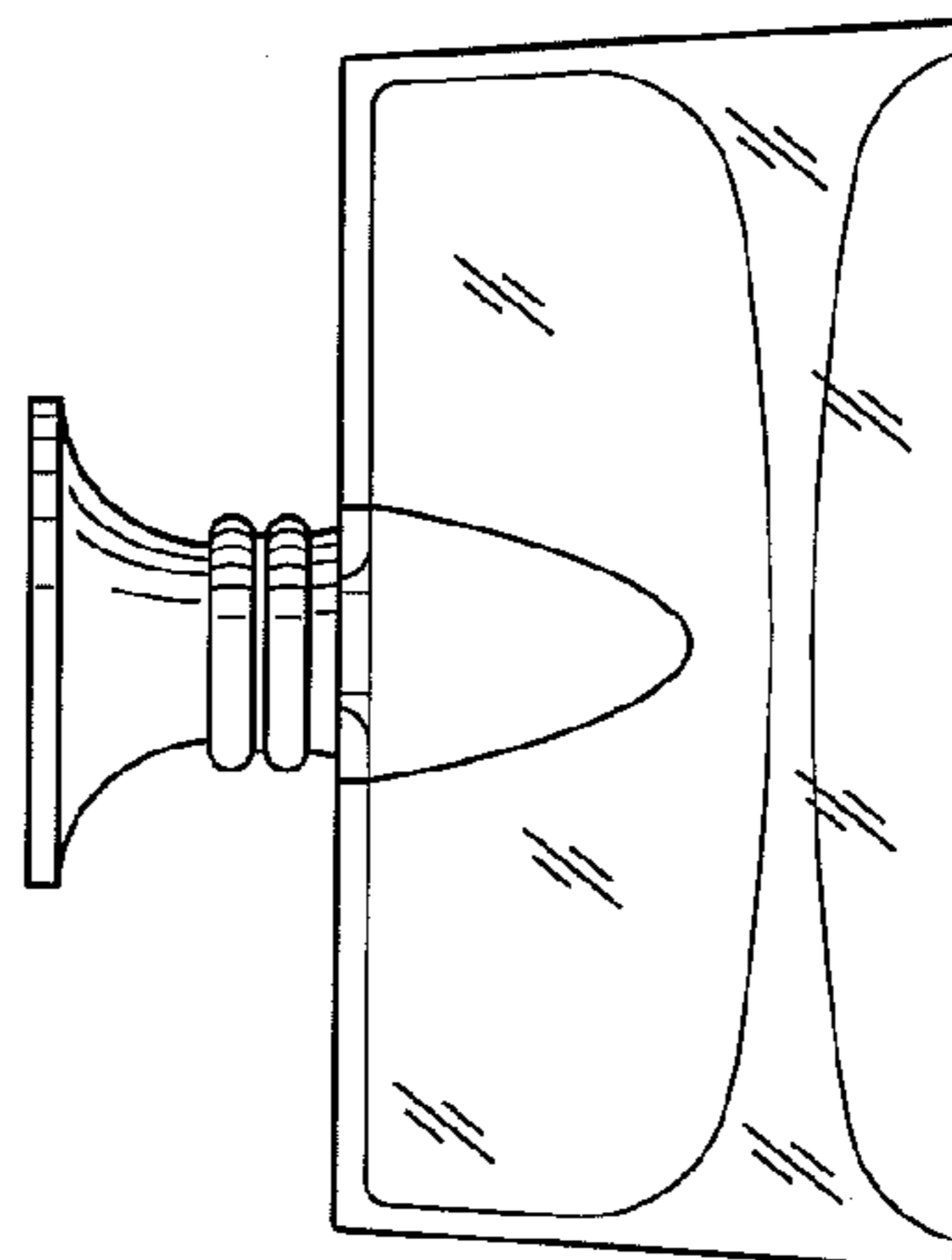


FIG. 2

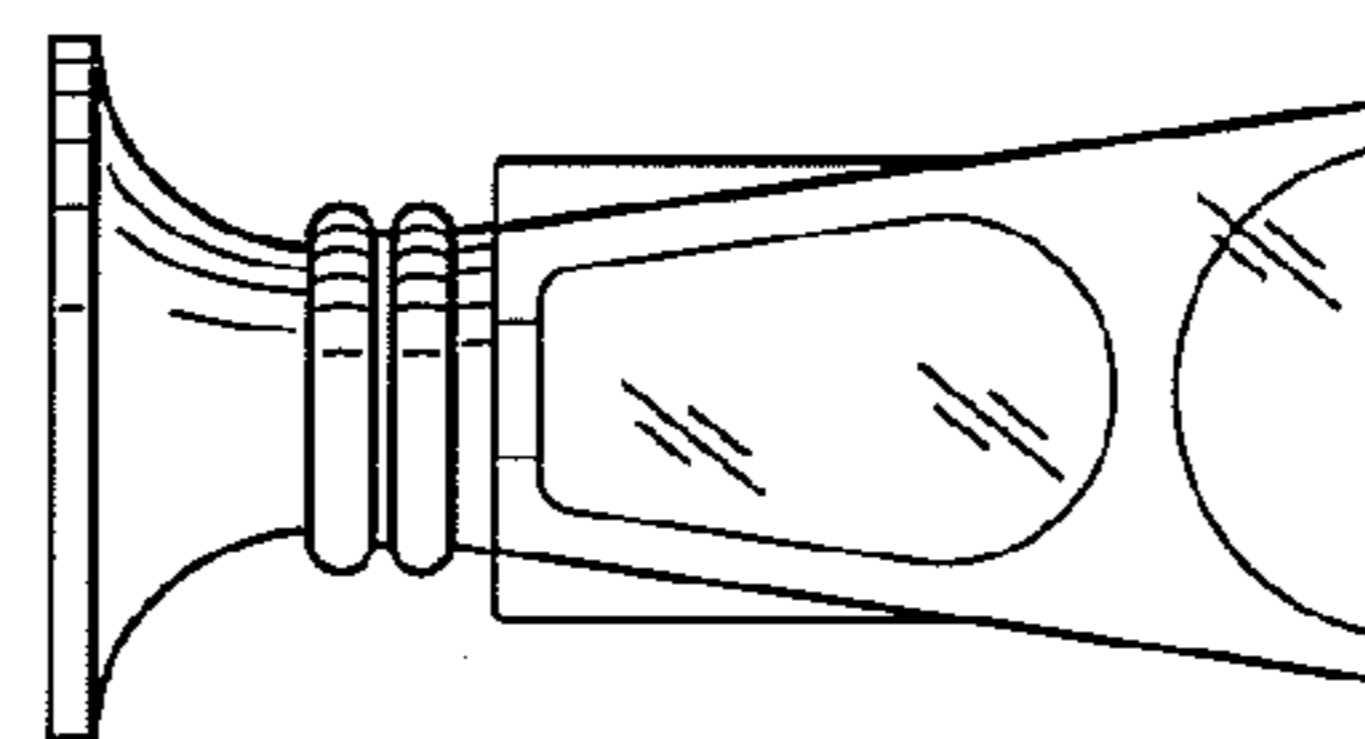


FIG. 3

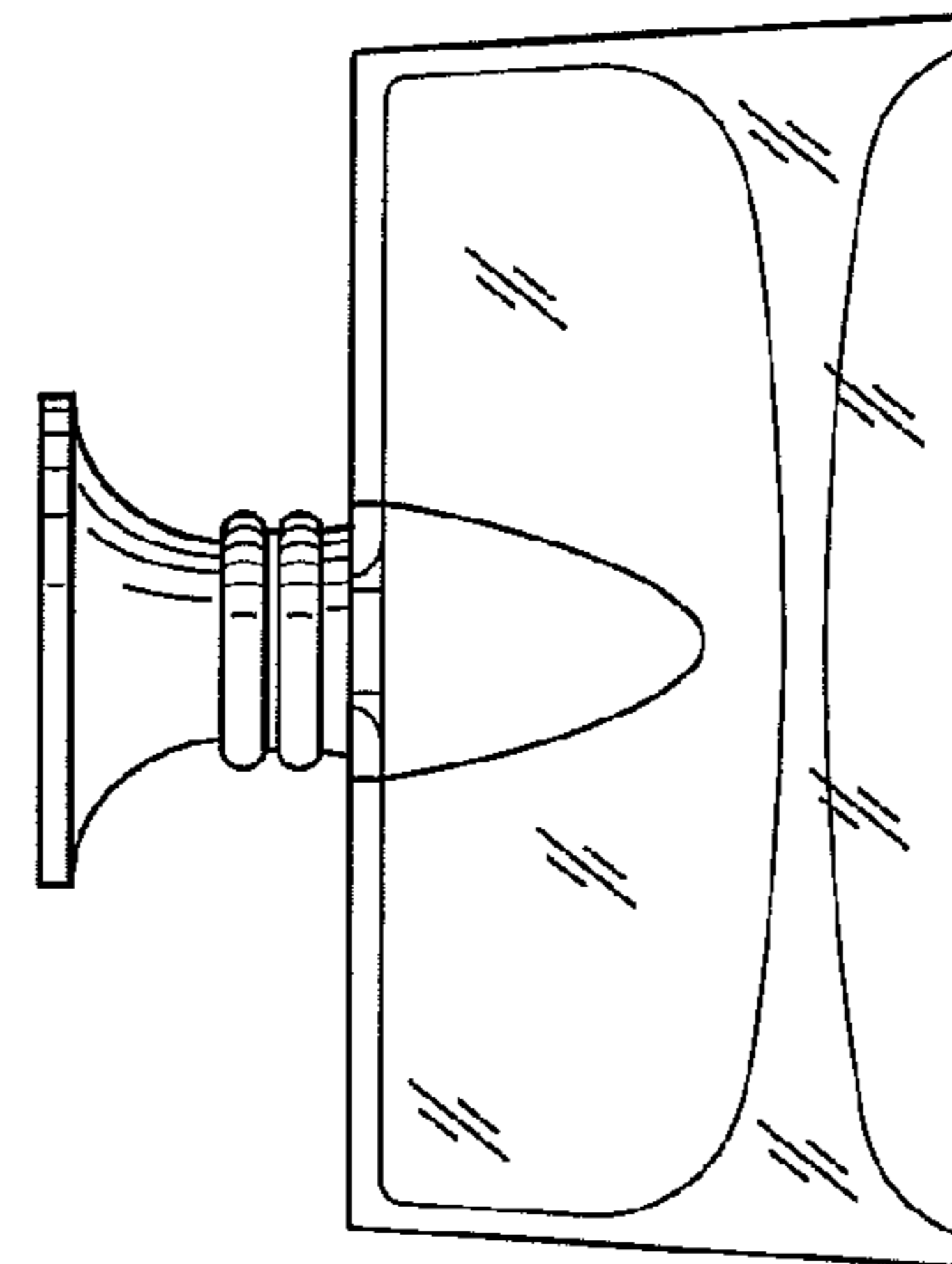


FIG. 4

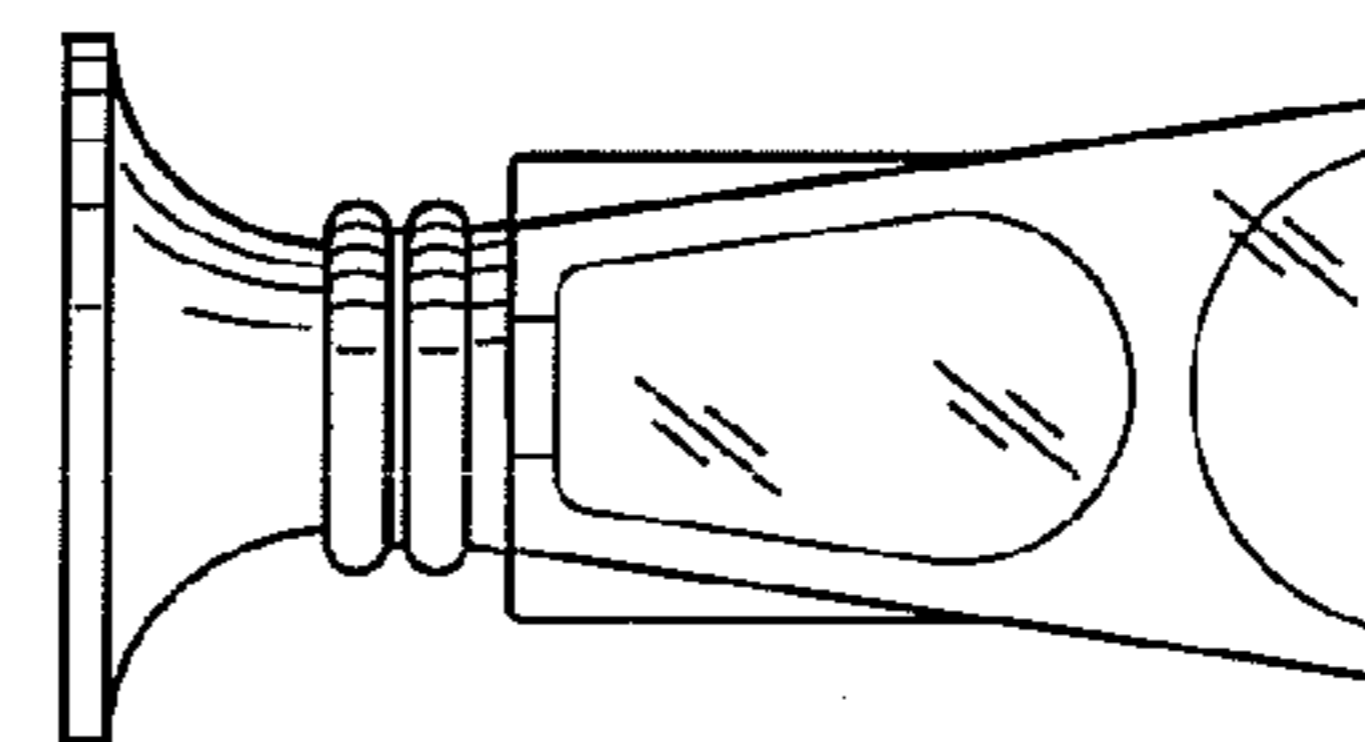


FIG. 5

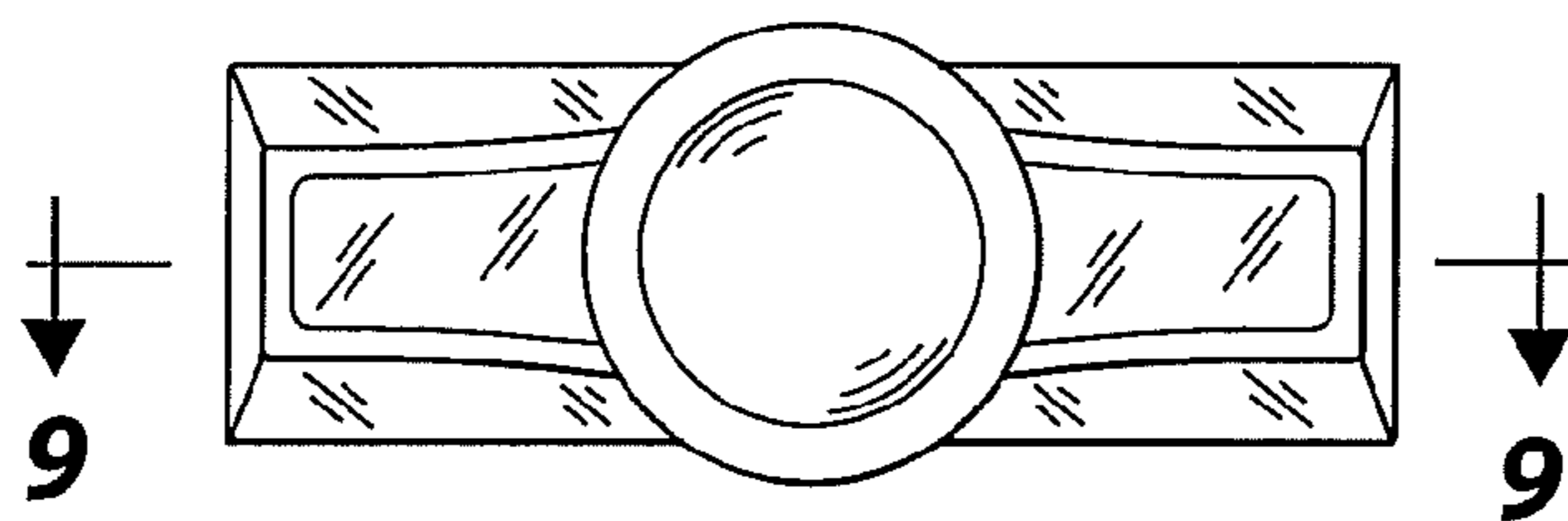


FIG. 6

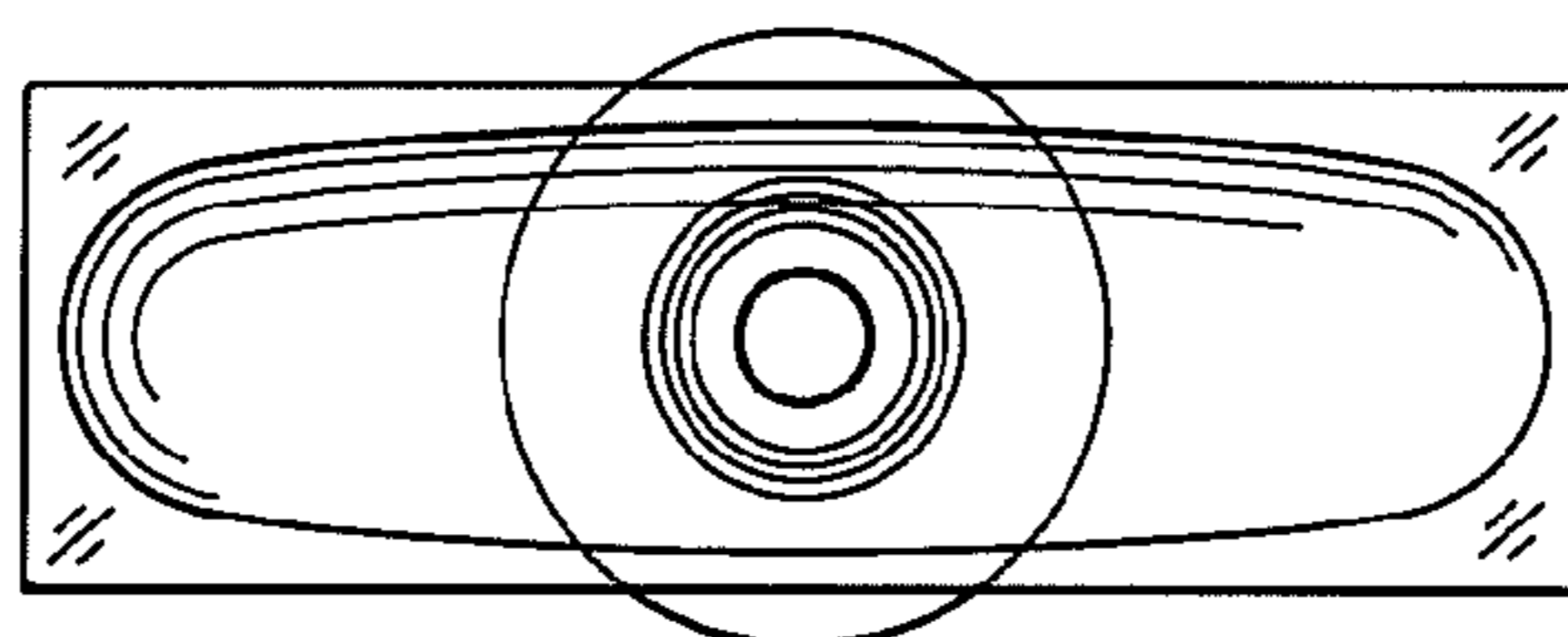


FIG. 7

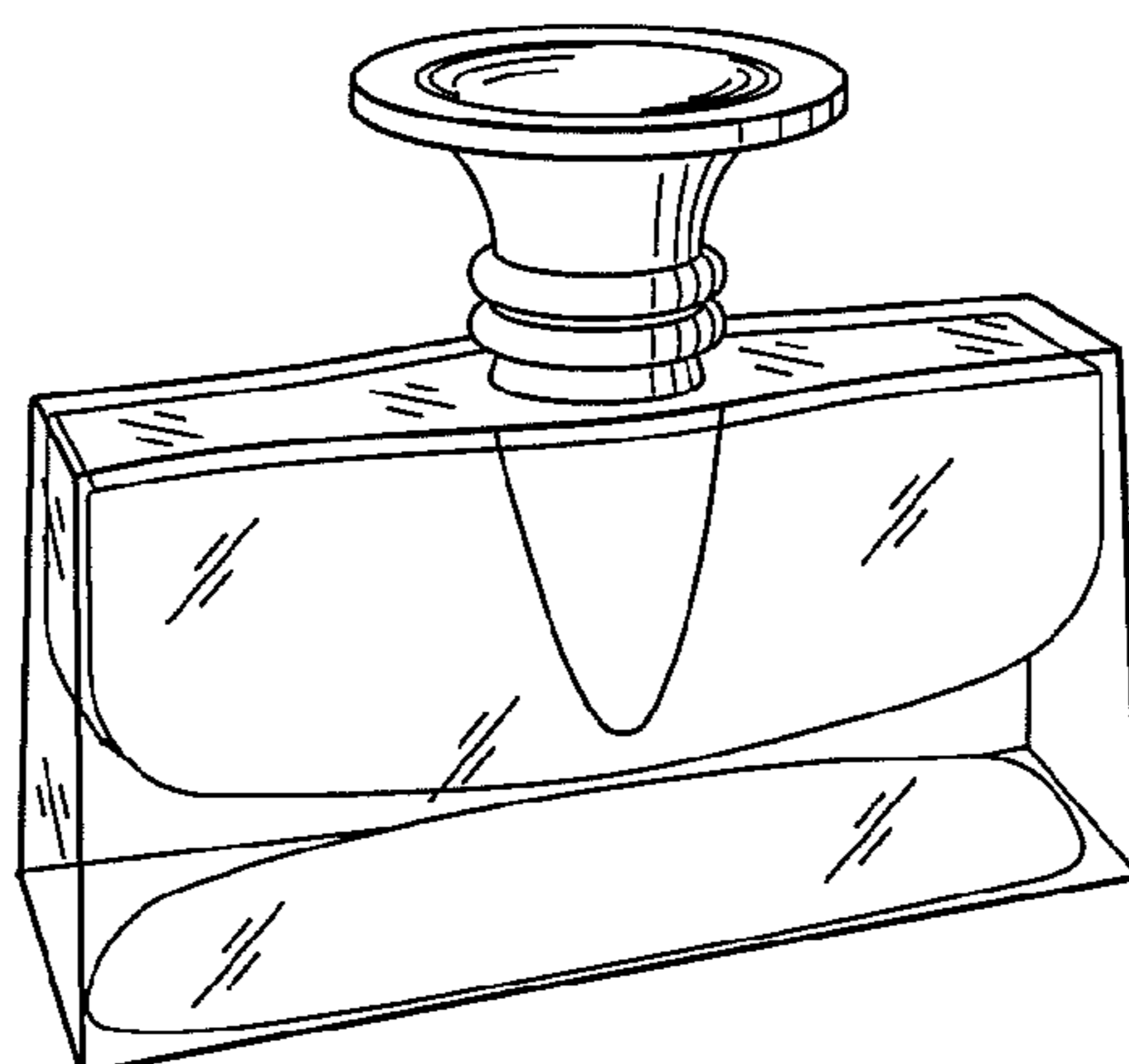


FIG. 8

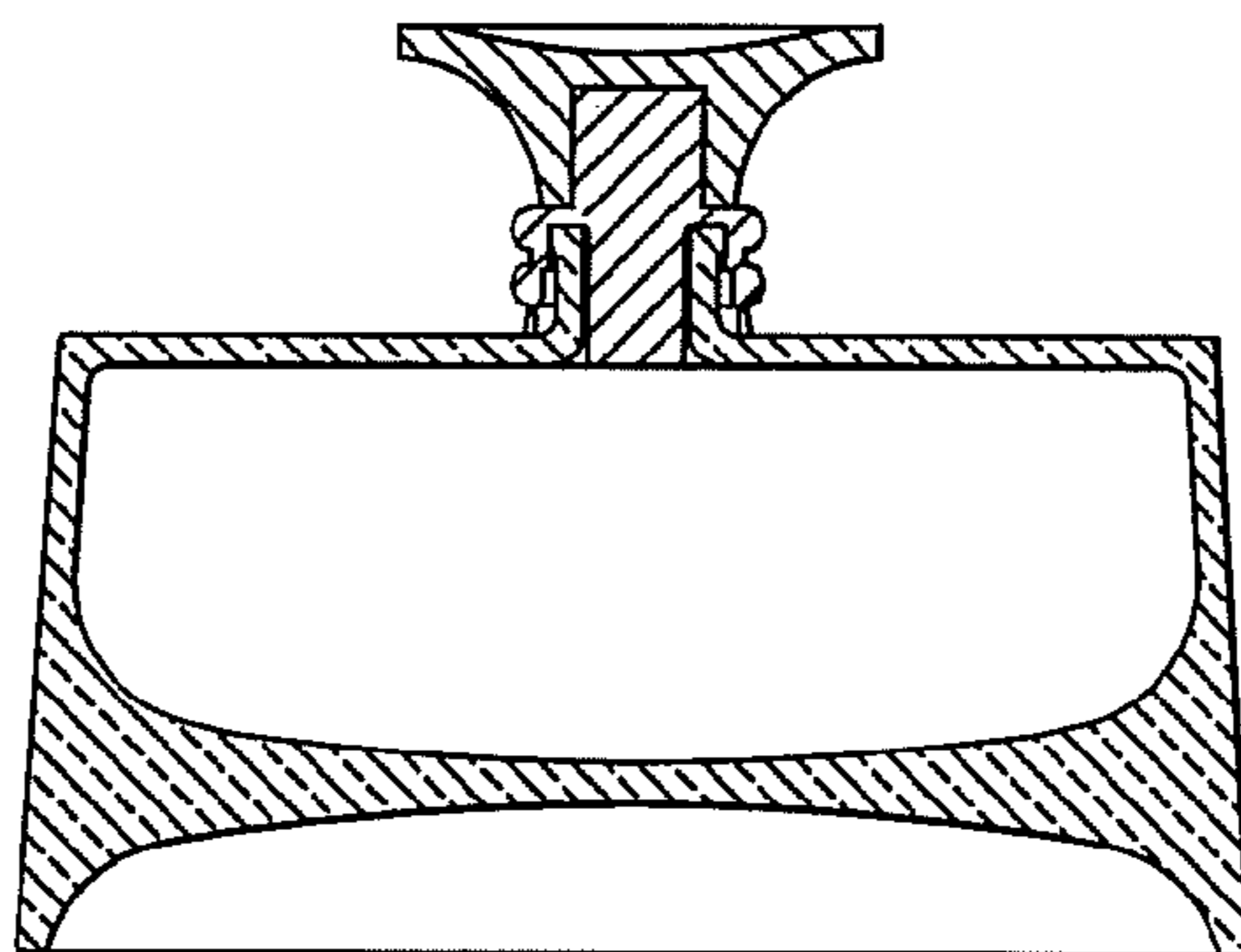


FIG. 9