



US00D604619S

(12) **United States Design Patent**  
**Tebé Poves et al.**

(10) **Patent No.:** **US D604,619 S**

(45) **Date of Patent:** **\*\* Nov. 24, 2009**

(54) **BOTTLE**

(75) Inventors: **Daniel Tebé Poves**, Cerdanyola Del Valles (ES); **Ruben Garcia Fabrega**, Cerdanyola Del Valles (ES); **José Antonio Munoz Martinez**, Cerdanyola Del Valles (ES)

(73) Assignee: **Zobebe Espana, S.A.** (ES)

(\*\*) Term: **14 Years**

(21) Appl. No.: **29/326,595**

(22) Filed: **Oct. 21, 2008**

(30) **Foreign Application Priority Data**

Apr. 23, 2008 (EM) ..... 000923404

(51) **LOC (9) Cl.** ..... **09-01**

(52) **U.S. Cl.** ..... **D9/522; D9/566; D9/568; D9/575**

(58) **Field of Classification Search** ..... D9/516, D9/522, 530, 543, 564, 566, 568, 571-575; 215/382-384; D23/366-369; 392/390-392, 392/395

See application file for complete search history.

(56) **References Cited**

**U.S. PATENT DOCUMENTS**

- D222,960 S \* 2/1972 Avedon et al. .... D9/544 X
- 6,104,867 A \* 8/2000 Stathakis et al. .... 392/403
- D439,319 S \* 3/2001 Wolpert ..... D23/363
- D452,732 S \* 1/2002 Basaganas ..... D23/366
- D478,512 S \* 8/2003 Duston et al. .... D9/522

- D479,804 S \* 9/2003 Wolpert et al. .... D9/516 X
- D480,316 S \* 10/2003 Wolpert et al. .... D9/574
- D503,621 S \* 4/2005 Heater ..... D9/522
- D505,330 S \* 5/2005 Wolpert ..... D9/575 X
- D515,192 S \* 2/2006 Smith et al. .... D23/366
- D536,979 S \* 2/2007 Caserta et al. .... D9/522
- D536,980 S \* 2/2007 Smith et al. .... D9/564 X
- D537,354 S \* 2/2007 Caserta et al. .... D9/566 X
- D541,160 S \* 4/2007 Cortes ..... D9/522
- D542,662 S \* 5/2007 Caserta et al. .... D9/522
- D556,582 S \* 12/2007 Heijdenrijk ..... D9/522
- D579,777 S \* 11/2008 Weggelaar ..... D9/522
- D590,270 S \* 4/2009 Friedman et al. .... D9/522 X
- 2002/0172512 A1 \* 11/2002 Stathakis et al. .... 392/395

\* cited by examiner

*Primary Examiner*—Carol Rademaker

(74) *Attorney, Agent, or Firm*—Cantor Colburn LLP

(57) **CLAIM**

We claim, the ornamental design for a bottle, as shown and described.

**DESCRIPTION**

FIG. 1 is a top perspective view of a bottle showing our new design;

FIG. 2 is front elevation view thereof;

FIG. 3 is a top plan view thereof;

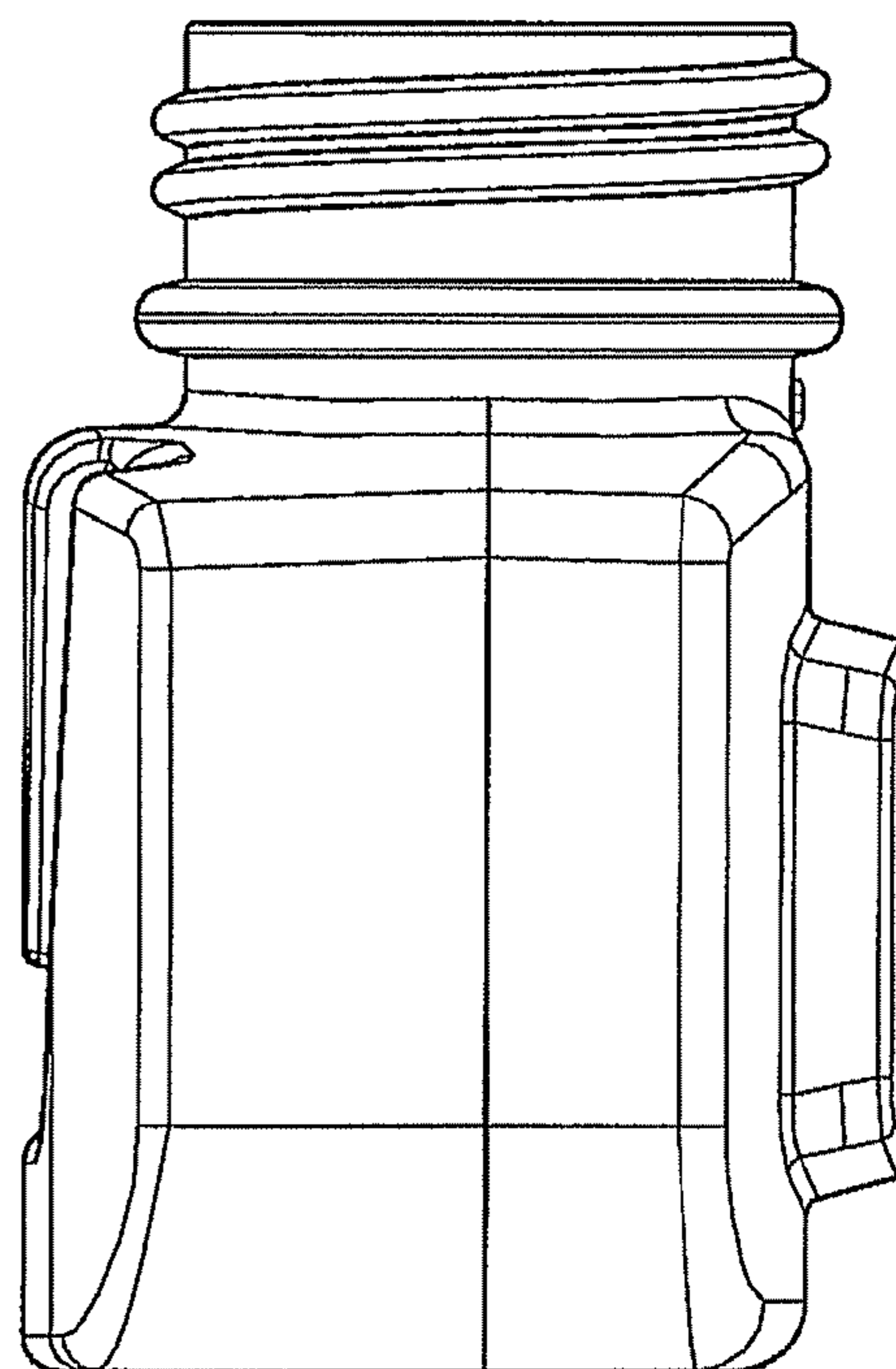
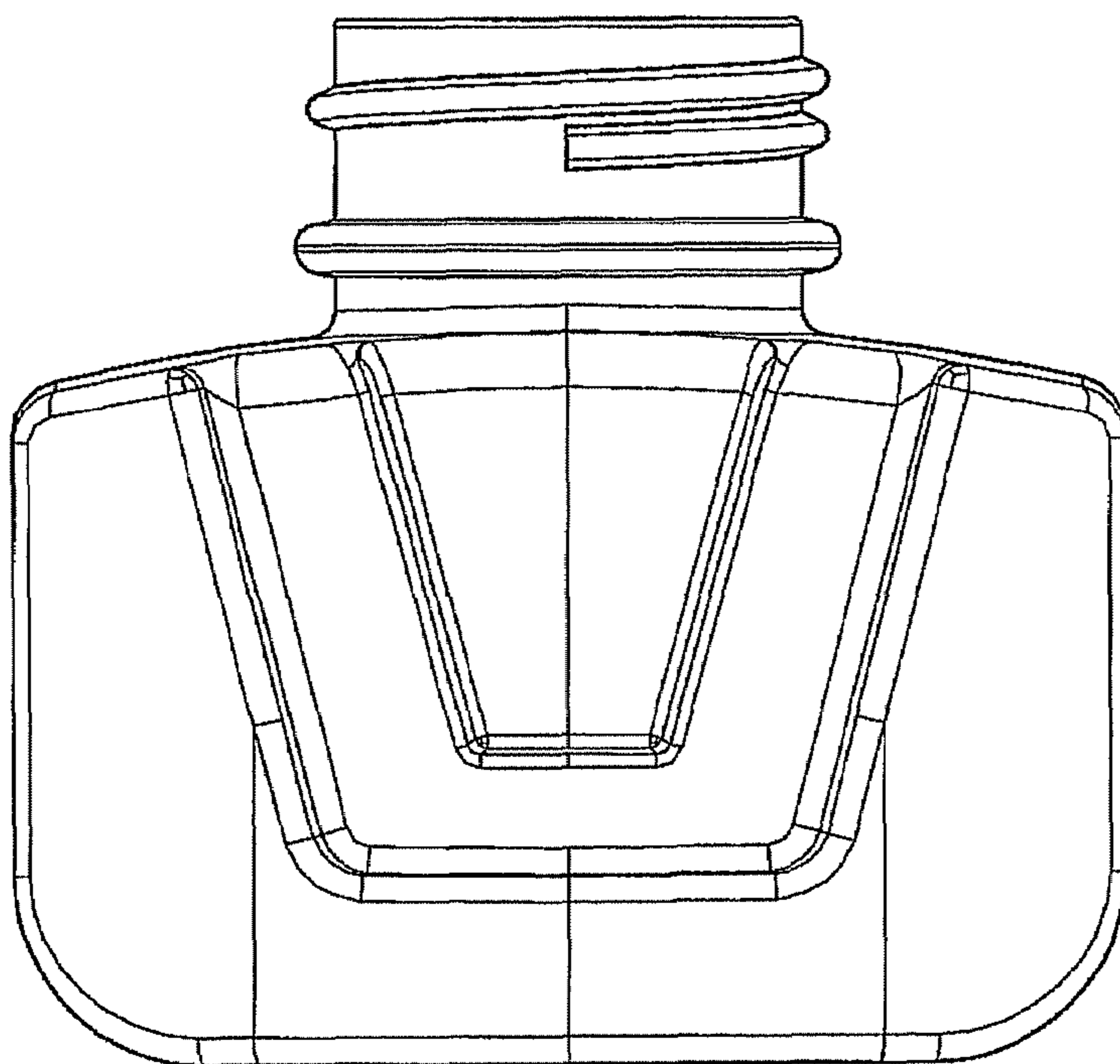
FIG. 4 is a side elevation view thereof;

FIG. 5 is a rear elevation view thereof;

FIG. 6 is a bottom plan view thereof; and,

FIG. 7 is a side elevation opposite that shown in FIG. 4.

**1 Claim, 7 Drawing Sheets**



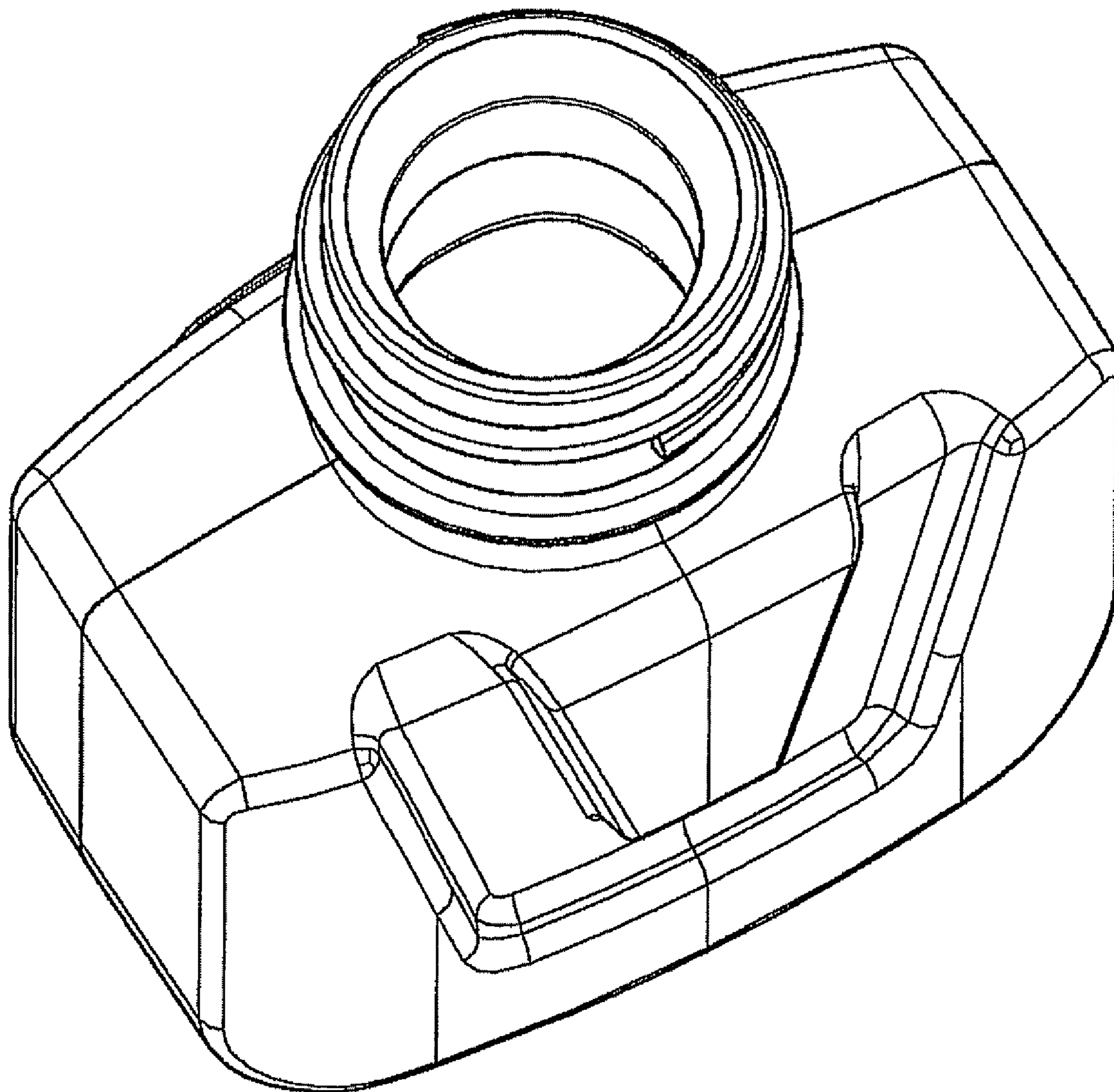


FIG. 1

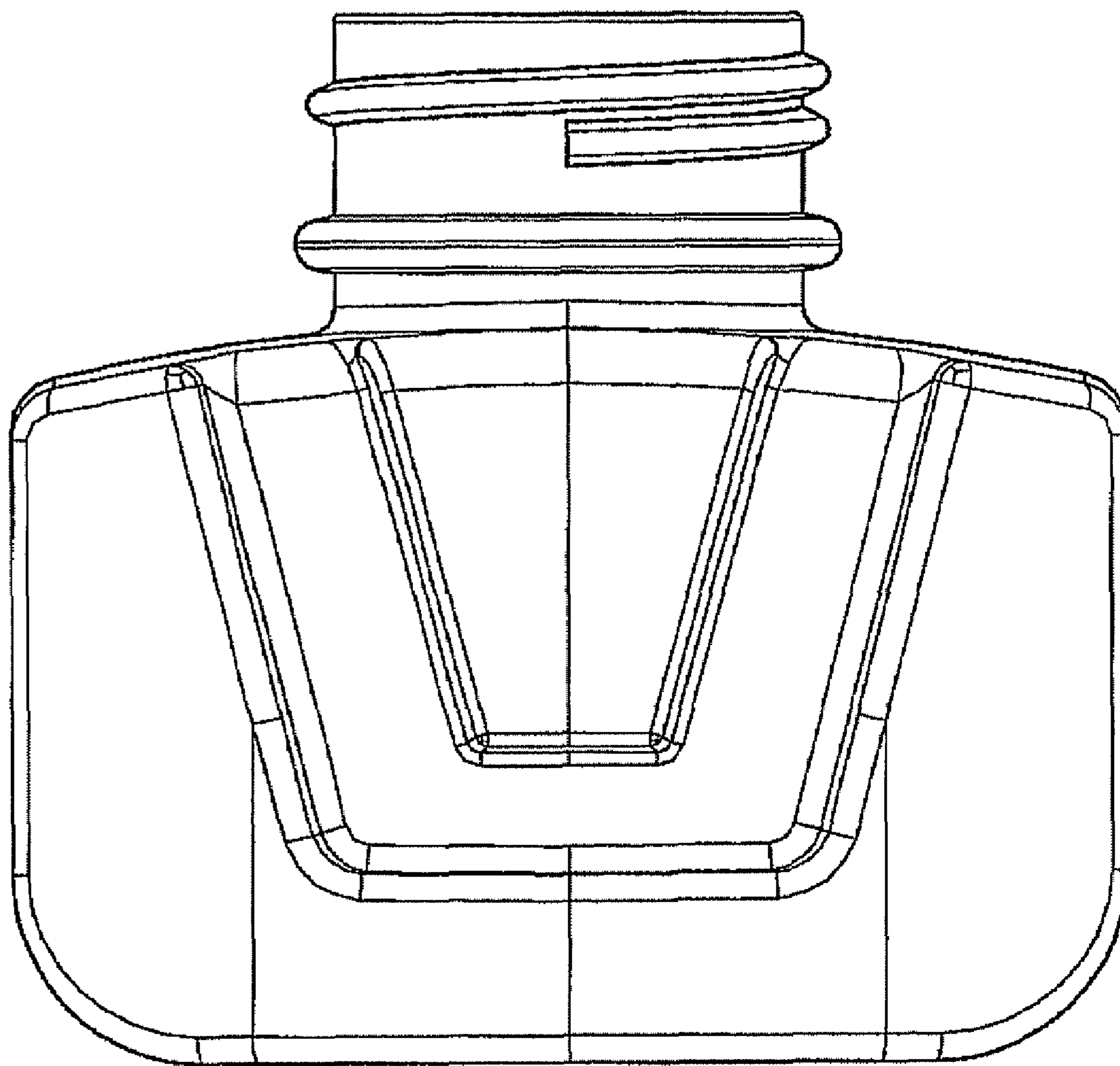
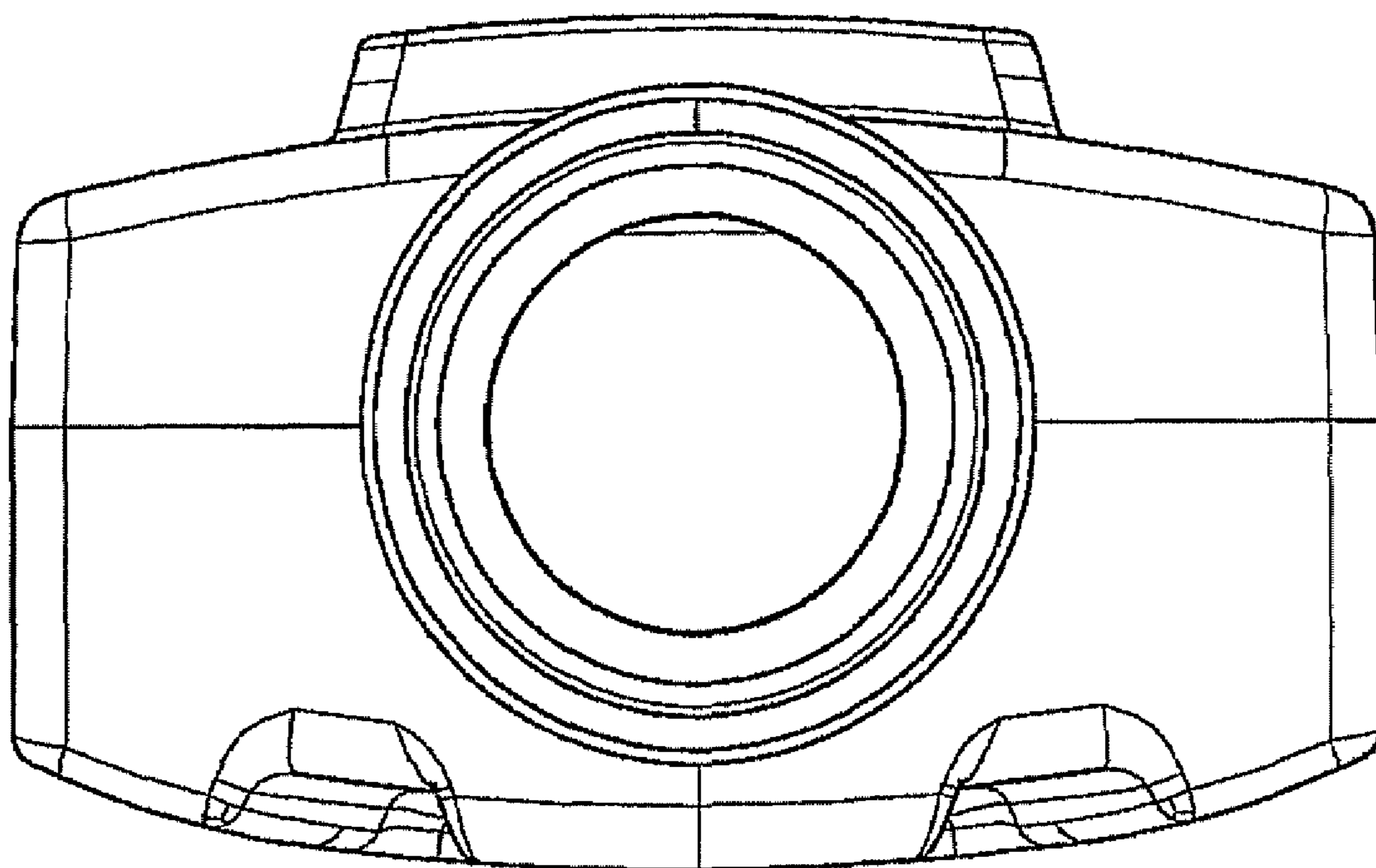
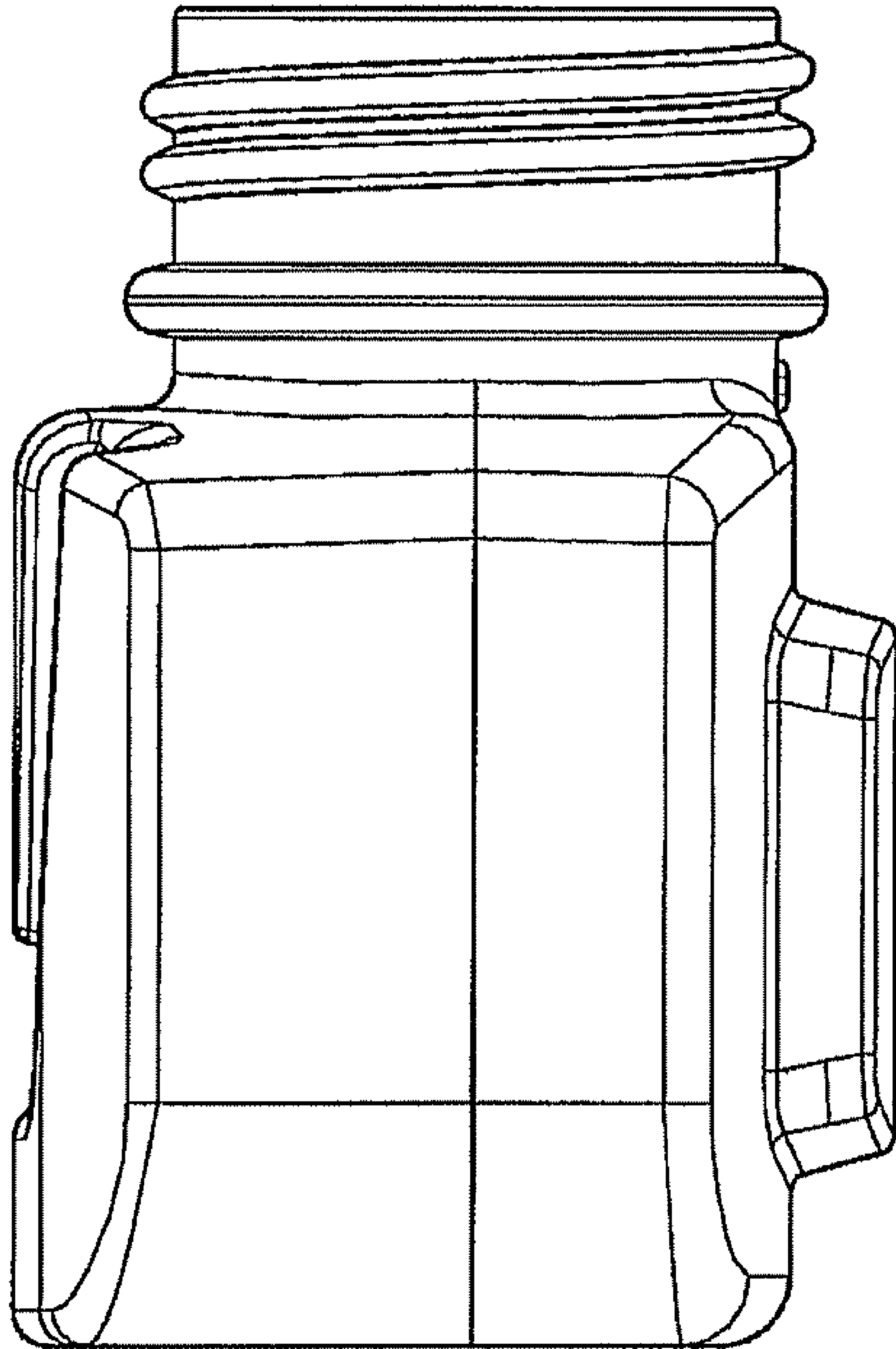


FIG. 2



**FIG. 3**



**FIG. 4**

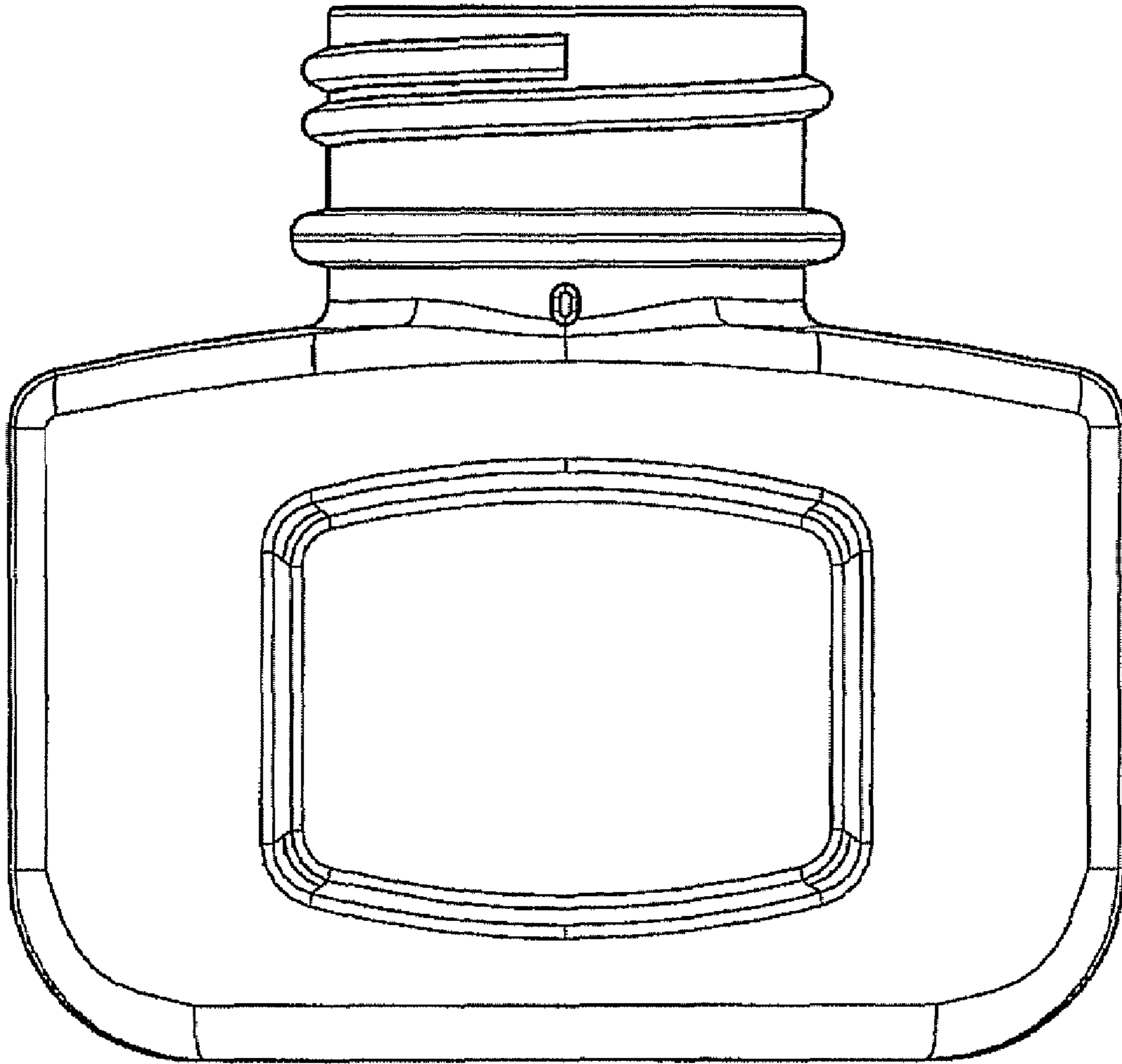
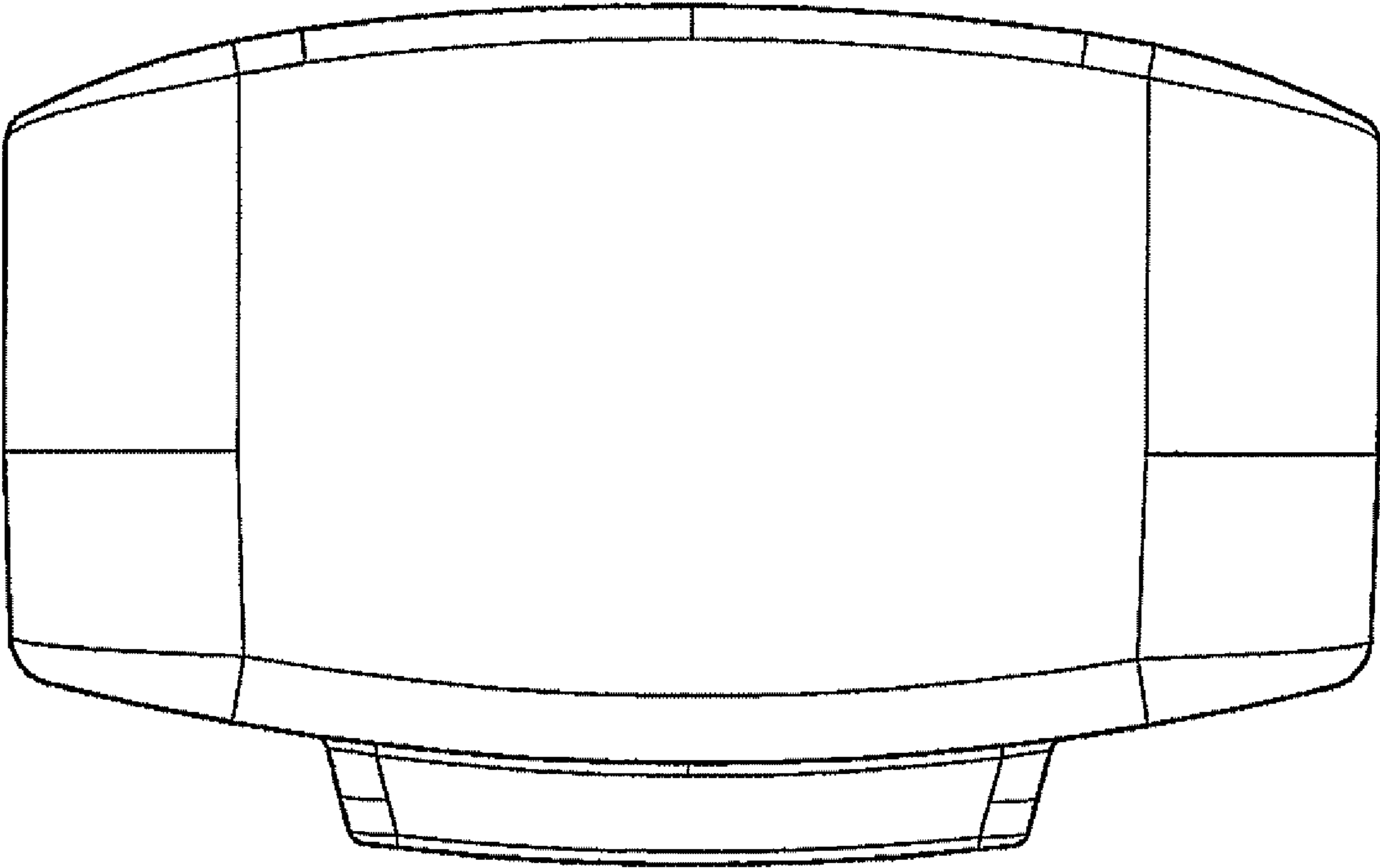


FIG. 5



**FIG. 6**

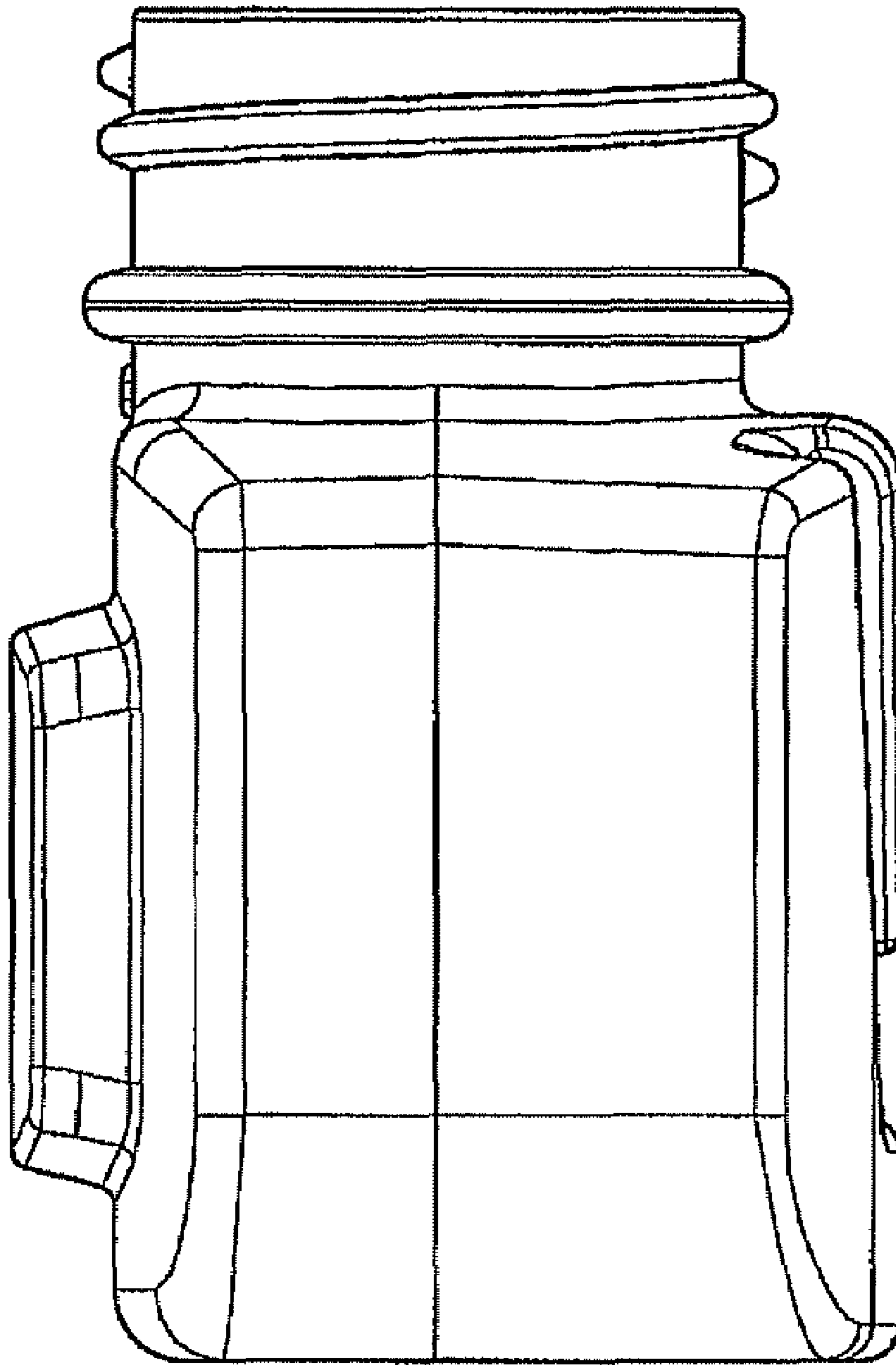


FIG. 7