



US00D604615S

(12) **United States Design Patent**  
**Doster**

(10) **Patent No.:** **US D604,615 S**

(45) **Date of Patent:** **\*\* Nov. 24, 2009**

(54) **LIGHTER TRAY**

(75) Inventor: **Gary A. Doster**, Orchard Park, NY (US)

(73) Assignee: **Zippo Manufacturing Company**,  
Bradford, PA (US)

(\*\*) Term: **14 Years**

(21) Appl. No.: **29/329,218**

(22) Filed: **Dec. 10, 2008**

(51) **LOC (9) Cl.** ..... **09-07**

(52) **U.S. Cl.** ..... **D9/456**

(58) **Field of Classification Search** ..... D9/705,  
D9/635, 520, 517, 516, 456, 455, 454, 452,  
D9/444, 445, 438, 436, 435, 434, 433, 432,  
D9/416, 499; D26/51; 428/138; 362/101;  
229/404, 128, 110, 103.3; 220/630; 206/776,  
206/755, 754, 583, 522, 453, 390, 232  
See application file for complete search history.

(56) **References Cited**

U.S. PATENT DOCUMENTS

1,666,001	A	4/1928	Catala	
D103,562	S *	3/1937	Cook	D9/455
2,657,793	A	11/1953	Goldshine	
2,932,439	A	4/1960	Sparling	
4,320,829	A	3/1982	DiMarzio et al.	
D312,895	S *	12/1990	Goetz	D30/129
5,024,328	A	6/1991	Bontrager	
D331,538	S *	12/1992	Fabre	D9/455
5,197,599	A	3/1993	Dolan	
D340,761	S *	10/1993	Long	D23/206
5,819,942	A	10/1998	Sadow	
D460,691	S *	7/2002	Morris et al.	D9/456
6,659,271	B2	12/2003	Parsons	

6,675,973	B1	1/2004	McDonald et al.	
D523,338	S *	6/2006	Hoge et al.	D9/456
7,163,152	B2	1/2007	Osborn et al.	
D539,055	S *	3/2007	Kershaw	D6/457
D539,076	S *	3/2007	Rapaz	D7/354
D541,103	S *	4/2007	Rapaz	D7/354
D548,070	S	8/2007	Swain	
D549,590	S	8/2007	Mauerhan et al.	
D563,717	S *	3/2008	Rapaz	D7/354
D567,575	S *	4/2008	Rapaz	D7/354
D585,744	S *	2/2009	Shields	D9/455

\* cited by examiner

*Primary Examiner*—Susan Bennett Hattan

(74) *Attorney, Agent, or Firm*—Baker & McKenzie LLP

(57) **CLAIM**

The ornamental design for a lighter tray, as shown and described.

**DESCRIPTION**

FIG. 1 is a perspective view of the lighter tray in accordance with my design with the I-card removed for clarity of disclosure;

FIG. 2 is a front view of the lighter tray shown in FIG. 1; the opposite view being a mirror image thereof,

FIG. 3 is a side view of the lighter tray shown in FIGS. 1–2; the opposite view being a mirror image thereof,

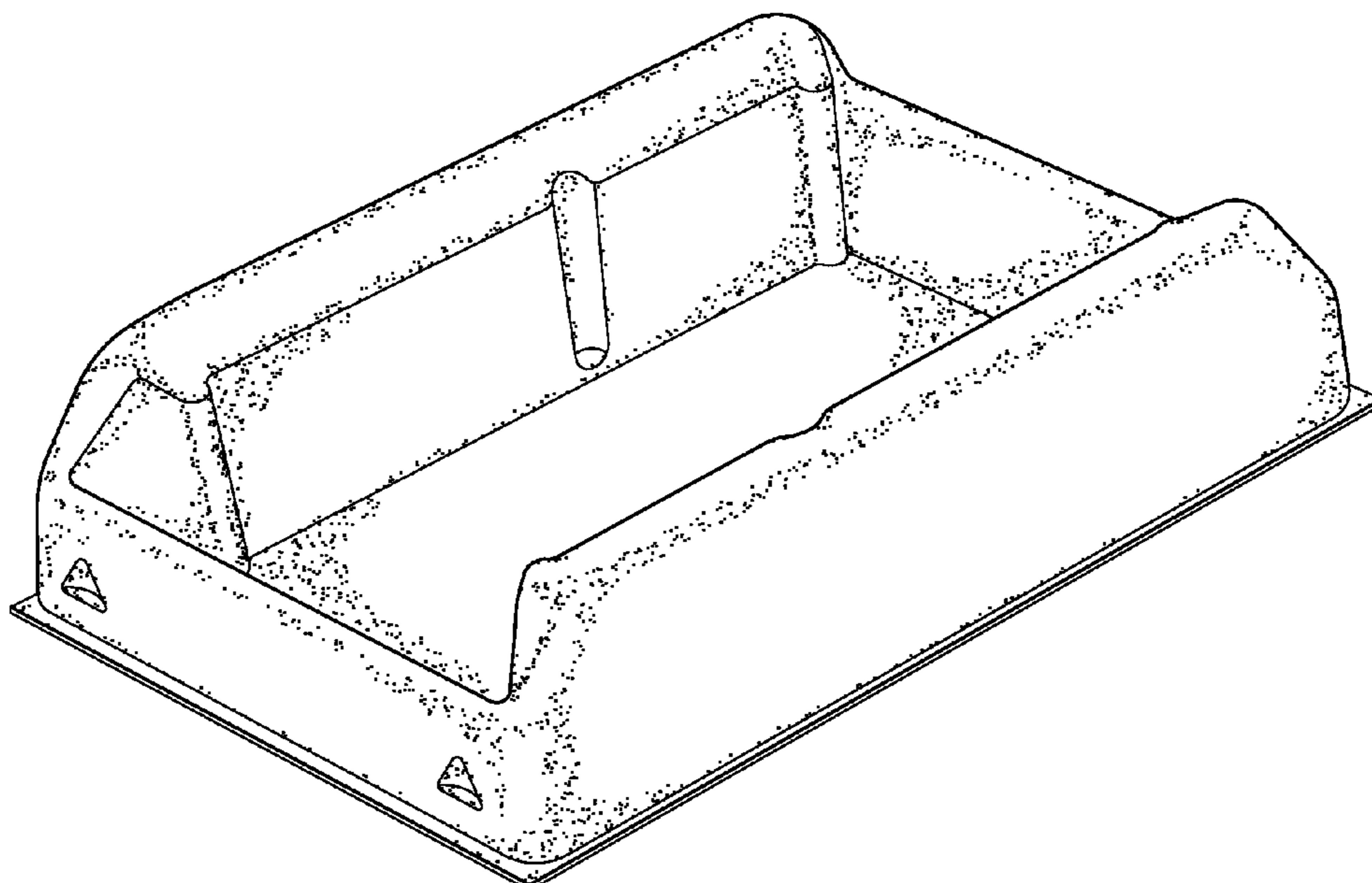
FIG. 4 is a top view of the lighter tray shown in FIGS. 1–3;

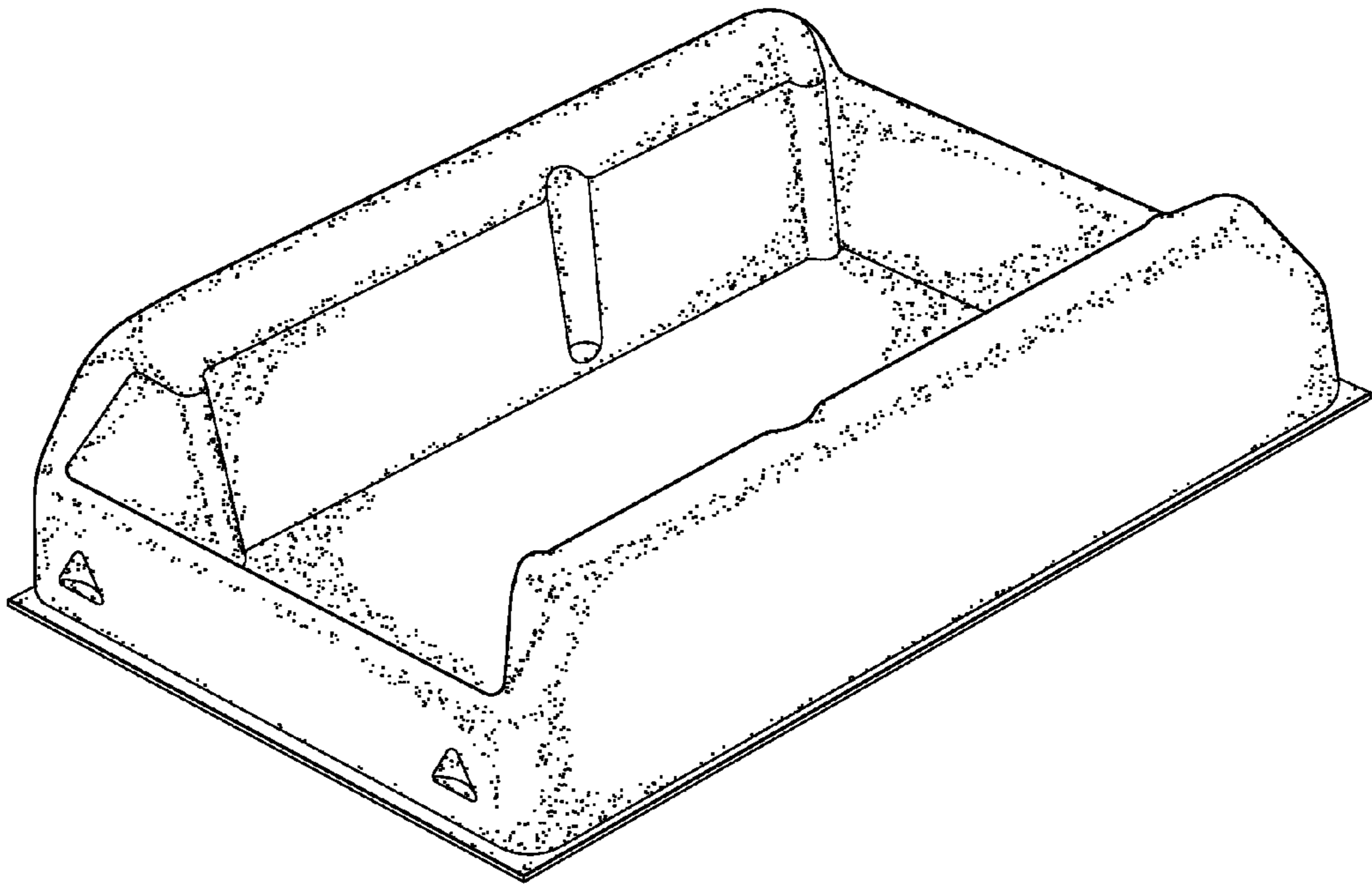
FIG. 5 is a bottom view of the lighter tray shown in FIGS. 1–4;

FIG. 6 is a perspective view of the lighter tray shown in FIGS. 1–5 with I-card; and,

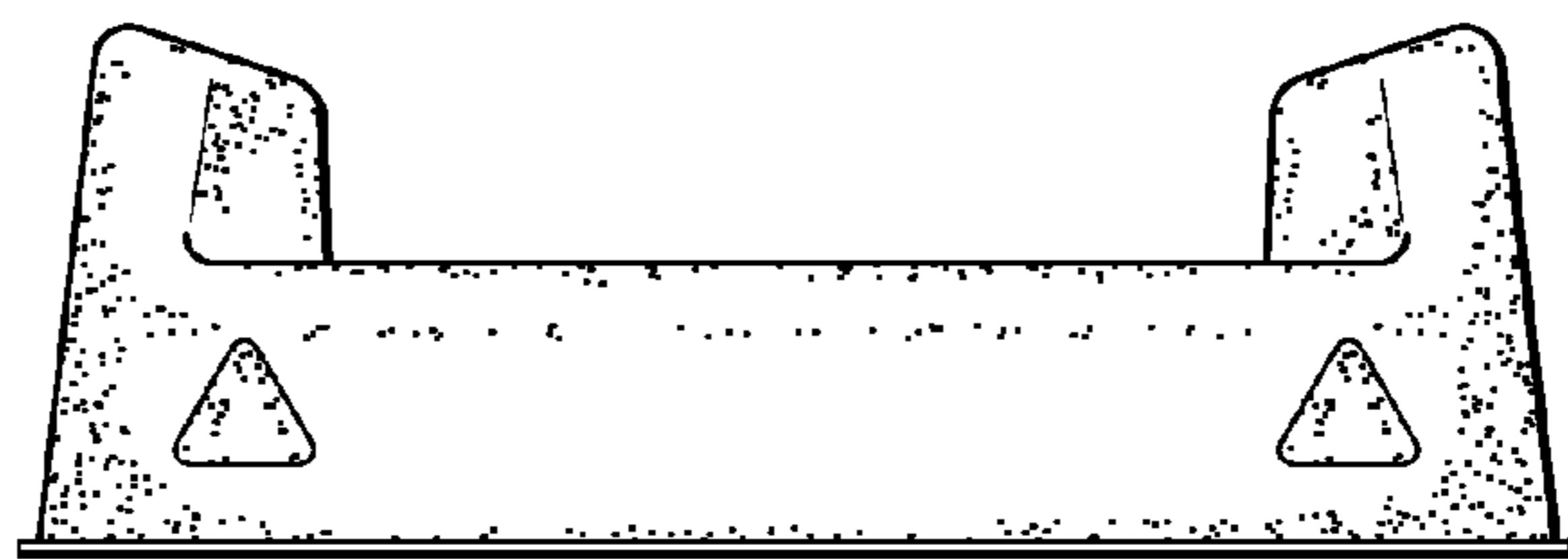
FIG. 7 is an exploded perspective view of the lighter tray and I-card shown in FIG. 6.

**1 Claim, 3 Drawing Sheets**

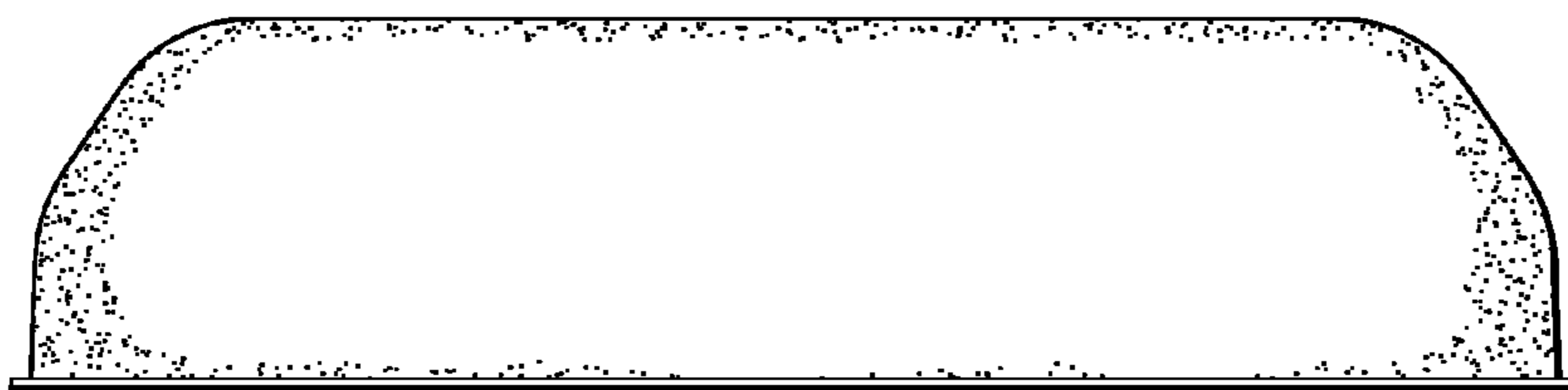




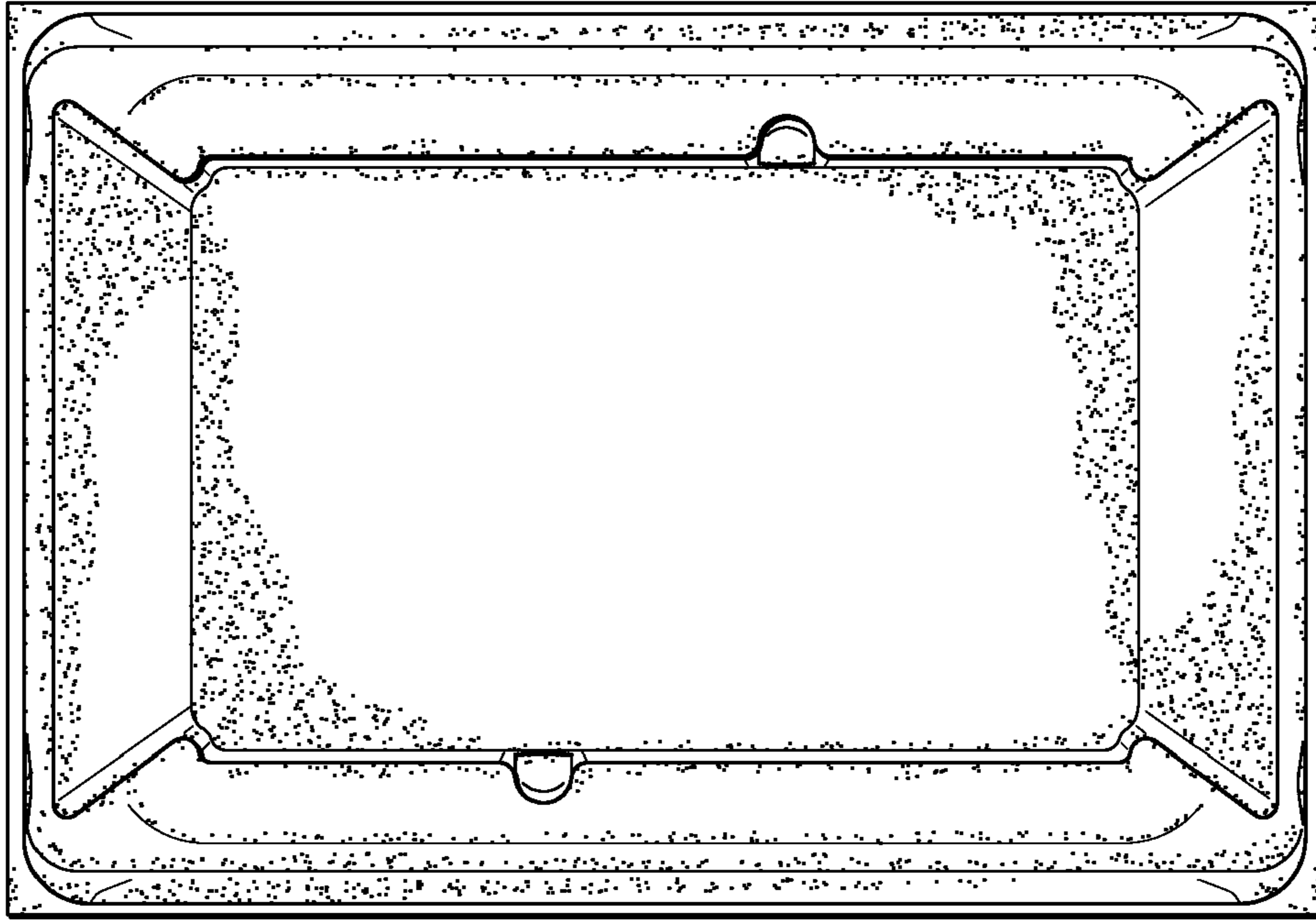
*FIG. 1*



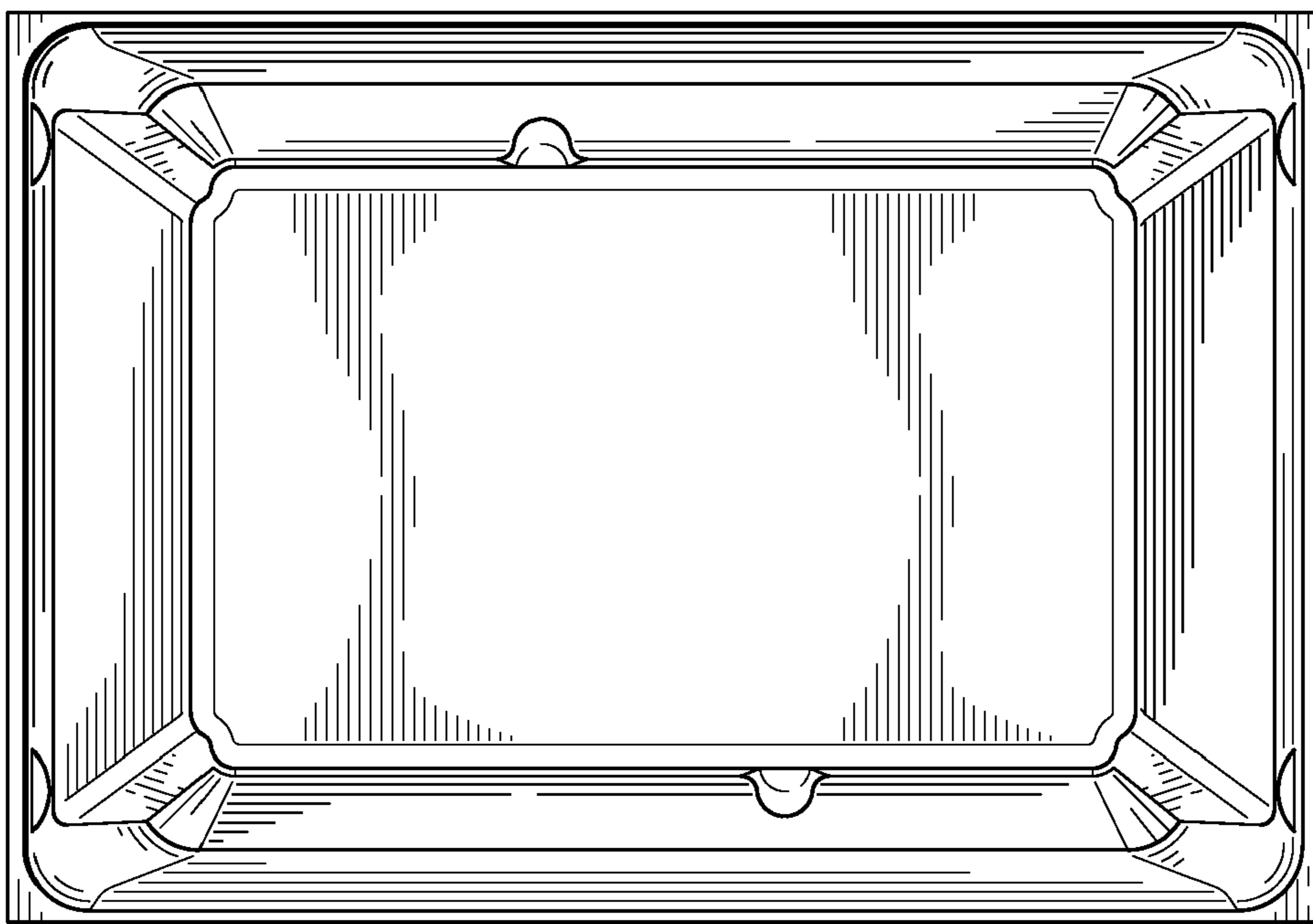
*FIG. 2*



*FIG. 3*



*FIG. 4*



*FIG. 5*



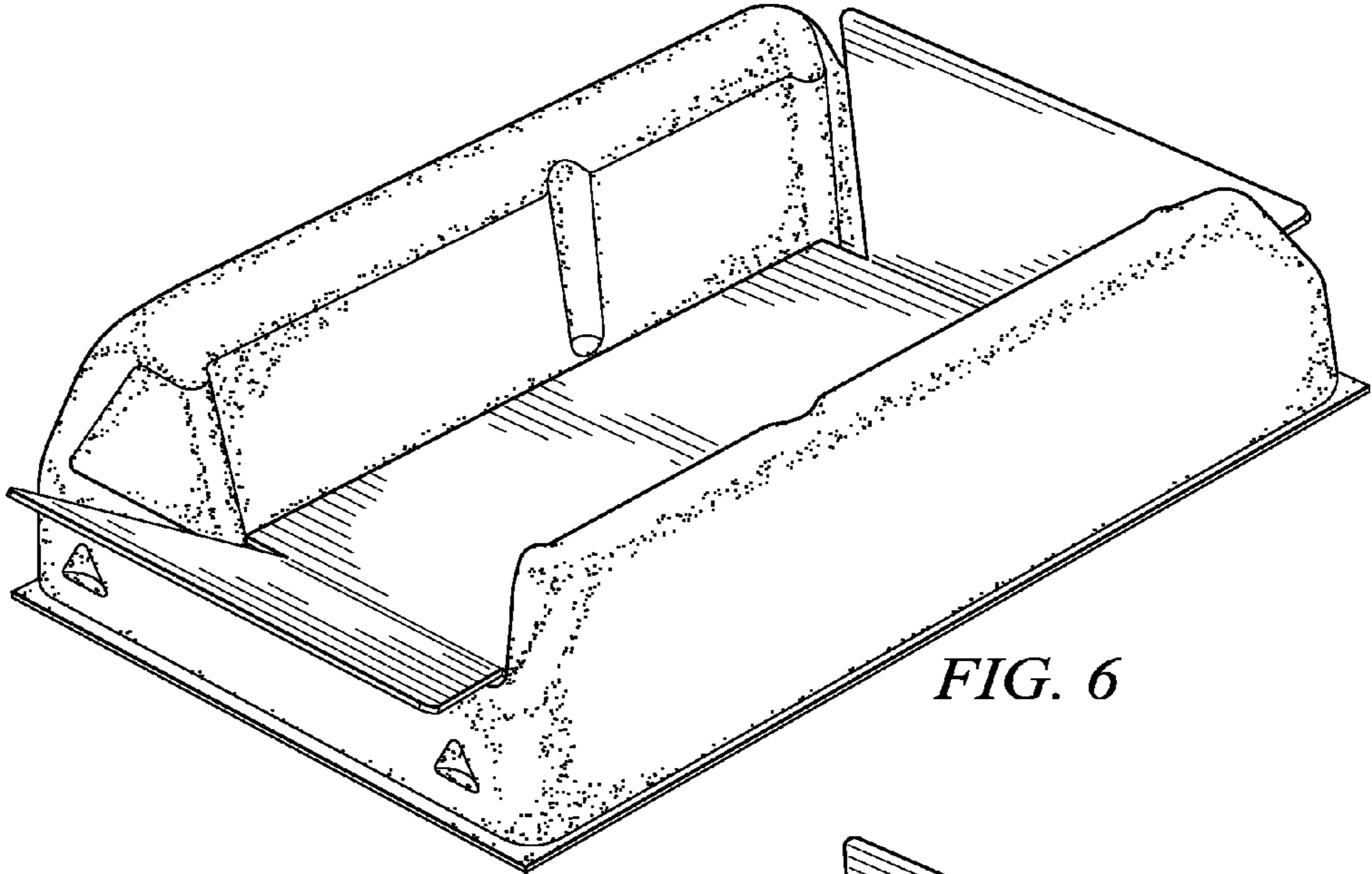


FIG. 6

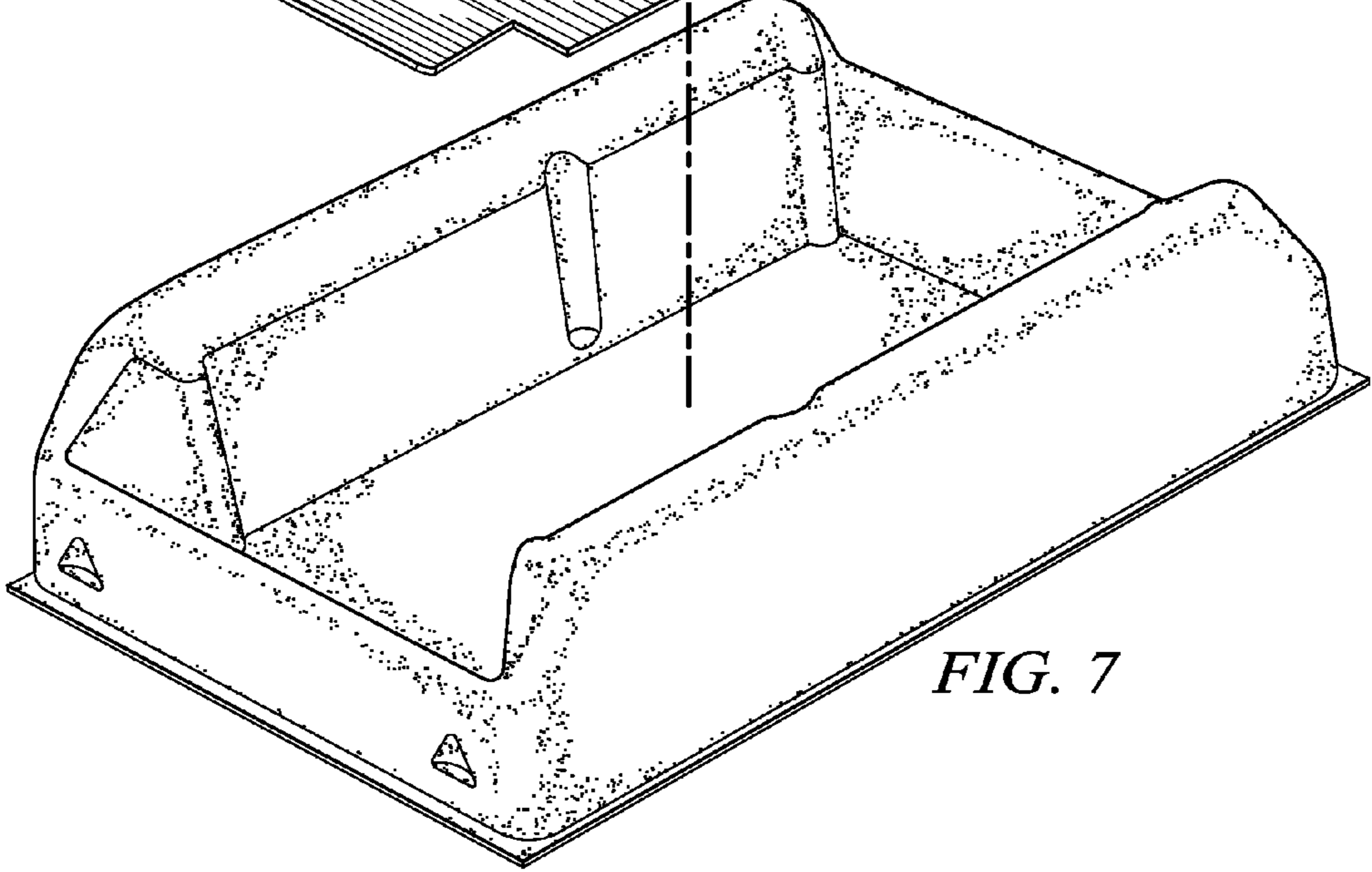
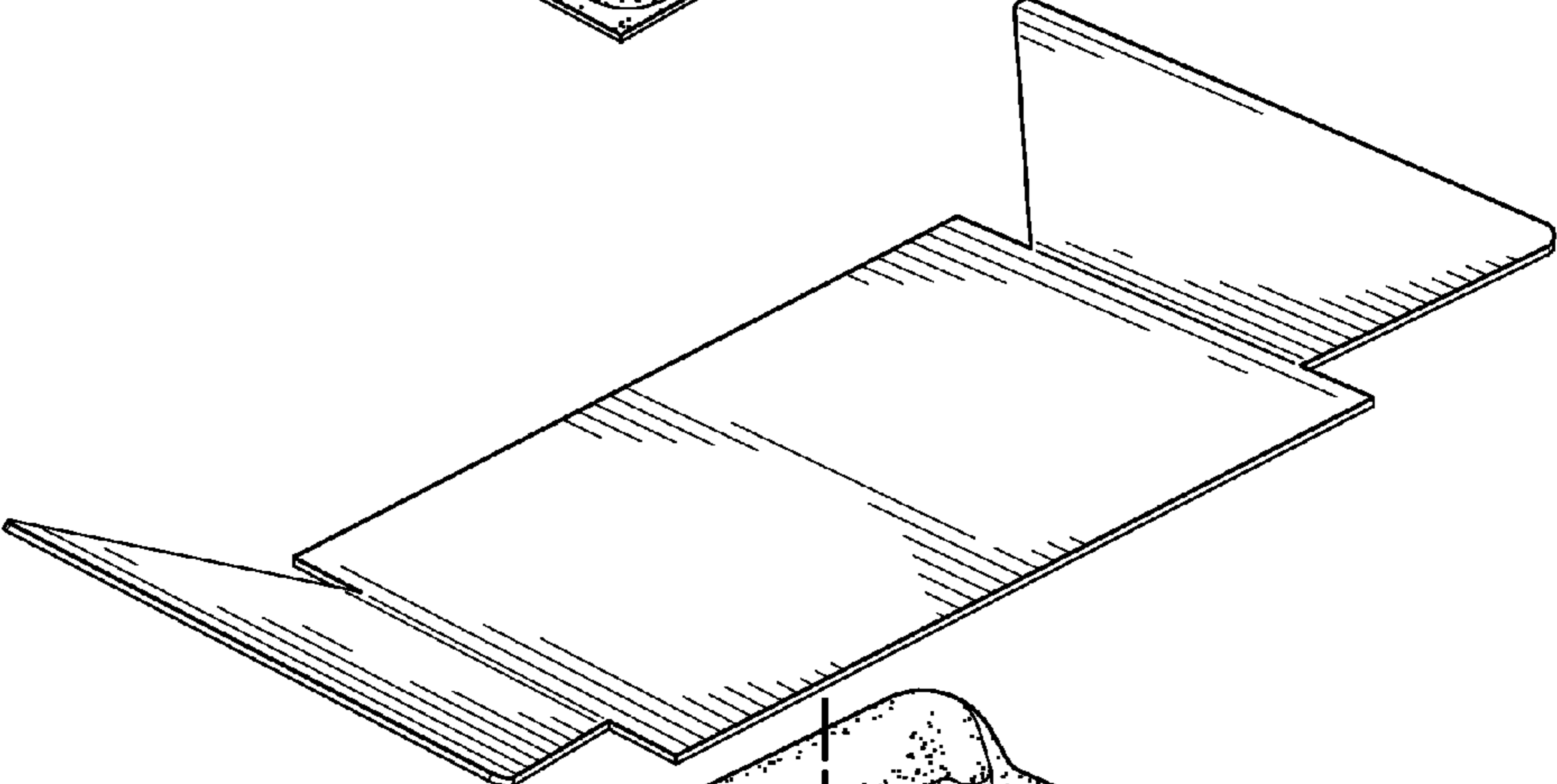


FIG. 7