



US00D604614S

(12) **United States Design Patent**
Janboecke

(10) **Patent No.:** **US D604,614 S**

(45) **Date of Patent:** **** Nov. 24, 2009**

(54) **CONNECTOR FOR MULTIPLE CONTAINERS**

(75) Inventor: **Sarah Janboecke**, Essen (DE)

(73) Assignee: **Ball Packaging Europe GmbH**,
Ratingen (DE)

(**) Term: **14 Years**

(21) Appl. No.: **29/336,701**

(22) Filed: **May 7, 2009**

(30) **Foreign Application Priority Data**

Nov. 7, 2008 (DE) 40 2008 481

(51) **LOC (9) Cl.** **09-07**

(52) **U.S. Cl.** **D9/454**

(58) **Field of Classification Search** D9/705,
D9/635, 520, 517, 516, 456, 455, 454, 452,
D9/444, 445, 438, 436, 435, 434, 433, 432,
D9/416.499; D26/51; 428/138; 362/101;
229/404, 128, 110, 103.3; 220/630; 206/776,
206/755, 754, 583, 522, 453, 390, 232; D8/396,
D8/394, 382; D7/624.2, 602; D23/262;
D11/86

See application file for complete search history.

(56) **References Cited**

U.S. PATENT DOCUMENTS

D25,709 S * 6/1896 Pratt D23/262
2,683,579 A * 7/1954 Wallace 248/146
3,217,917 A * 11/1965 George 215/386
3,419,240 A * 12/1968 Santic 220/632
5,285,996 A * 2/1994 Waller 248/687
5,385,257 A * 1/1995 Hung 220/324
5,413,502 A * 5/1995 Wang 439/551
D360,018 S * 7/1995 Sonden et al. D23/262
D383,195 S * 9/1997 Sonden et al. D23/262
5,842,675 A * 12/1998 Davitt 248/346.5
D466,652 S * 12/2002 Thurman D23/393
D474,404 S * 5/2003 Tropeano D9/455
D480,969 S * 10/2003 Owens D9/455

D504,503 S * 4/2005 Thurman D23/393
D515,353 S * 2/2006 Martin D7/392.1
D516,697 S * 3/2006 Stout et al. D23/393
D529,598 S * 10/2006 Sandman et al. D23/393
D571,440 S * 6/2008 Kanao D23/262
D589,126 S * 3/2009 Concannon D23/262
2004/0183304 A1 * 9/2004 Hsu 285/373

* cited by examiner

Primary Examiner—Susan Bennett Hattan

(74) *Attorney, Agent, or Firm*—Sheridan Ross P.C.

(57) **CLAIM**

The ornamental design for connector for multiple containers, as shown and described.

DESCRIPTION

FIG. 1 is a perspective view of a connector for multiple containers;

FIG. 2 is a front elevation view thereof, the rear elevation, left elevation and right elevation views being identical thereto;

FIG. 3 is a top plan view thereof;

FIG. 4 is a bottom plan view thereof;

FIG. 5 is a perspective view of the connector for multiple containers associated with a container;

FIG. 6 is a perspective view of the connector for multiple containers associated with two containers;

FIG. 7 is a perspective view of a connector for multiple containers of another embodiment of the claimed design, the only difference being the addition of a diaphragm dividing an internal bore of the connector for multiple containers;

FIG. 8 is a top plan view thereof; and,

FIG. 9 is a perspective view of thereof associated with a container.

The broken line showing of a container or containers is for the purpose of illustrating environmental structure and forms no part of the claimed design.

1 Claim, 4 Drawing Sheets

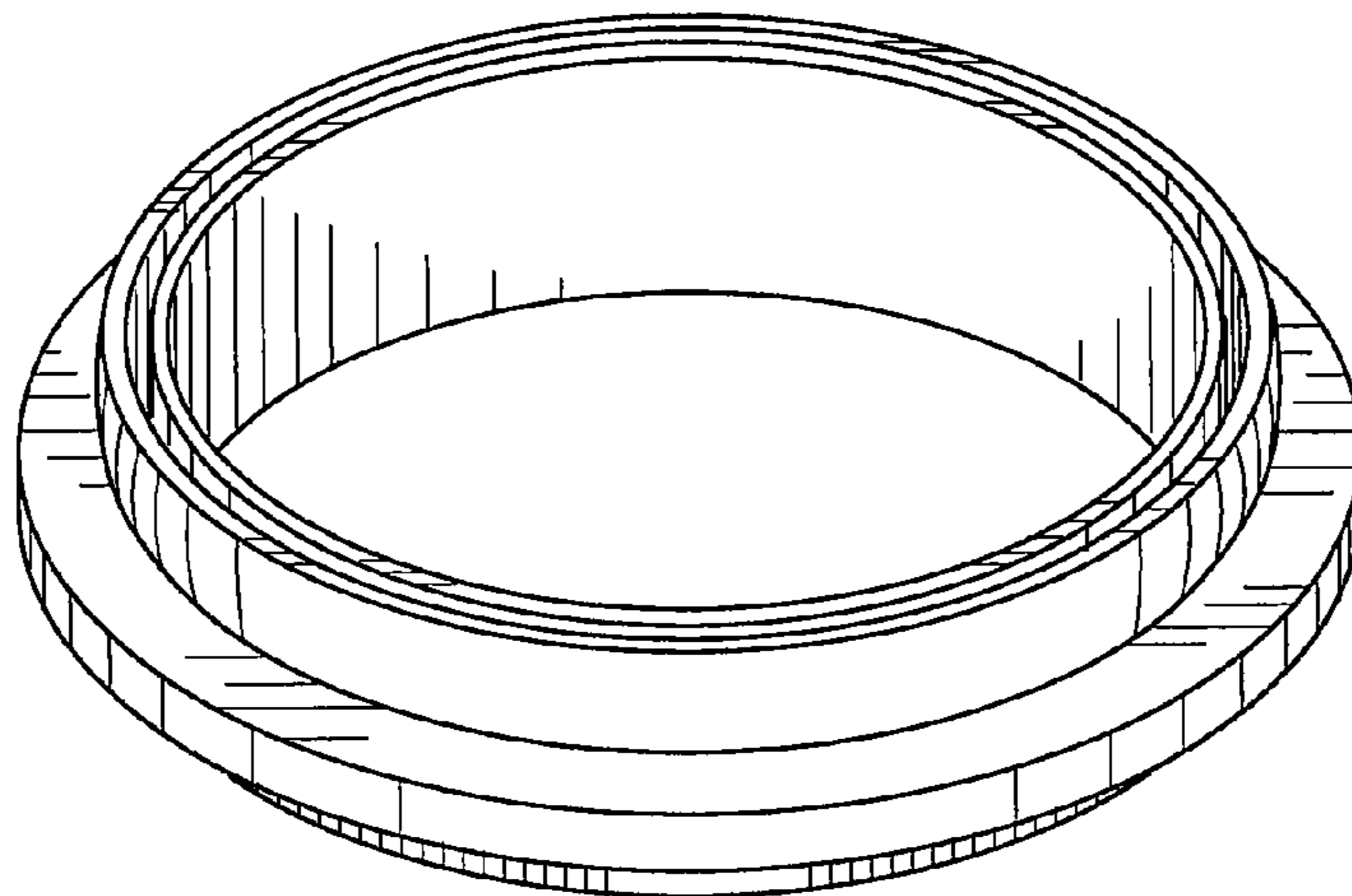


Fig. 1

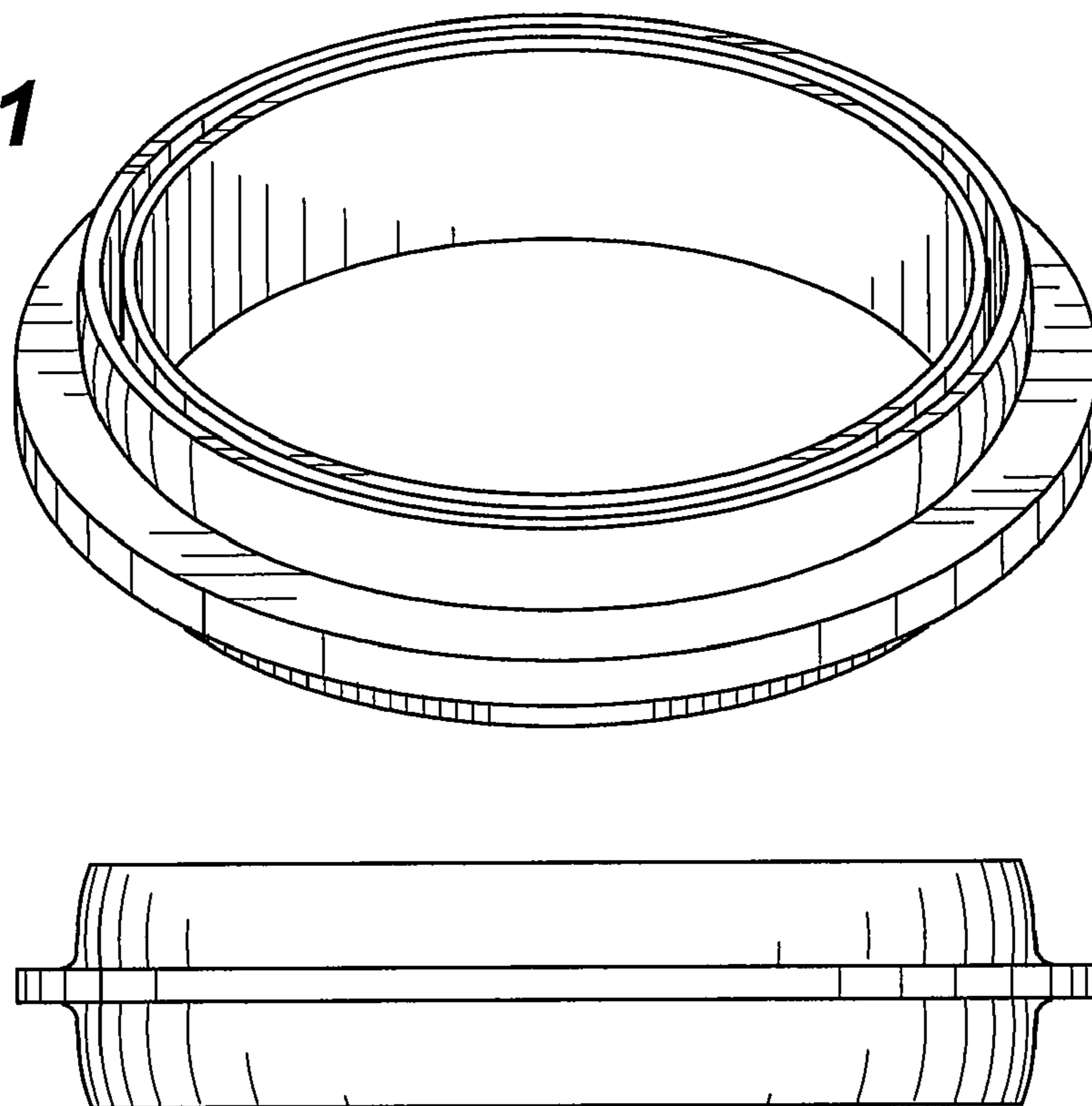


Fig. 2

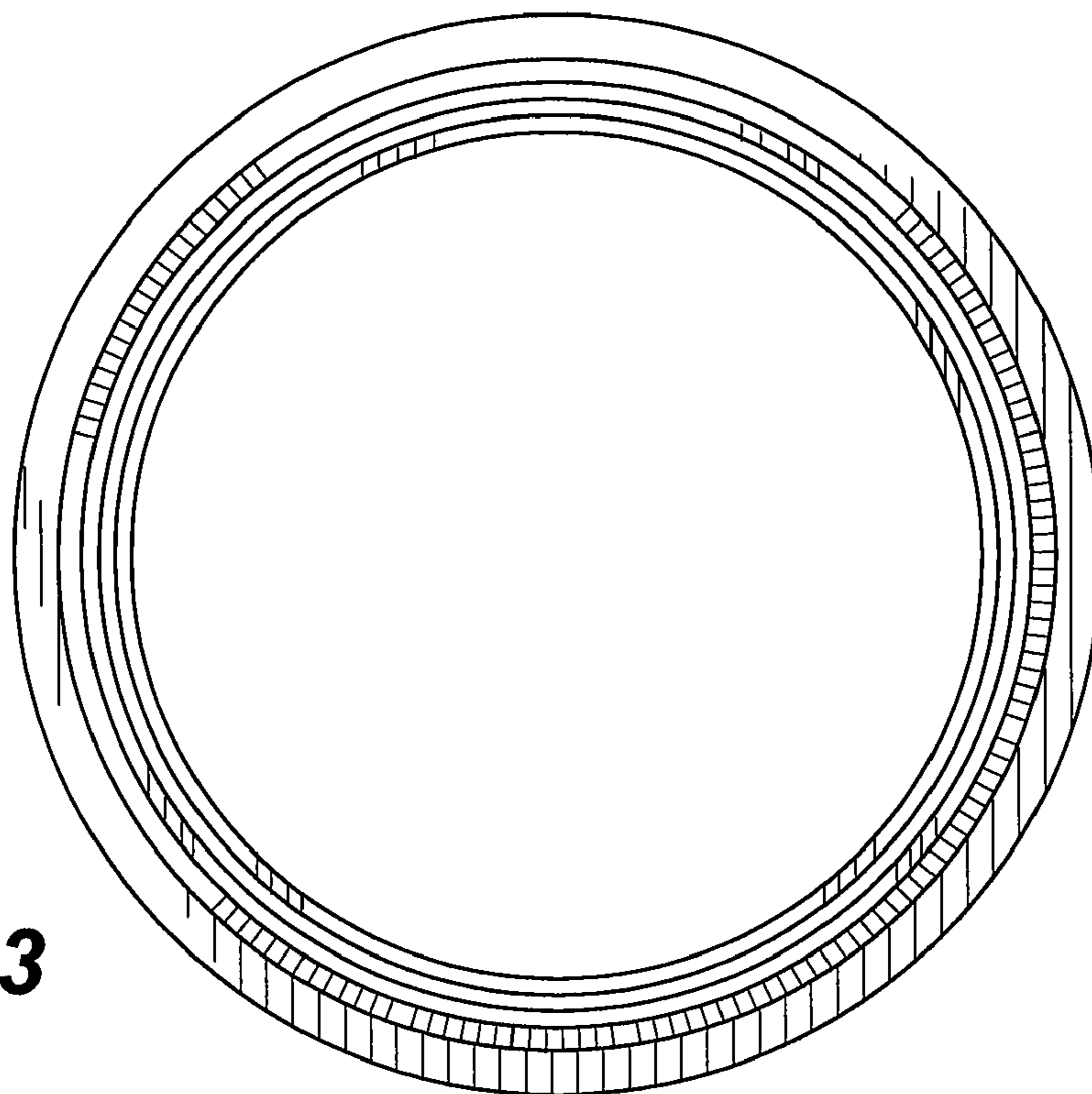


Fig. 3

Fig. 4

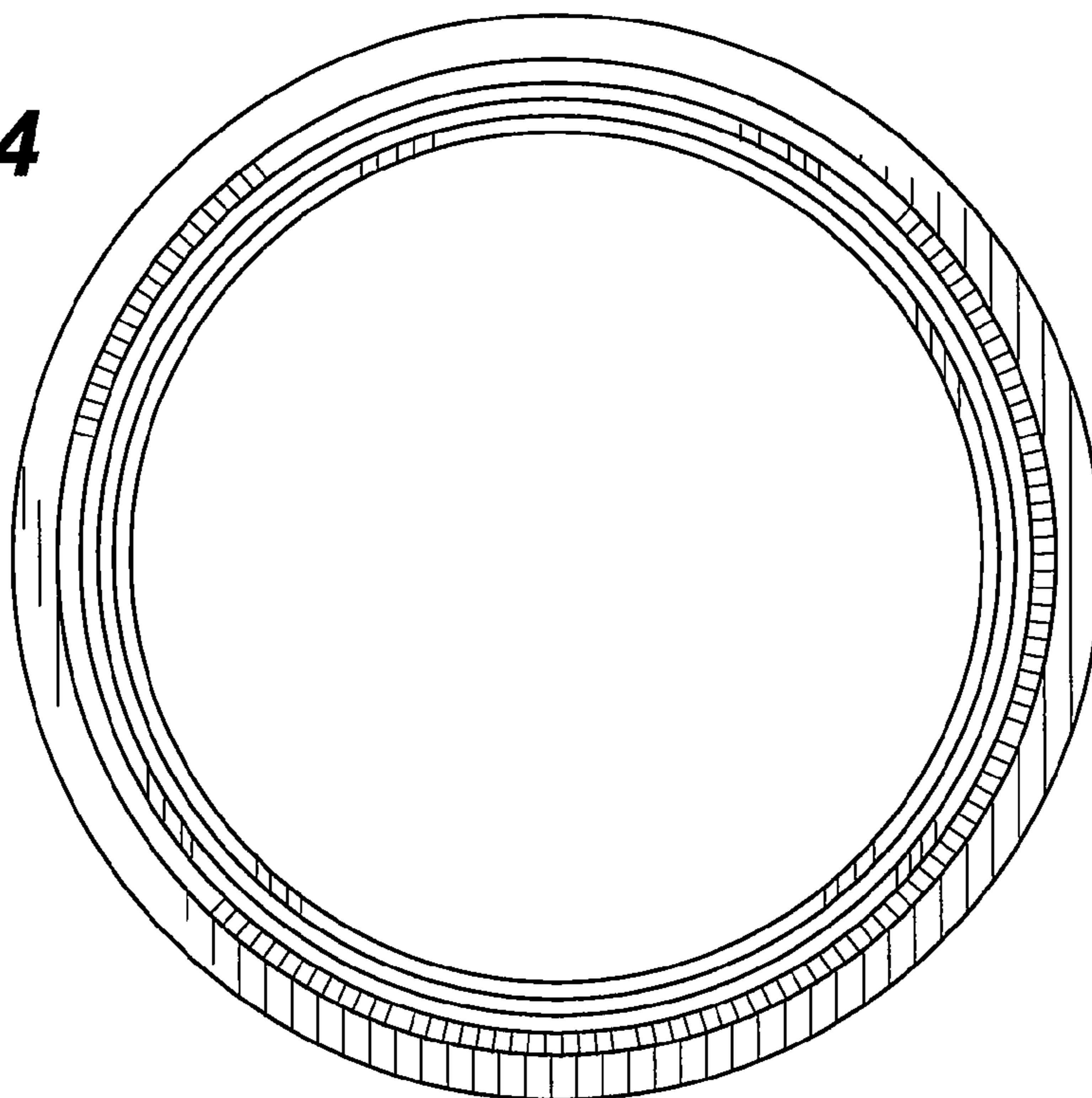
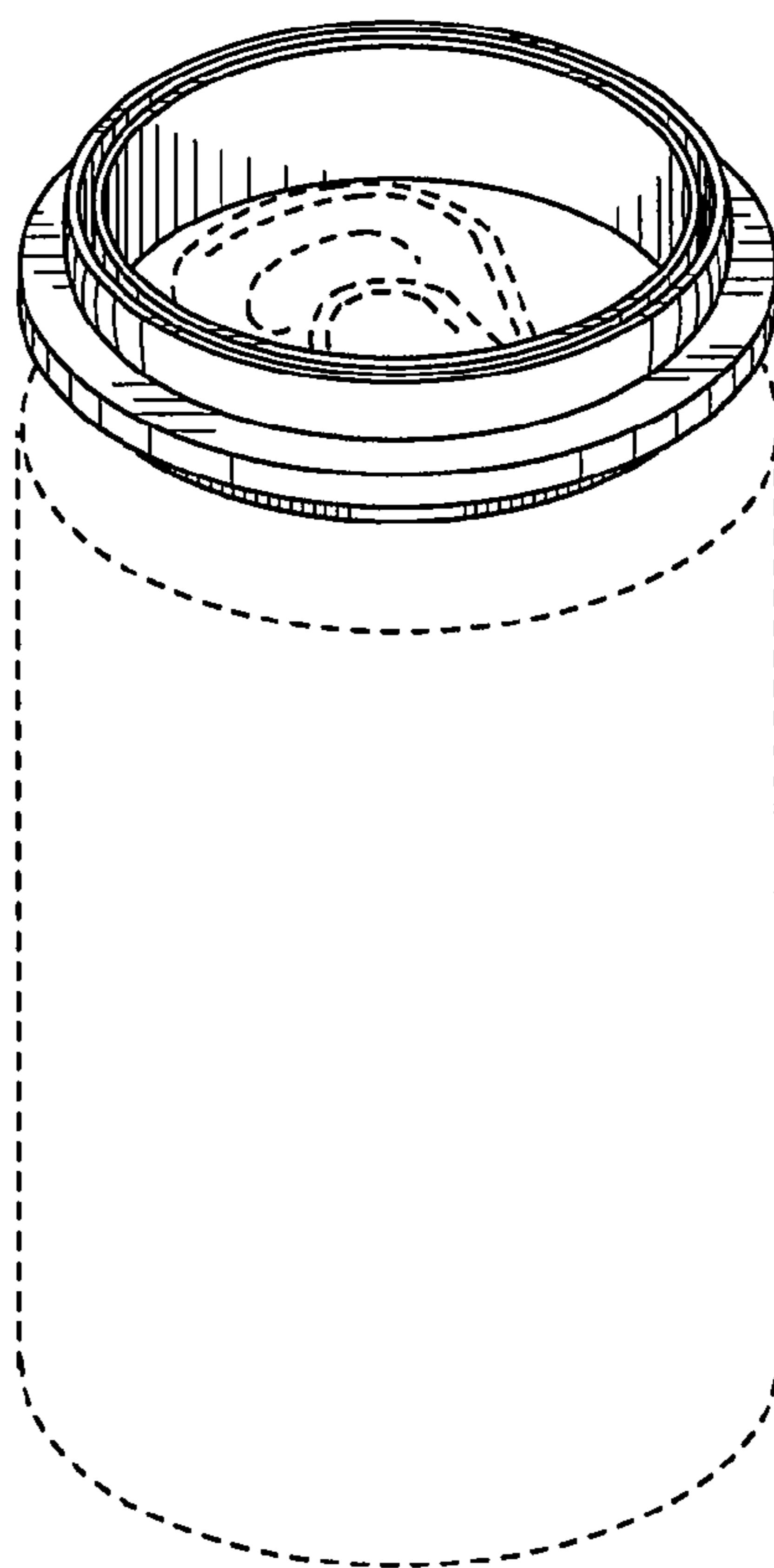


Fig. 5



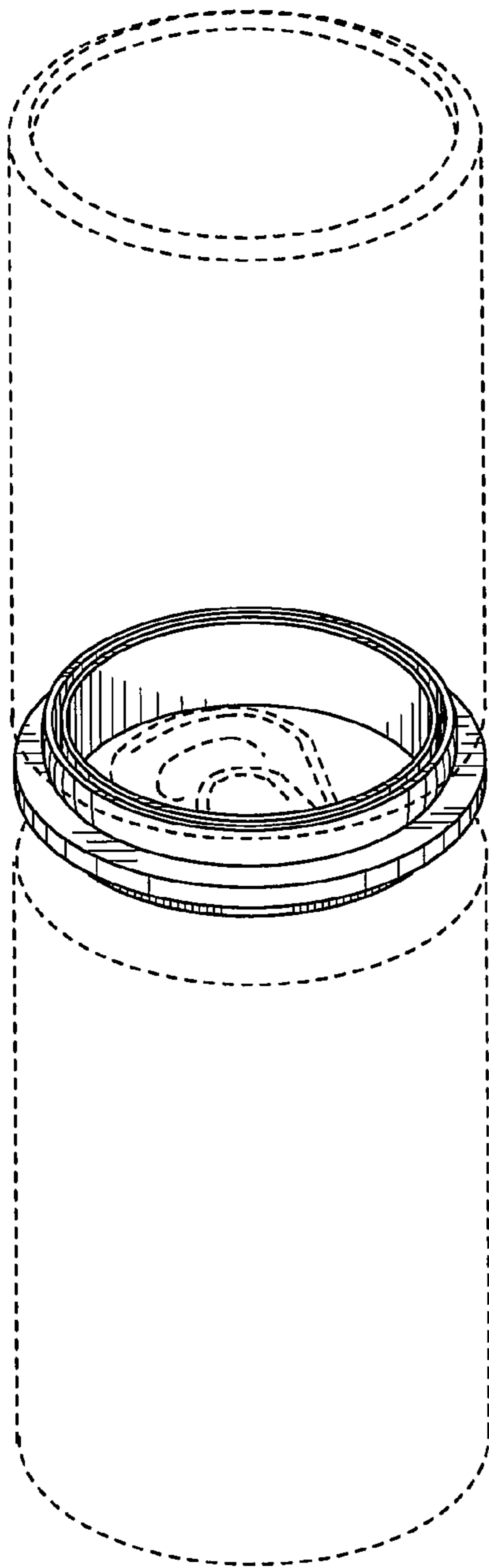


Fig. 6

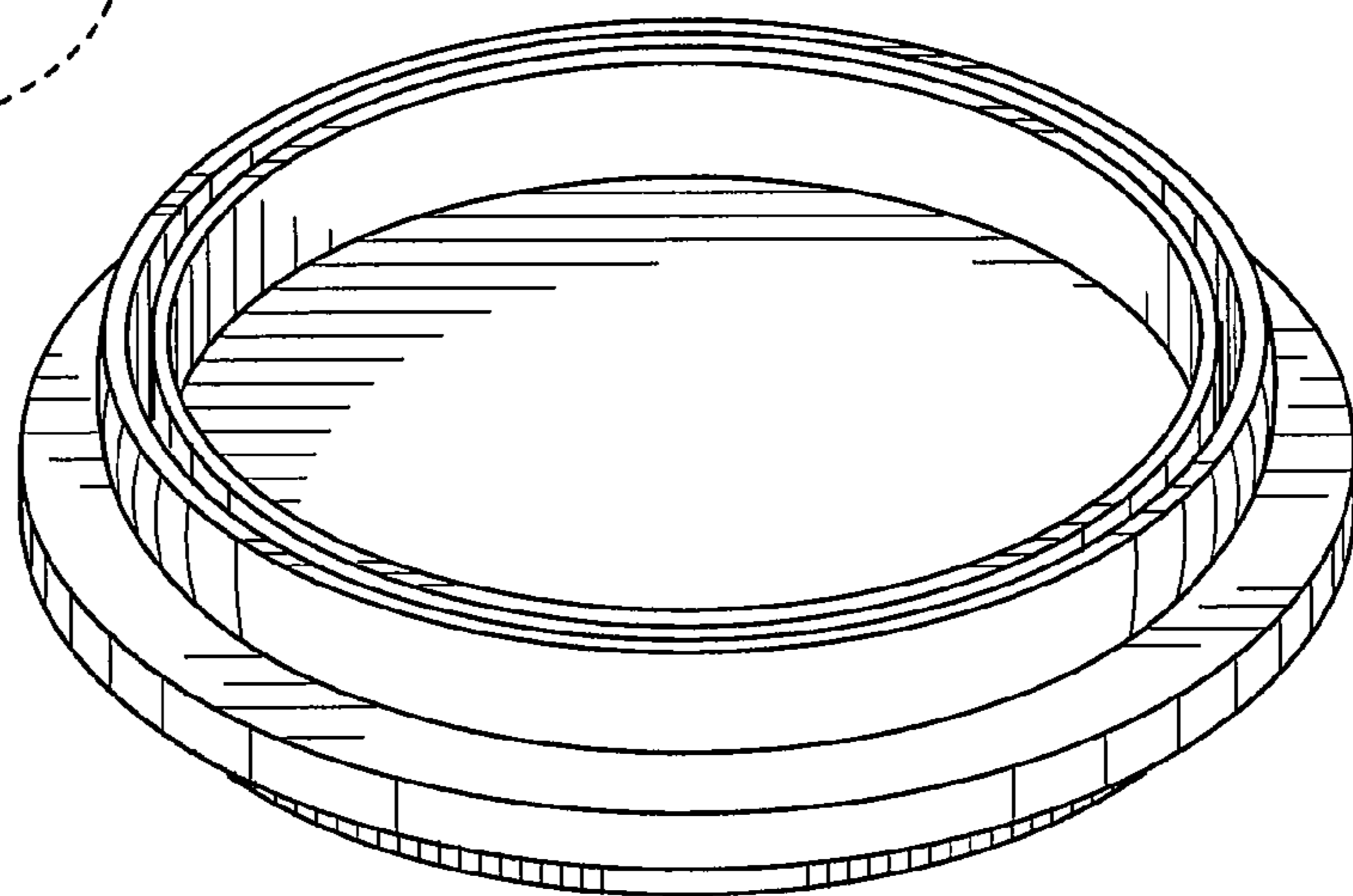


Fig. 7

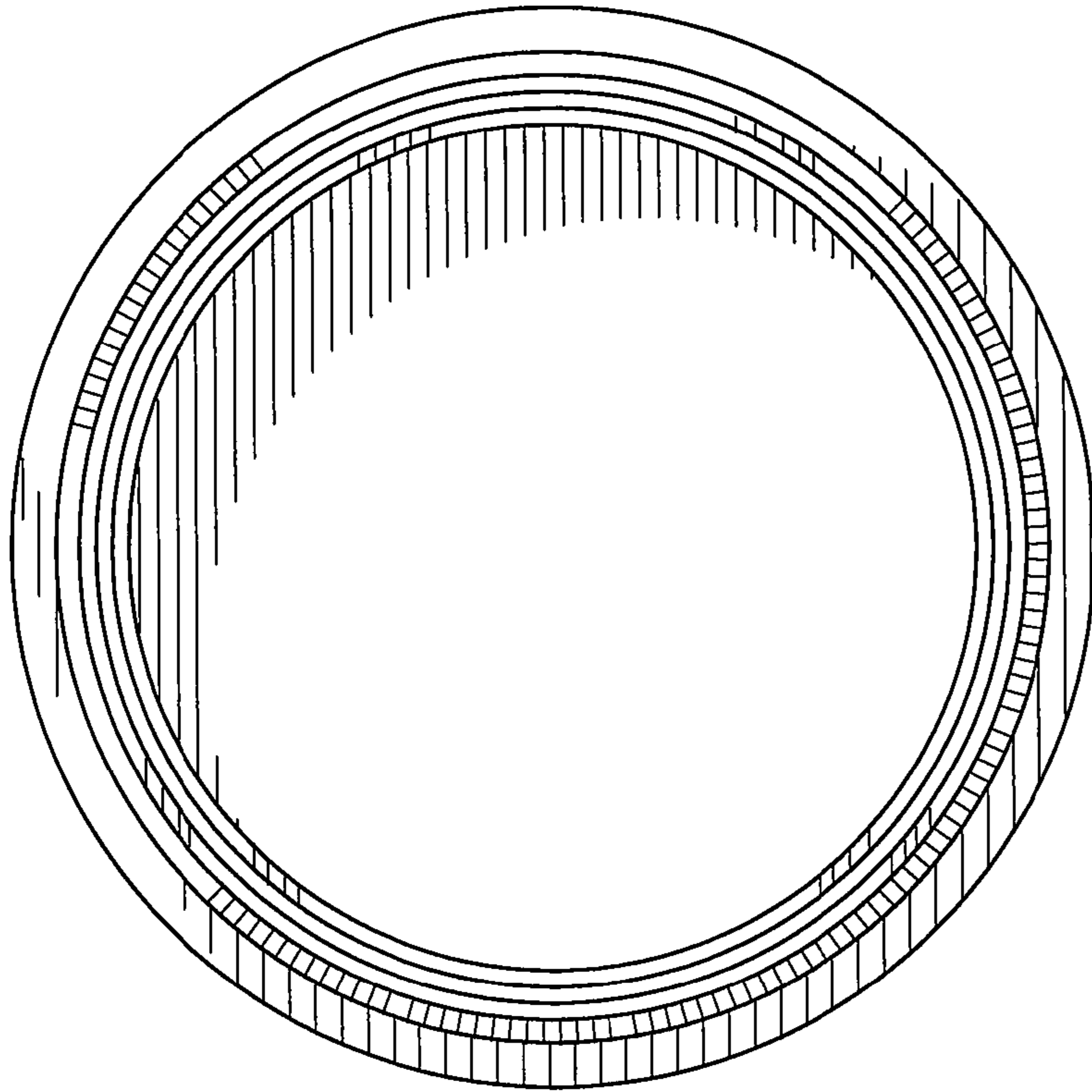


Fig. 8

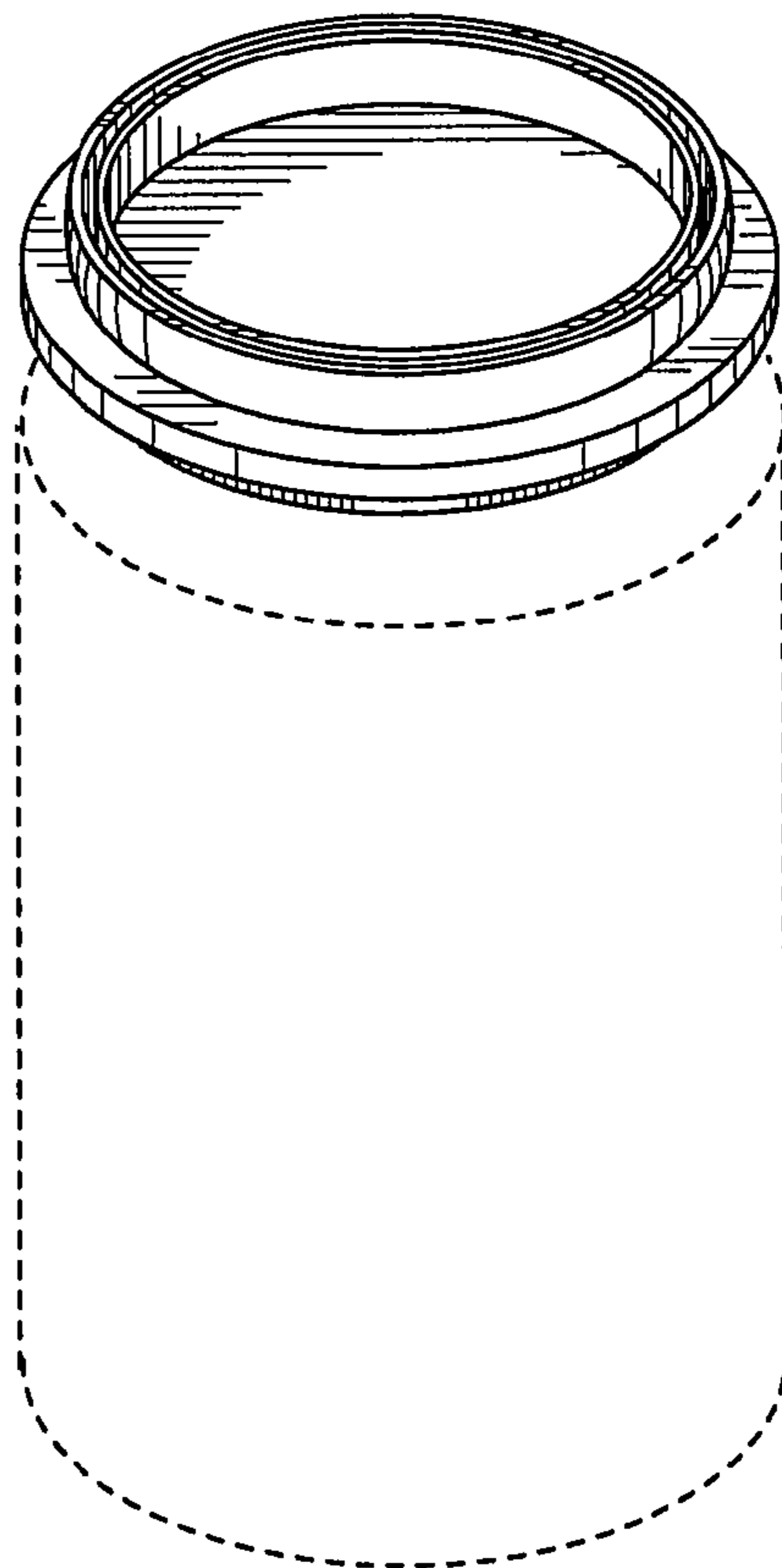


Fig. 9