



US00D604612S

(12) **United States Design Patent**  
**Germann**

(10) **Patent No.:** **US D604,612 S**

(45) **Date of Patent:** **\*\* Nov. 24, 2009**

(54) **BOTTLE ADAPTER**

(75) Inventor: **Andreas Germann**, Schersingen (CH)

(73) Assignee: **Sigg Switzerland AG**, Frauenfeld (CH)

(\*\*) Term: **14 Years**

(21) Appl. No.: **29/326,816**

(22) Filed: **Oct. 24, 2008**

(30) **Foreign Application Priority Data**

Apr. 24, 2008 (CH) ..... 135074

(51) **LOC (9) Cl.** ..... **09-07**

(52) **U.S. Cl.** ..... **D9/453; D9/454; D9/447**

(58) **Field of Classification Search** ..... D9/902,  
D9/763, 516, 453, 447, 438, 435, 440, 439,  
D9/436; D7/510, 396.2; D28/7; D24/224,  
D24/130, 112; D23/206; D10/101; 604/228;  
222/82, 566, 539, 529, 526, 521, 478, 321.6,  
222/153.13, 158; 221/63, 45; 220/716, 270;  
215/257; 206/219

See application file for complete search history.

(56) **References Cited**

**U.S. PATENT DOCUMENTS**

3,199,750 A \* 8/1965 Livingstone ..... 222/529  
3,374,921 A \* 3/1968 Kelley ..... 220/791  
D262,192 S \* 12/1981 Wedge ..... D9/435  
D322,940 S \* 1/1992 Rivera ..... D9/435

5,845,805 A \* 12/1998 Ragland ..... 220/573.3  
D415,027 S \* 10/1999 Blazar ..... D9/447  
D421,222 S \* 2/2000 Boyer et al. .... D9/447  
D468,206 S \* 1/2003 Weiss et al. .... D9/447  
D481,801 S \* 11/2003 Whitley ..... D24/224  
D489,611 S \* 5/2004 Monsanty ..... D9/435  
D516,911 S \* 3/2006 Bloom et al. .... D9/453  
D518,728 S \* 4/2006 Frantz ..... D9/504  
D525,127 S \* 7/2006 Cogley et al. .... D9/456  
D571,199 S \* 6/2008 Petrosino et al. .... D9/435  
D571,201 S \* 6/2008 Petrosino et al. .... D9/436  
D573,881 S \* 7/2008 Decker et al. .... D9/452  
D574,238 S \* 8/2008 Walker et al. .... D9/452

\* cited by examiner

*Primary Examiner*—Susan Bennett Hattan

(74) *Attorney, Agent, or Firm*—Pearne & Gordon LLP

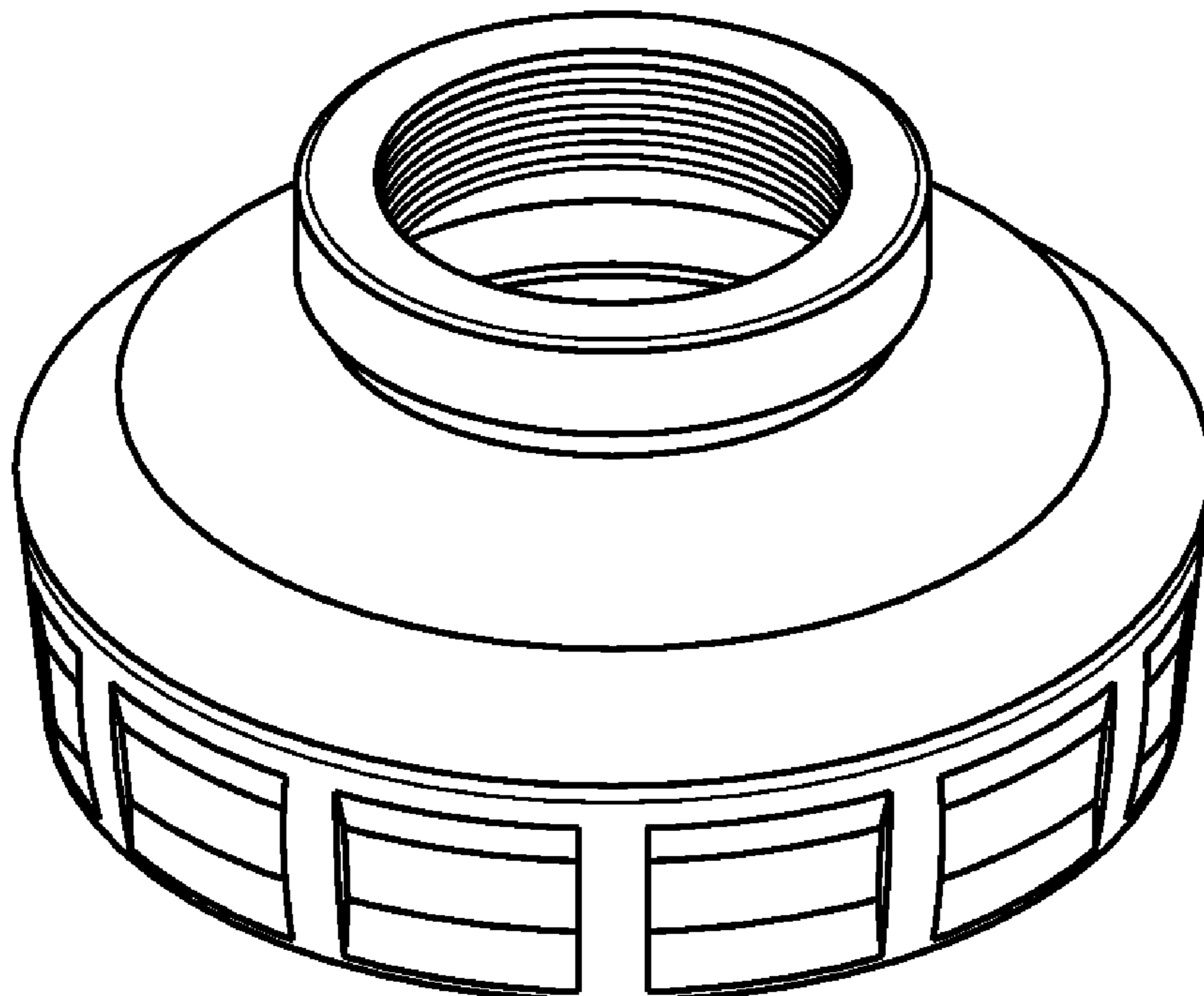
(57) **CLAIM**

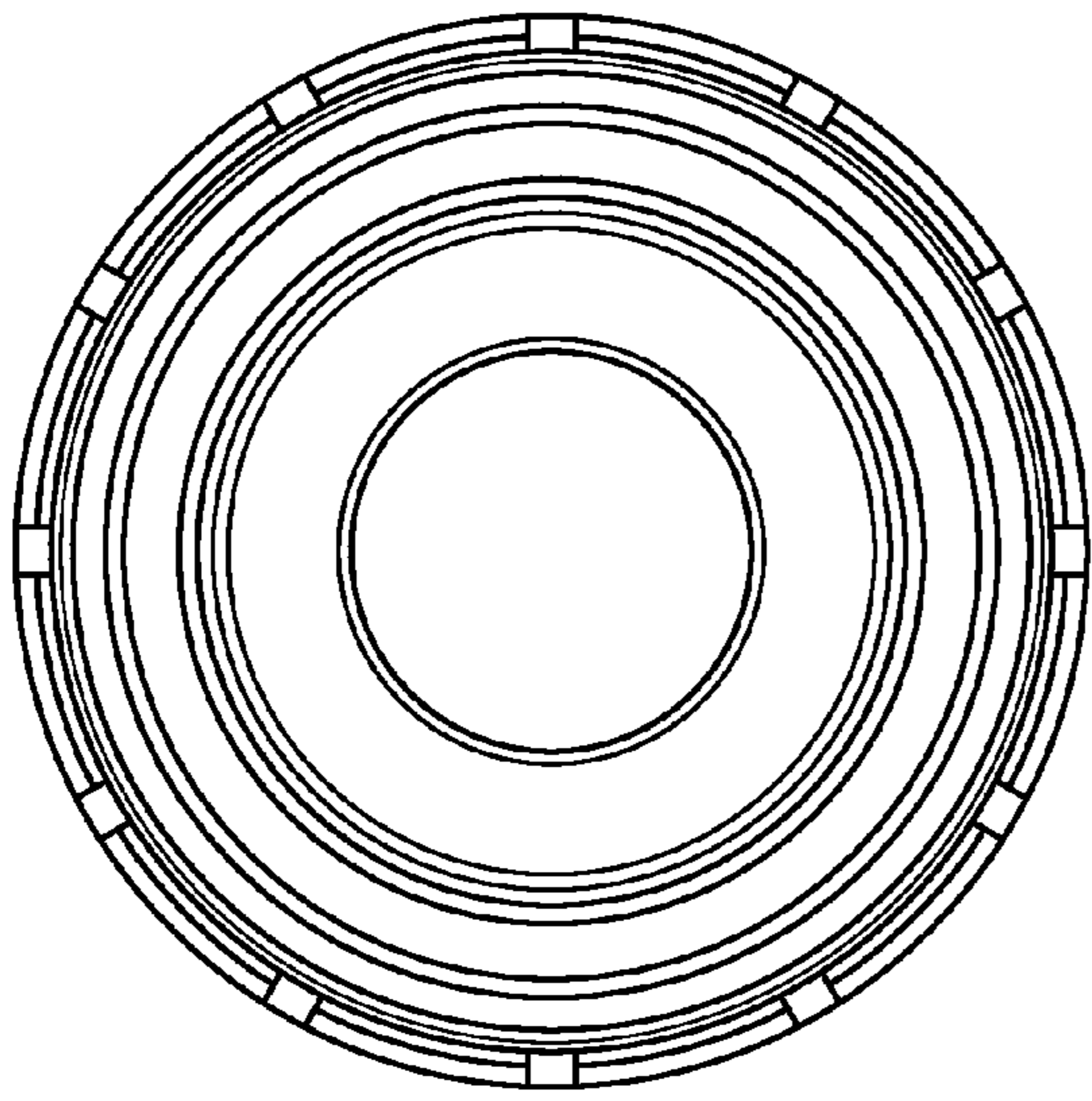
The ornamental design for a bottle adapter, as shown and described.

**DESCRIPTION**

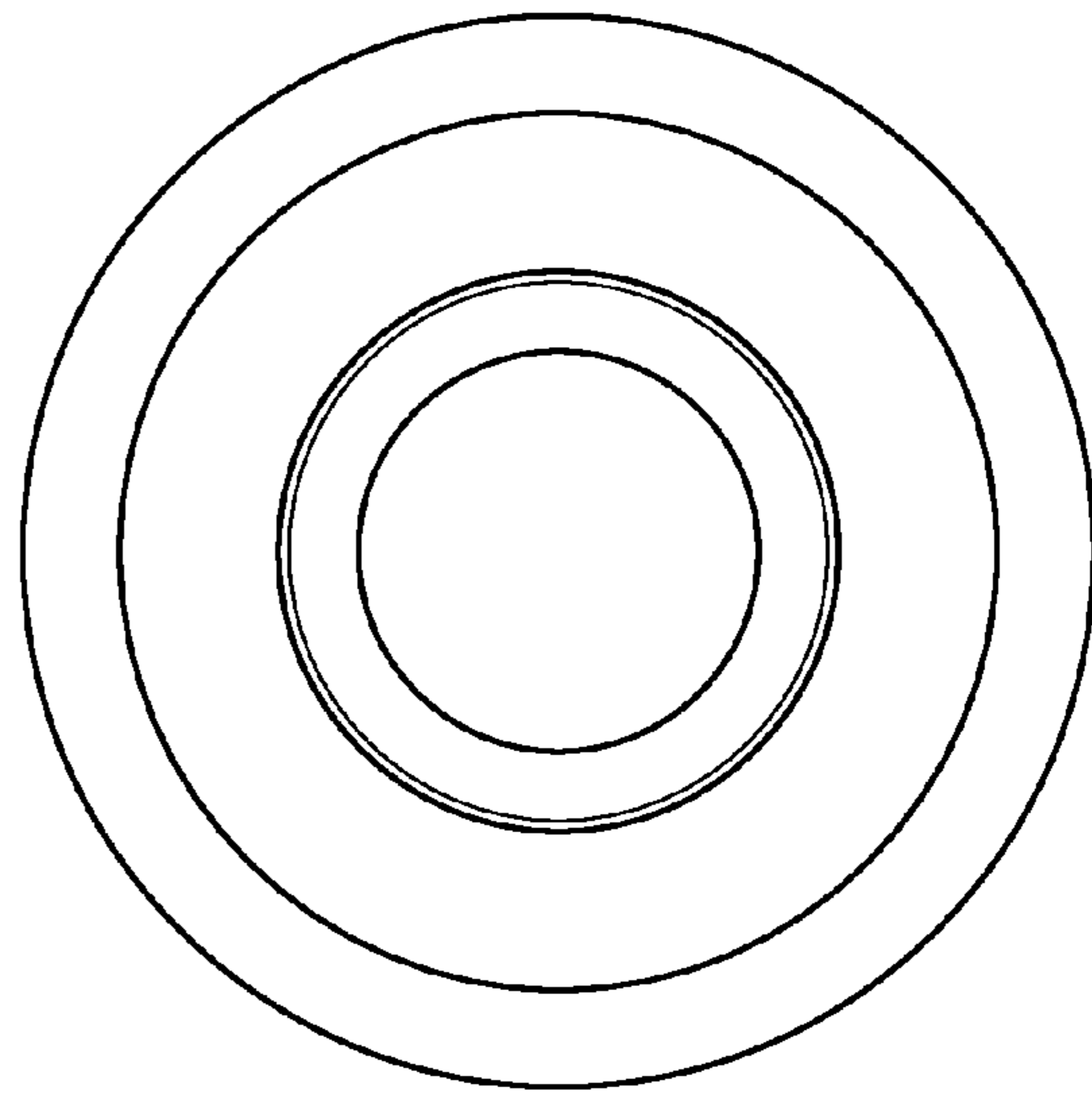
FIG. 1 is a first perspective view of my new invention;  
FIG. 2 is a front view thereof, a rear view being identical thereto;  
FIG. 3 is a top view thereof;  
FIG. 4 is a bottom view thereof; and,  
FIG. 5 is a second perspective view thereof.

**1 Claim, 1 Drawing Sheet**

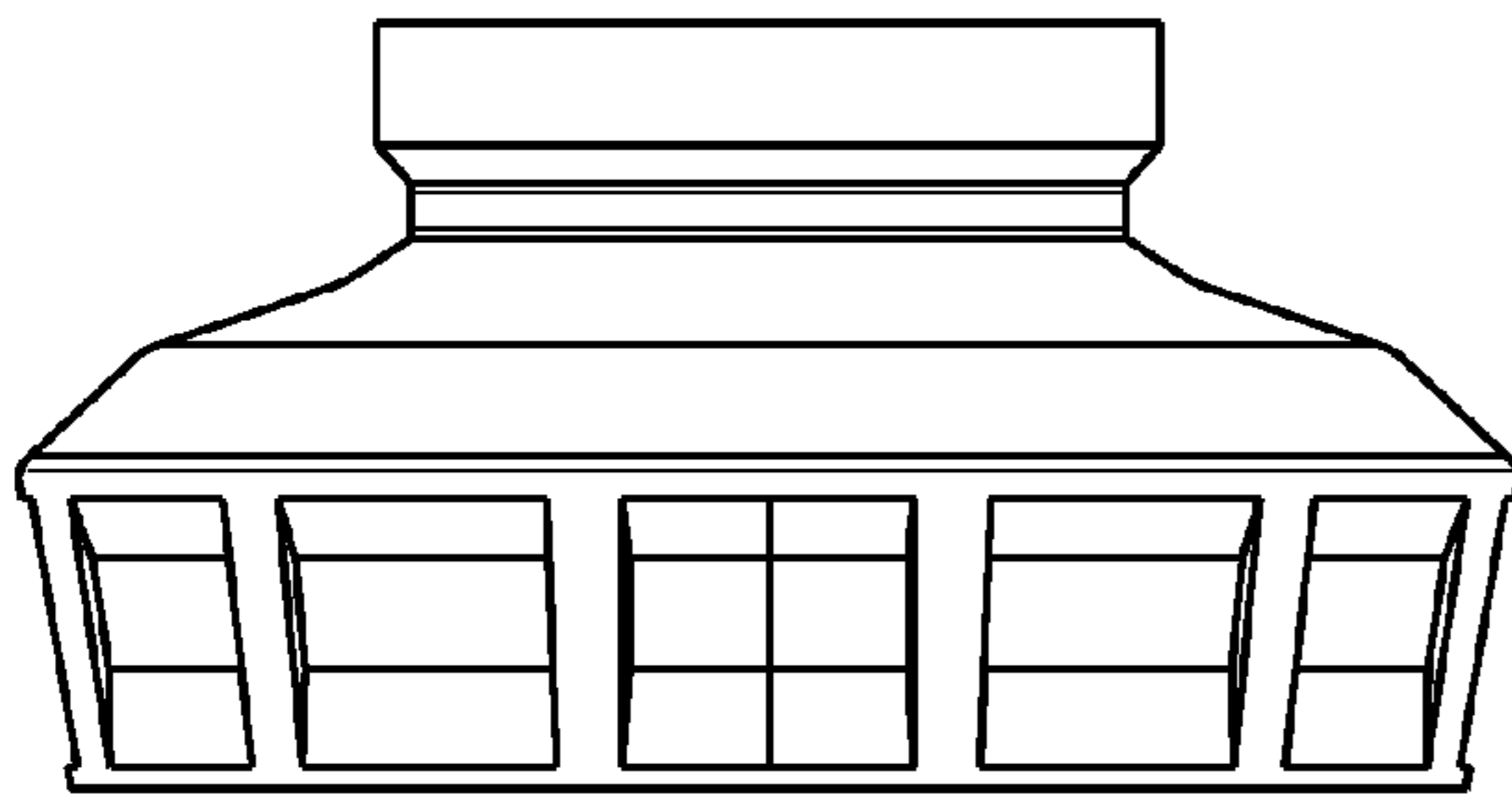




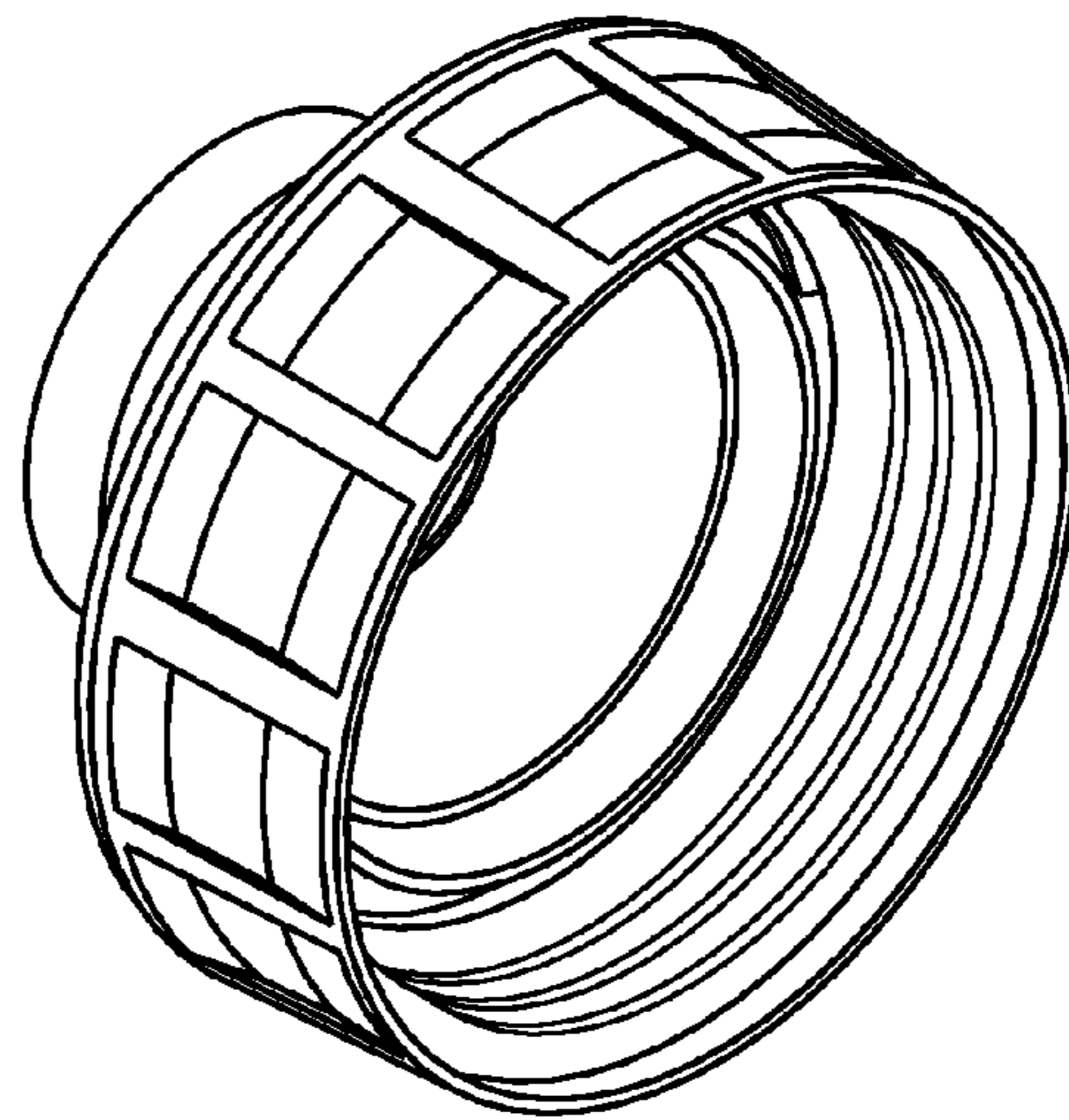
*Fig. 1*



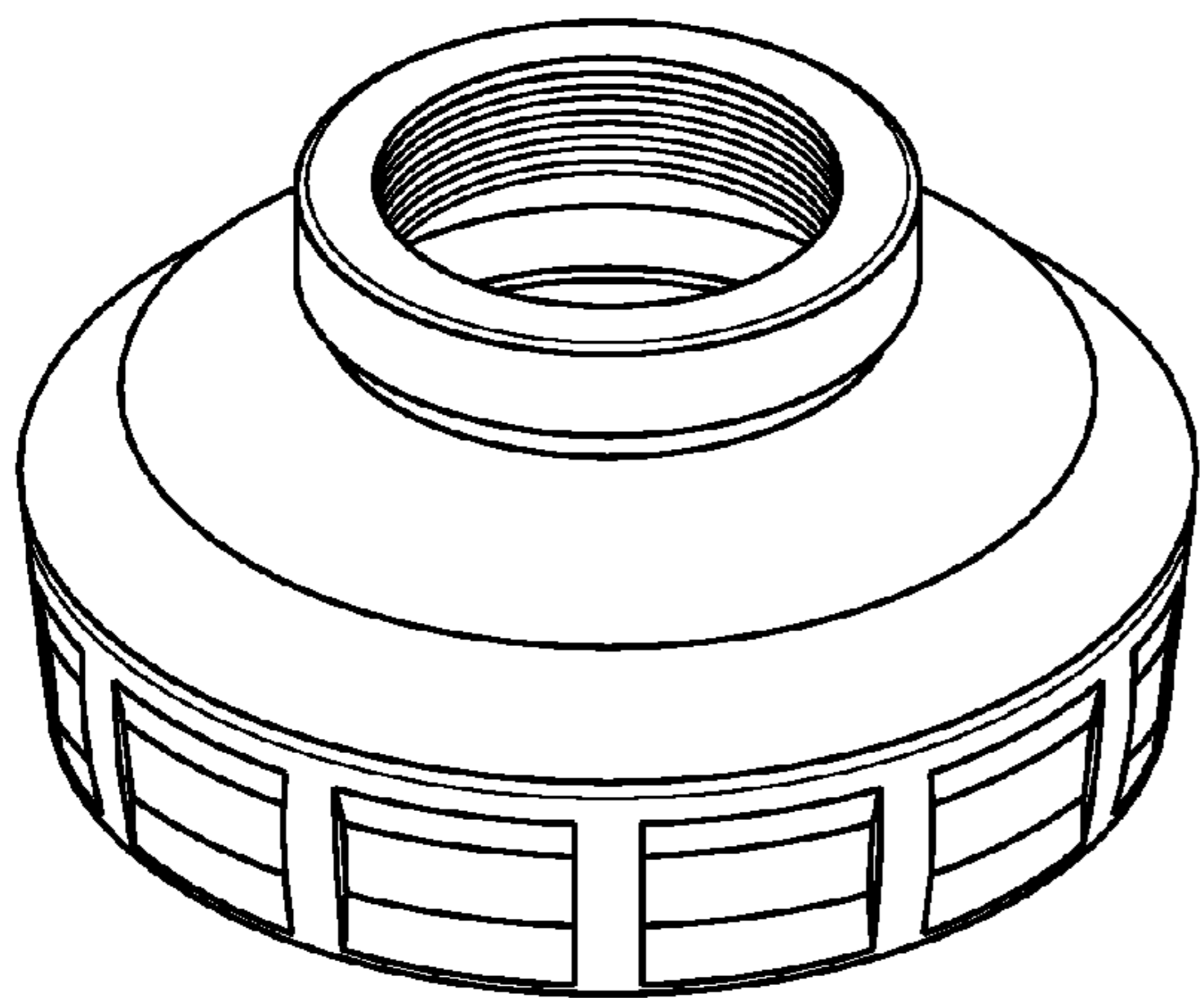
*Fig. 3*



*Fig. 2*



*Fig. 4*



*Fig. 5*